



US00D812535S

(12) **United States Design Patent**  
**Milton et al.**

(10) **Patent No.:** **US D812,535 S**  
(45) **Date of Patent:** **\*\* Mar. 13, 2018**

(54) **FRONT FENDER**

(71) Applicant: **Bluegentech LLC**, Salt Lake City, UT (US)

(72) Inventors: **Trevor R. Milton**, Salt Lake City, UT (US); **Steve Jennes**, Fullerton, CA (US)

(73) Assignee: **Nikola Corporation**, Salt Lake City, UT (US)

(\*\*) Term: **15 Years**

(21) Appl. No.: **29/550,176**

(22) Filed: **Dec. 30, 2015**

(51) **LOC (11) Cl.** ..... **12-16**

(52) **U.S. Cl.**  
USPC ..... **D12/181**

(58) **Field of Classification Search**  
USPC ..... D12/106, 181, 184; 180/89.1;  
296/193.11, 181.1  
CPC ..... B60J 11/00; B60J 1/10; B62D 25/105;  
B60R 2021/343  
See application file for complete search history.

(56) **References Cited**

**U.S. PATENT DOCUMENTS**

D545,253 S \* 6/2007 Jones ..... D12/106  
D546,253 S \* 7/2007 Lee ..... D12/106

D580,328 S \* 11/2008 Jones ..... D12/184  
D660,207 S \* 5/2012 Hanson ..... D12/184  
D699,650 S \* 2/2014 Peltola ..... D12/184  
D706,690 S \* 6/2014 Peltola ..... D12/184

\* cited by examiner

*Primary Examiner* — Daniel Bui

*Assistant Examiner* — Andrew Kerr

(74) *Attorney, Agent, or Firm* — Terrence J. Edwards;  
TechLaw Ventures, PLLC

(57) **CLAIM**

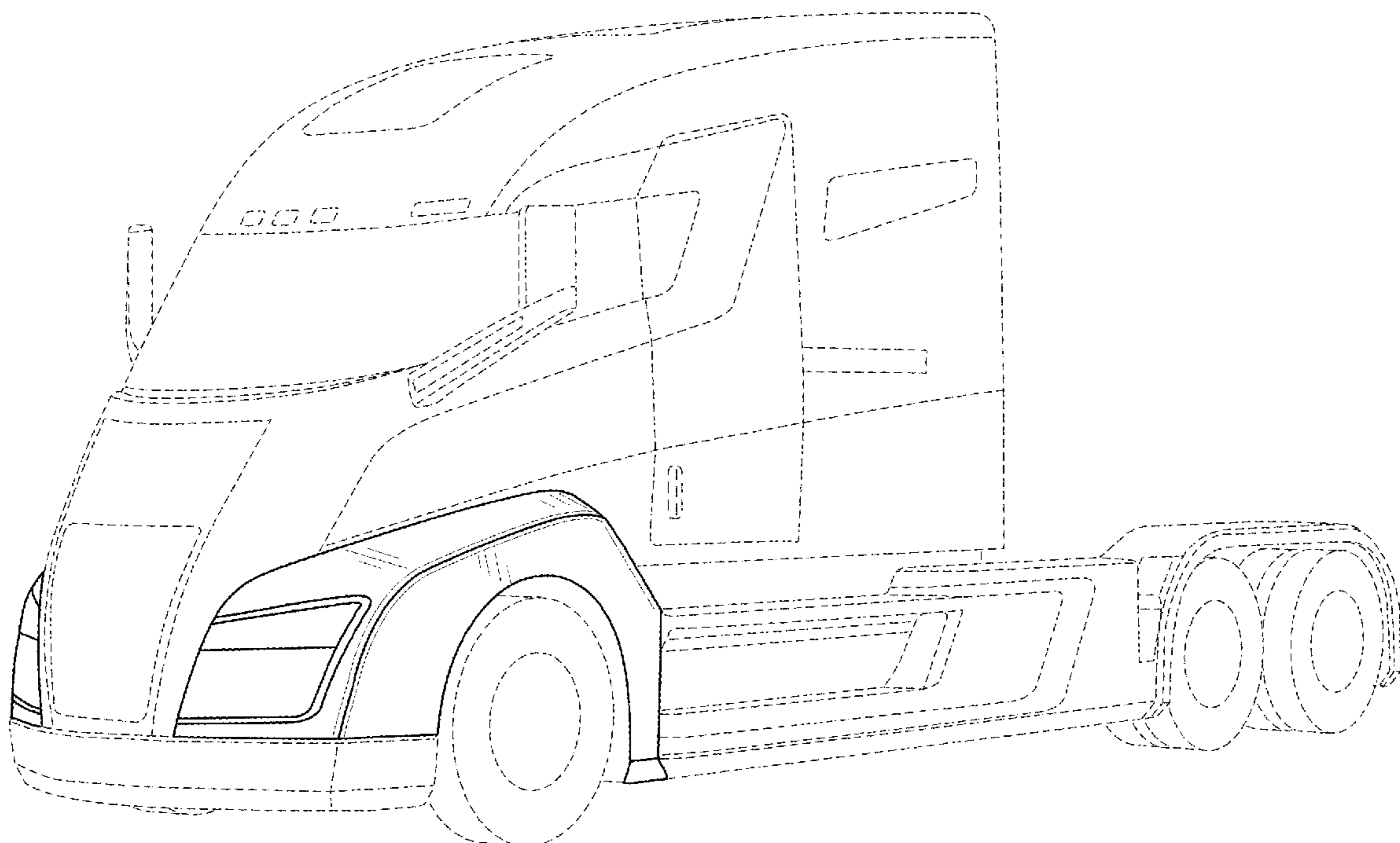
We claim the ornamental design for a front fender, as shown and described.

**DESCRIPTION**

FIG. 1 is a front and right perspective view for a front fender showing our new design;  
FIG. 2 is a top view thereof;  
FIG. 3 is a right side view thereof;  
FIG. 4 is a left side view thereof;  
FIG. 5 is a front view thereof; and,  
FIG. 6 is a rear and right side view thereof.

The broken lines in the drawing views represent unclaimed portions of a front fender, which are included for the purpose of illustrating unclaimed environment only, and forms no part of the claimed design.

**1 Claim, 6 Drawing Sheets**



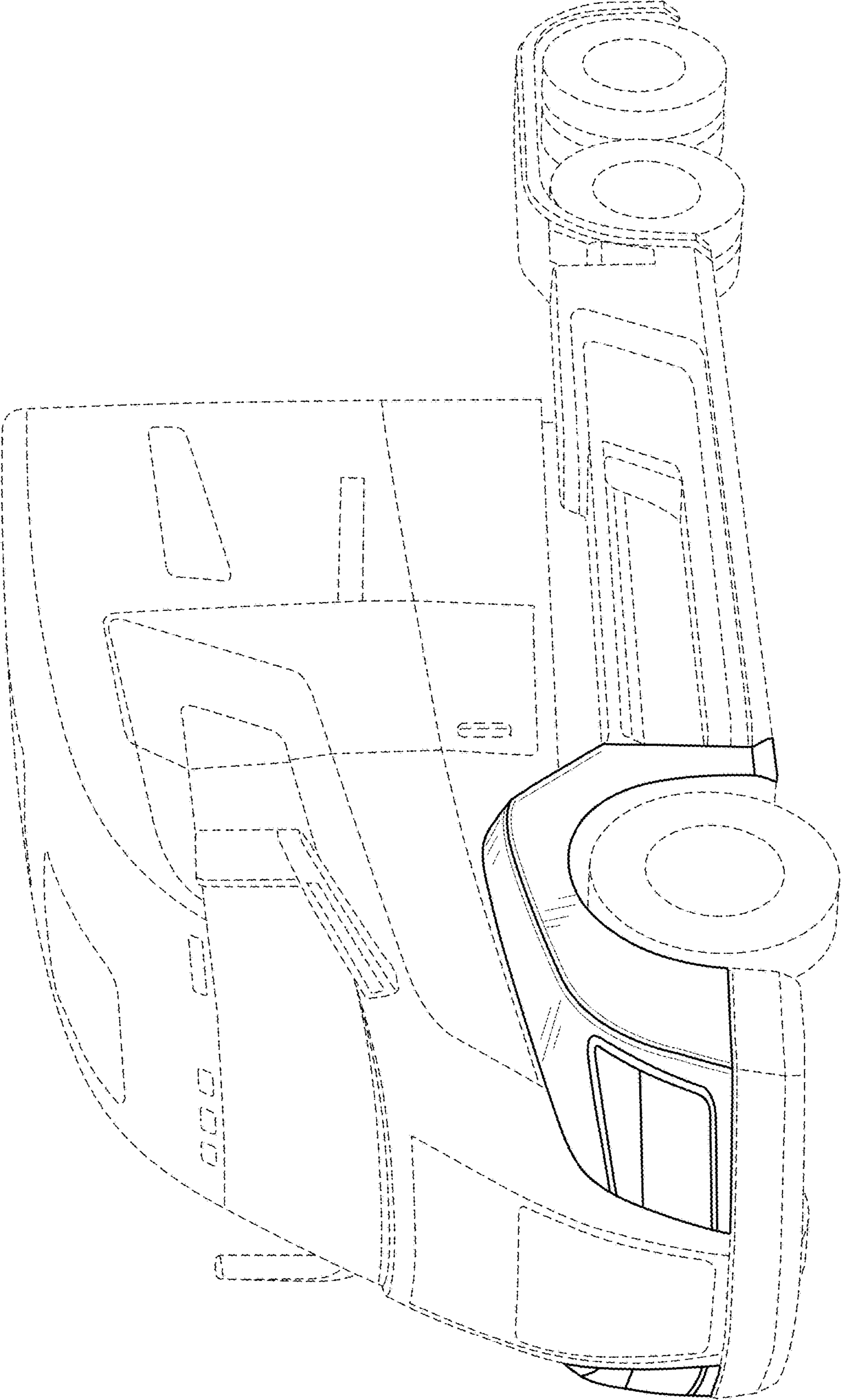


FIG. 1

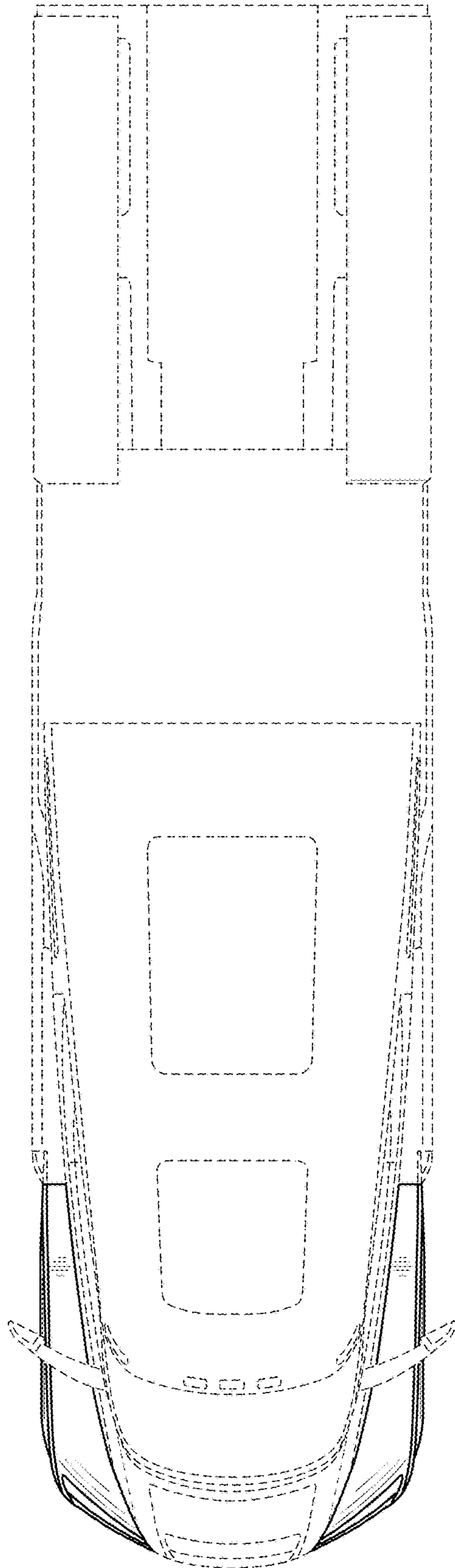


FIG. 2

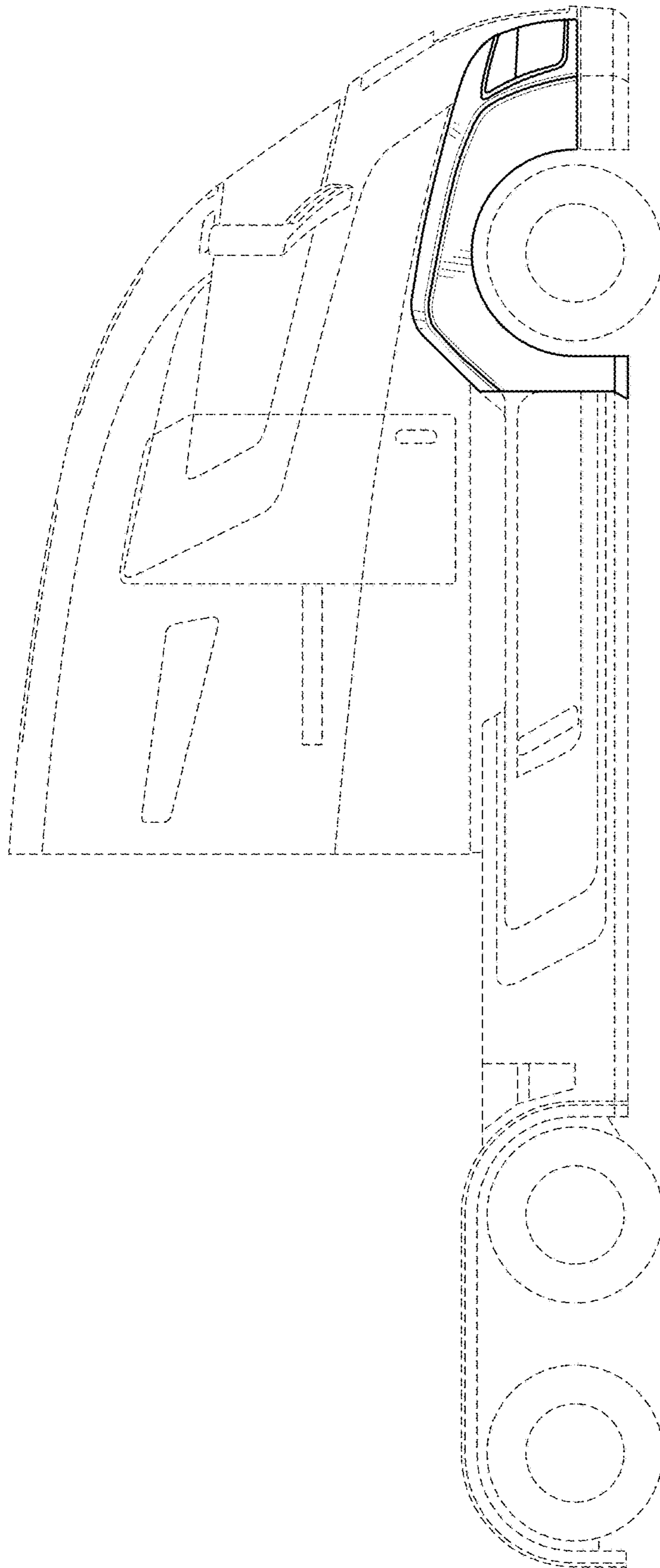
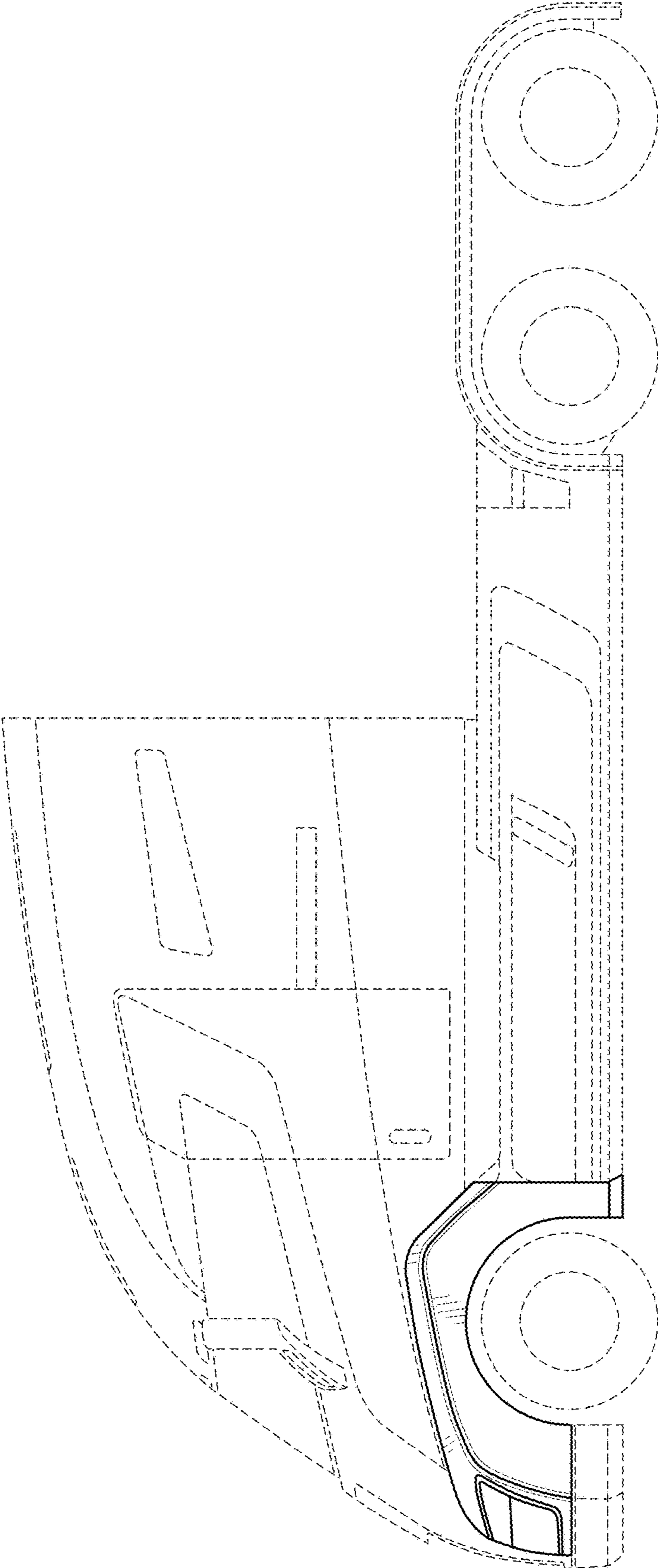
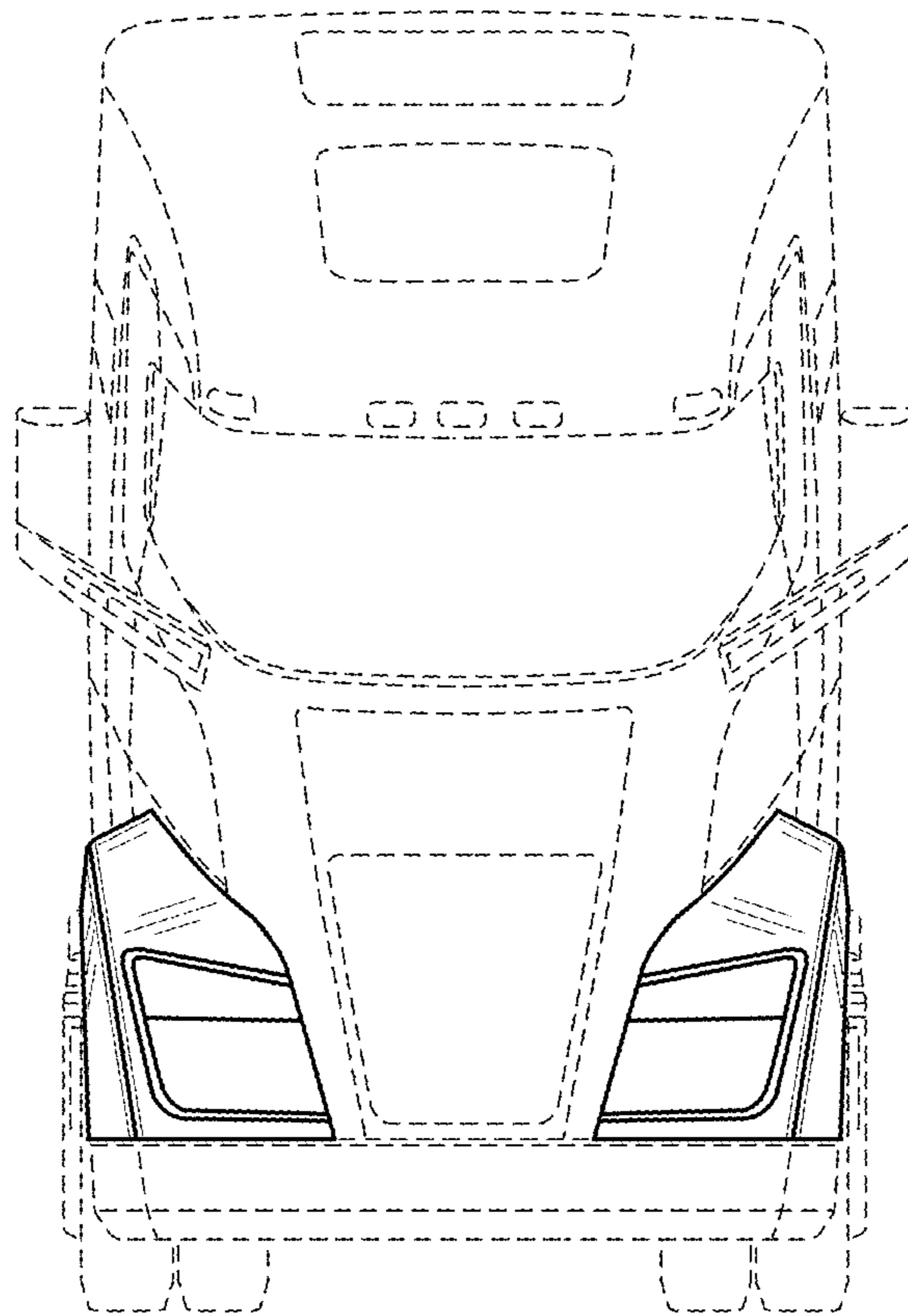


FIG. 3





**FIG. 4**



**FIG. 5**

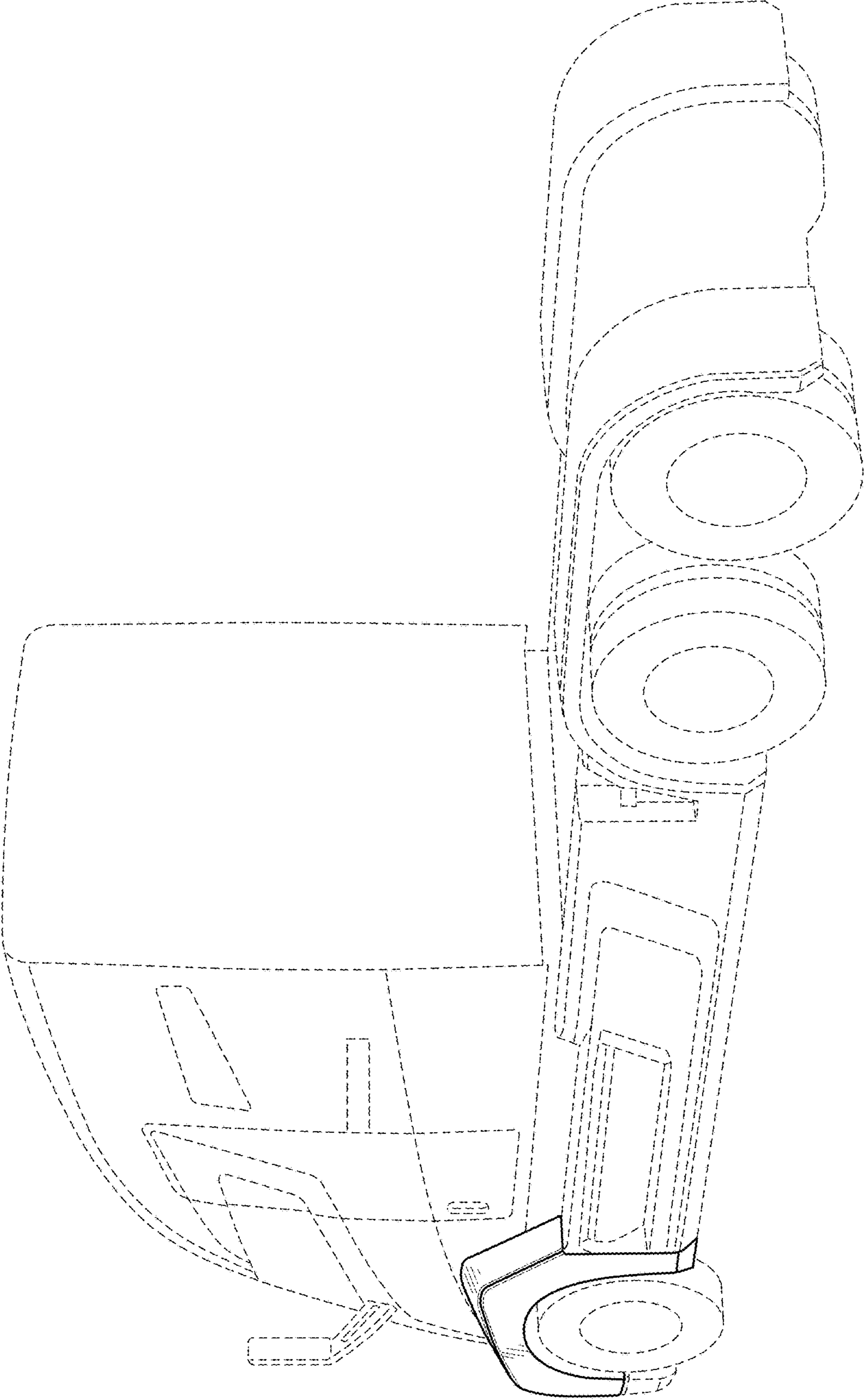


FIG. 6