



US00D812534S

(12) **United States Design Patent**
Scheibe et al.

(10) **Patent No.:** **US D812,534 S**
(45) **Date of Patent:** **** Mar. 13, 2018**

- (54) **BRAKE CALIPER HOUSING**
- (71) Applicant: **HB Performance Systems, Inc.**,
Mequon, WI (US)
- (72) Inventors: **Steve Scheibe**, Florence, WI (US); **Rod Weekley**, Mequon, WI (US); **Tim Osterberg**, Mequon, WI (US); **Kurt Person**, Cedarburg, WI (US)
- (73) Assignee: **HB PERFORMANCE SYSTEMS, INC.**, Mequon, WI (US)
- (**) Term: **15 Years**
- (21) Appl. No.: **29/539,264**
- (22) Filed: **Sep. 11, 2015**
- (51) **LOC (11) Cl.** **12-16**
- (52) **U.S. Cl.**
USPC **D12/180**
- (58) **Field of Classification Search**
USPC D12/107, 110, 114, 115, 117, 126, 160,
D12/174, 177, 180, 189, 223, 400, 401,
D12/404, 408, 415, 420, 423; D25/48.1,
D25/48.3
CPC . B60R 1/025; B60R 1/08; B62H 5/001; B62J
9/006; B65D 43/16; B65D 43/22; B65D
55/02; F16D 55/22; F16D 55/226; F16D
55/2262; F16D 65/14; F16D 65/16; F16D
65/18; F16D 65/22; F16D 65/38; F16D
65/56; F16D 65/567; F16D 66/02; F21S
48/00; G01S 13/931
See application file for complete search history.

- (56) **References Cited**
U.S. PATENT DOCUMENTS
3,450,056 A * 6/1969 Stark F04D 13/0613
310/86
5,518,062 A * 5/1996 Kobayashi B22C 9/10
164/137

- 6,047,795 A * 4/2000 Kobayashi F16D 55/22655
188/73.43
- 6,340,076 B1 * 1/2002 Tsuchiya F16D 55/227
188/71.1
- 6,478,121 B2 * 11/2002 Reeves F16D 55/2265
188/258

(Continued)

OTHER PUBLICATIONS

Brembo High Performance brake calipers, image post date Jul. 26, 2015, site visited Jun. 25, 2017, (online), <<https://web.archive.org/web/20150726021927/http://www.brembo.com/en/bike/sporting-use/calipers>>.*

(Continued)

Primary Examiner — Kevin Rudzinski
Assistant Examiner — Sean D Lough
(74) *Attorney, Agent, or Firm* — Michael Best & Friedrich LLP

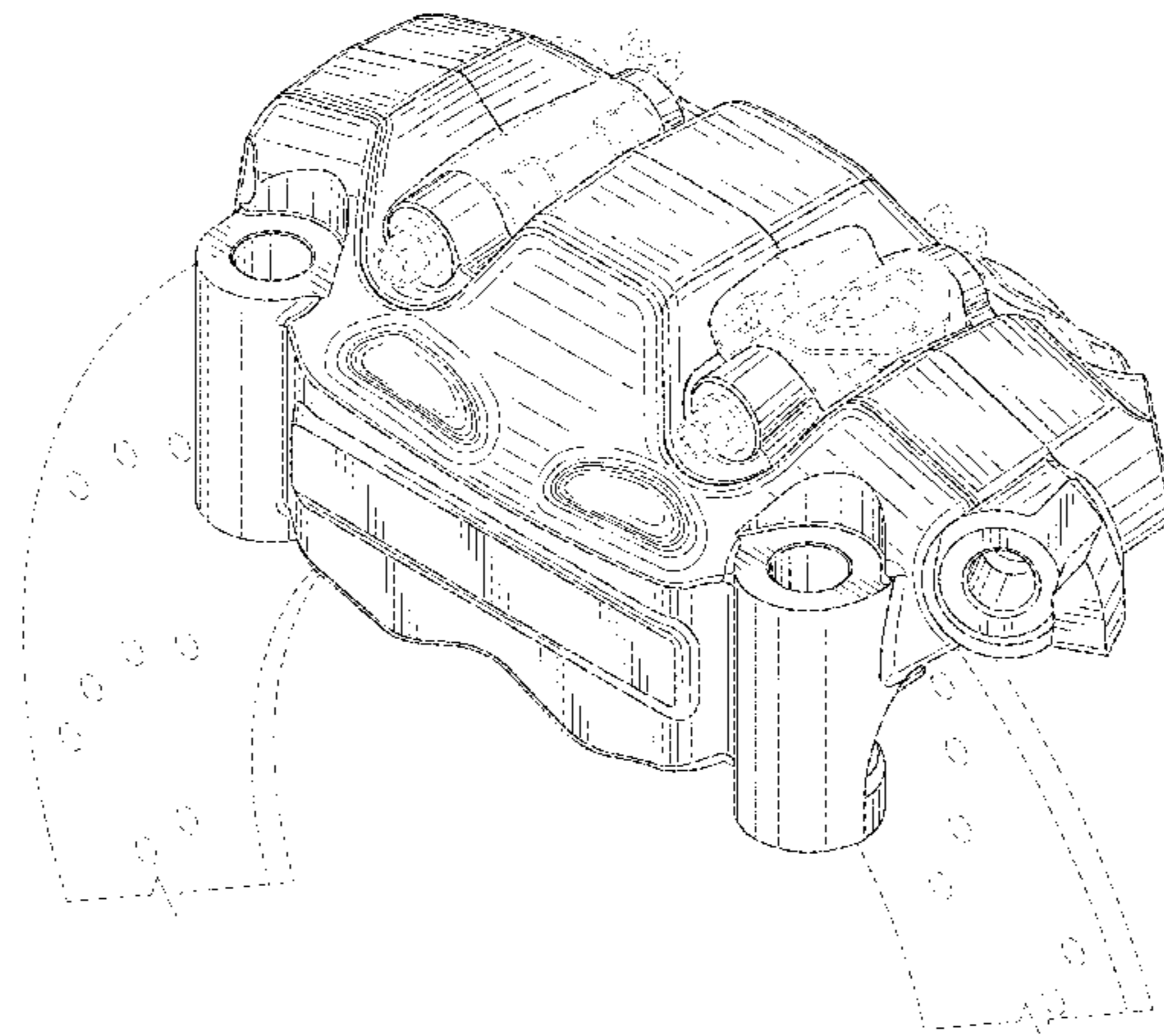
(57) **CLAIM**

We claim the ornamental design for a brake caliper housing, as shown and described.

DESCRIPTION

FIG. 1 is a perspective view of a brake caliper housing showing the present invention.
FIG. 2 is a right side view of the brake caliper housing shown in FIG. 1.
FIG. 3 is a left side view of the brake caliper housing shown in FIG. 1.
FIG. 4 is a rear view of the brake caliper housing shown in FIG. 1.
FIG. 5 is a front view of the brake caliper housing shown in FIG. 1.
FIG. 6 is a top view of the brake caliper housing shown in FIG. 1; and,
FIG. 7 is a bottom view of the brake caliper housing shown in FIG. 1.

(Continued)



The broken lines show the environment of the claimed design and form no part of the claimed design.

1 Claim, 4 Drawing Sheets

(56)

References Cited

U.S. PATENT DOCUMENTS

6,585,086	B2 *	7/2003	Ortegren	F16D 65/183	188/71.1
6,659,235	B2 *	12/2003	Ortegren	F16D 65/183	188/71.1
7,331,430	B2 *	2/2008	Valvano	F16D 55/226	188/71.1
7,377,368	B2 *	5/2008	Schog	F16D 65/095	188/253
D600,613	S *	9/2009	Jungmann	D12/180	
D621,417	S *	8/2010	McGarry	D12/126	
D642,100	S *	7/2011	Crippa	D12/180	
8,230,831	B2 *	7/2012	Persson	F01L 1/181	123/90.16
D700,561	S *	3/2014	Glaeser	D12/194	
9,115,654	B2 *	8/2015	Schnell	F01L 1/181	
9,360,066	B2 *	6/2016	Zenzen	B23P 15/18	
9,388,870	B2 *	7/2016	Cesani		
2007/0170018	A1 *	7/2007	Alexander	F16D 65/0976	188/72.3
2008/0169162	A1 *	7/2008	Negishi	F16D 55/02	188/251 A
2010/0012443	A1 *	1/2010	Paul	F16D 55/228	188/73.46

2012/0067678	A1 *	3/2012	Andrews	F16D 55/227	188/206 A
2013/0220210	A1 *	8/2013	Malki	F16D 66/02	116/28 R
2014/0251737	A1 *	9/2014	Nanri	B60T 1/065	188/72.5
2014/0262638	A1 *	9/2014	Scheibe	F16D 65/0075	188/73.47
2015/0021125	A1 *	1/2015	Nessi	F16D 55/228	188/72.5
2015/0144096	A1 *	5/2015	Meneely	F01L 1/181	123/321
2015/0184707	A1 *	7/2015	Yasuda	F16D 65/18	188/72.1
2015/0233438	A1 *	8/2015	Atsuta	F16D 65/0068	188/73.31
2016/0114849	A1 *	4/2016	Mingola	B62J 23/00	280/304.3
2017/0074338	A1 *	3/2017	Fischl	F16D 65/092	
2017/0167553	A1 *	6/2017	Sim	F16D 65/18	

OTHER PUBLICATIONS

2010-2014 Mustang Brake Calipers, image post date 2010-2014, site visited Jun. 25, 2017, (online), <<http://www.americanmuscle.com/mustang-brake-accessories-1112.html>>.*

Honda Civic Front Brake Kits, image post date 1998, site visited Jun. 25, 2017, (online), <<http://www.wilwood.com/BrakeKits/BrakeKitListFront.aspx?year=1998&make=Honda&model=Civic&modoption=Hb%20All>>.*

* cited by examiner

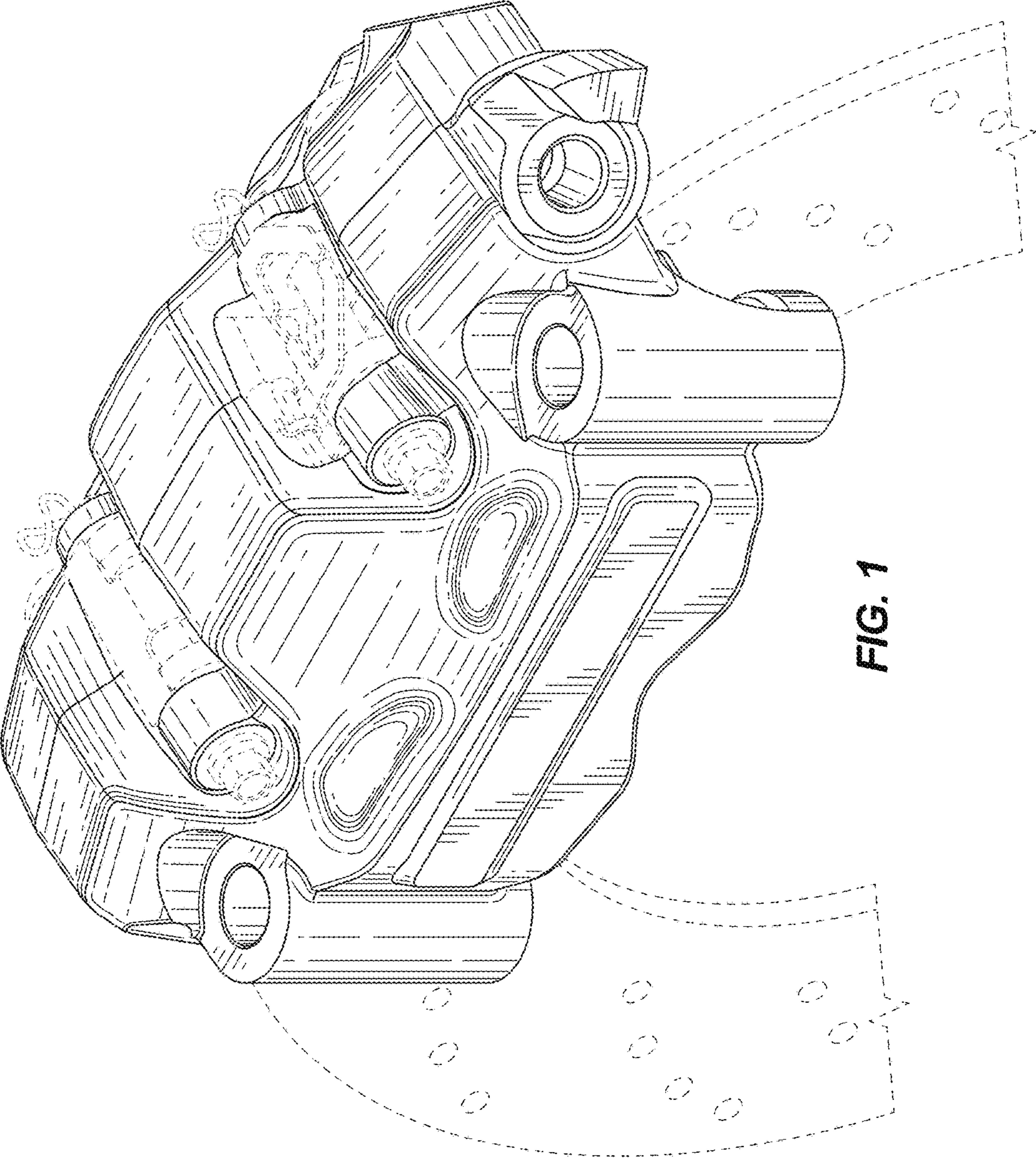


FIG. 1

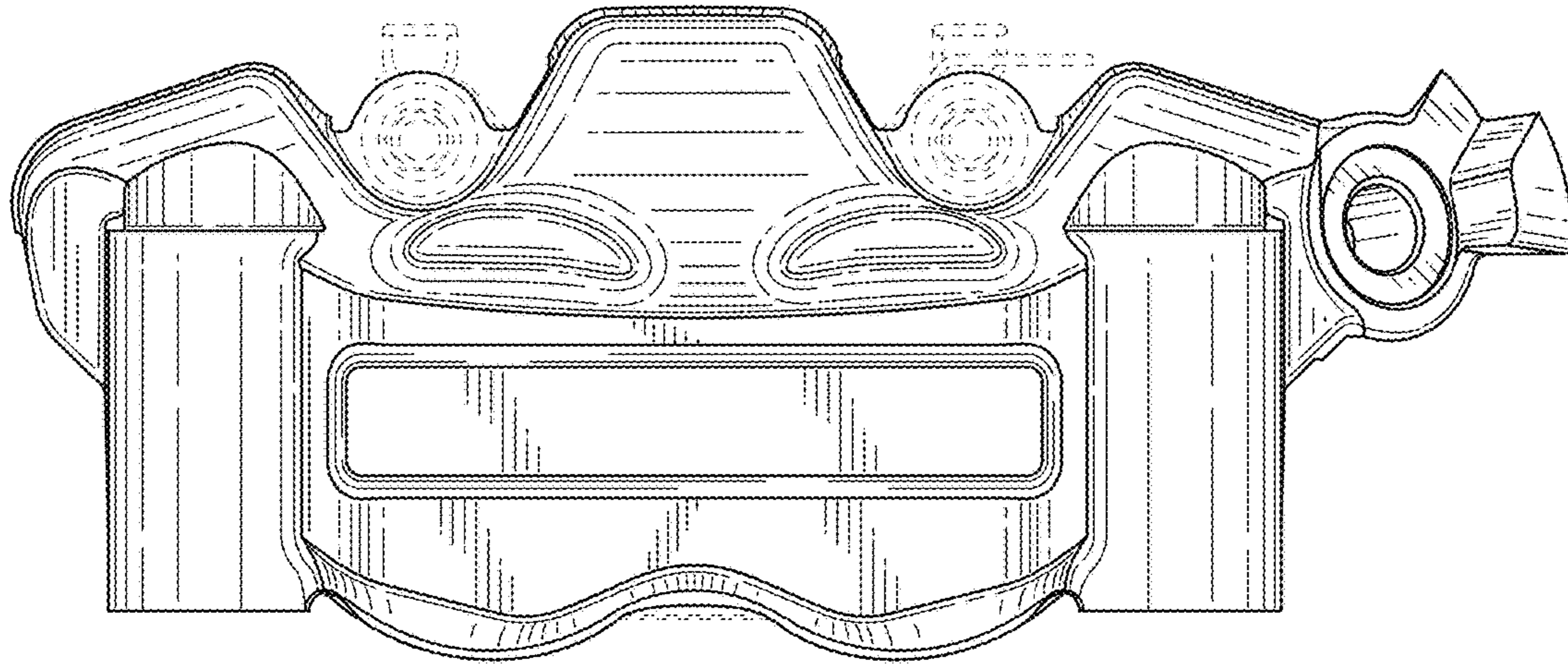


FIG. 2

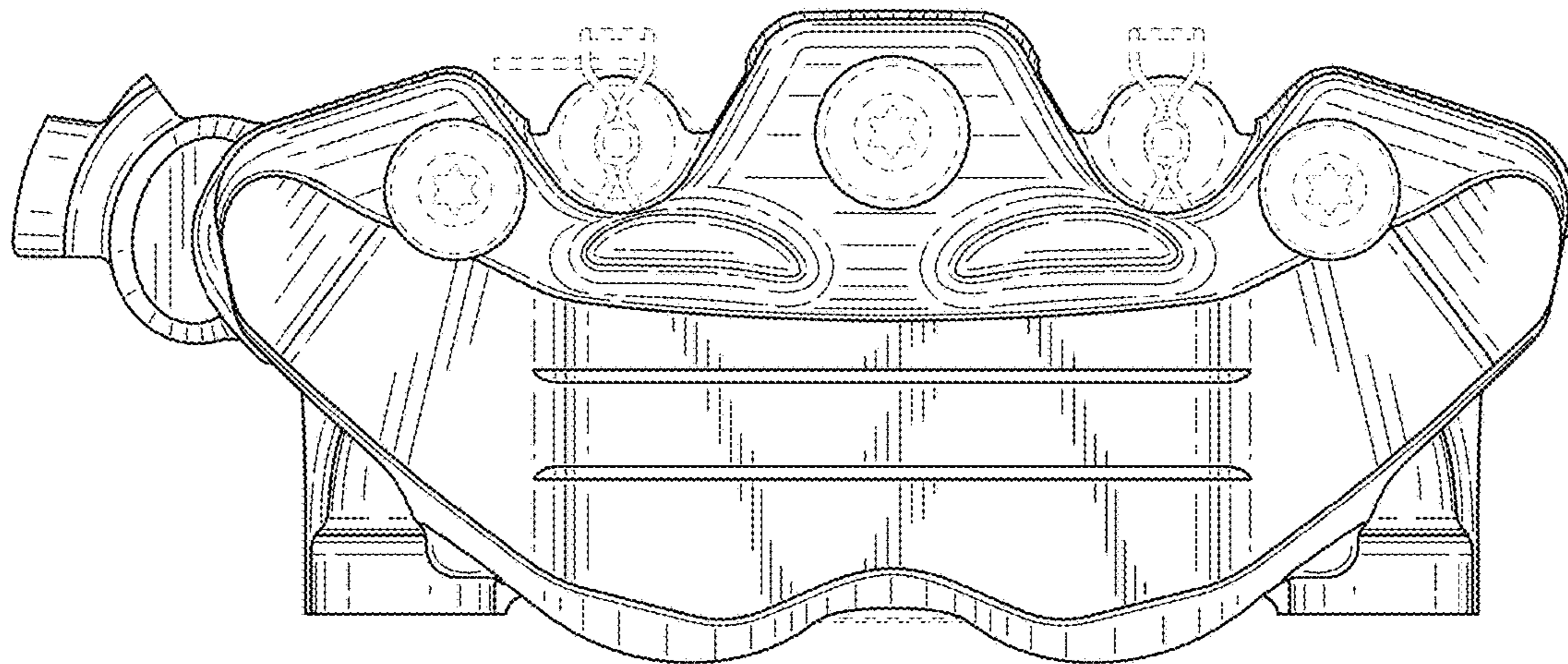


FIG. 3

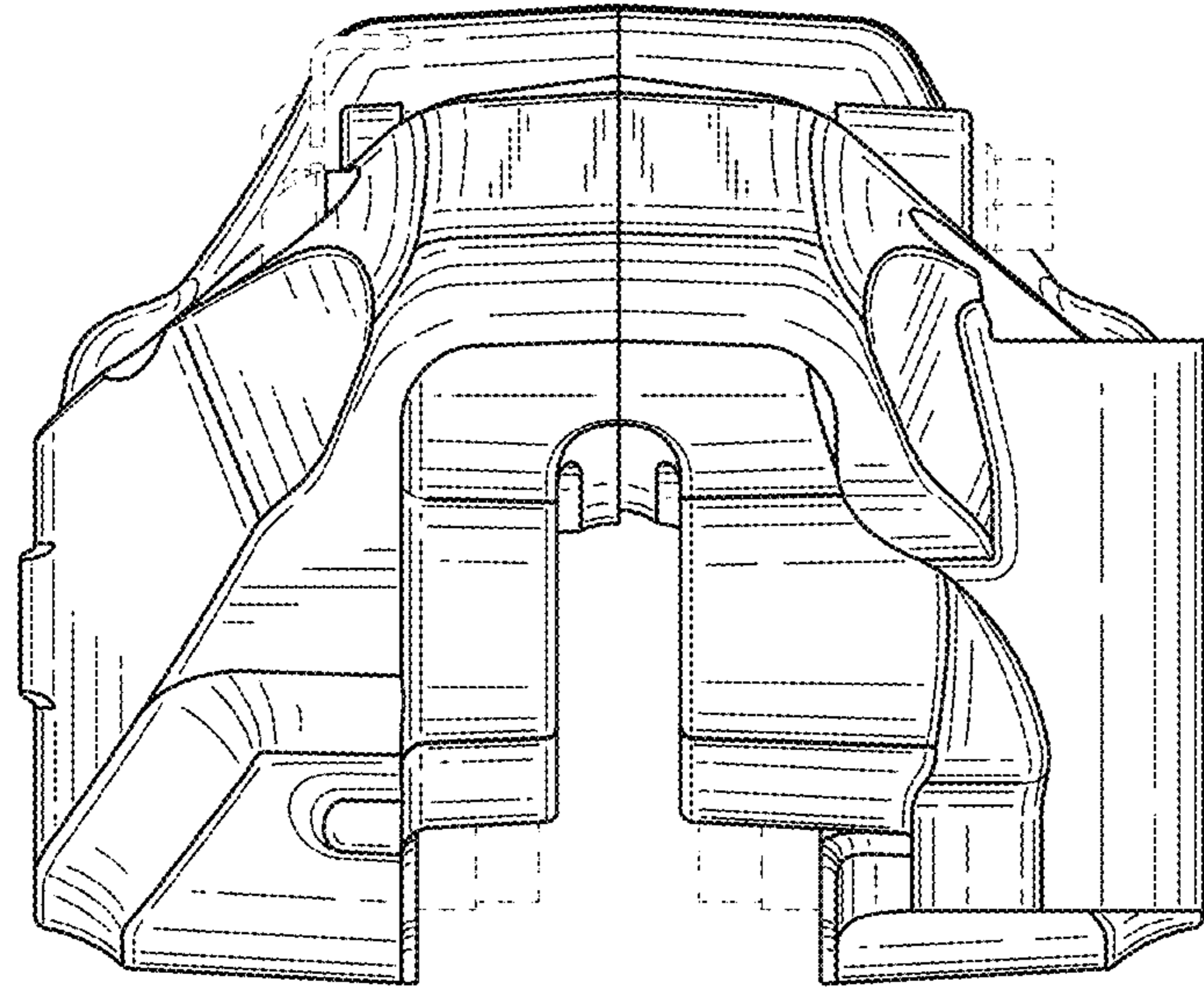


FIG. 4

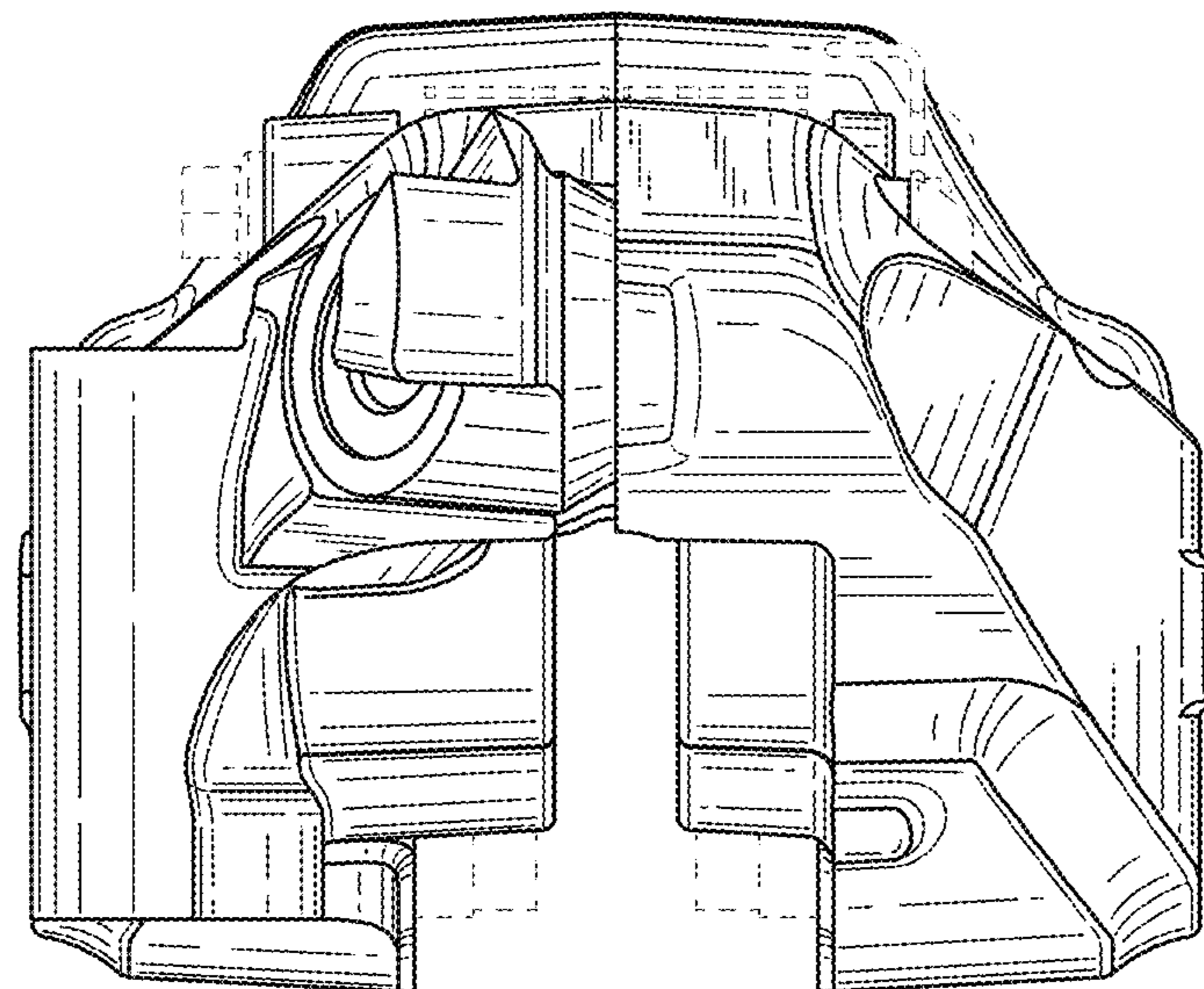


FIG. 5

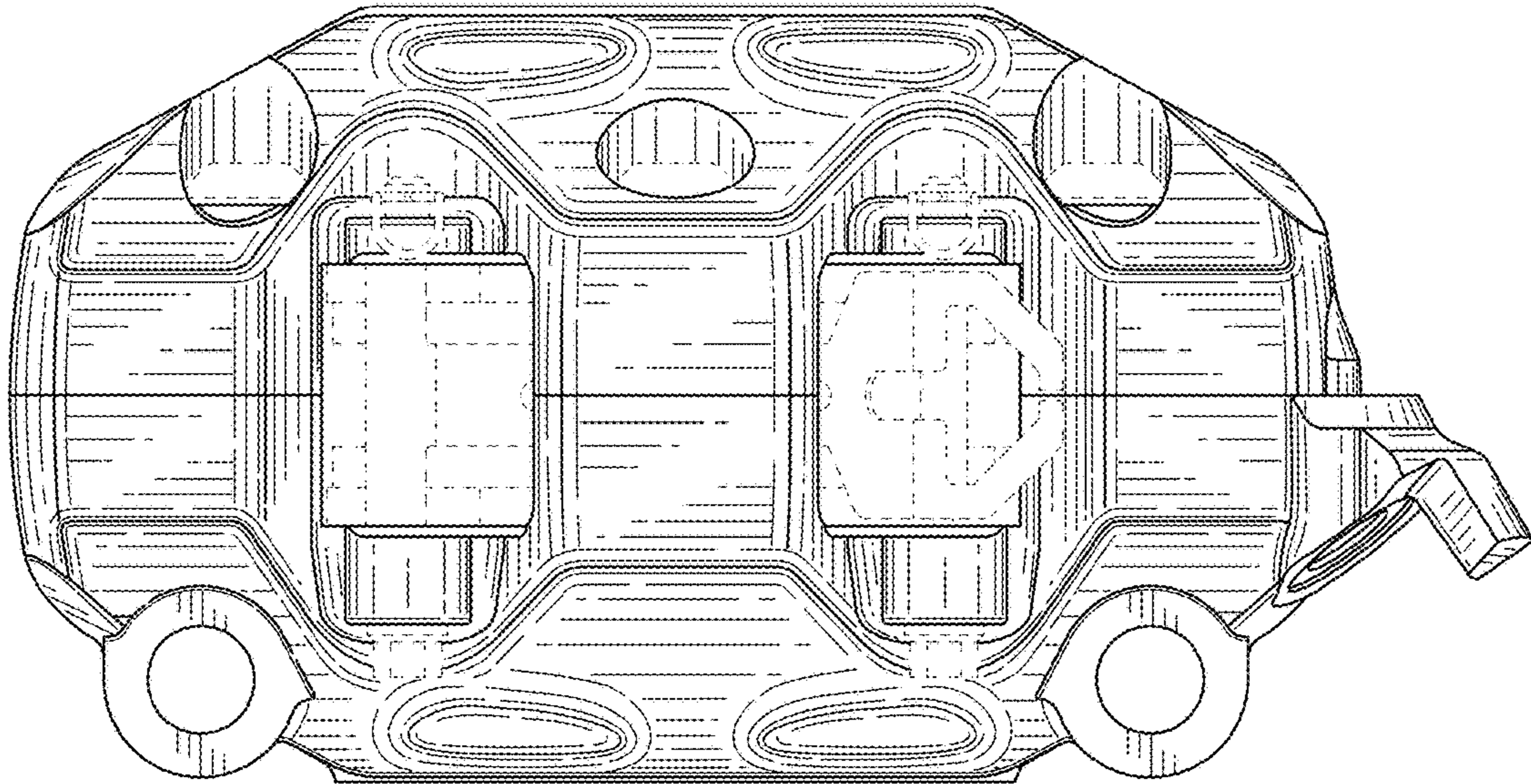


FIG. 6

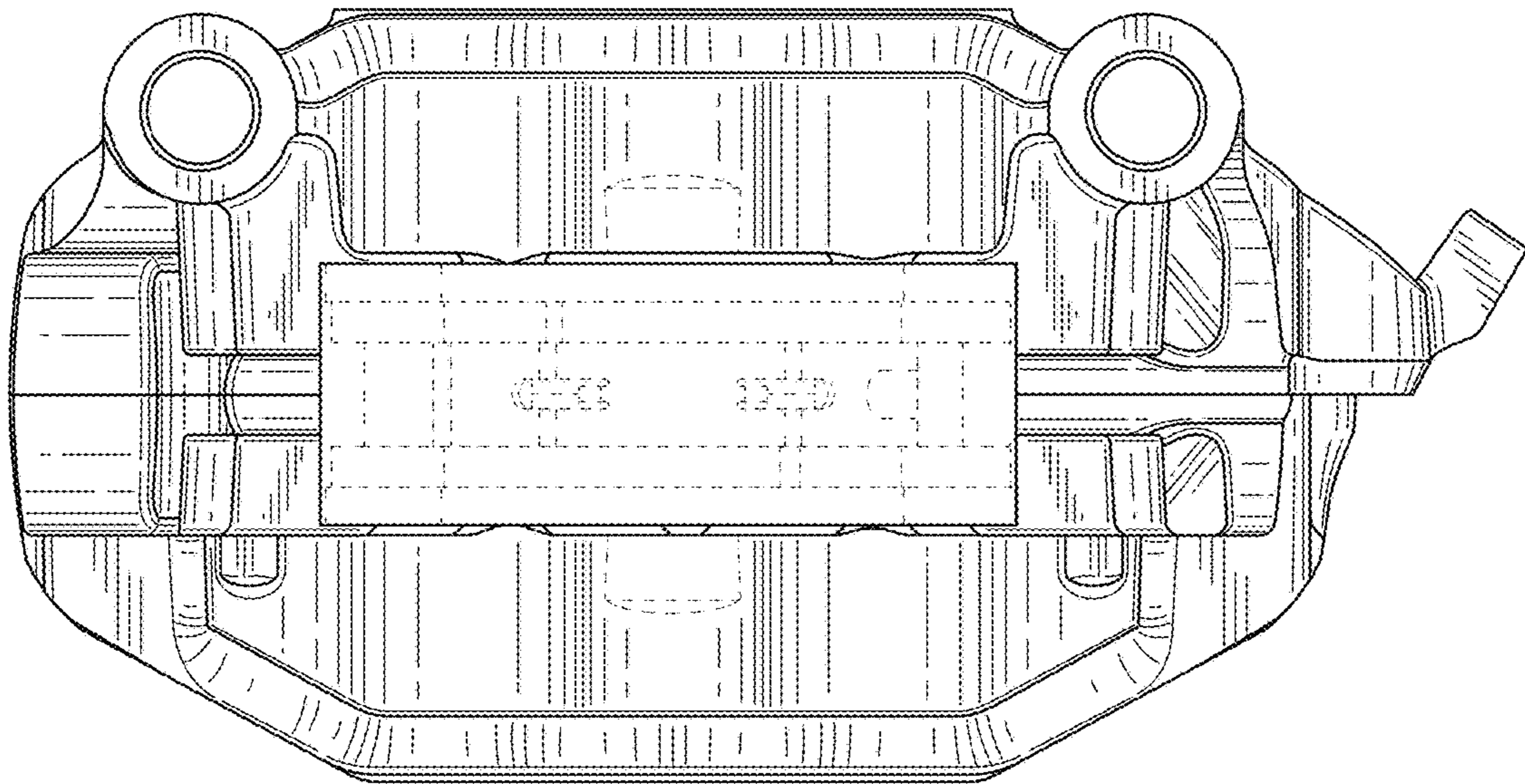


FIG. 7