



US00D812533S

(12) **United States Design Patent**
Lee et al.

(10) **Patent No.:** **US D812,533 S**
(45) **Date of Patent:** **** *Mar. 13, 2018**

(54) **WHEEL CONTROLLER FOR VEHICLES**

CPC G05G 1/105; G05G 1/025; G05G 1/10;
G05G 5/03; G05G 1/01; G05G 1/015;
G05G 1/02; G05G 1/08; G05G 25/04

(71) Applicant: **LG ELECTRONICS INC.**, Seoul
(KR)

See application file for complete search history.

(72) Inventors: **Younghwan Lee**, Seoul (KR); **Saekyu Park**, Seoul (KR); **Chulbae Lee**, Seoul (KR)

(56) **References Cited**

U.S. PATENT DOCUMENTS

(73) Assignee: **LG ELECTRONICS INC.**, Seoul
(KR)

D378,512 S *	3/1997	Lee	D13/168
D695,405 S *	12/2013	Moon	D24/158
D698,357 S *	1/2014	Mainville	D12/174
D728,530 S *	5/2015	Shin	D14/218
D788,077 S *	5/2017	Ducret	D14/218
D791,134 S *	7/2017	Chu	D14/388

(*) Notice: This patent is subject to a terminal disclaimer.

* cited by examiner

(**) Term: **15 Years**

Primary Examiner — Michael A. Pratt

(21) Appl. No.: **35/501,438**

(74) *Attorney, Agent, or Firm* — Birch, Stewart, Kolasch & Birch, LLP

(22) Filed: **Feb. 26, 2016**

(57) **CLAIM**

The ornamental design for a wheel controller for vehicles, as shown and described.

(80) **Hague Agreement Data**

Int. Filing Date: **Feb. 26, 2016**

Int. Reg. No.: **DM/091160**

Int. Reg. Date: **Feb. 26, 2016**

Int. Reg. Pub. Date: **Aug. 26, 2016**

DESCRIPTION

(30) **Foreign Application Priority Data**

Aug. 27, 2015 (KR) 30-2015-0043169

(51) **LOC (11) Cl.** **12-16**

(52) **U.S. Cl.**
USPC **D12/174**

(58) **Field of Classification Search**
USPC D12/174; D21/566; D14/411, 412, 413

1. Wheel controller for vehicles

1.1 : Perspective

1.2 : Front

1.3 : Back

1.4 : Left

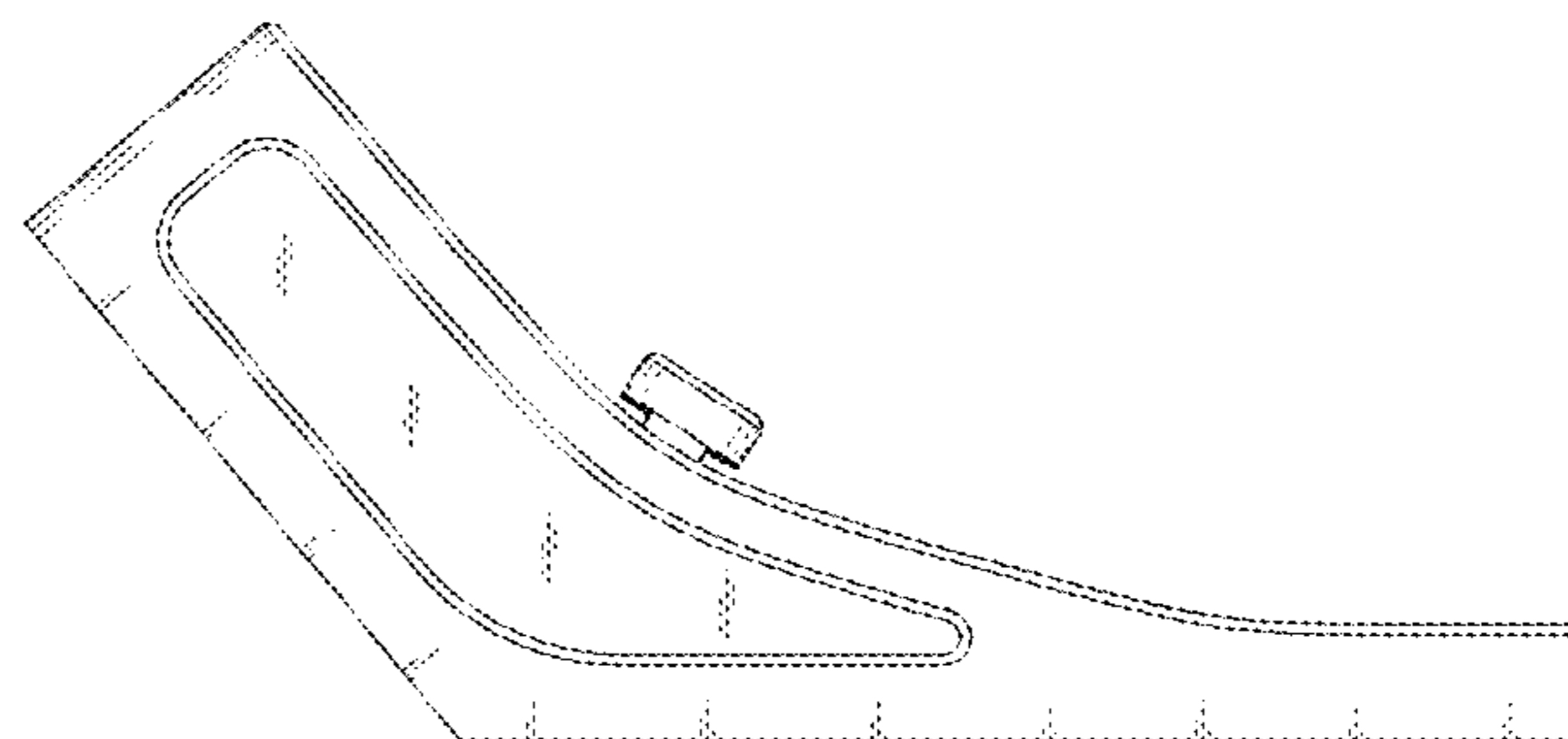
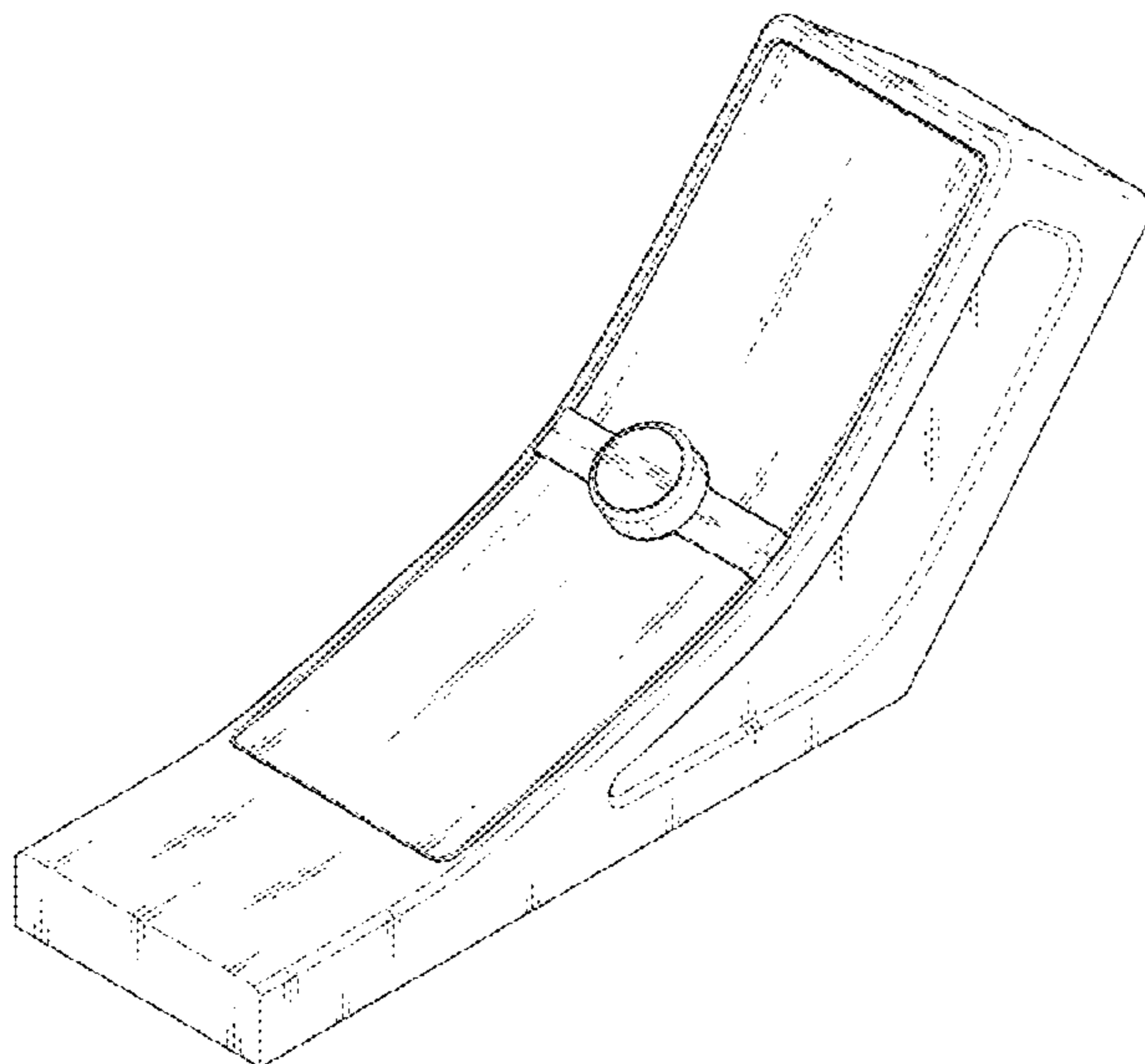
1.5 : Right

1.6 : Top

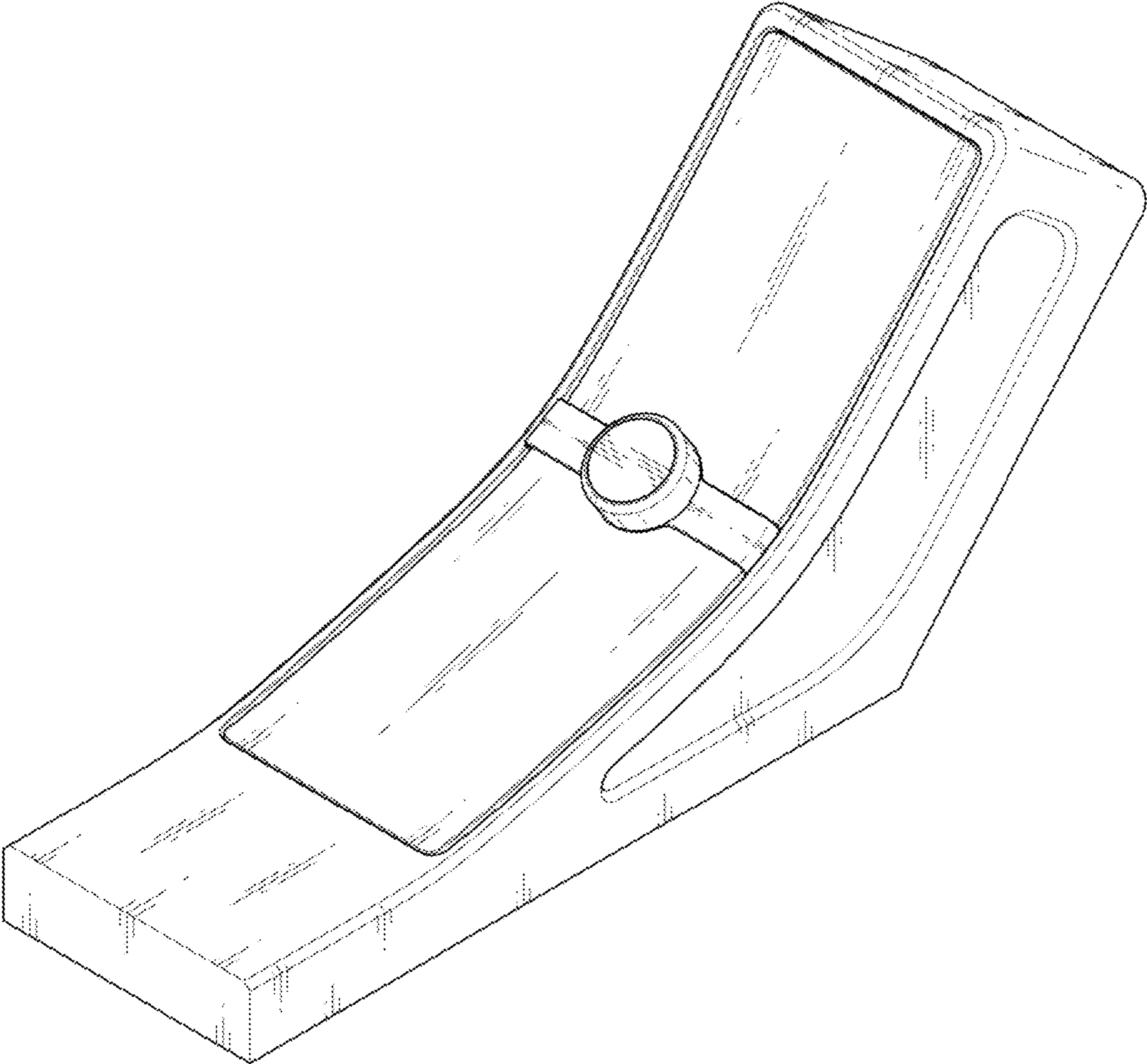
1.7 : Bottom

The gist of the present ornamental design is a combination of shape and pattern of a wheel controller for vehicles, as shown and described.

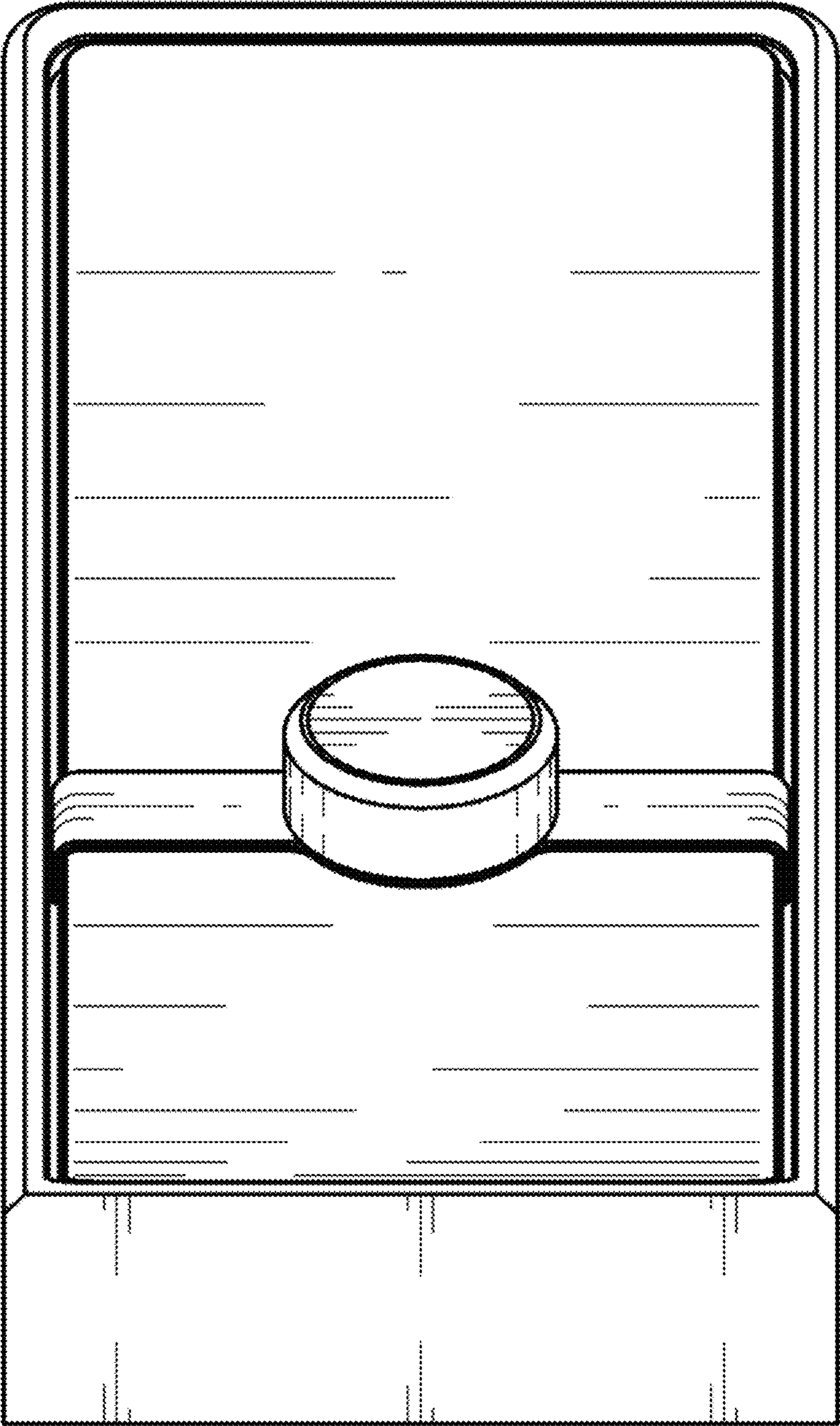
1 Claim, 7 Drawing Sheets



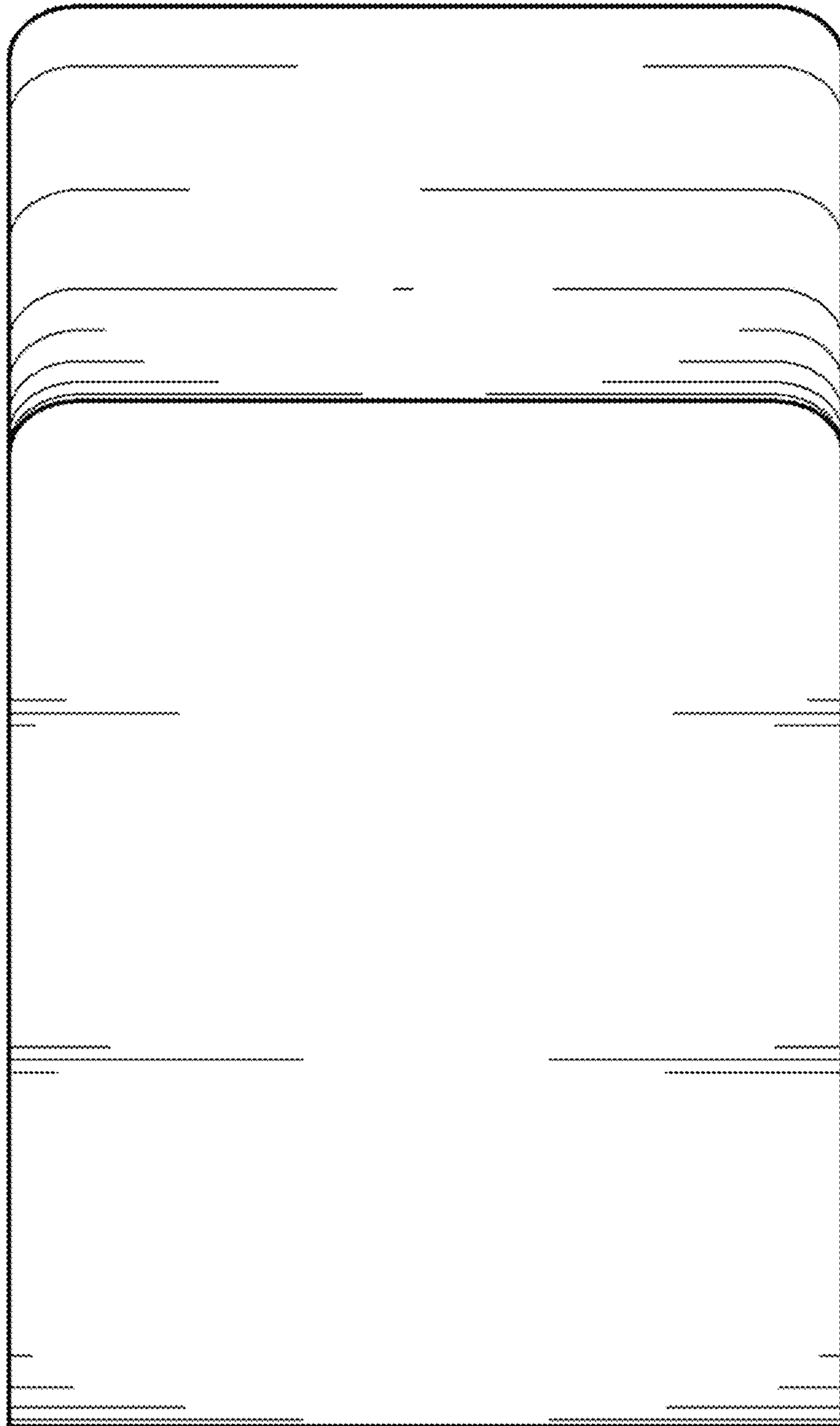
1.1



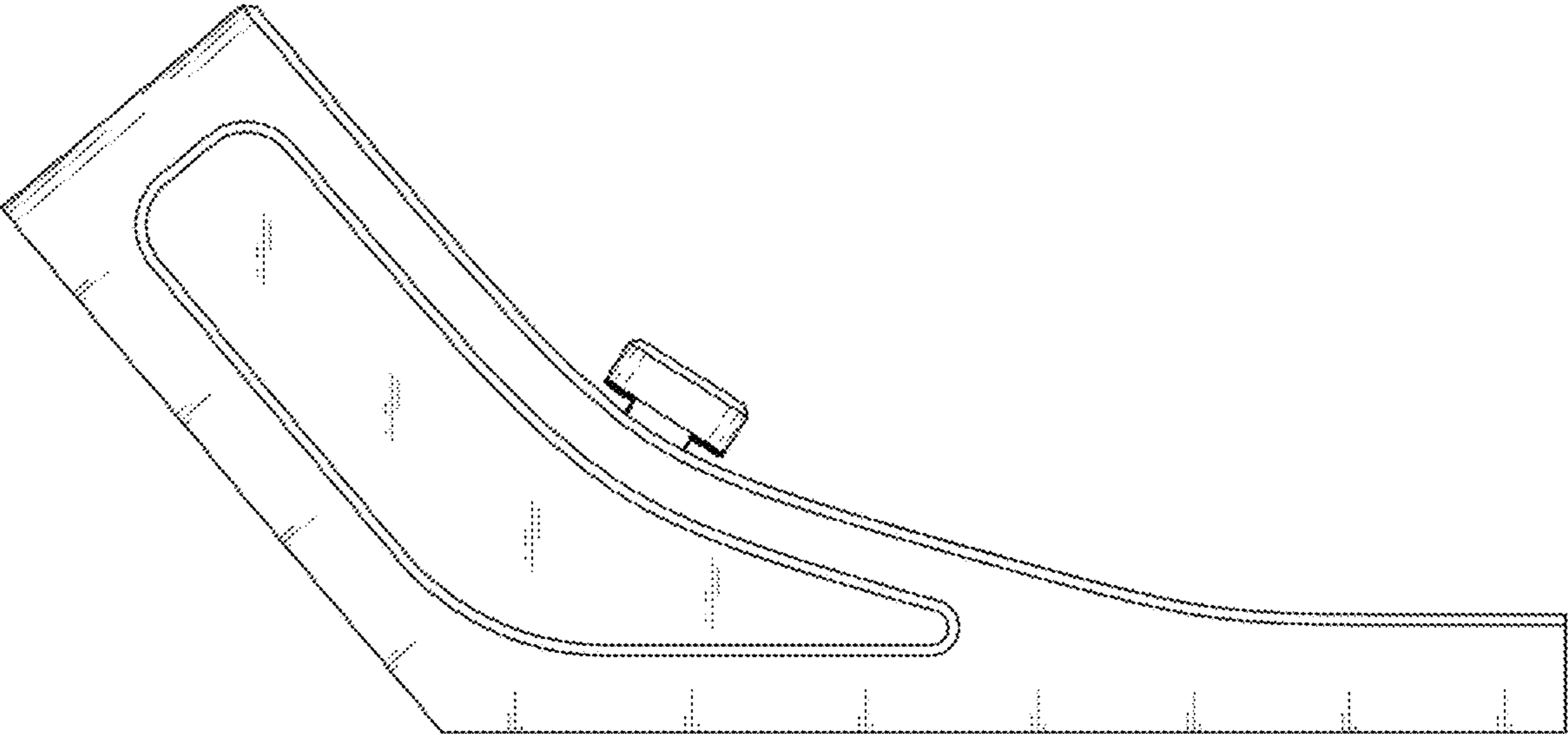
1.2



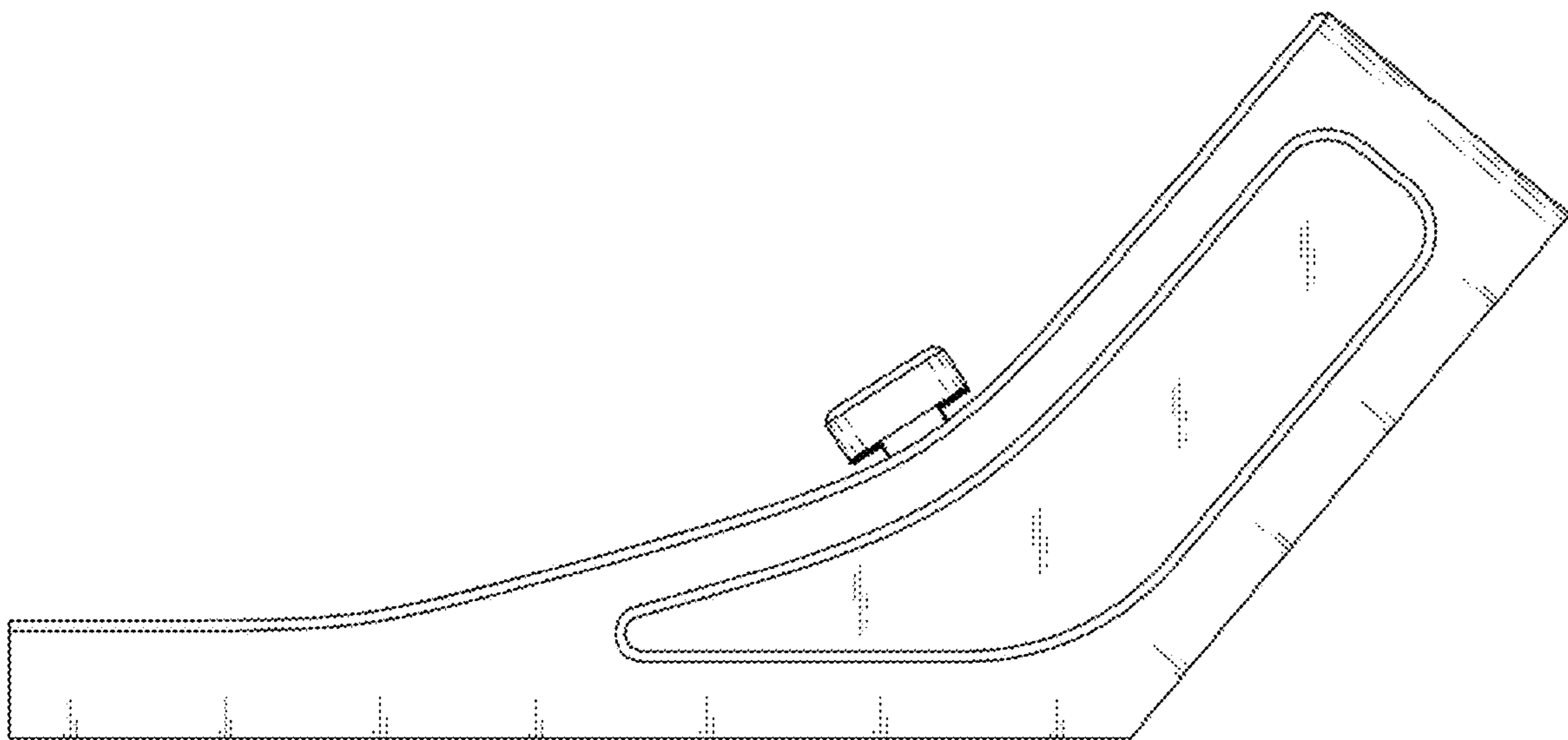
1.3



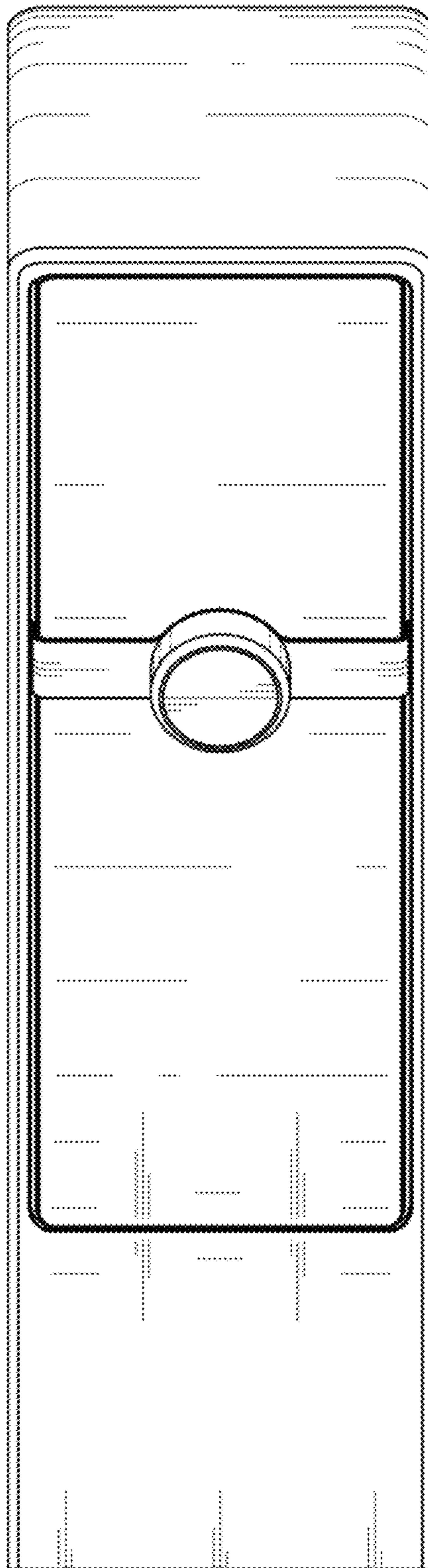
1.4



1.5



1.6



1.7

