



US00D812530S

(12) **United States Design Patent**
Bucher et al.

(10) **Patent No.:** **US D812,530 S**
(45) **Date of Patent:** **** Mar. 13, 2018**

(54) **VEHICLE REAR UPPER BUMPER COVER**

(71) Applicant: **Ford Global Technologies, LLC**,
Dearborn, MI (US)

(72) Inventors: **George Bucher**, Dearborn, MI (US);
Dean Carbis, Bloomfield Hills, MI
(US); **Shawn Yu**, Canton, MI (US)

(73) Assignee: **Ford Global Technologies, LLC**,
Dearborn, MI (US)

(**) Term: **15 Years**

(21) Appl. No.: **29/583,165**

(22) Filed: **Nov. 2, 2016**

(51) **LOC (11) Cl.** **12-16**

(52) **U.S. Cl.**
USPC **D12/169**; D12/167

(58) **Field of Classification Search**
USPC D12/86, 90, 91, 92, 163, 164, 167, 169,
D12/171, 196, 216
CPC B60R 19/02; B60R 19/18; B60R 19/24;
B60R 19/56; B60R 2019/007
See application file for complete search history.

(56) **References Cited**

U.S. PATENT DOCUMENTS

D443,853 S *	6/2001	Barraclough	D12/196
D567,725 S *	4/2008	Spearman-Oxx	D12/169
D580,317 S *	11/2008	Gueler	D12/169
D624,856 S *	10/2010	Iwauchi	D12/169
D626,471 S *	11/2010	Loeb	D12/169
D637,122 S *	5/2011	Lamm	D12/169
D644,577 S *	9/2011	Messale	D12/169
D668,188 S *	10/2012	Shudo	D12/169
D669,826 S *	10/2012	Svensson	D12/169
D671,055 S *	11/2012	Nakamura	D12/169
D675,140 S *	1/2013	Ohkoshi	D12/169
D679,636 S *	4/2013	Schmeckpeper	D12/169

D684,508 S *	6/2013	Peltola	293/102
D694,678 S *	12/2013	Campbell	D12/169
D694,679 S *	12/2013	Campbell	D12/169
D694,681 S *	12/2013	Campbell	D12/169
D702,158 S *	4/2014	Borkert	D12/169
D774,427 S *	12/2016	Davidson	D12/169
D775,561 S *	1/2017	Platto	D12/169
D778,212 S *	2/2017	Kozub	D12/169
D780,077 S *	2/2017	Kim	D12/169

FOREIGN PATENT DOCUMENTS

CN 201130310745.5 3/2012

OTHER PUBLICATIONS

Brandon Turkus <http://www.autoblog.com/2016/04/25/ford-ecosport-spy-shots-us/> Ford EcoSport spotted in US with Escape-inspired face dated Apr. 25, 2016.

(Continued)

Primary Examiner — Darlington Ly

(74) *Attorney, Agent, or Firm* — James Dottavio

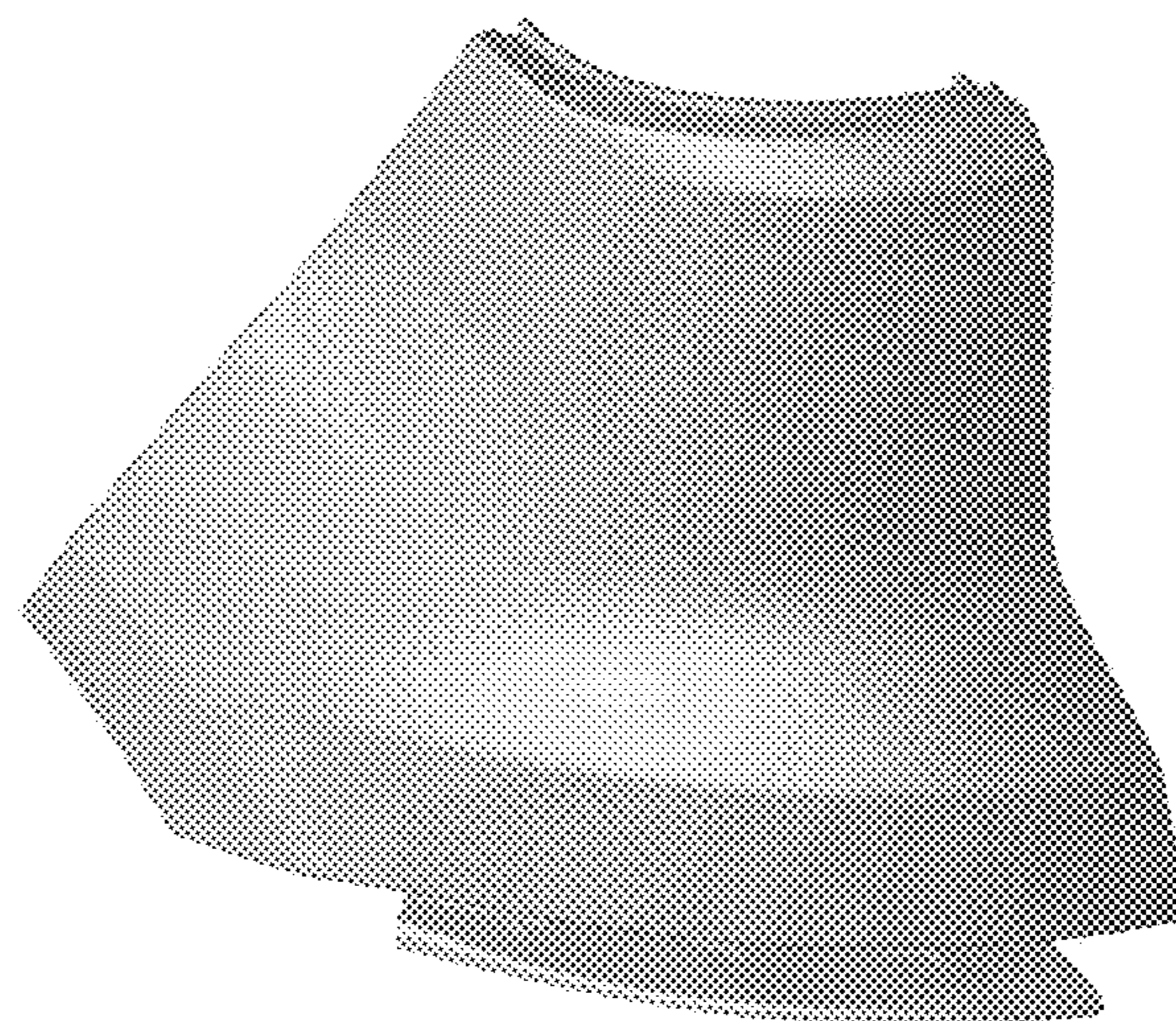
(57) **CLAIM**

The ornamental design for a vehicle rear upper bumper cover, as shown and described.

DESCRIPTION

FIG. 1 is a top and front perspective view of a vehicle rear upper bumper cover showing our new design; FIG. 2 is a bottom and front perspective view thereof; FIG. 3 is a top and rear perspective view thereof; FIG. 4 is a front elevational view thereof; FIG. 5 is a rear elevational view thereof; FIG. 6 is a left side elevational view thereof; FIG. 7 is a right side elevational view thereof; FIG. 8 is a top plan view thereof; and, FIG. 9 is a bottom plan view thereof.

1 Claim, 9 Drawing Sheets



(56)

References Cited

OTHER PUBLICATIONS

Brad Anderson <http://www.carscoops.com/2016/02/ford-ecosport-tipped-to-reach-us-shores.html> Ford EcoSport Tipped To Reach US Shores, dated Feb. 13, 2016.

Unknown <http://www.2017suv.net/2018-ford-ecosport-release-2017-in-usa/> 2018 Ford EcoSport Release 2017 in USA dated Feb. 20, 2016.

Brandon Turkus <http://www.autoblog.com/2016/04/25/ford-ecosport-spy-shots-us/> Ford EcoSport spotted in US with Escape-inspired face dated Apr. 25, 2016.

Unknown <http://www.oncars.in/car-news/spotting-2017-ford-ecosport-reveals-front-facia-india-launch-by-next-year/10372>

Spotted: 2017 Ford EcoSport reveals front facia; India launch by next year dated Apr. 28, 2016.

* cited by examiner

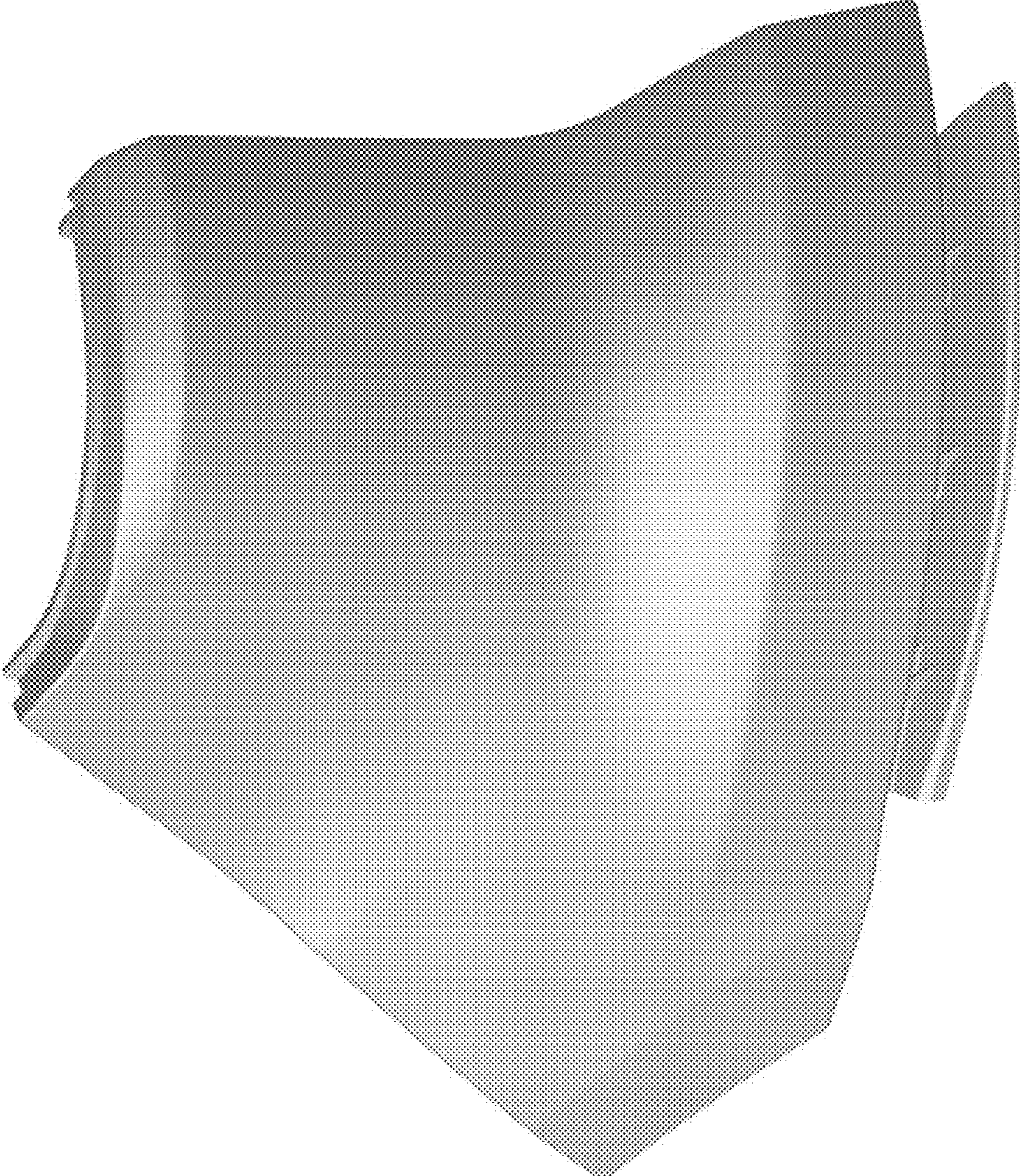


Figure 1

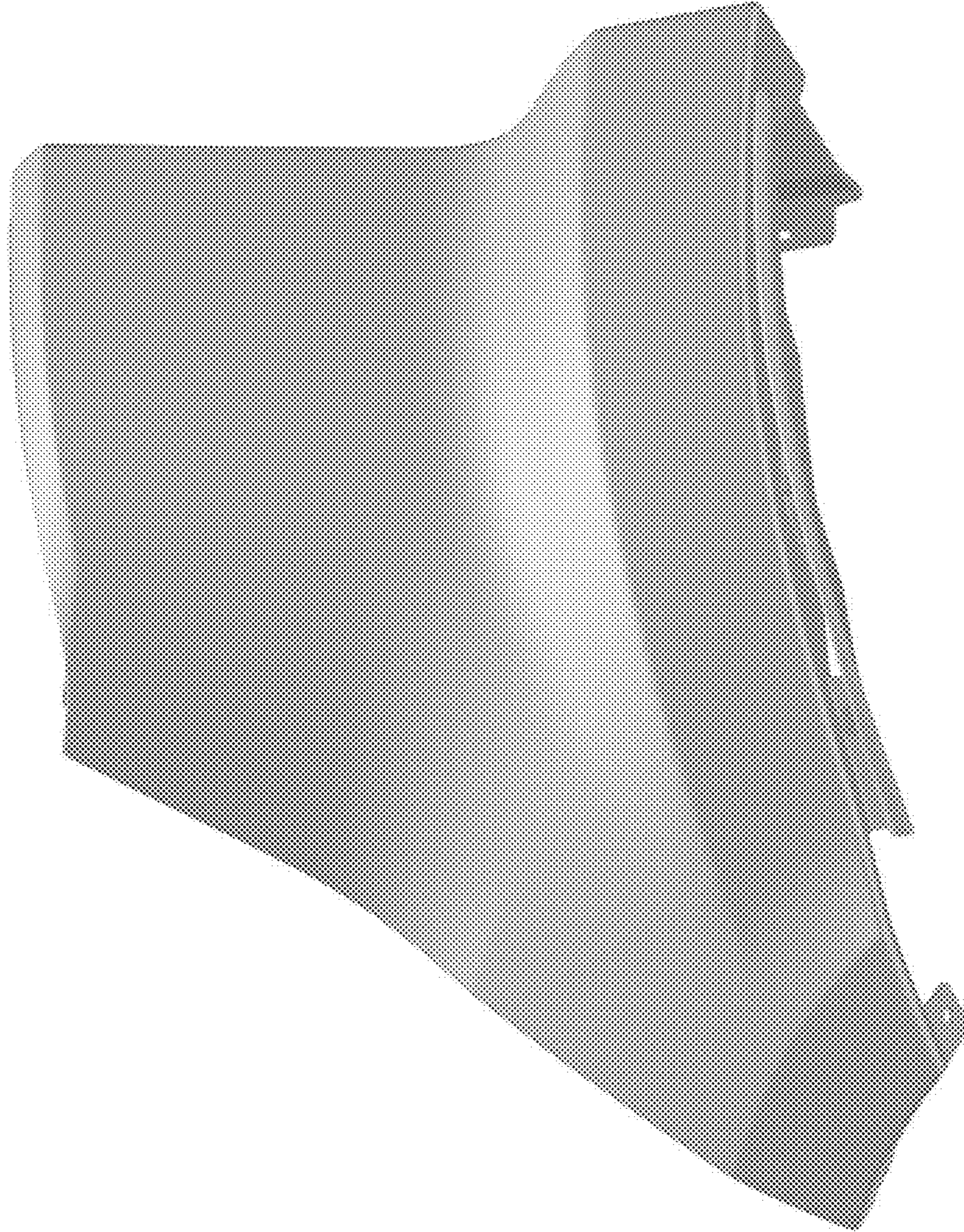


Figure 2

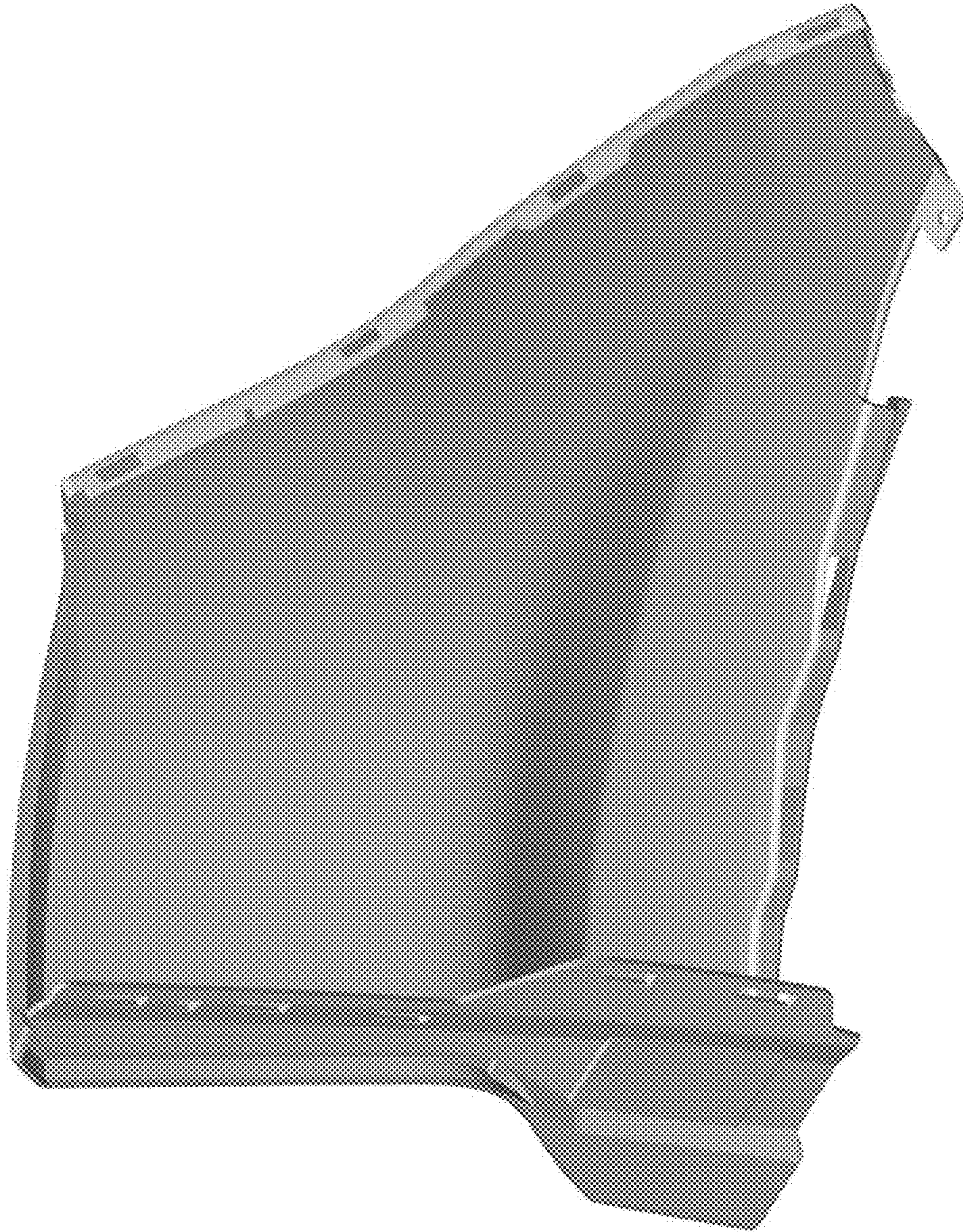


Figure 3

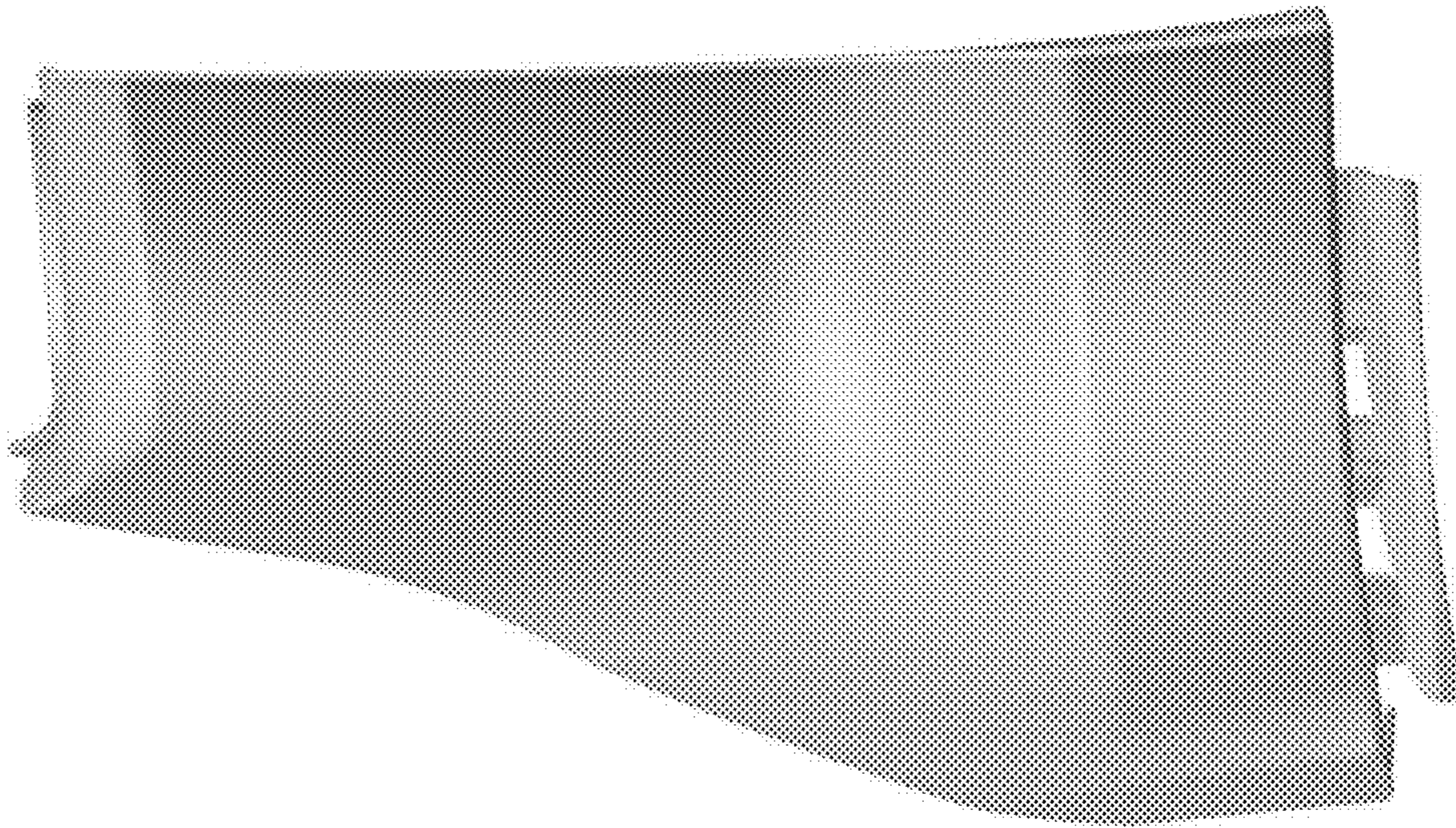
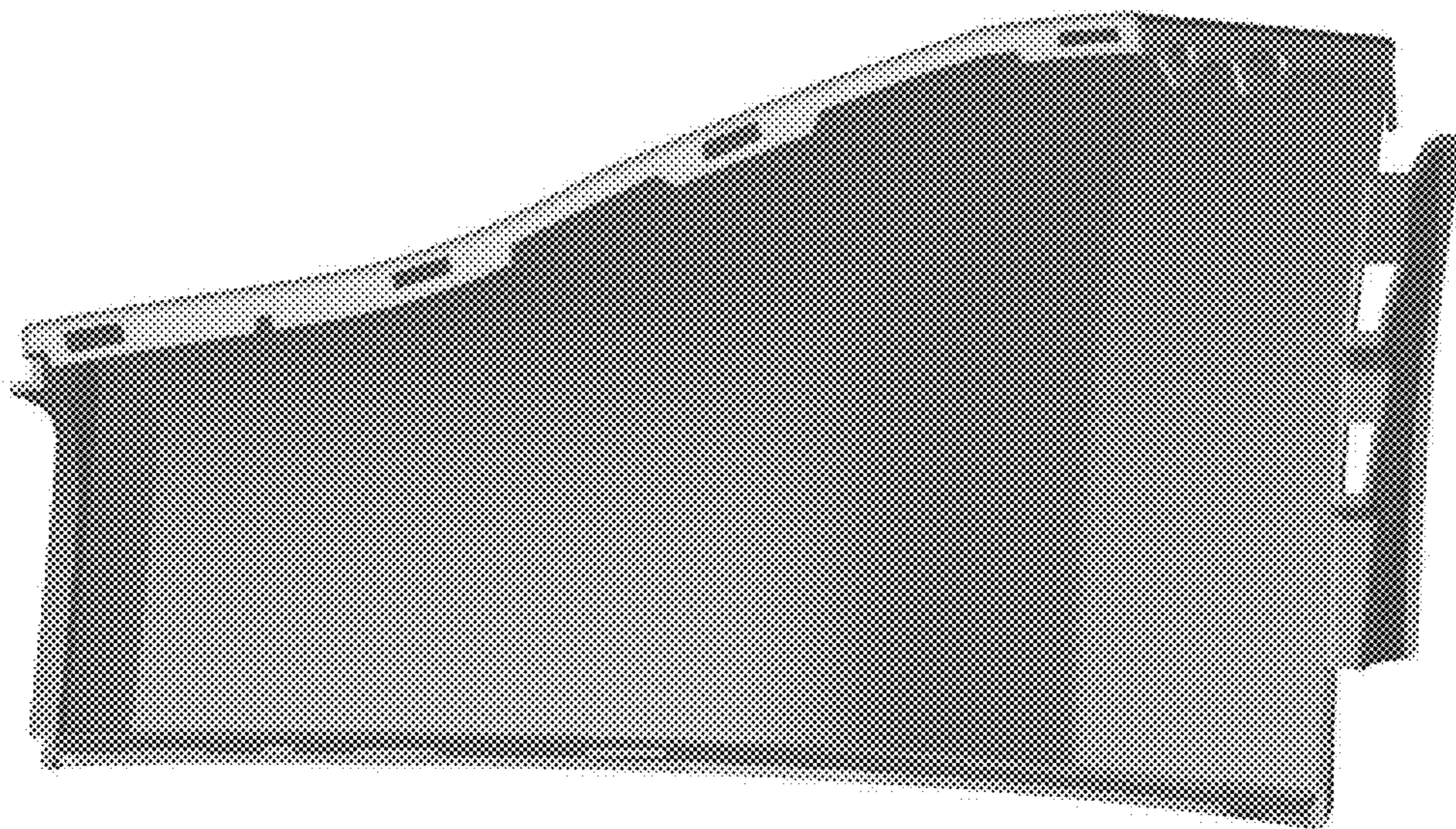


Figure 4

Figure 5



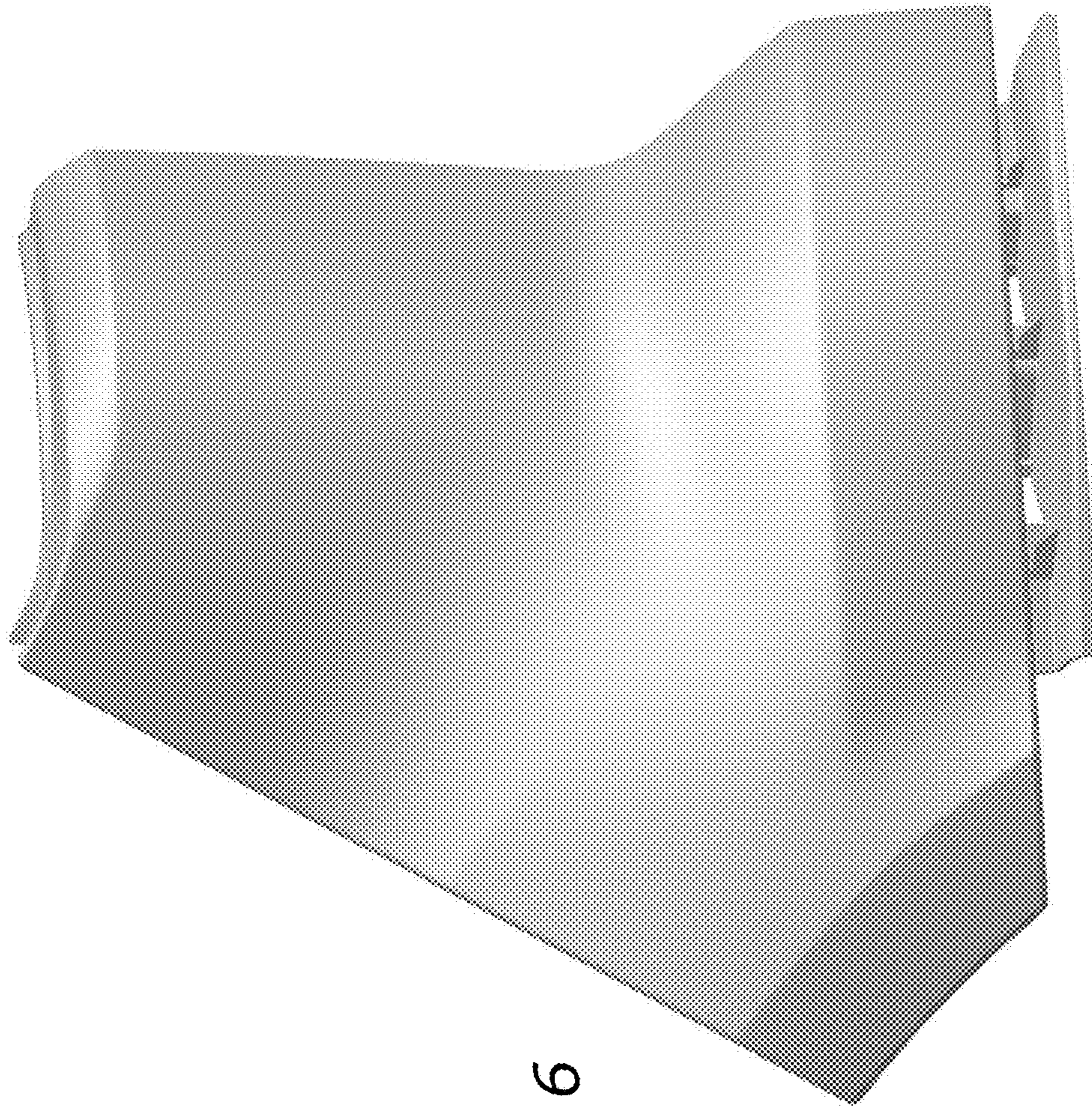
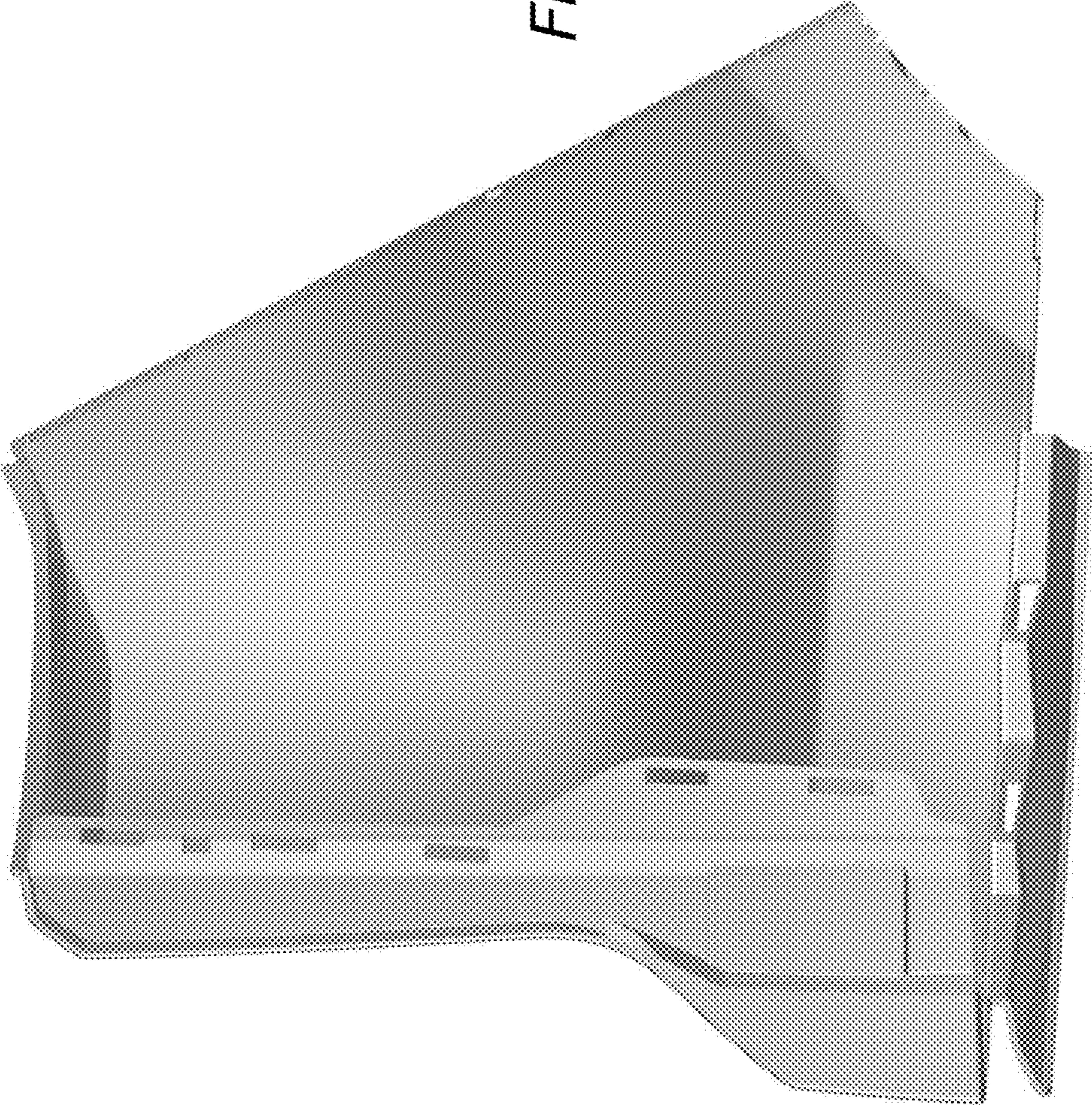


Figure 6

Figure 7



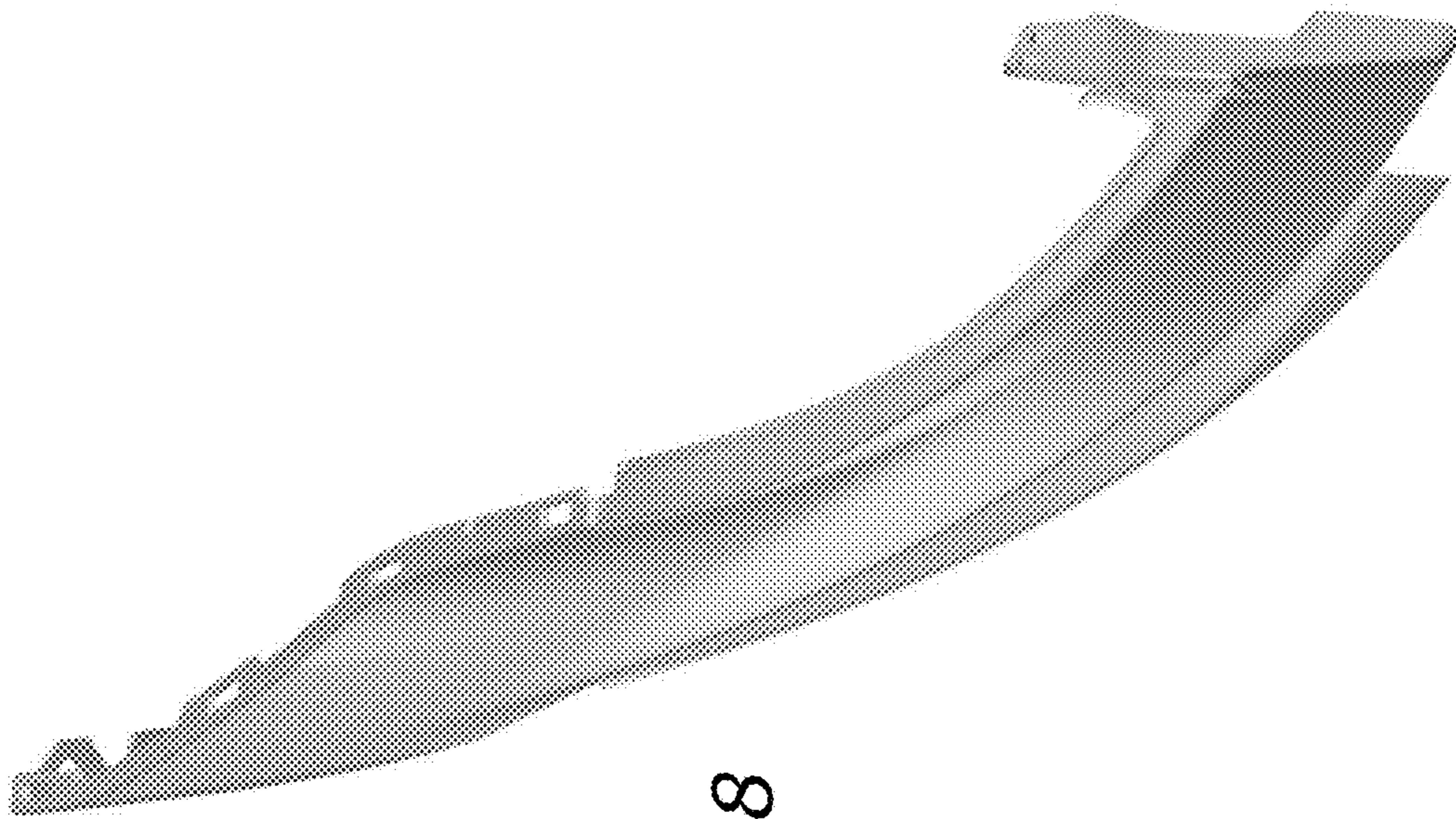


Figure 8

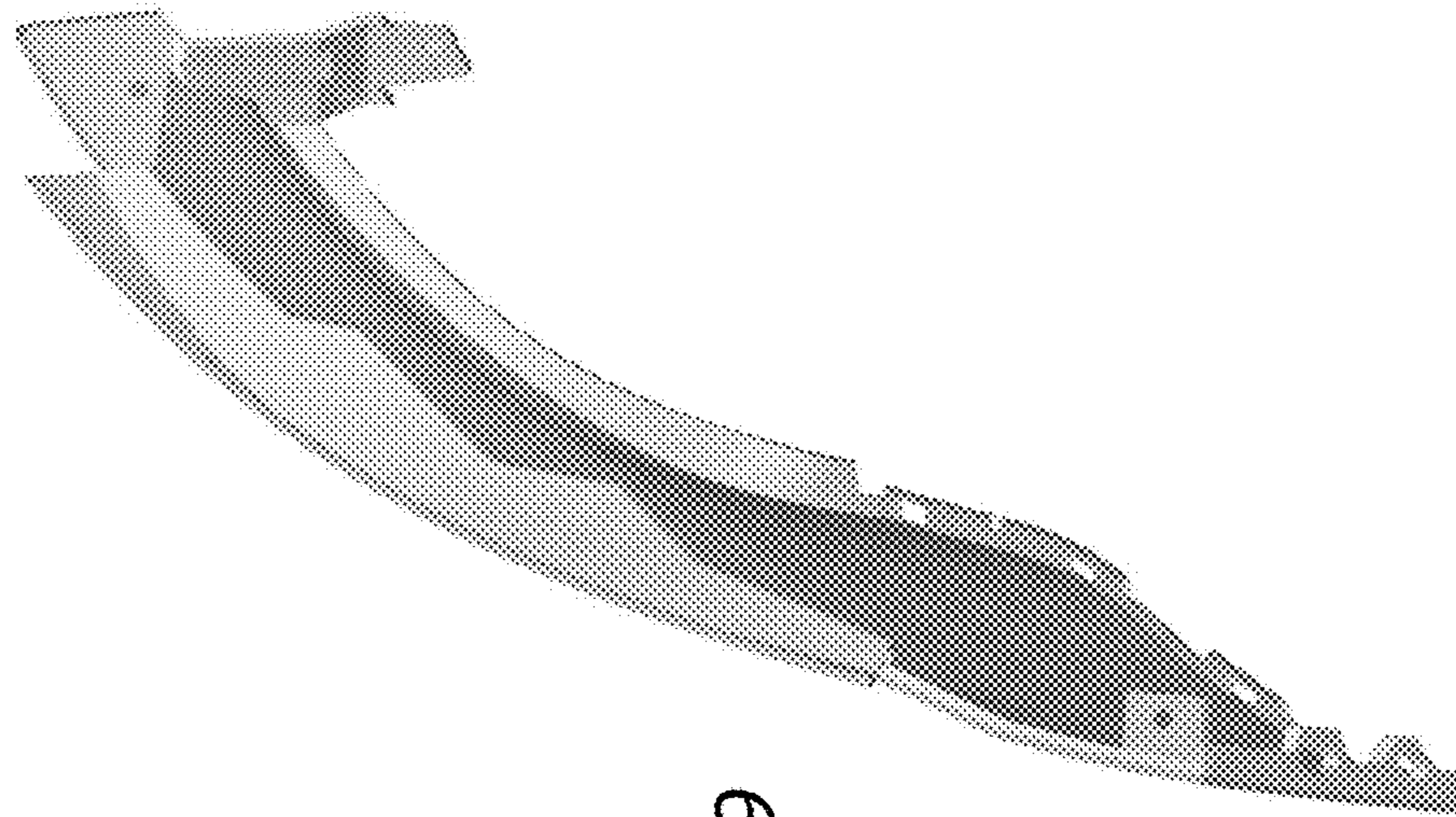


Figure 9