



US00D812523S

(12) **United States Design Patent**  
**Koizumi**

(10) **Patent No.:** **US D812,523 S**  
(45) **Date of Patent:** **\*\* Mar. 13, 2018**

- (54) **AUTOMOBILE AND/OR TOY REPLICA THEREOF**
- (71) Applicant: **Nissan Motor Co., Ltd.**, Yokohama, Kanagawa (JP)
- (72) Inventor: **Kenichiro Koizumi**, San Diego, CA (US)
- (73) Assignee: **Nissan Motor Co., Ltd.**, Yokohama (JP)

- JP D1180448 S 7/2003
- JP D1265359 S 3/2006
- JP D1265803 S 3/2006
- JP D1284180 S 10/2006
- JP D1327150 S 4/2008
- JP D1330473 S 5/2008
- JP D1330474 S 5/2008
- JP D1358380 S 5/2009
- JP D1358656 S 5/2009
- JP D1385155 S 4/2010
- JP D1397085 S 9/2010
- JP D1403621 S 12/2010
- JP D1403989 S 12/2010

(Continued)

- (\*\*) Term: **15 Years**
- (21) Appl. No.: **29/573,275**
- (22) Filed: **Aug. 4, 2016**

*Primary Examiner* — Melody N Brown  
(74) *Attorney, Agent, or Firm* — Global IP Counselors, LLP

(30) **Foreign Application Priority Data**

Feb. 5, 2016 (JP) ..... 2016-002503

- (51) **LOC (11) Cl.** ..... **12-08**
- (52) **U.S. Cl.**  
USPC ..... **D12/91**

- (58) **Field of Classification Search**  
USPC ..... D12/86, 90–92, 88; D21/421, 433, 434;  
296/181.1, 181.5  
CPC ..... B62D 35/00; B62D 25/00; B62D 25/06;  
B62D 33/00  
See application file for complete search history.

(56) **References Cited**

U.S. PATENT DOCUMENTS

- D515,460 S \* 2/2006 Oosawa ..... D12/91
- D525,911 S \* 8/2006 Taguchi ..... D12/91
- D722,919 S \* 2/2015 Chang ..... D12/91
- D776,006 S \* 1/2017 Uchiyama ..... D12/91

FOREIGN PATENT DOCUMENTS

- JP D1126627 S 10/2002
- JP D1126845 S 10/2002

(57) **CLAIM**

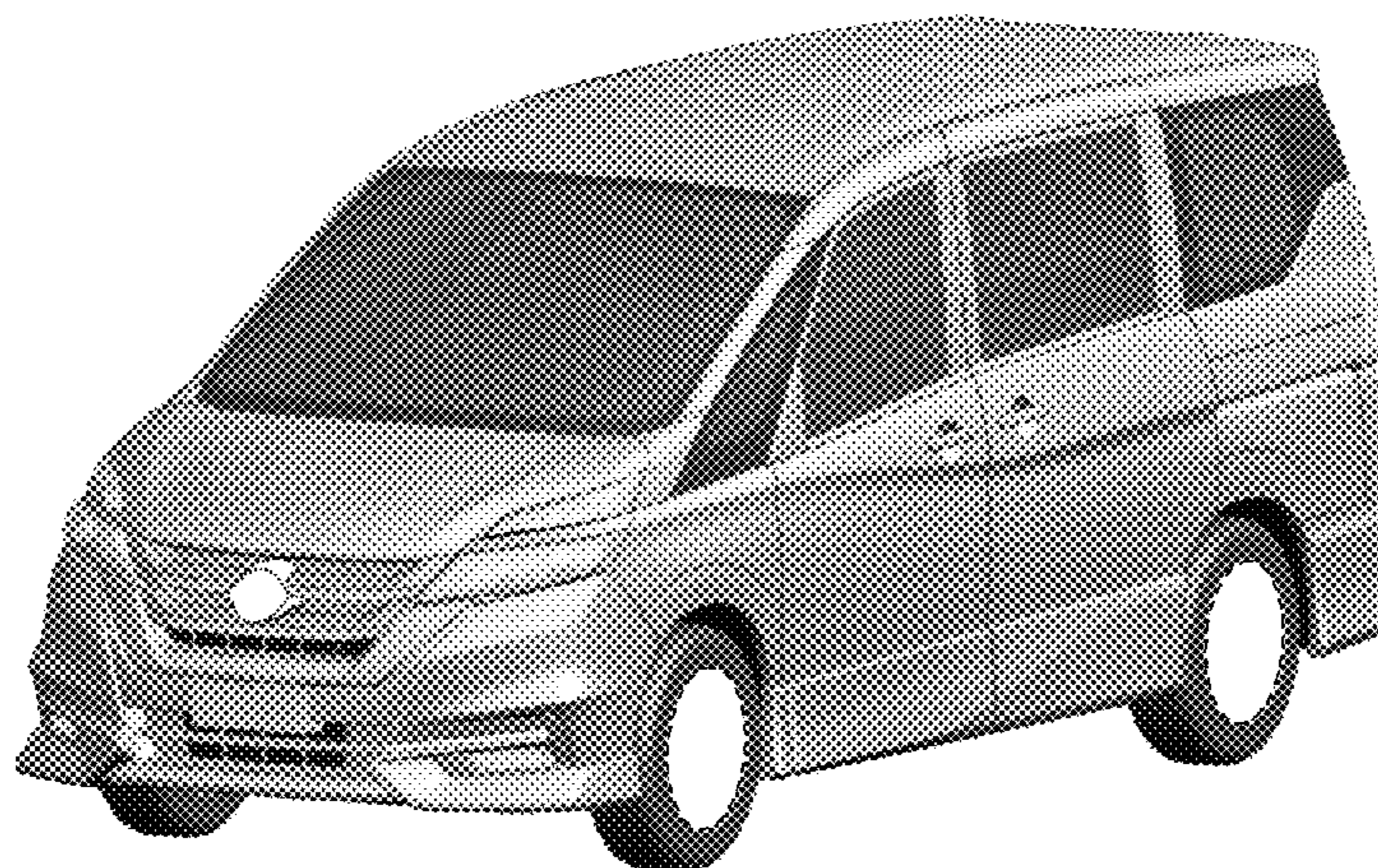
The ornamental design for an automobile and/or toy replica thereof, as shown and described.

**DESCRIPTION**

FIG. 1 is a front elevational view of an automobile and/or replica thereof showing our new design;  
FIG. 2 is a top plan view thereof;  
FIG. 3 is a left side elevational view thereof;  
FIG. 4 is a right side elevational view thereof;  
FIG. 5 is a front and left side perspective view thereof;  
FIG. 6 is a rear and right side perspective view thereof; and,  
FIG. 7 is a rear elevational view thereof.

The hidden surfaces from the bottom, obscured by a rear bumper, the wheels, and inside the wheel wells, but visible in the figures form no part of the claimed design. The broken line showings on the automobile and/or toy replica thereof is for the purpose of illustrating environmental structure and form no part of the claimed design.

**1 Claim, 7 Drawing Sheets**



(56)

**References Cited**

FOREIGN PATENT DOCUMENTS

JP	D1452955 S	10/2012
JP	D1484048 S	11/2013
JP	D1484080 S	11/2013
JP	D1486815 S	12/2013
JP	D1499551 S	6/2014
JP	D1499955 S	6/2014
JP	D1499957 S	6/2014
JP	D1499959 S	6/2014
JP	D1531514 S	8/2015
JP	D1531666 S	8/2015
JP	D1531976 S	8/2015
JP	D1532099 S	8/2015

\* cited by examiner

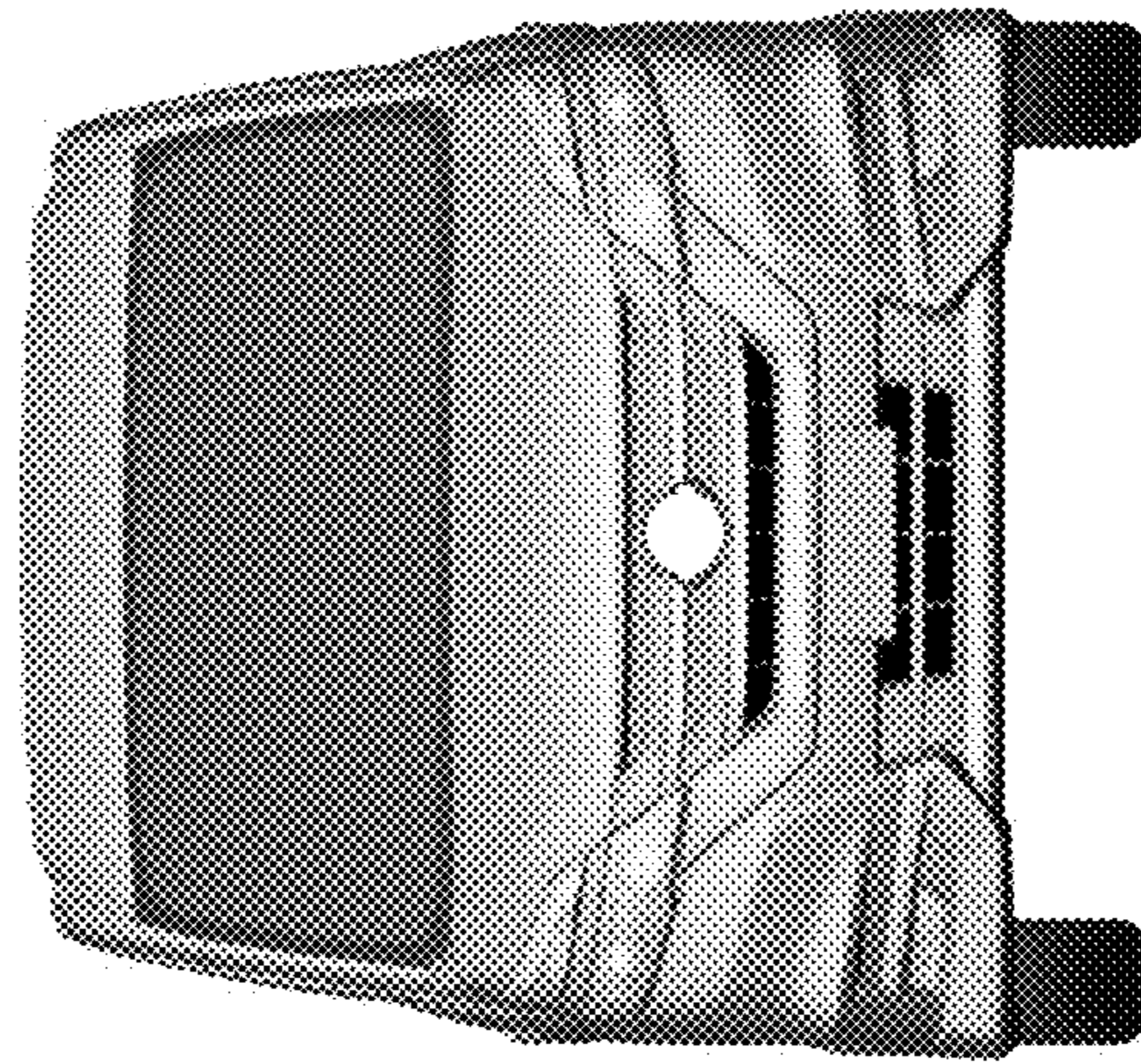


FIG. 1

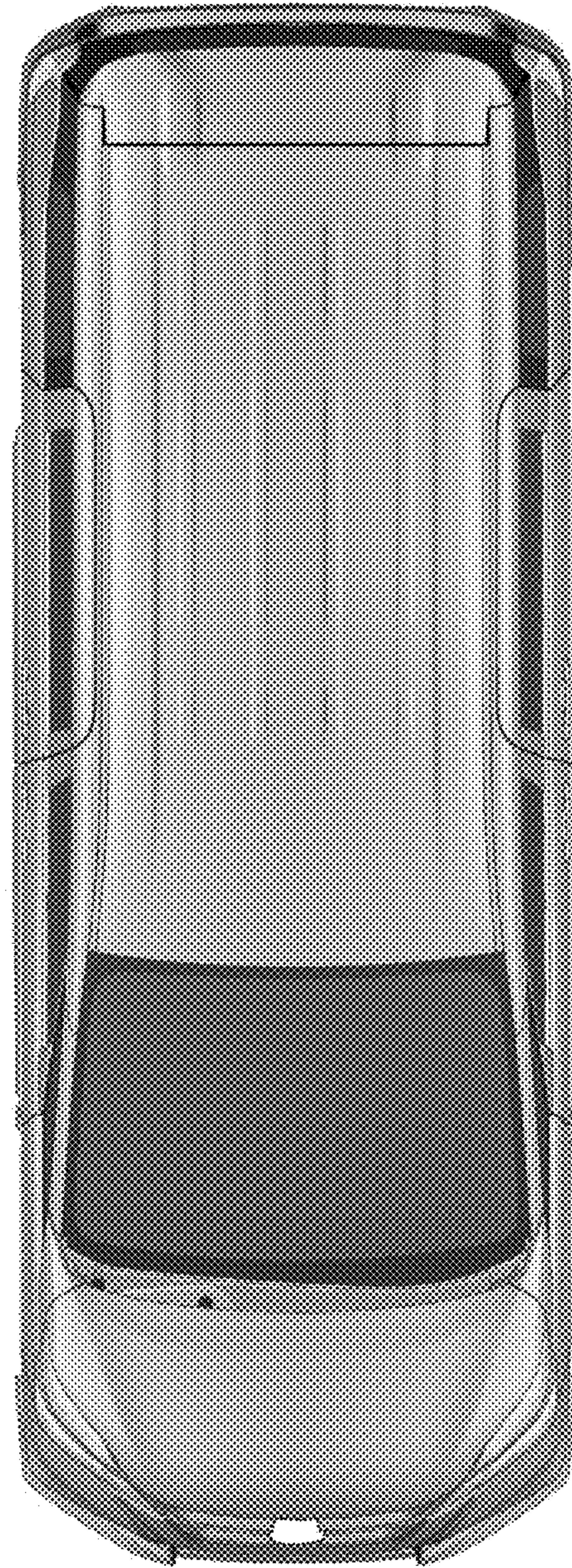


FIG. 2

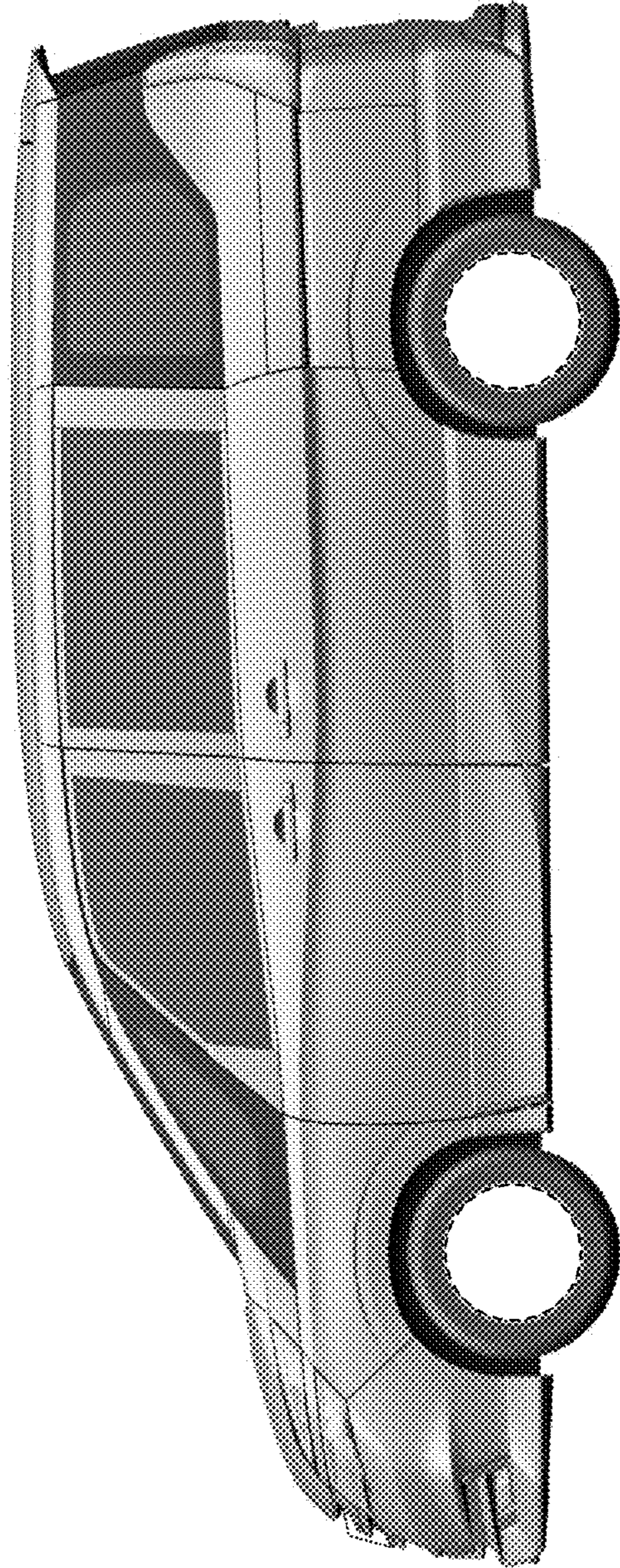


FIG. 3

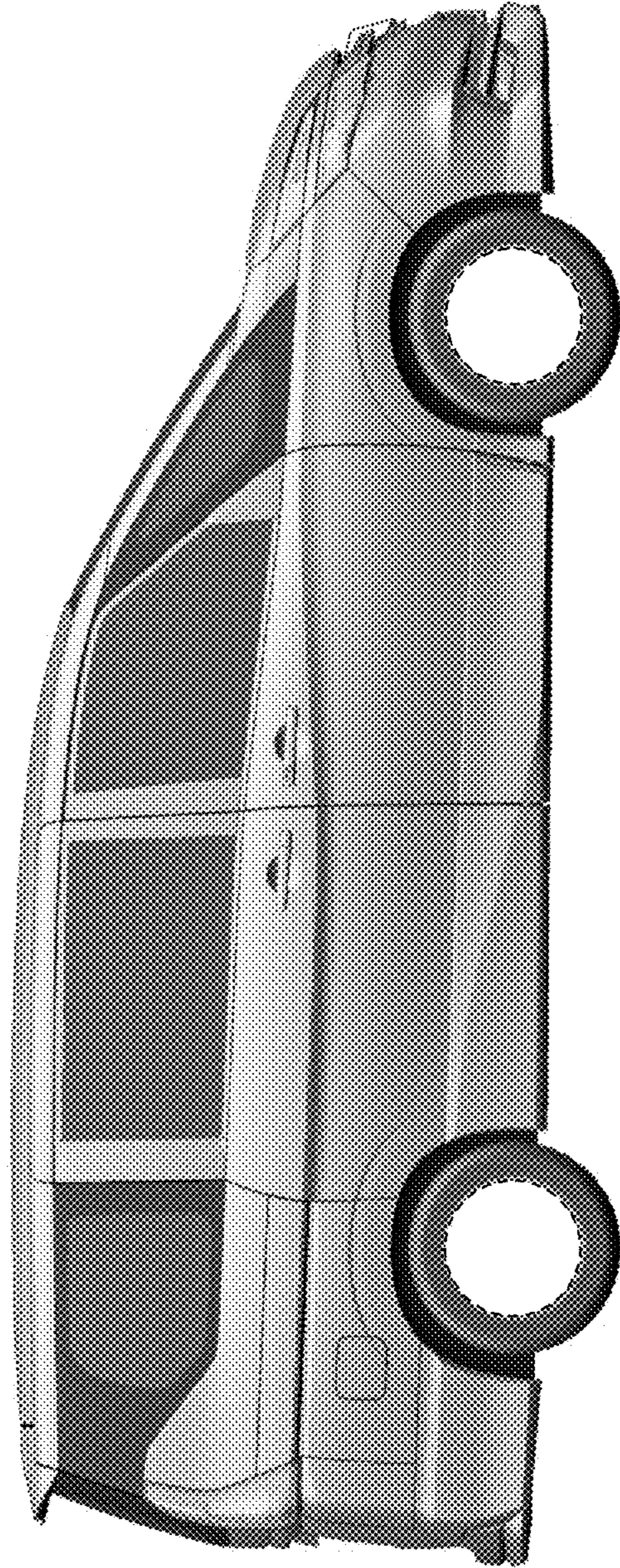


FIG. 4

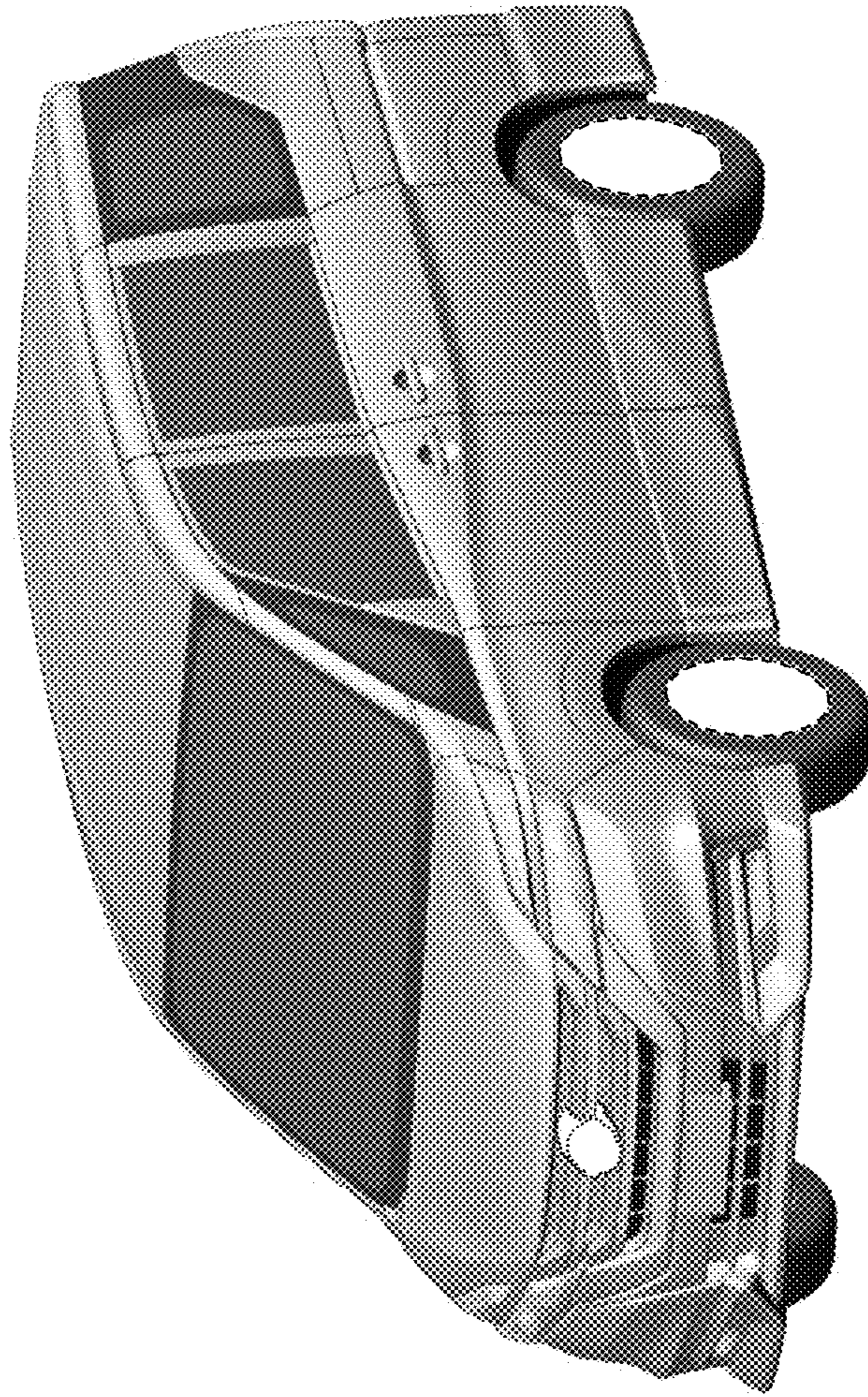


FIG. 5

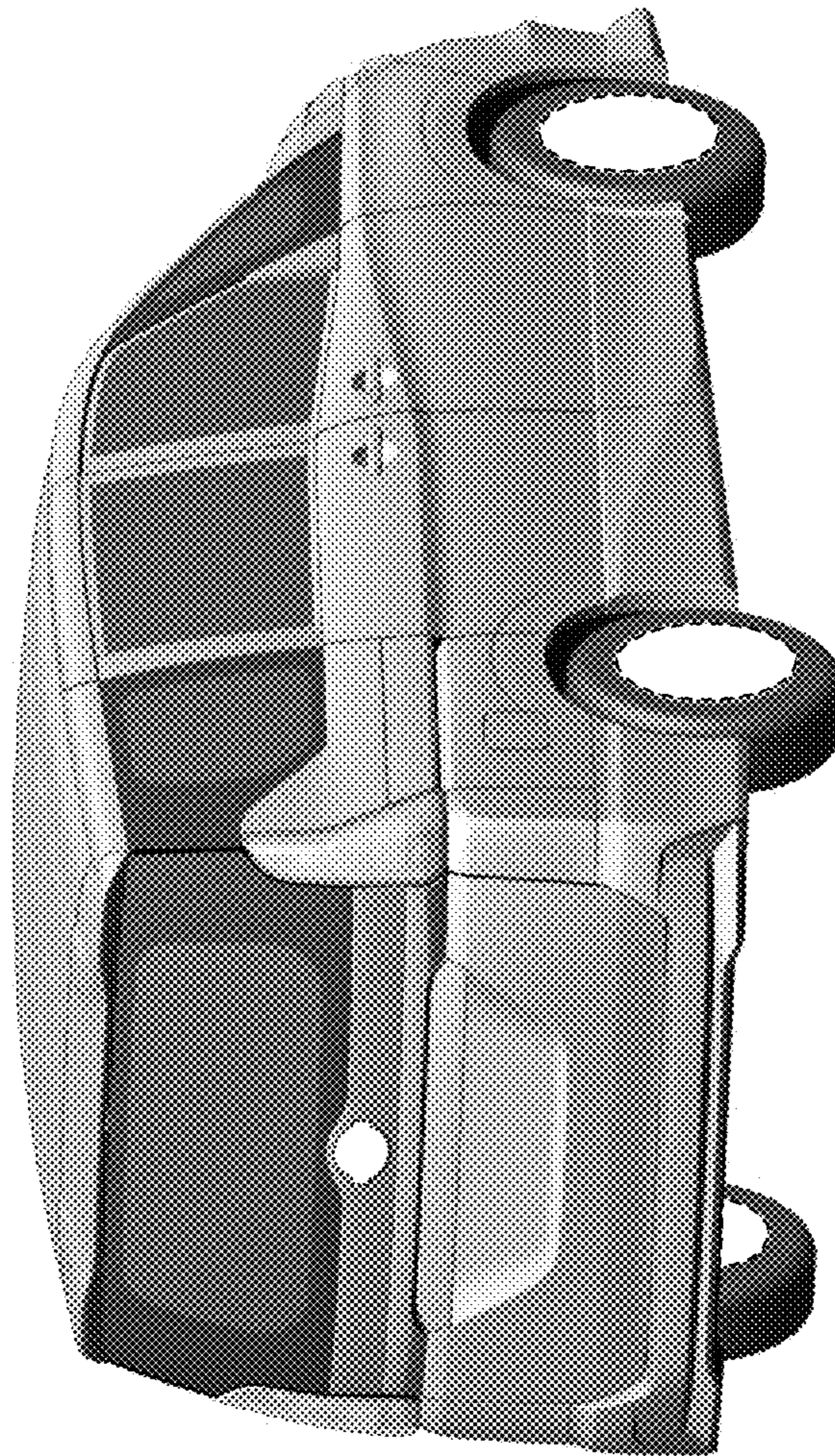


FIG. 6



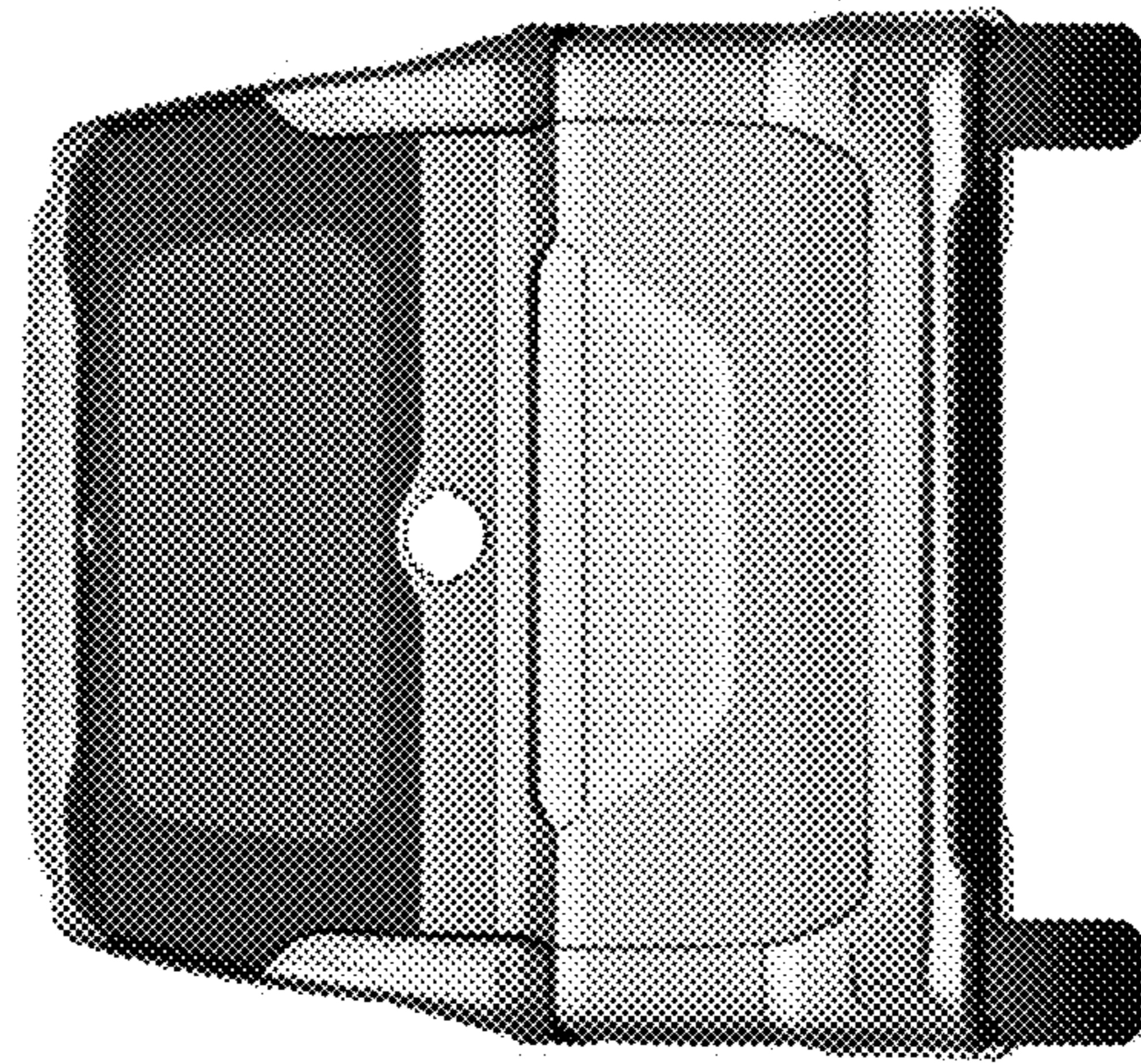


FIG. 7