



US00D812522S

(12) **United States Design Patent**
Ahn et al.

(10) **Patent No.:** **US D812,522 S**
(45) **Date of Patent:** **** Mar. 13, 2018**

(54) **DRONE**

(71) Applicant: **SAMSUNG ELECTRONICS CO., LTD.**, Suwon-si, Gyeonggi-do (KR)

(72) Inventors: **Daekyung Ahn**, Namyangju-si (KR);
Yongseok Bang, Yongin-si (KR);
Kwanhee Lee, Seoul (KR)

(73) Assignee: **SAMSUNG ELECTRONICS CO., LTD.**, Gyeonggi-Do (KR)

(**) Term: **15 Years**

(21) Appl. No.: **29/592,160**

(22) Filed: **Jan. 27, 2017**

(30) **Foreign Application Priority Data**

Aug. 5, 2016 (KR) 30-2016-0038401

(51) **LOC (11) Cl.** **12-07**

(52) **U.S. Cl.**

USPC **D12/16.1**

(58) **Field of Classification Search**

USPC D12/3, 16.1, 319–345; D21/436–455

CPC B64C 39/024; B64C 2201/108

See application file for complete search history.

(56) **References Cited**

U.S. PATENT DOCUMENTS

D109,951 S * 5/1938 Pavlecka D12/344
D768,789 S * 10/2016 Fargeau D12/16.1
D777,263 S * 1/2017 Lavagen D12/16.1

D784,854 S * 4/2017 Huang D12/16.1
D795,967 S * 8/2017 Haley D12/16.1
2014/0117149 A1* 5/2014 Zhou A63H 27/12
244/17.23
2014/0131510 A1* 5/2014 Wang B64C 39/024
244/17.23
2016/0236777 A1* 8/2016 Tang B64C 39/024
2017/0084181 A1* 3/2017 Wilson G08G 5/0069
2017/0295069 A1* 10/2017 Sweet, III H04L 41/12

FOREIGN PATENT DOCUMENTS

CN 303226629 S 5/2015
CN 303641279 S 4/2016
CN 303711698 S 6/2016

* cited by examiner

Primary Examiner — Robert M. Spear

Assistant Examiner — Marissa J Cash

(74) *Attorney, Agent, or Firm* — Cantor Colburn LLP

(57) **CLAIM**

The ornamental design for a drone, as shown and described.

DESCRIPTION

FIG. 1 is a perspective view of a drone, showing our new design;

FIG. 2 is a front view thereof;

FIG. 3 is a rear view thereof;

FIG. 4 is a left side view thereof;

FIG. 5 is a right side view thereof;

FIG. 6 is a top view thereof; and,

FIG. 7 is a bottom view thereof.

The broken lines illustrating portions of the drone form no part of the claimed design.

1 Claim, 7 Drawing Sheets

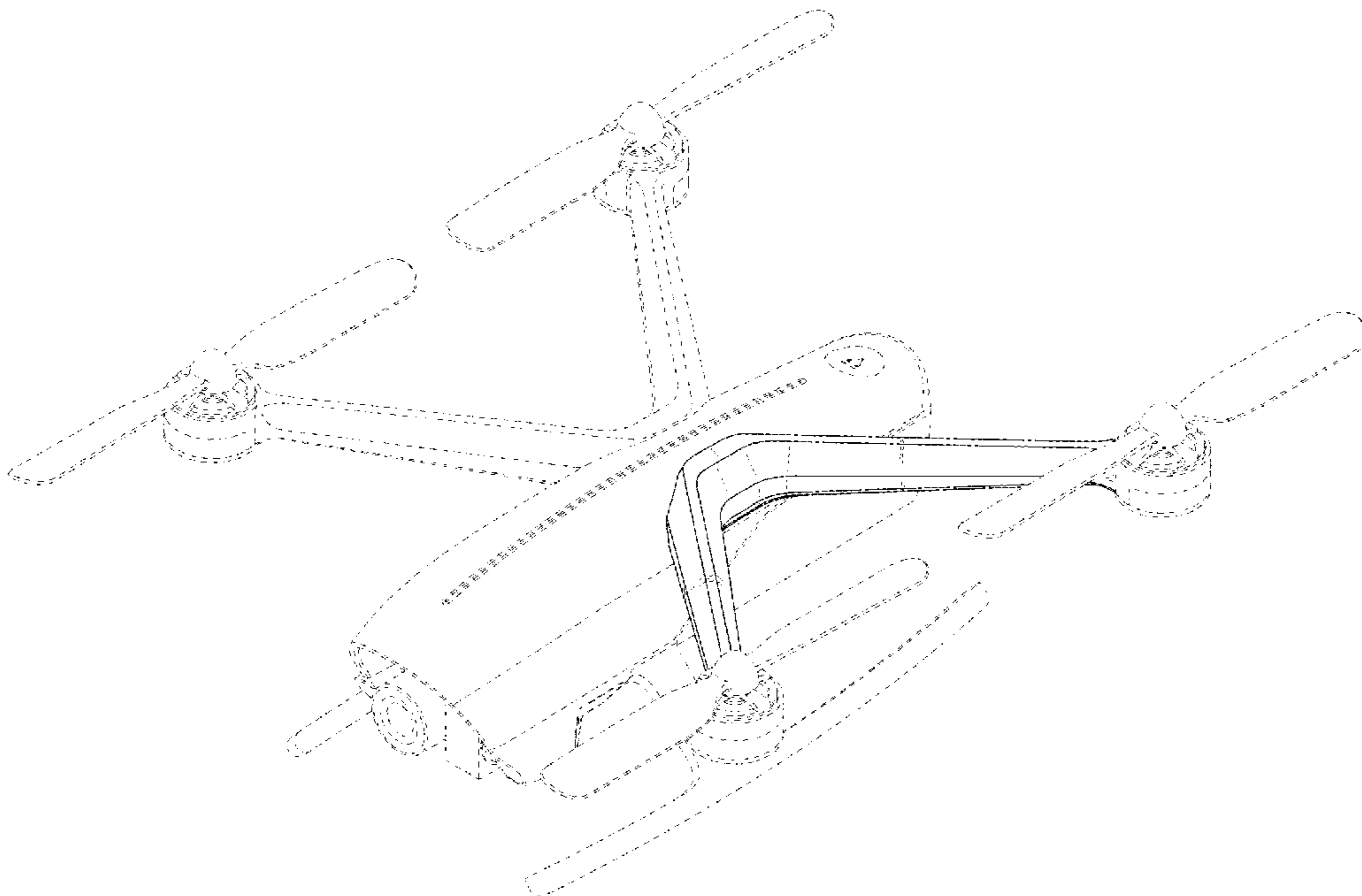


FIG. 1

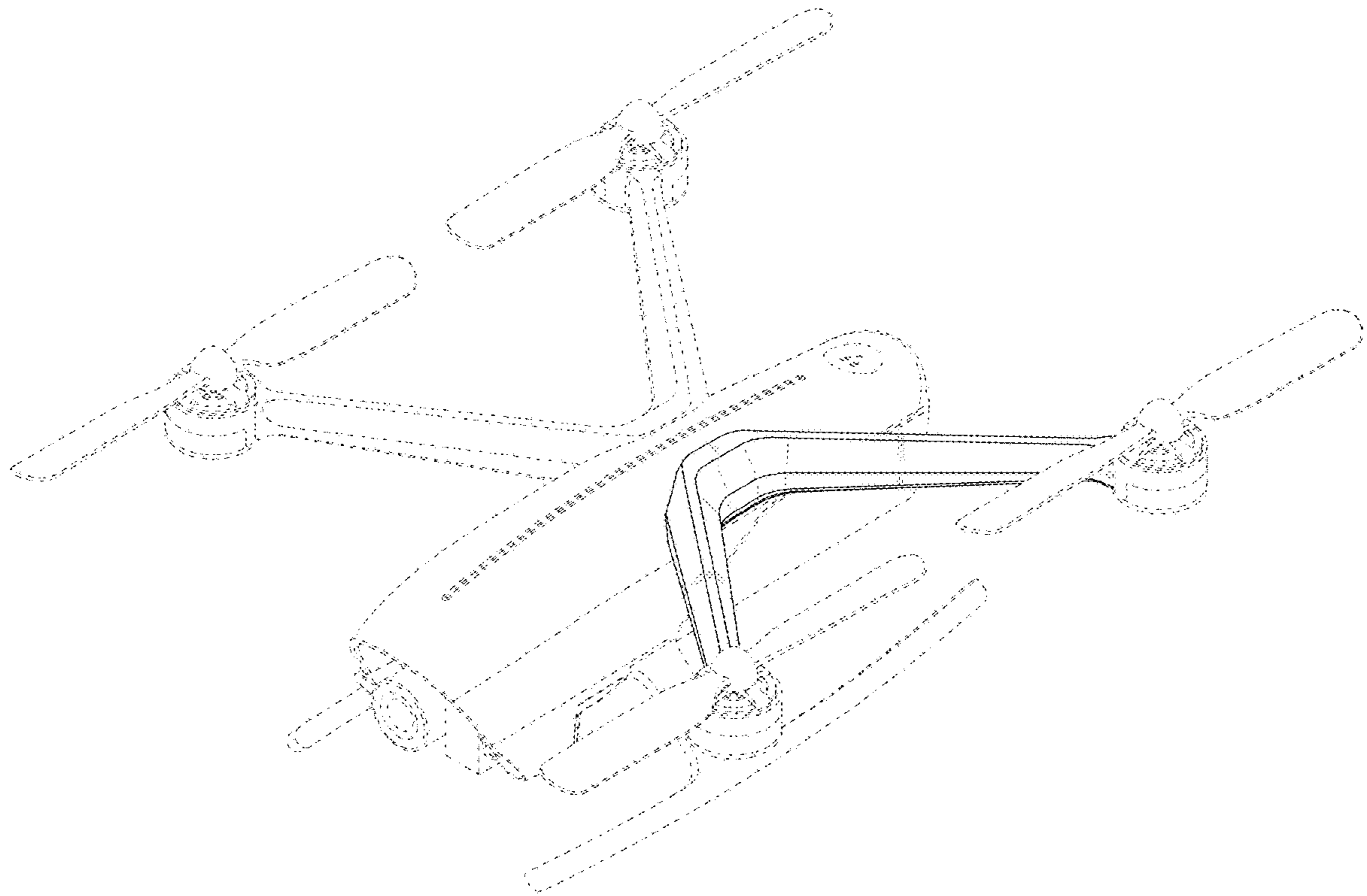


FIG. 2

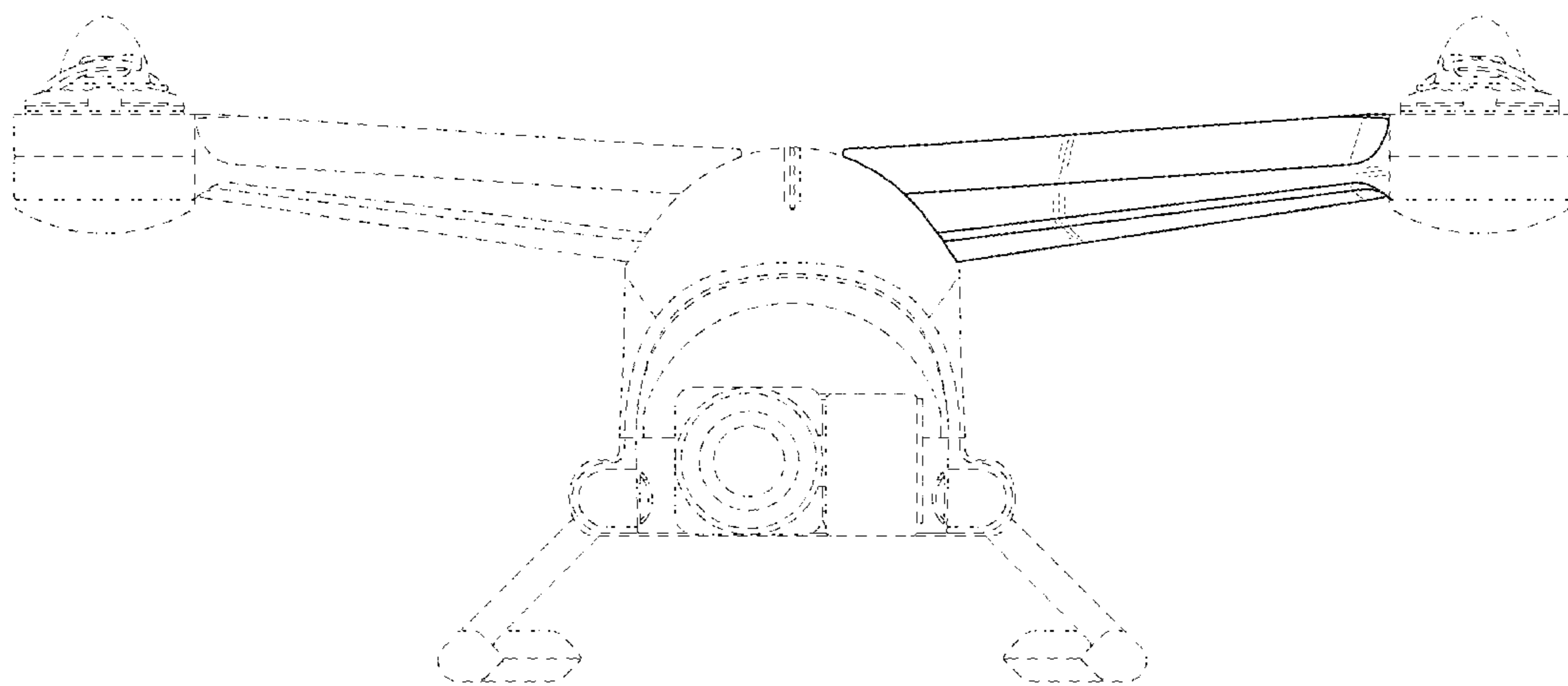


FIG. 3

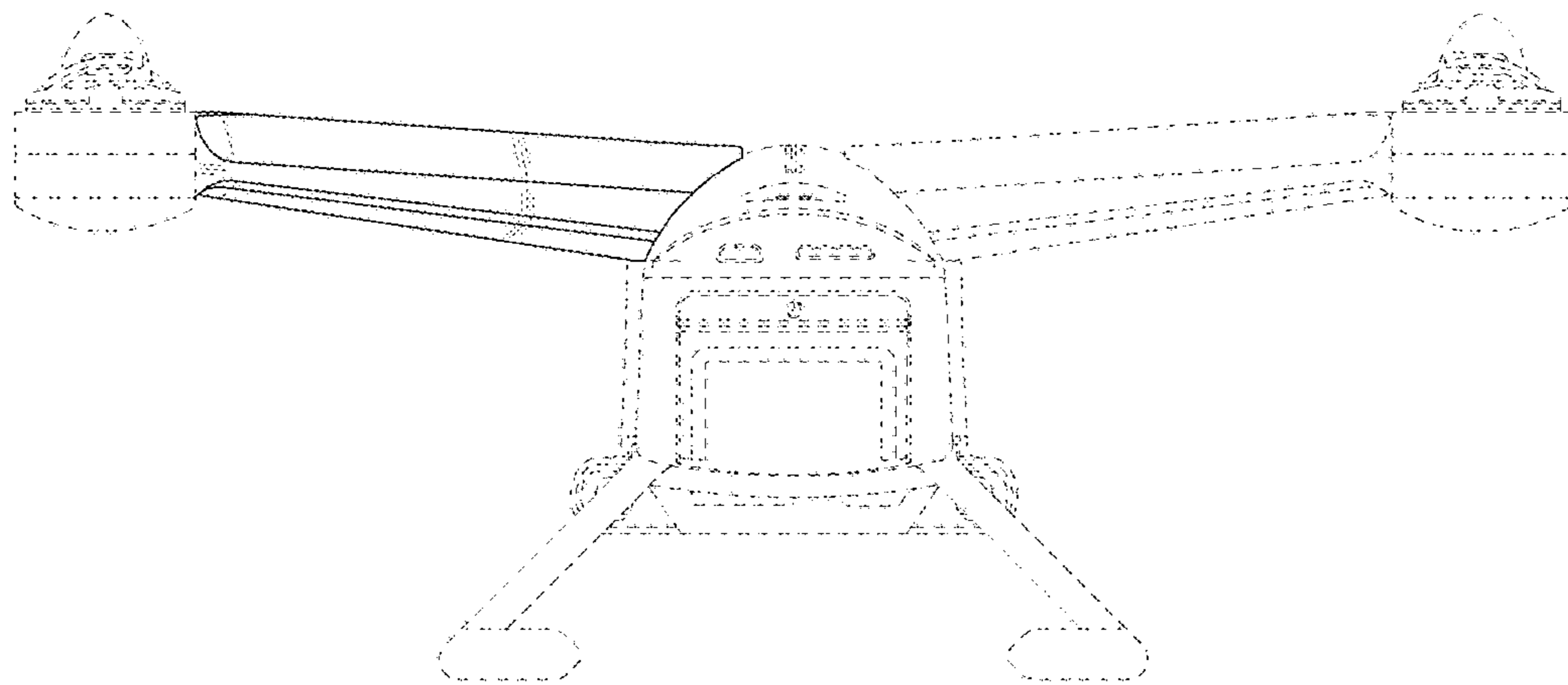


FIG. 4

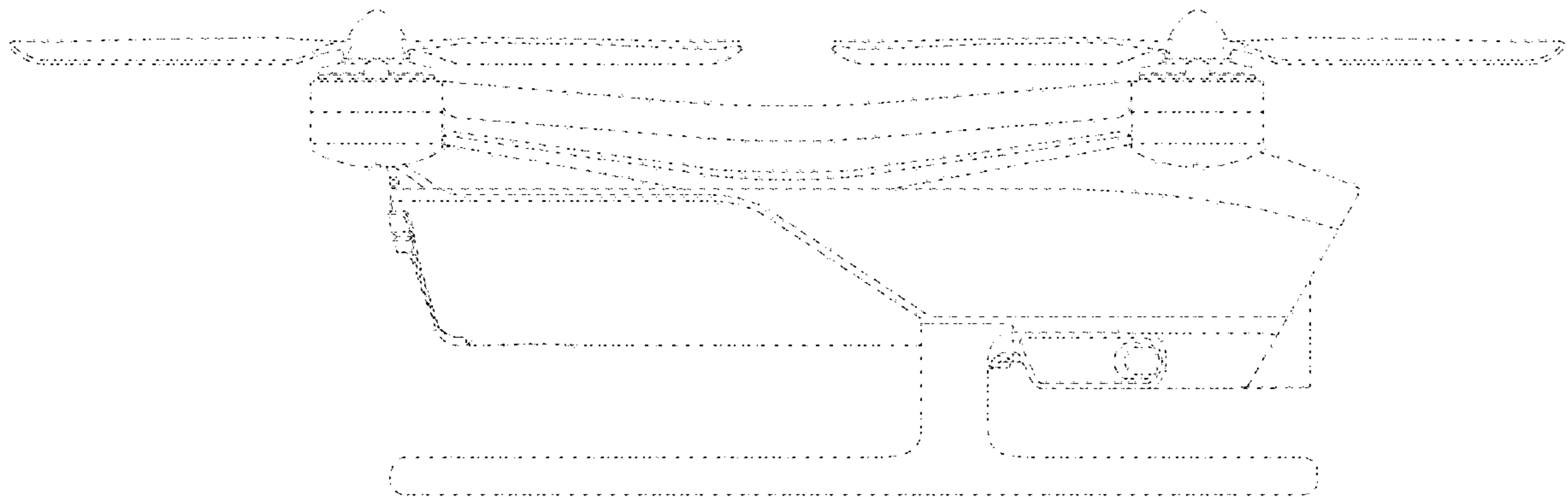


FIG. 5

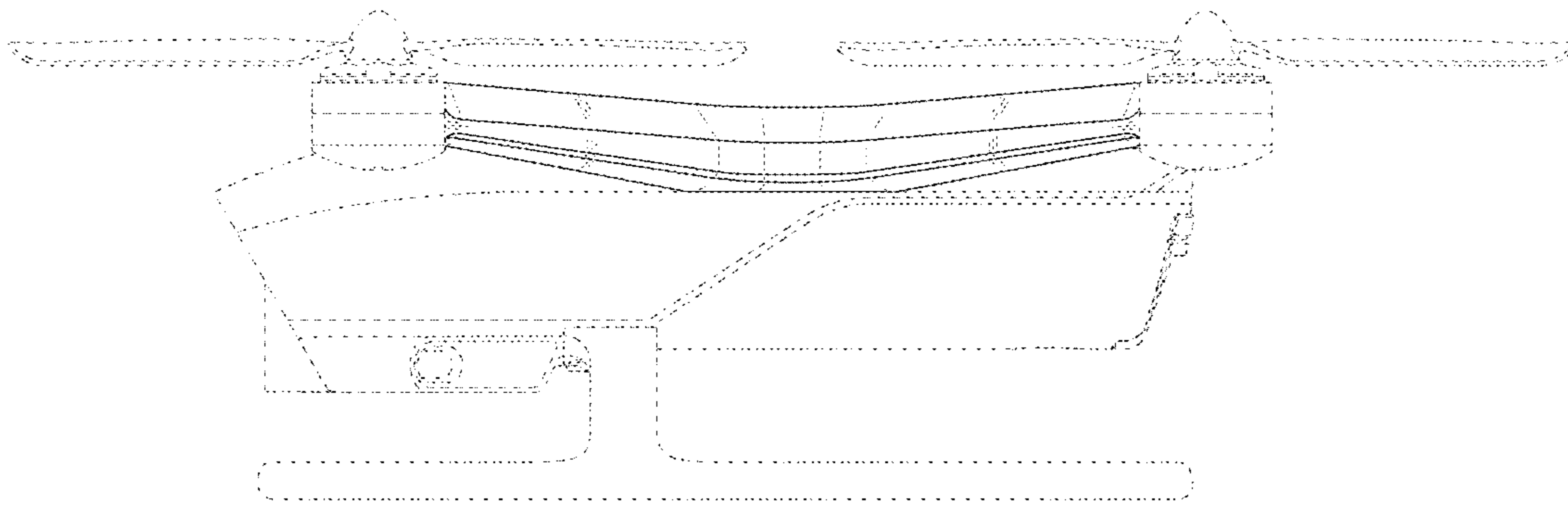


FIG. 6

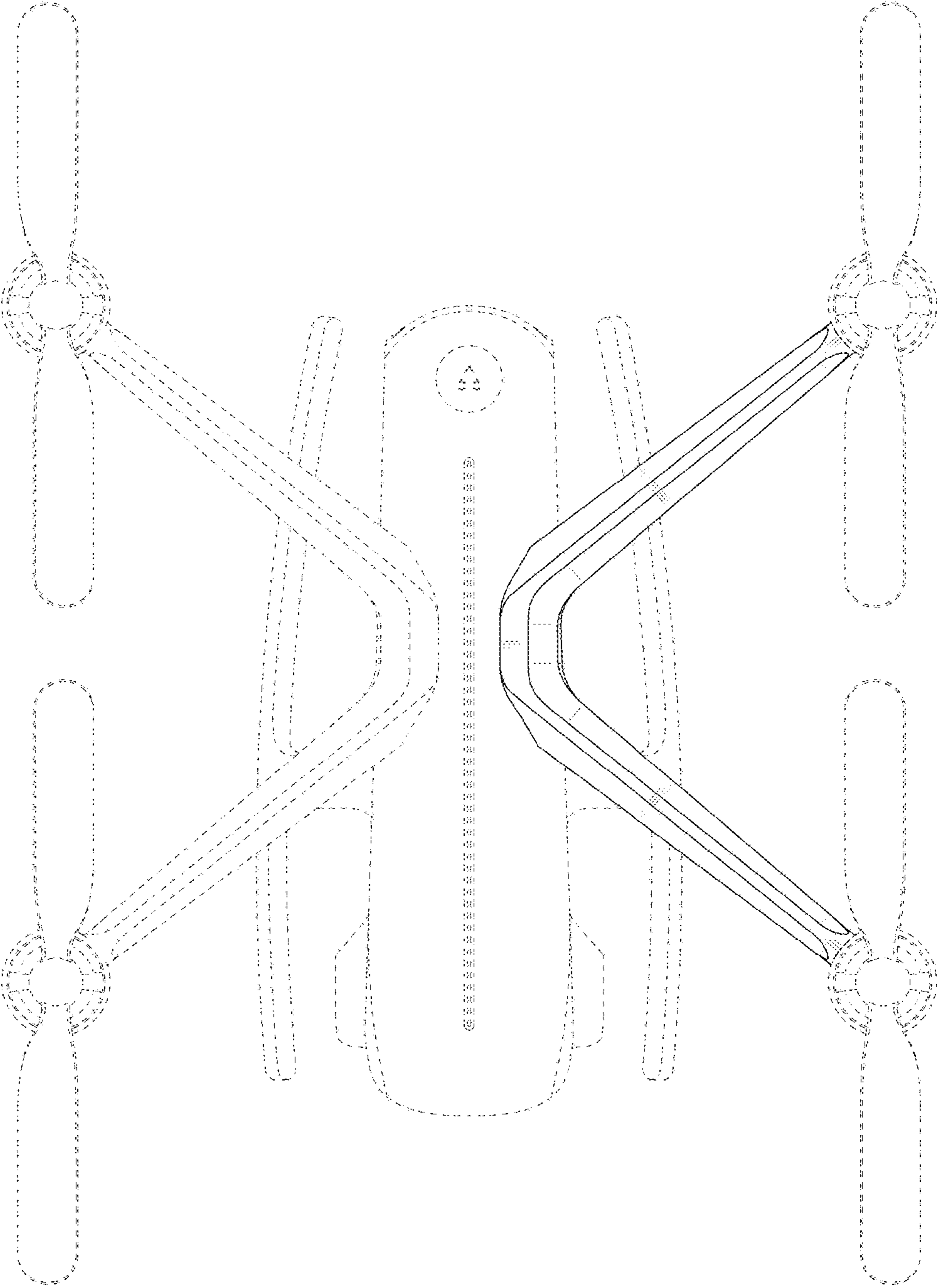


FIG. 7

