



US00D812521S

(12) **United States Design Patent**
Yao

(10) **Patent No.:** **US D812,521 S**

(45) **Date of Patent:** **** Mar. 13, 2018**

(54) **HOVERBOARD**

(71) Applicant: **Dongguan Chexiaomi Intelligent Technology Co., Ltd.**, Dongguan, Guangdong (CN)

(72) Inventor: **Yuman Yao**, Guangdong (CN)

(73) Assignee: **Dongguan Chexiaomi Intelligent Technology Co., Ltd.**, Dongguan, Guangdong Province (CN)

(**) Term: **15 Years**

(21) Appl. No.: **29/580,213**

(22) Filed: **Oct. 6, 2016**

(51) **LOC (11) Cl.** **12-13**

(52) **U.S. Cl.**
USPC **D12/1; D21/763**

(58) **Field of Classification Search**
USPC D12/1; D21/760, 763
CPC A63C 17/01; A63C 17/12; A63C 2203/00;
A63C 2203/011; A63C 2203/012; A63C
2203/013; A63C 2203/40; A63C 2203/52;
B62K 3/007; B62K 17/00; B62D 51/001;
B62D 51/02

See application file for complete search history.

(56) **References Cited**

U.S. PATENT DOCUMENTS

D737,723 S * 9/2015 Ying D12/1
D738,256 S * 9/2015 Ying D12/1
9,376,155 B2 * 6/2016 Ying B62D 51/001
D778,782 S * 2/2017 Chen D12/1
D779,375 S * 2/2017 Zeng D12/1

D780,626 S * 3/2017 Li D12/1
D784,195 S * 4/2017 Ying D12/1
D784,196 S * 4/2017 Ying D12/1
D784,197 S * 4/2017 Ying D12/1
D784,198 S * 4/2017 Zhu D12/1
D785,112 S * 4/2017 Ying D21/760
D785,113 S * 4/2017 Ying D21/760
D785,115 S * 4/2017 Ying D21/760
D785,736 S * 5/2017 Ying D21/760
D786,130 S * 5/2017 Huang D12/1
D786,994 S * 5/2017 Chen D21/760
D786,995 S * 5/2017 Ying D21/760
D787,982 S * 5/2017 Khamenian D12/1
D796,613 S * 9/2017 Schapiro D21/760
D803,722 S * 11/2017 Ying D12/1
D803,963 S * 11/2017 Desberg D21/760

* cited by examiner

Primary Examiner — Vy Koenig
Assistant Examiner — Keith Wilson

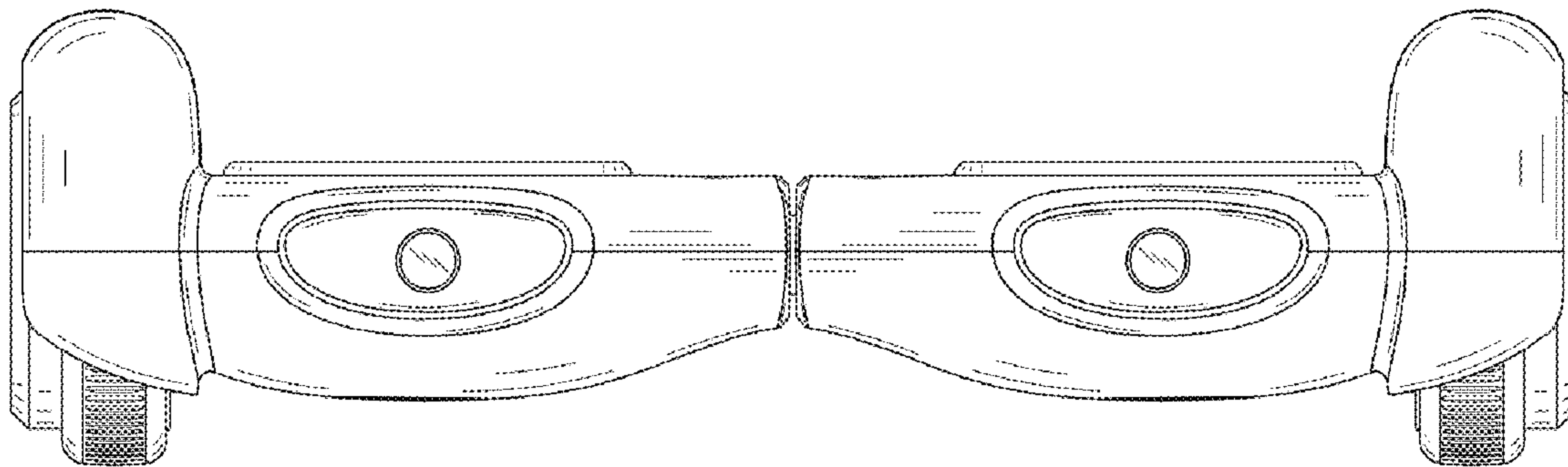
(57) **CLAIM**

The ornamental design for a hoverboard, as shown and described.

DESCRIPTION

FIG. 1 is a front elevation view of hoverboard showing our new design;
FIG. 2 is a back elevation view thereof;
FIG. 3 is a left elevation view thereof;
FIG. 4 is a right elevation view thereof;
FIG. 5 is a top view thereof;
FIG. 6 is a bottom view thereof;
FIG. 7 is a top perspective view thereof; and,
FIG. 8 is a bottom perspective view thereof.

1 Claim, 3 Drawing Sheets



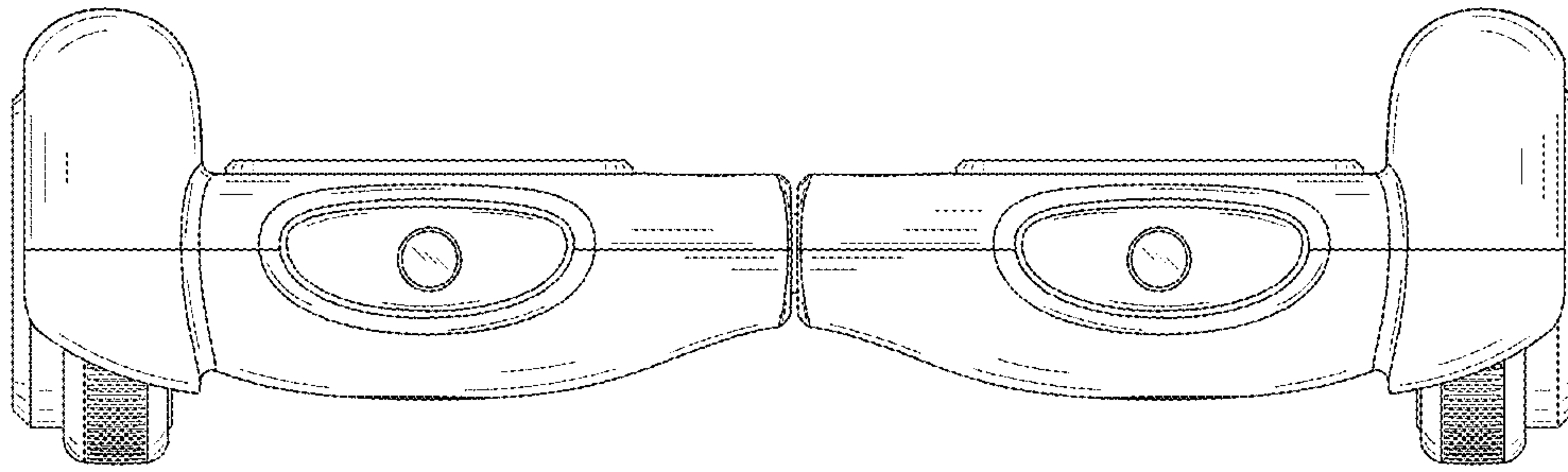


FIG. 1

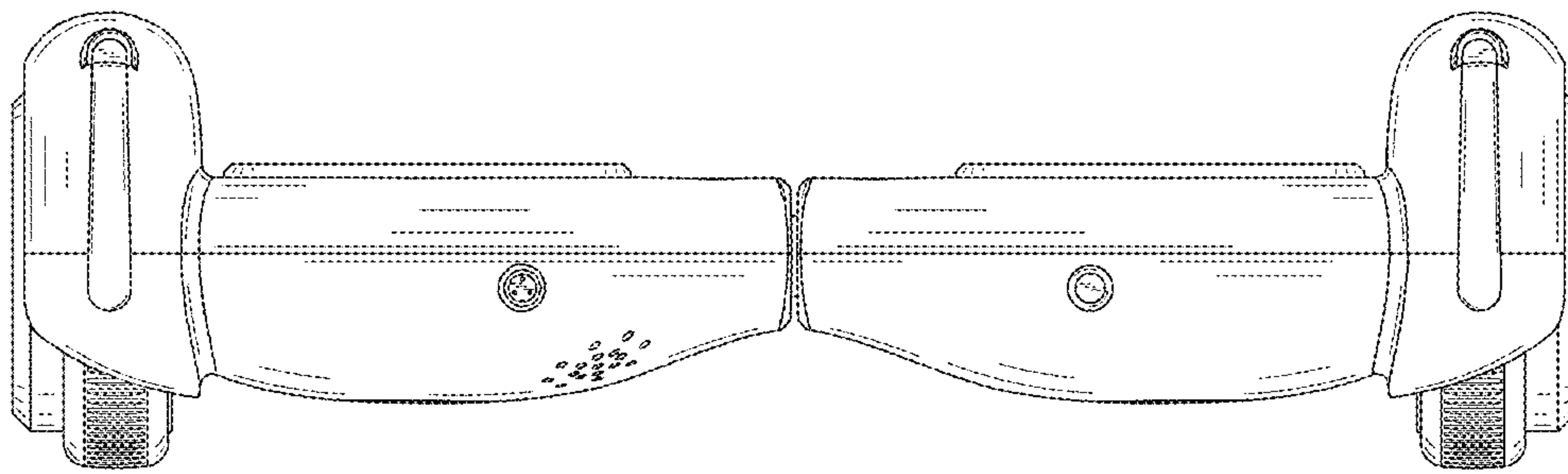


FIG. 2

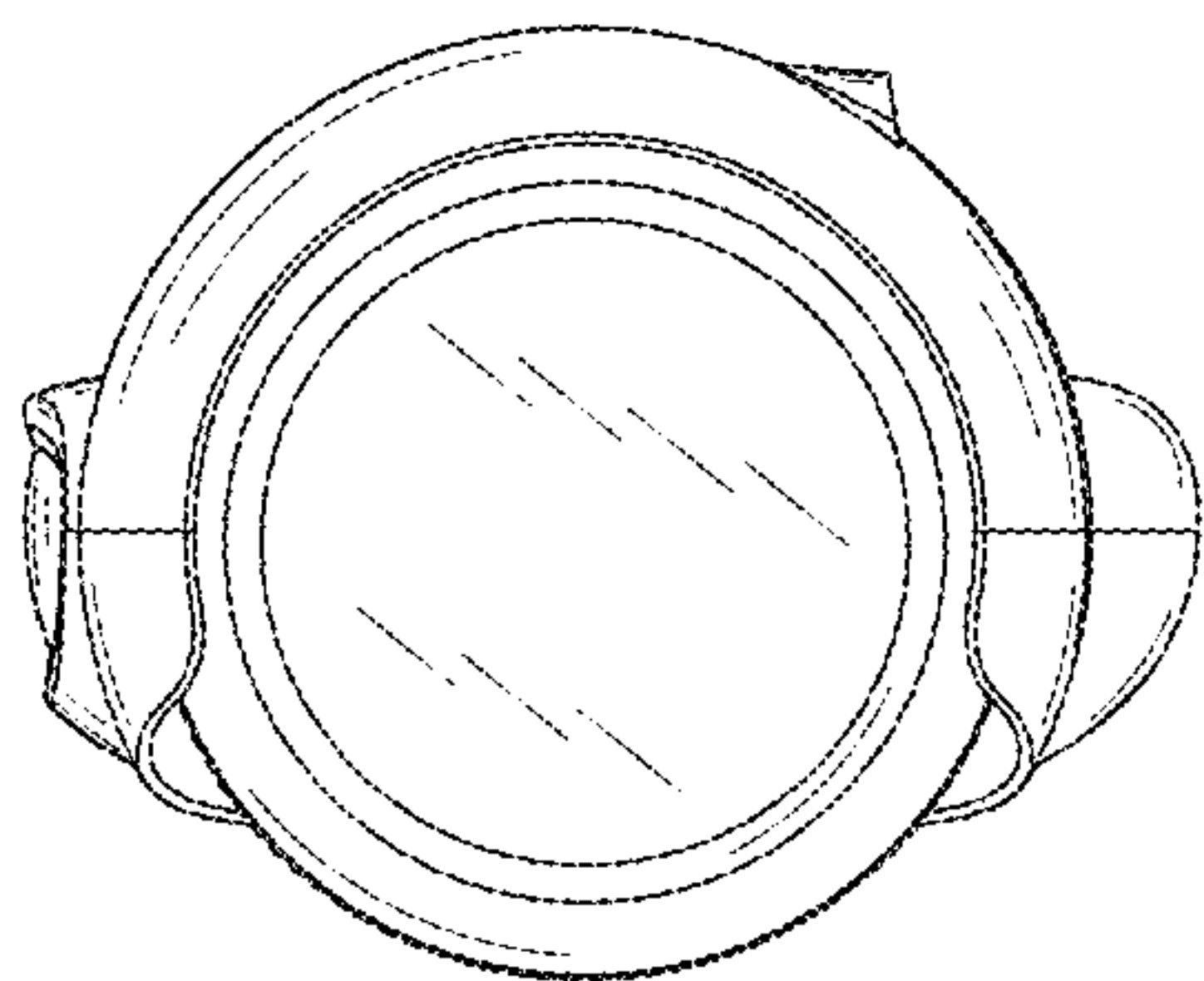


FIG. 3

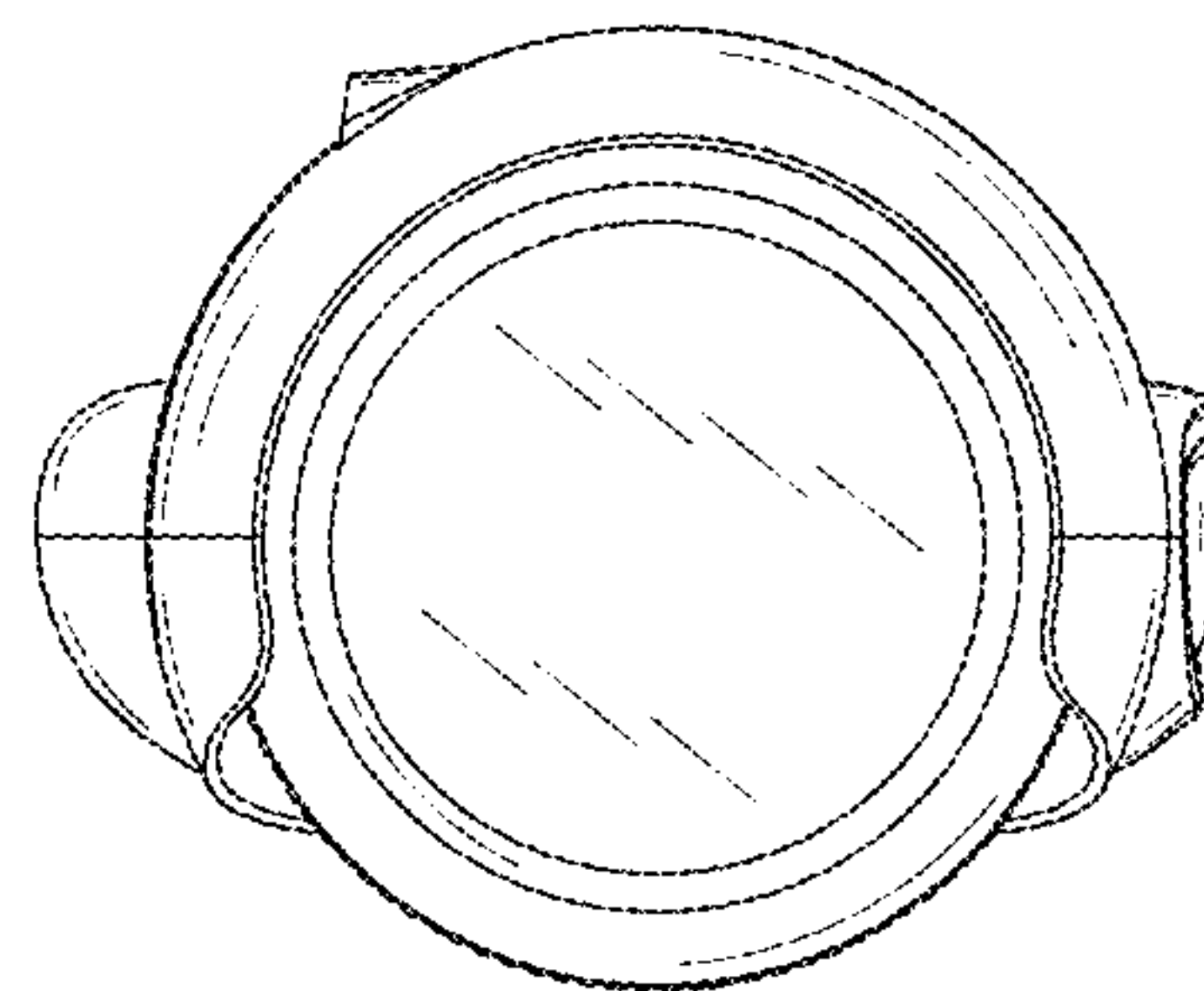


FIG. 4

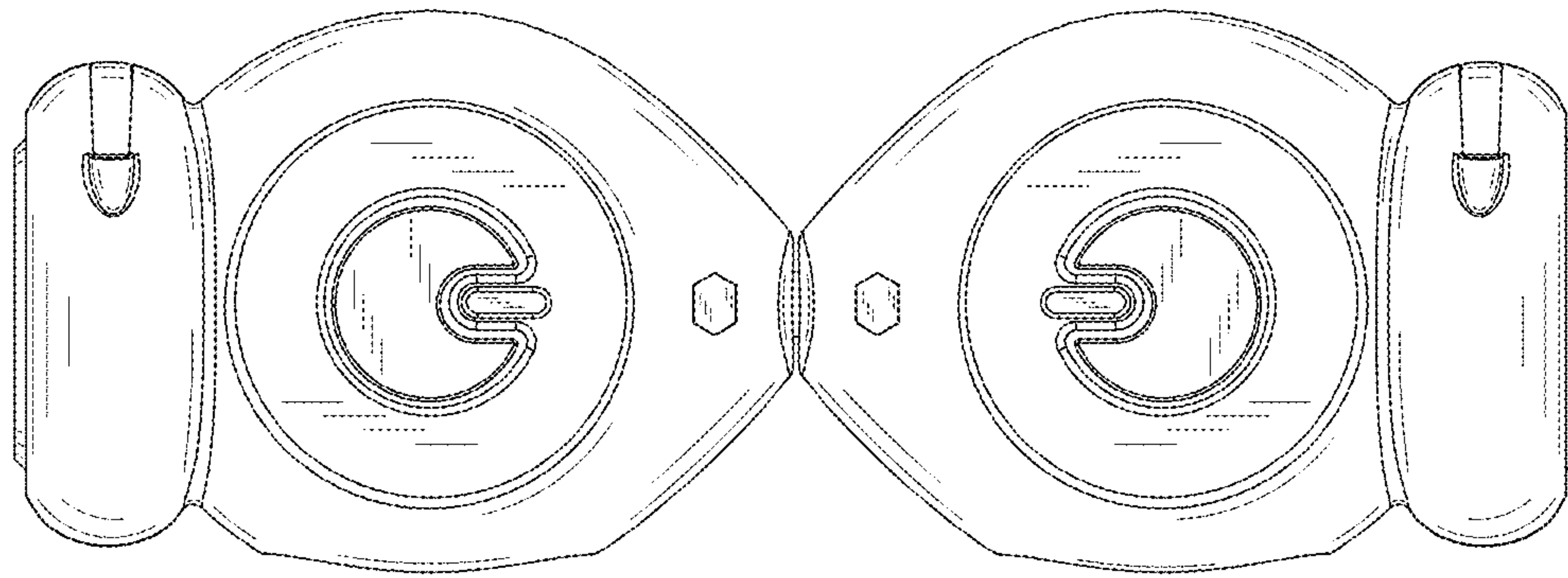


FIG. 5

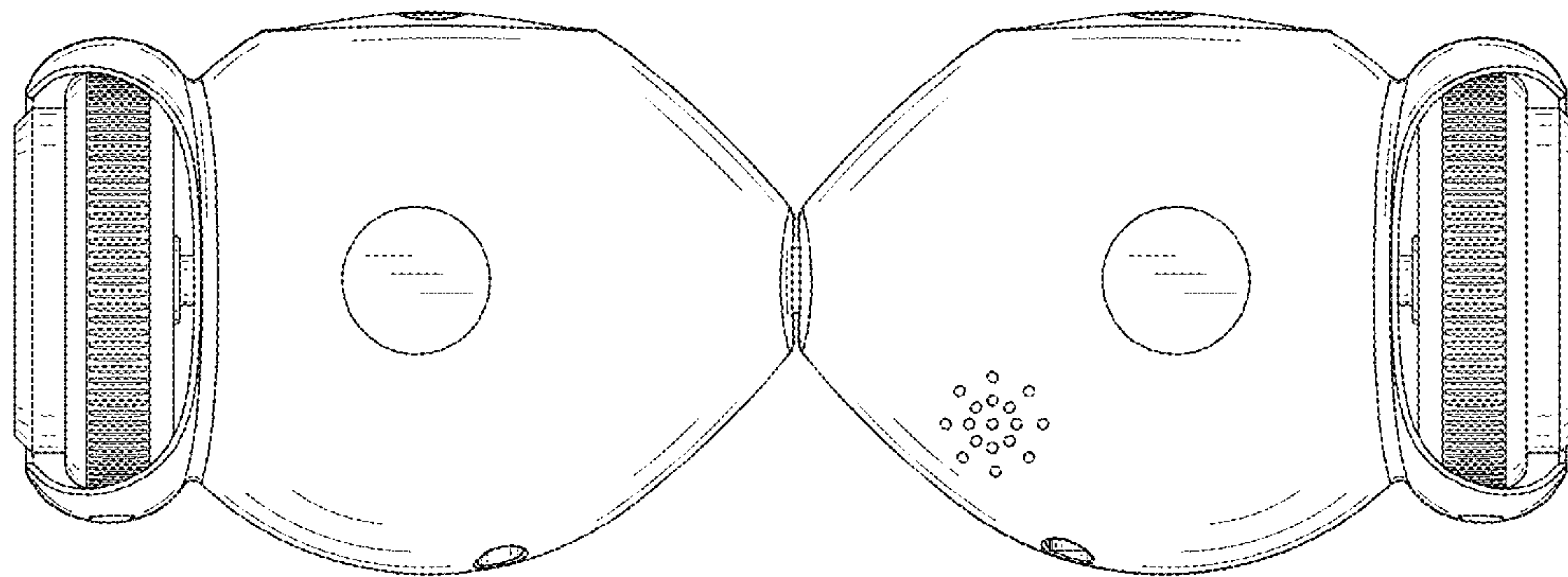


FIG. 6

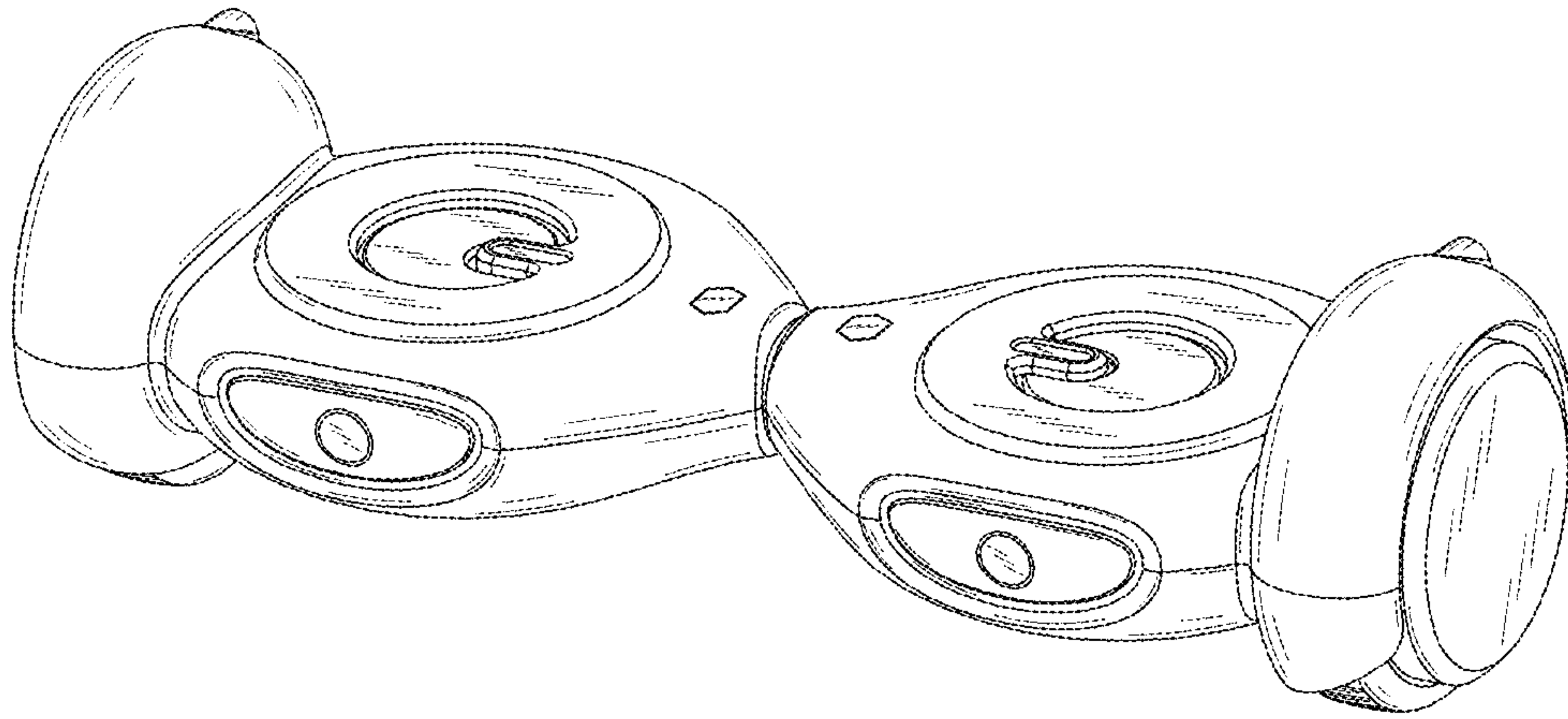


FIG. 7

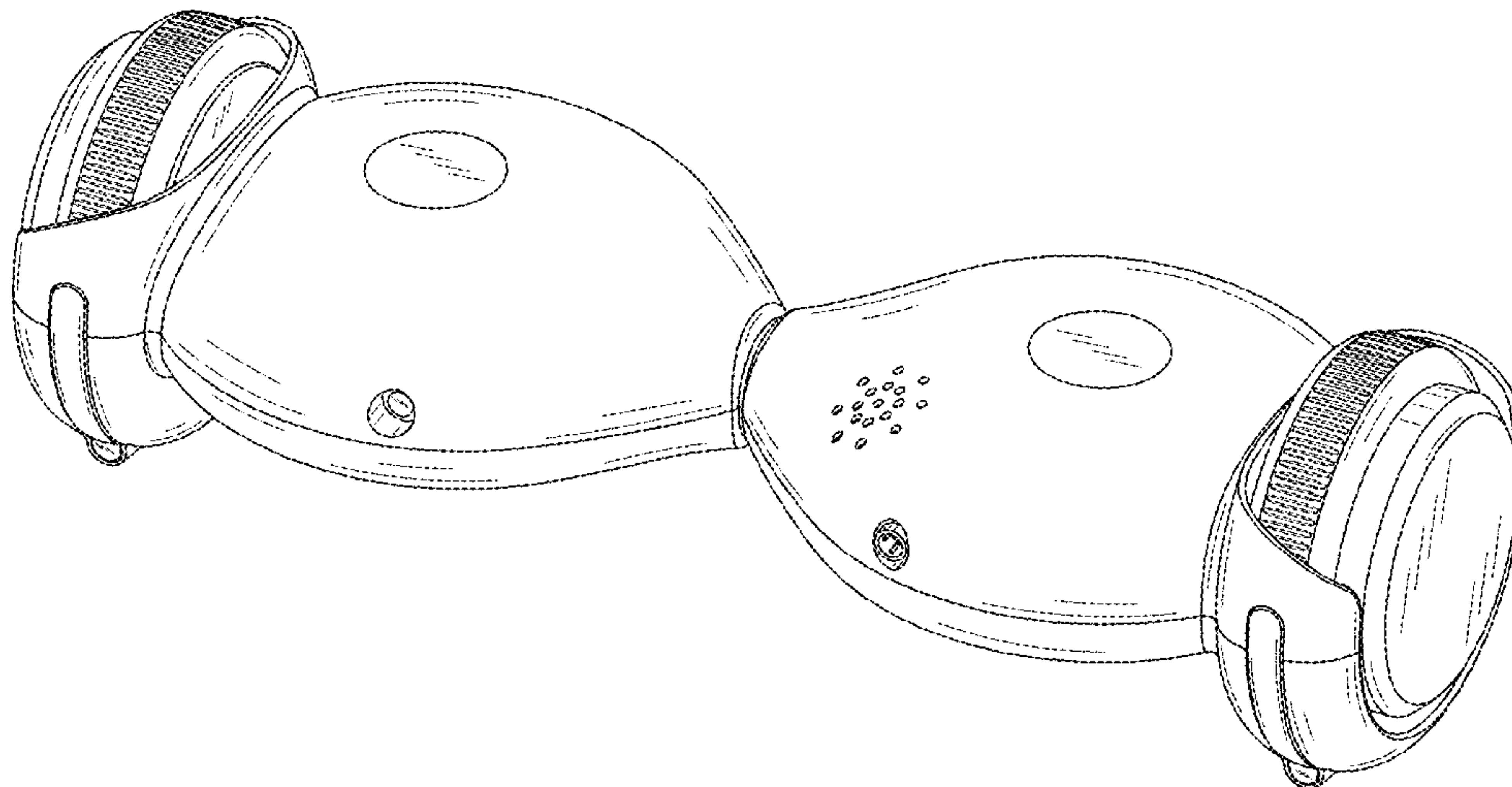


FIG. 8