



US00D812519S

(12) **United States Design Patent**
Macari et al.

(10) **Patent No.:** **US D812,519 S**
(45) **Date of Patent:** **** Mar. 13, 2018**

- (54) **PLATFORM FOR PLANTS**
- (71) Applicant: **Clean Roots, Inc.**, Greene, RI (US)
- (72) Inventors: **Alfred Antonio Macari**, Greene, RI (US); **Joseph Anthony Lupo**, Warwick, RI (US)
- (73) Assignee: **Clean Roots, LLC**, Greene, RI (US)
- (**) Term: **15 Years**
- (21) Appl. No.: **29/589,623**
- (22) Filed: **Jan. 3, 2017**

Related U.S. Application Data

- (63) Continuation of application No. 29/548,959, filed on Dec. 17, 2015, now abandoned, which is a continuation of application No. 29/519,776, filed on Mar. 7, 2015, now Pat. No. Des. 764,205.

(51) **LOC (11) Cl.** **11-02**

(52) **U.S. Cl.**
USPC **D11/164**

(58) **Field of Classification Search**
USPC D6/403-405, 556-558; D7/509, 523; D9/516, 537, 540, 548, 549; D11/143-156, 164
CPC . A01G 9/042; A01G 9/02; A01G 9/04; A01G 9/10; A01G 9/102; A01G 9/1026; A01G 9/104; A47G 7/06; A47G 7/08
See application file for complete search history.

(56) **References Cited**

U.S. PATENT DOCUMENTS

- 515,032 A * 2/1894 Vestal A01G 9/104
47/73
- D33,478 S * 10/1900 Kelly D7/409

- 903,227 A * 11/1908 Pruden A47G 7/00
206/216
- 1,168,374 A * 1/1916 Barker A63F 1/18
235/90
- 1,826,640 A * 10/1931 Sturgis A01K 9/00
248/214
- 1,906,999 A * 5/1933 Parker A47J 37/108
99/349
- 2,880,953 A * 4/1959 Dicks B44D 3/14
248/210
- D241,875 S * 10/1976 Insalaco D11/164
- 4,833,823 A * 5/1989 Edwards, III A01G 9/04
108/53.3
- 5,375,370 A * 12/1994 Zimmerman A47G 7/07
248/188
- D365,541 S * 12/1995 Hirsch D11/164
- D408,227 S * 4/1999 Swann, Jr. D7/624.1

(Continued)

Primary Examiner — Elizabeth Albert

(74) *Attorney, Agent, or Firm* — Adler Pollock & Sheehan P.C.; Daniel J. Holmander

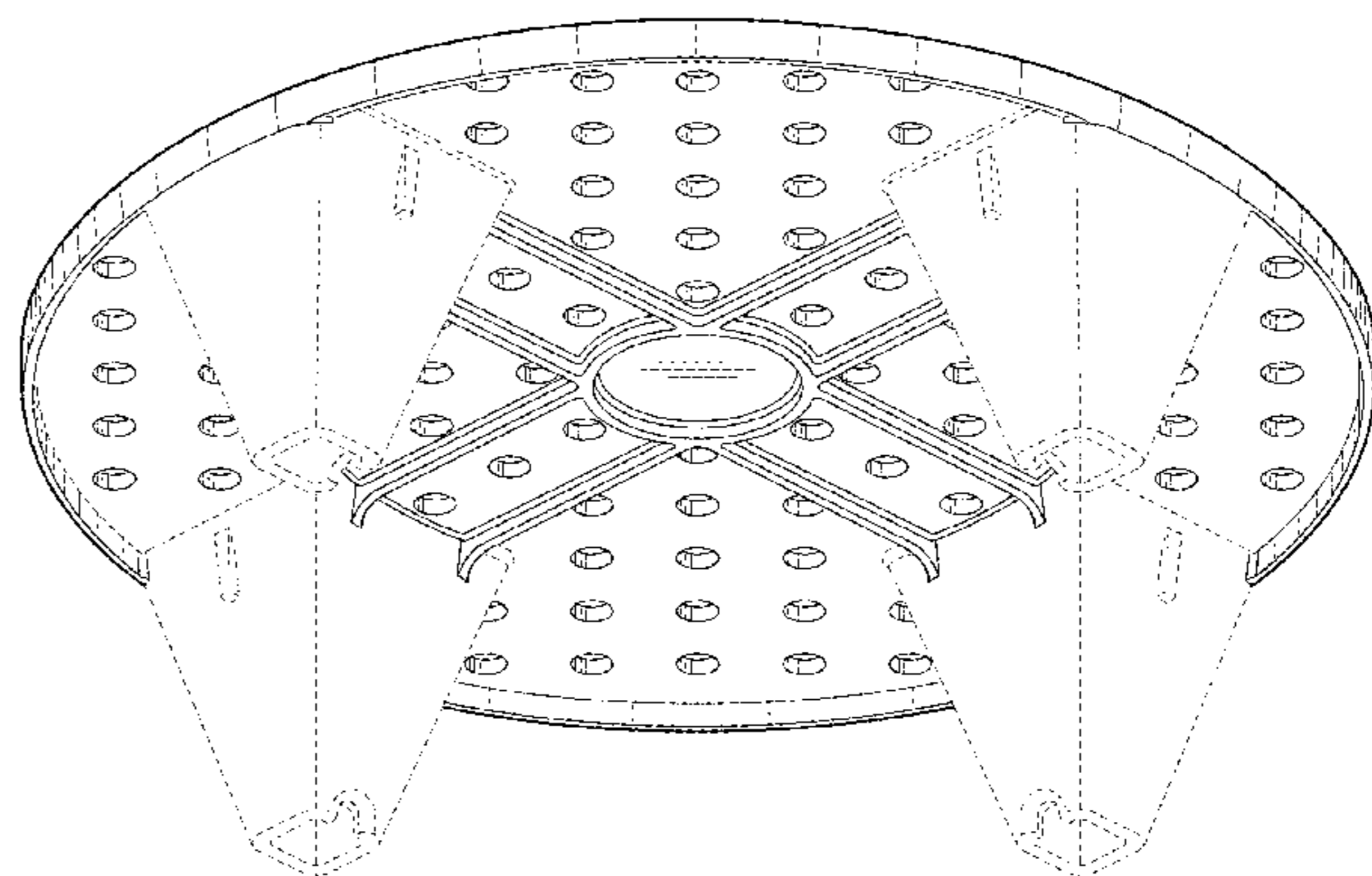
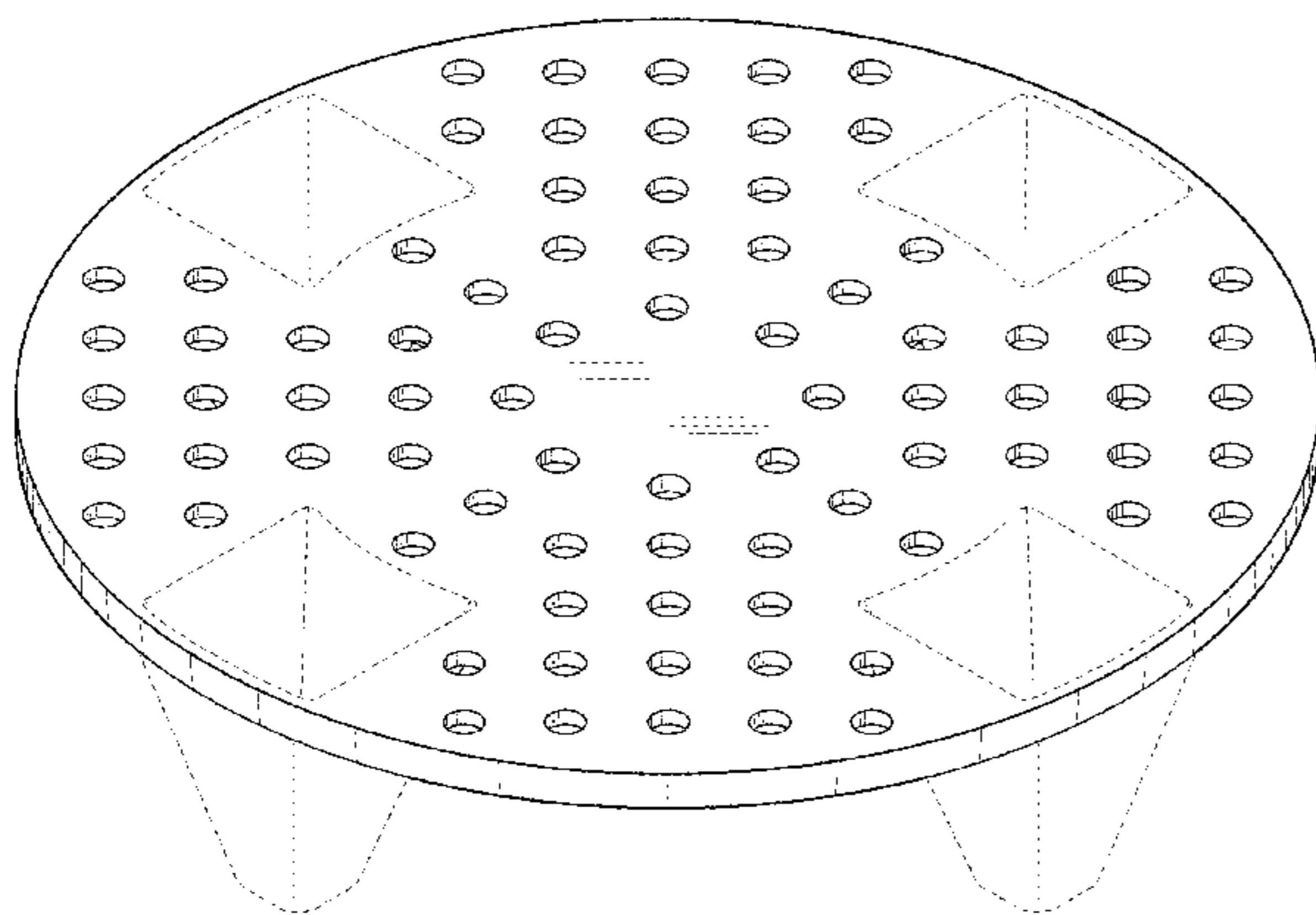
(57) **CLAIM**

The ornamental design for a platform for plants, as shown and described.

DESCRIPTION

FIG. 1 is a front perspective view of the platform for plants; FIG. 2 is a rear perspective view of the platform for plants of FIG. 1; FIG. 3 is a front view of the platform for plants of FIG. 1; FIG. 4 is a side view of the platform for plants of FIG. 1; FIG. 5 is a top view of the platform for plants of FIG. 1; and, FIG. 6 is a bottom view of the platform for plants of FIG. 1. The broken line showings of the platform for plants are included for the purpose of illustrating portions of the platform for plants and form no part of the claimed design.

1 Claim, 6 Drawing Sheets



(56)

References Cited

U.S. PATENT DOCUMENTS

D435,481	S	*	12/2000	Wagner	D11/152
D504,248	S	*	4/2005	Wagner	D6/403
D504,249	S	*	4/2005	Wagner	D6/403
D505,564	S	*	5/2005	Wagner	D6/403
D505,590	S	*	5/2005	Greiner	D7/323
D529,838	S	*	10/2006	Boling	D11/164
D577,159	S	*	9/2008	Hasapoglou	D30/128
D611,300	S	*	3/2010	Chen	D7/409
8,033,420	B2	*	10/2011	Roseblade	A47G 19/2211 220/369
D673,005	S	*	12/2012	Lion	D7/354
D690,984	S	*	10/2013	Hauser	D7/354
D741,743	S	*	10/2015	Steier	D11/164
D743,298	S	*	11/2015	Macari	D11/152
D746,955	S	*	1/2016	Corder	D23/261

* cited by examiner

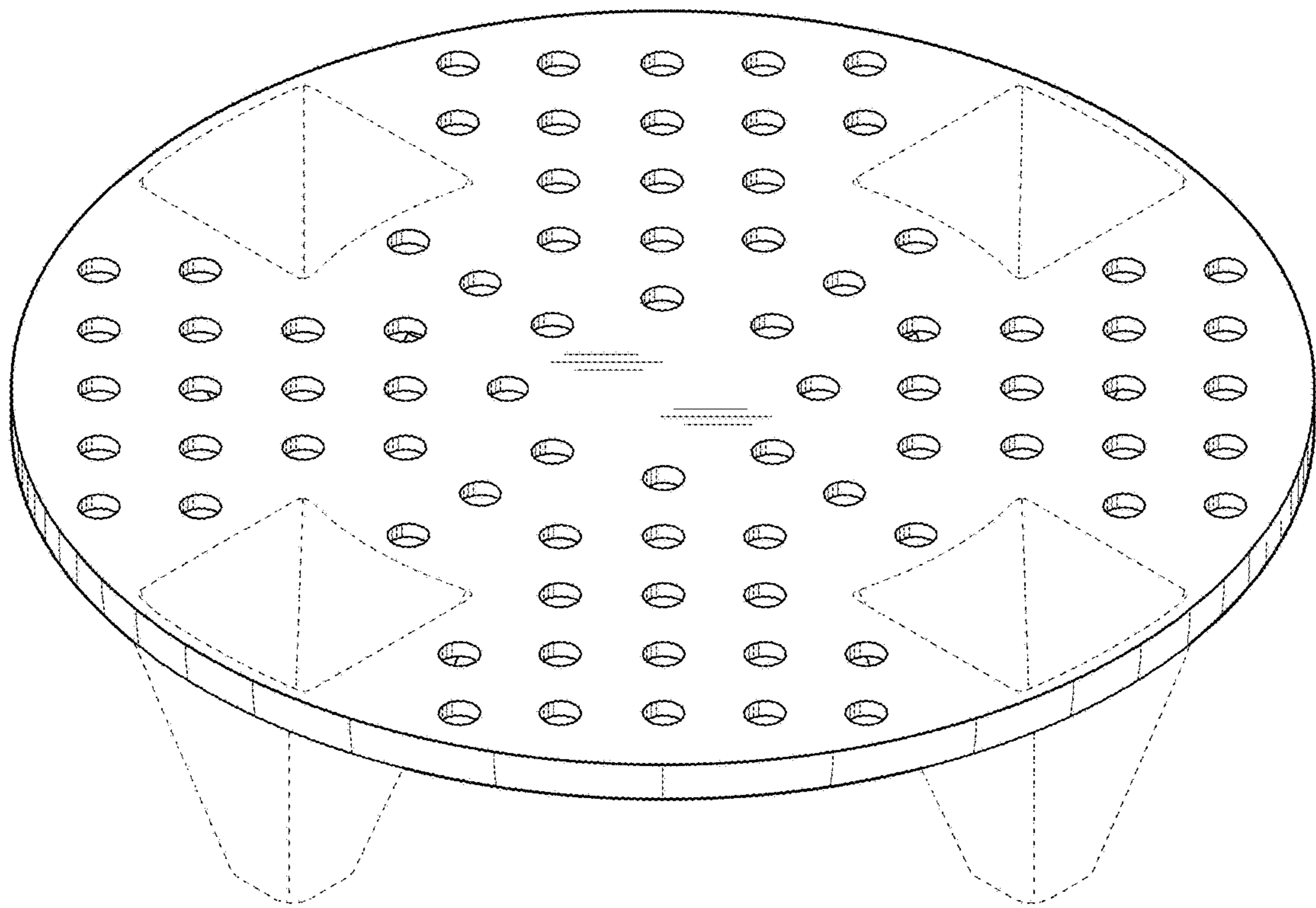


Fig. 1

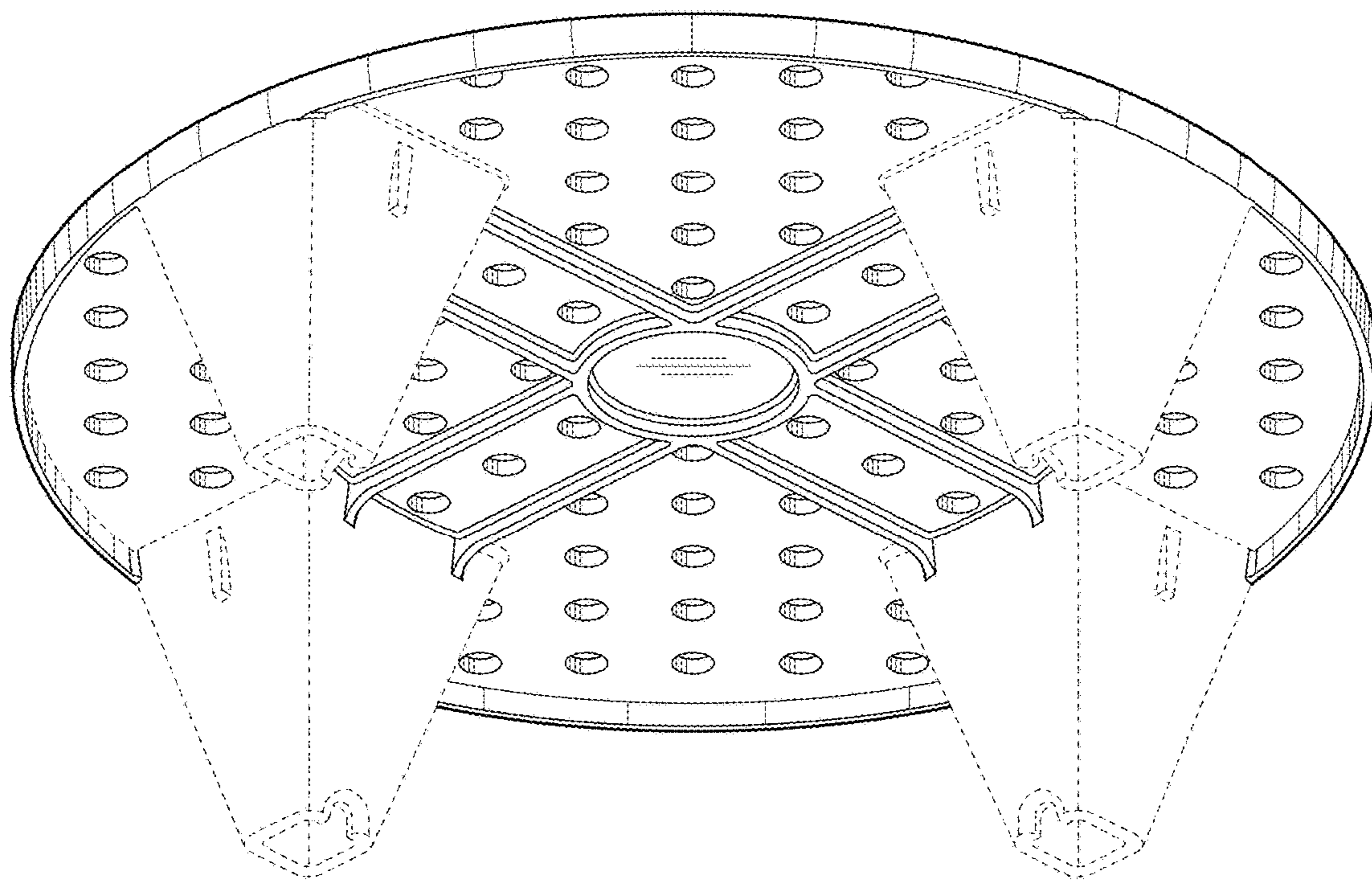


Fig. 2

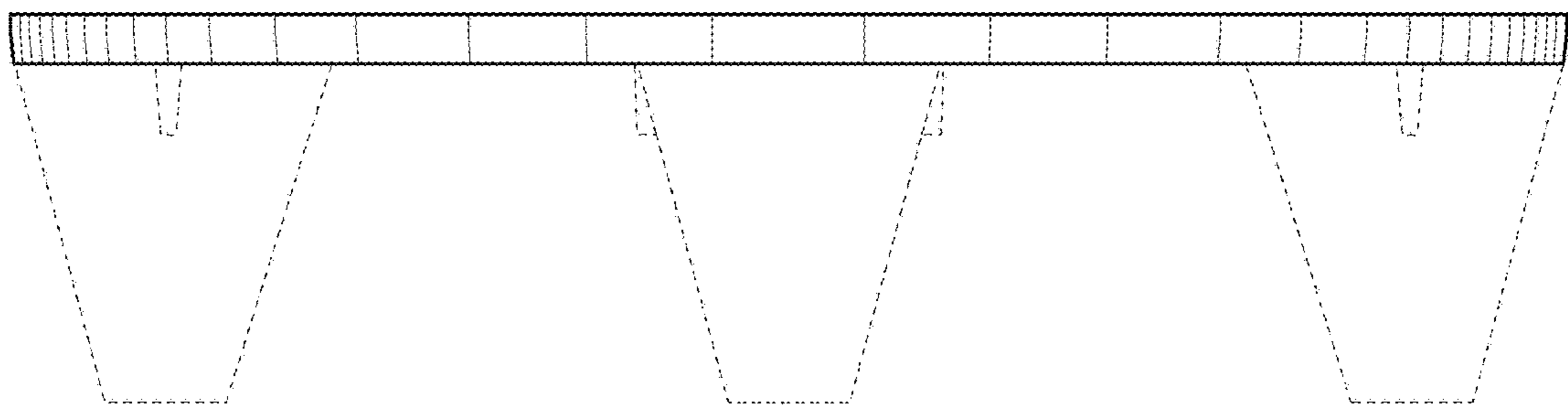


Fig. 3

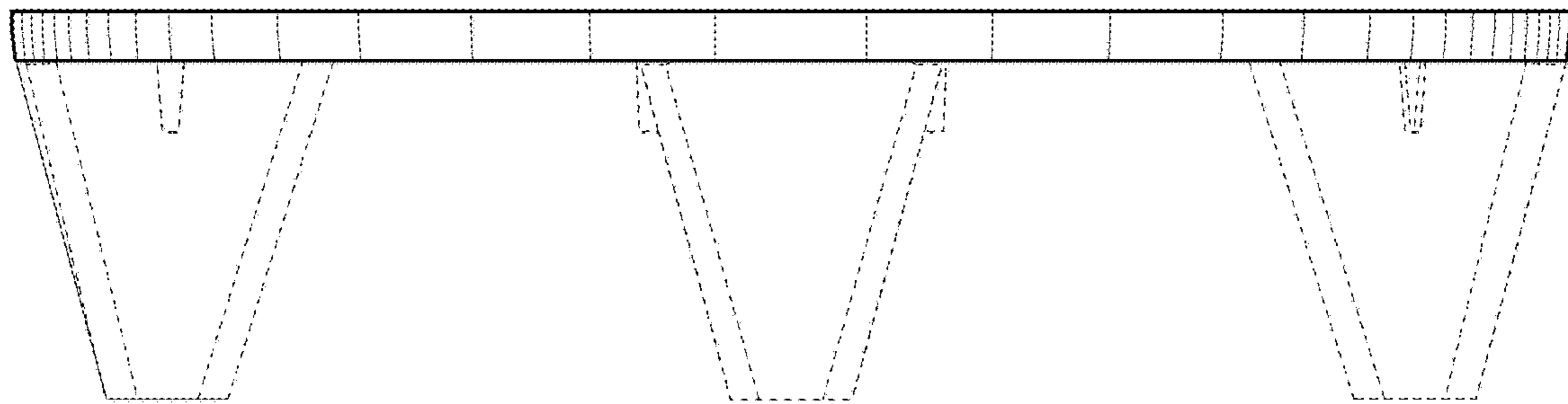


Fig. 4

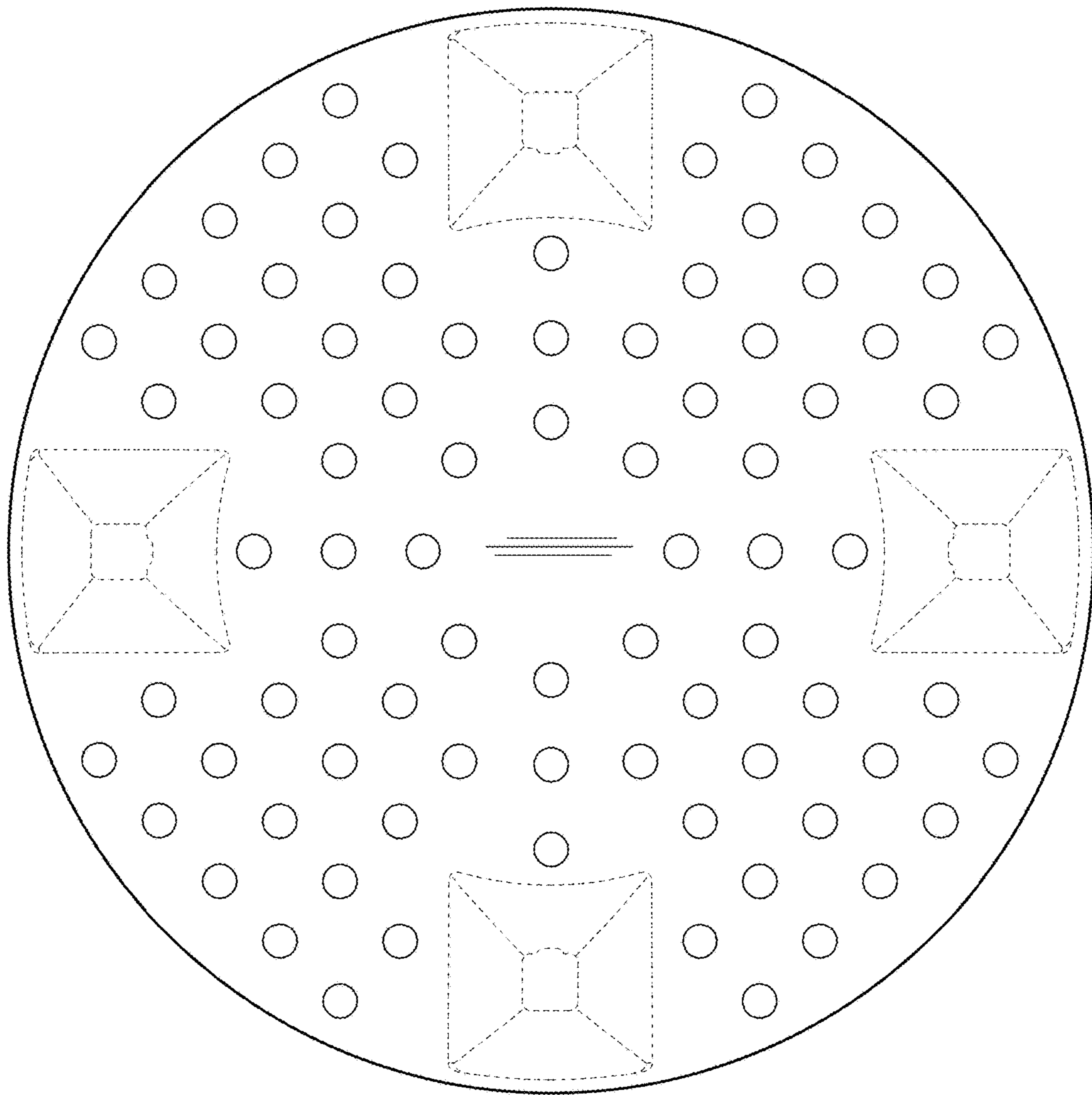


Fig. 5

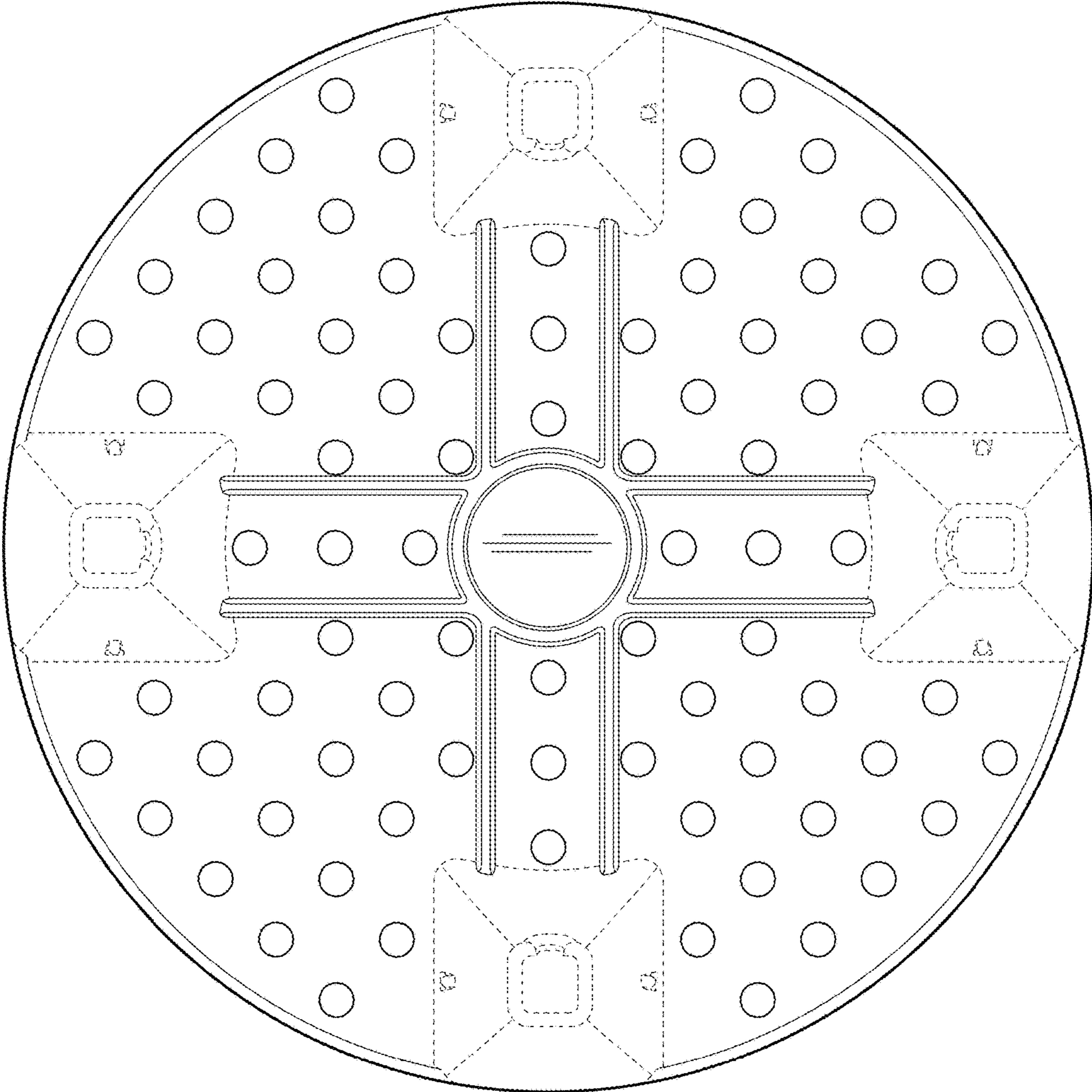


Fig. 6