



US00D812518S

(12) **United States Design Patent**
Yep

(10) **Patent No.:** **US D812,518 S**
(45) **Date of Patent:** **** Mar. 13, 2018**

- (54) **SETTING FOR A RING**
- (71) Applicant: **Mau Koung Yep**, Tortola (VG)
- (72) Inventor: **Mau Koung Yep**, Tortola (VG)
- (**) Term: **15 Years**
- (21) Appl. No.: **29/601,260**
- (22) Filed: **Apr. 20, 2017**
- (51) **LOC (11) Cl.** **11-01**
- (52) **U.S. Cl.**
USPC **D11/92**
- (58) **Field of Classification Search**
USPC D11/1, 2, 26-39, 40-44, 79-86, 91, 92;
63/26-28
CPC A44C 9/00; A44C 9/0007; A44C 9/0015;
A44C 9/0023; A44C 9/003; A44C
9/0038; A44C 9/0046; A44C 9/0053;
A44C 9/0061; A44C 9/0069; A44C
9/0076; A44C 17/02; A44C 17/0208;
A44C 17/0216; A44C 17/0225; A44C
17/0233; A44C 17/0241; A44C 17/025;
A44C 17/0258; A44C 17/0266; A44C
17/0275; A44C 17/0283; A44C 17/0291
See application file for complete search history.

D680,898 S *	4/2013	Dholakiya	D11/40
D697,451 S *	1/2014	Dholakiya	D11/91
D697,831 S *	1/2014	Dholakiya	D11/91
D703,090 S *	4/2014	Dholakiya	D11/91
D703,091 S *	4/2014	Dholakiya	D11/91
D712,302 S *	9/2014	Dholakiya	D11/91
D712,303 S *	9/2014	Dholakiya	D11/91
D718,181 S *	11/2014	Kothari	D11/92
D791,012 S *	7/2017	Krainz	D11/34
2009/0056376 A1 *	3/2009	Lin	A44C 17/046 63/28

OTHER PUBLICATIONS

[Online] <http://www.since1910.com/images/products/flyerfit-pave-diamond-halo-setting-vm02-1-C.png>. Retrieved Dec. 20, 2017.*

* cited by examiner

Primary Examiner — Melanie Pellegrini
(74) *Attorney, Agent, or Firm* — Michael J. Feigin, Esq.;
Feigin and Fridman LLC

(57) **CLAIM**

The ornamental design for a setting for a ring, as shown and described.

DESCRIPTION

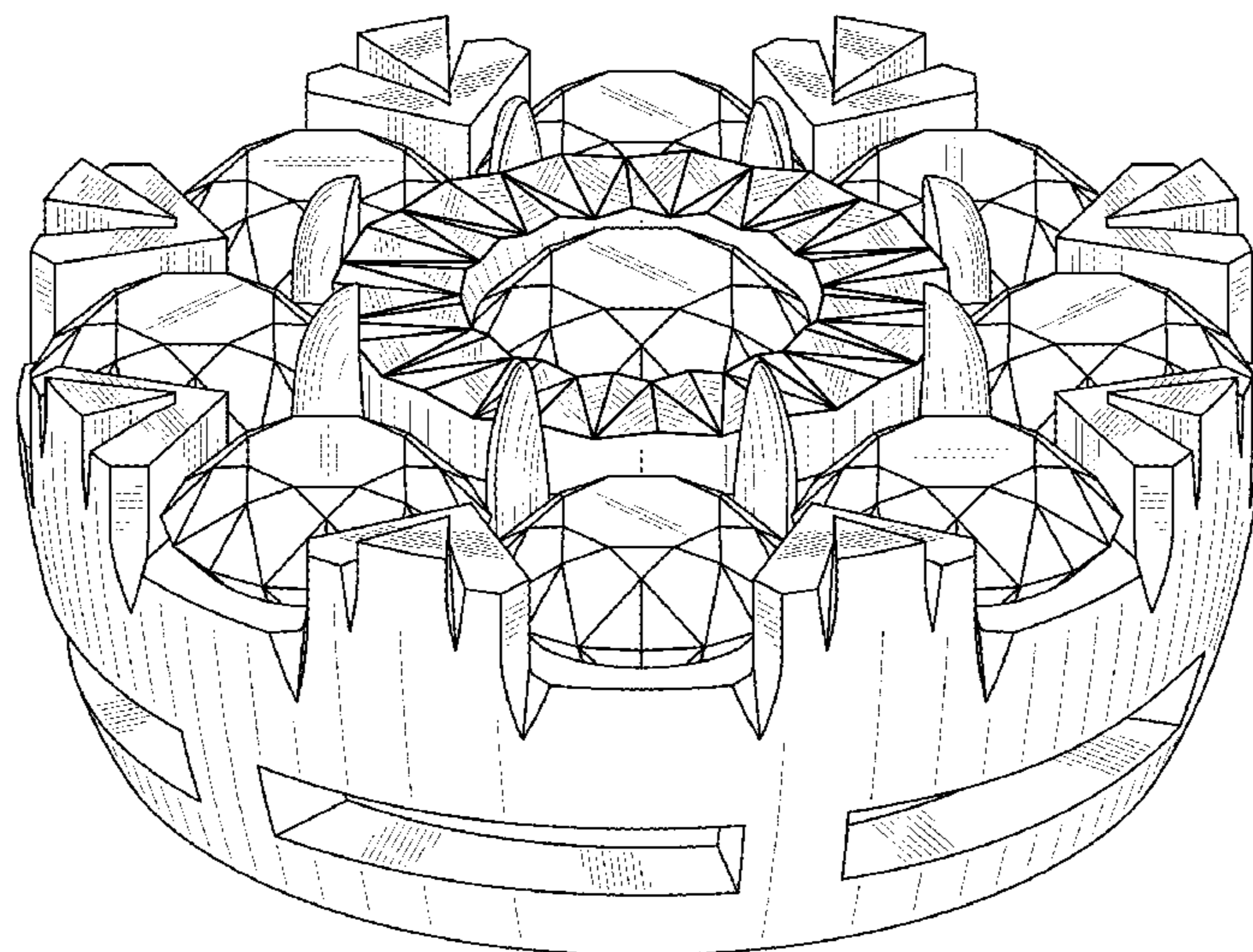
FIG. 1 is a top perspective view of a setting for a ring;
FIG. 2 is a bottom perspective view thereof;
FIG. 3 is a top plan view thereof;
FIG. 4 is a bottom plan view thereof;
FIG. 5 a front elevational view thereof, the rear elevational view being a mirror image thereto; and,
FIG. 6 is a left side elevational view thereof, the right side elevational view being a mirror image thereto.
The broken lines shown in the drawings illustrate portions of the setting for a ring that form no part of the claimed design.

1 Claim, 5 Drawing Sheets

(56) **References Cited**

U.S. PATENT DOCUMENTS

D55,597 S *	7/1920	Felger	D11/91
D58,307 S *	7/1921	Davidson	D11/90
D444,098 S *	6/2001	Hurwitz	D11/90
D641,651 S *	7/2011	Kothari	D11/40
D642,087 S *	7/2011	Kothari	D11/40
D643,327 S *	8/2011	Kothari	D11/40
D647,423 S *	10/2011	Khimavat	D11/40
D648,651 S *	11/2011	Sin	D11/40
D654,394 S *	2/2012	Kothari	D11/40
D680,897 S *	4/2013	Li	D11/91



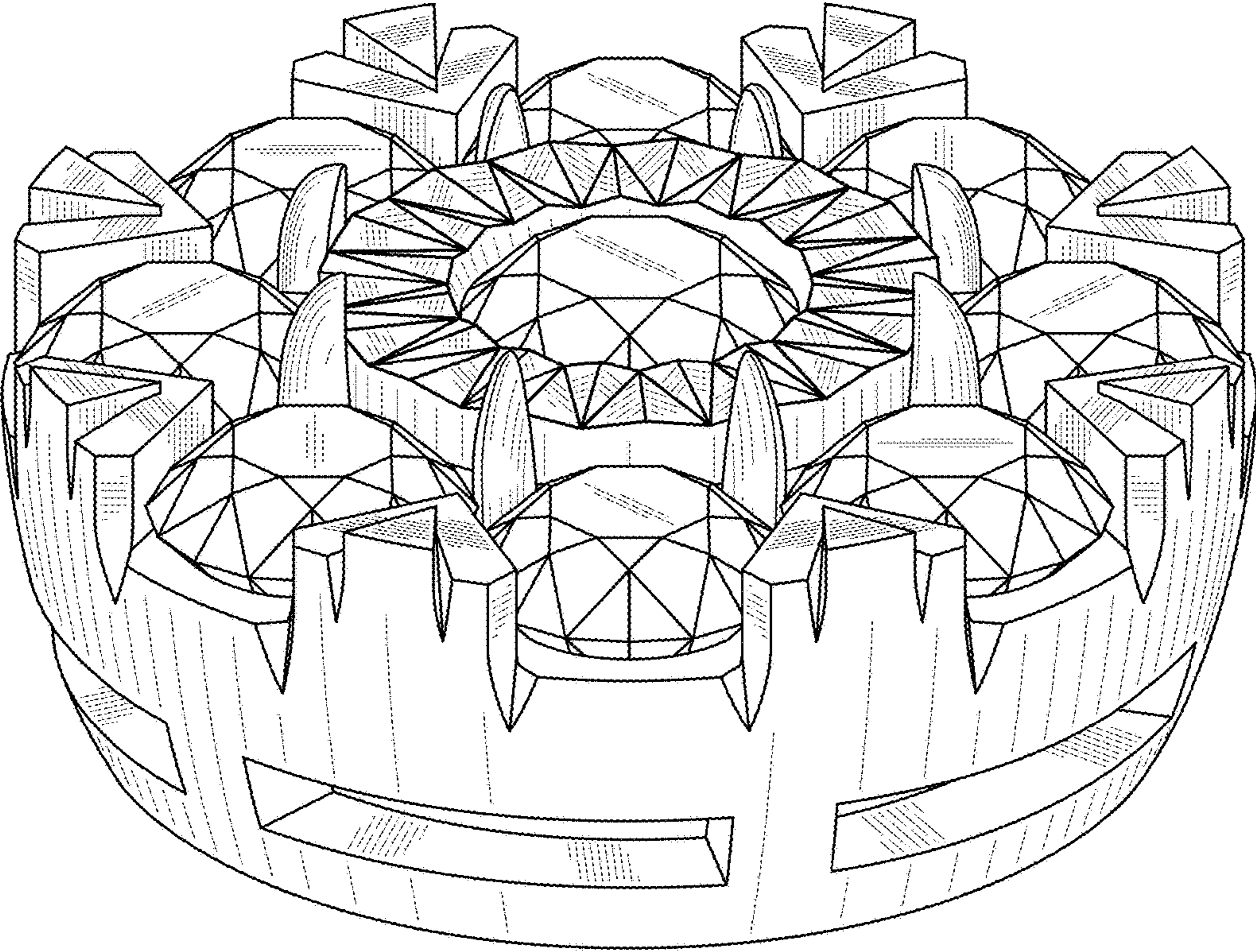


FIG. 1

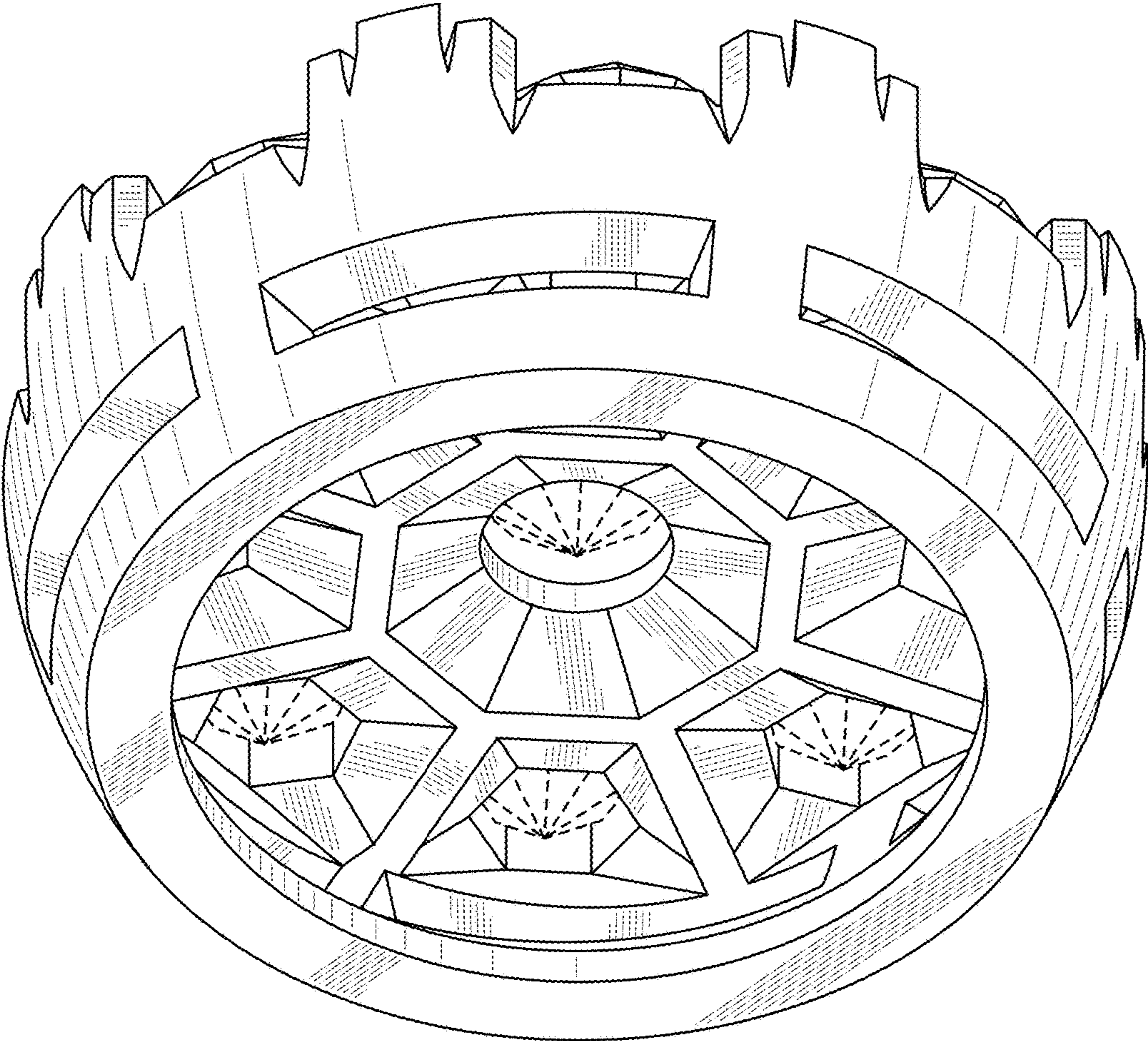


FIG. 2

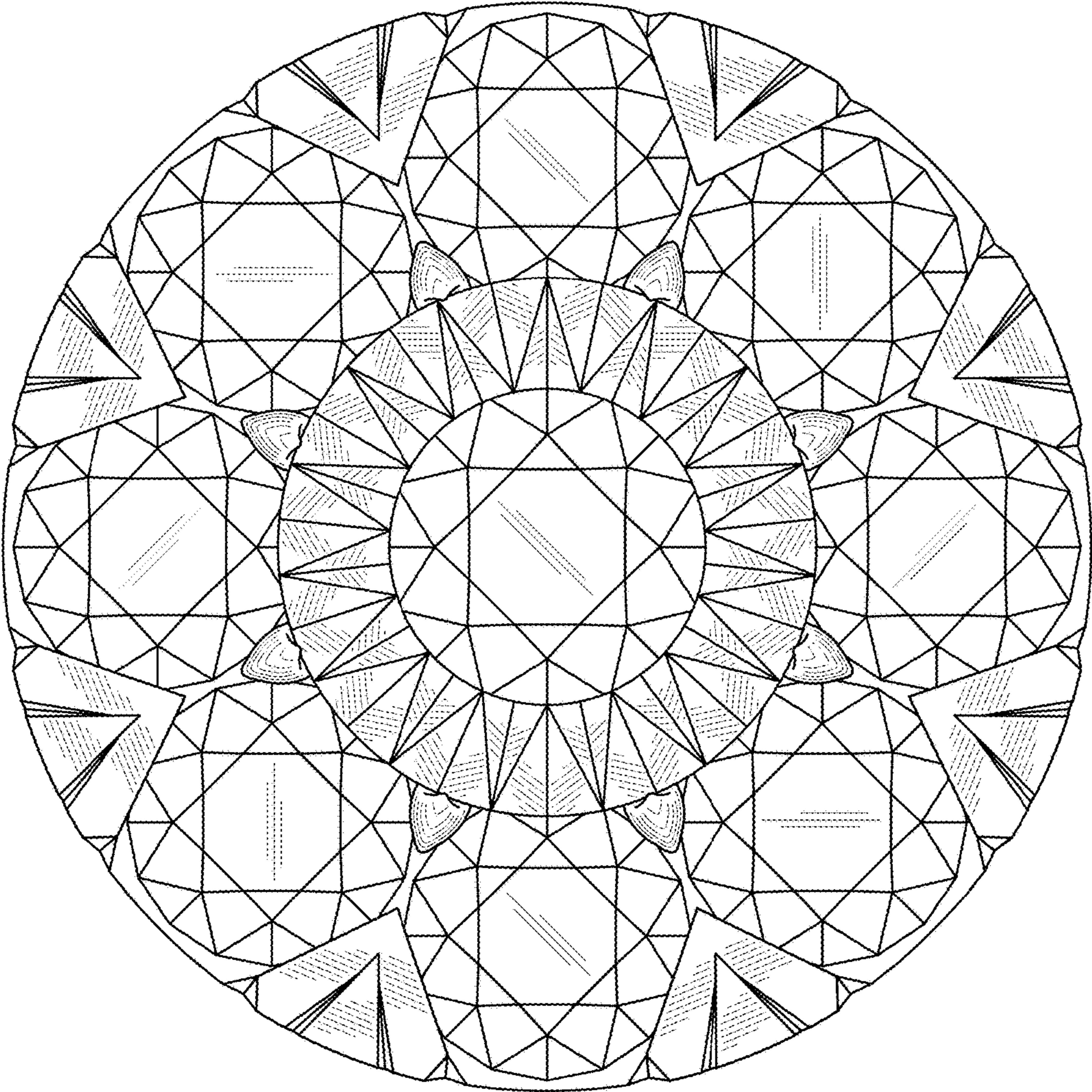


FIG. 3

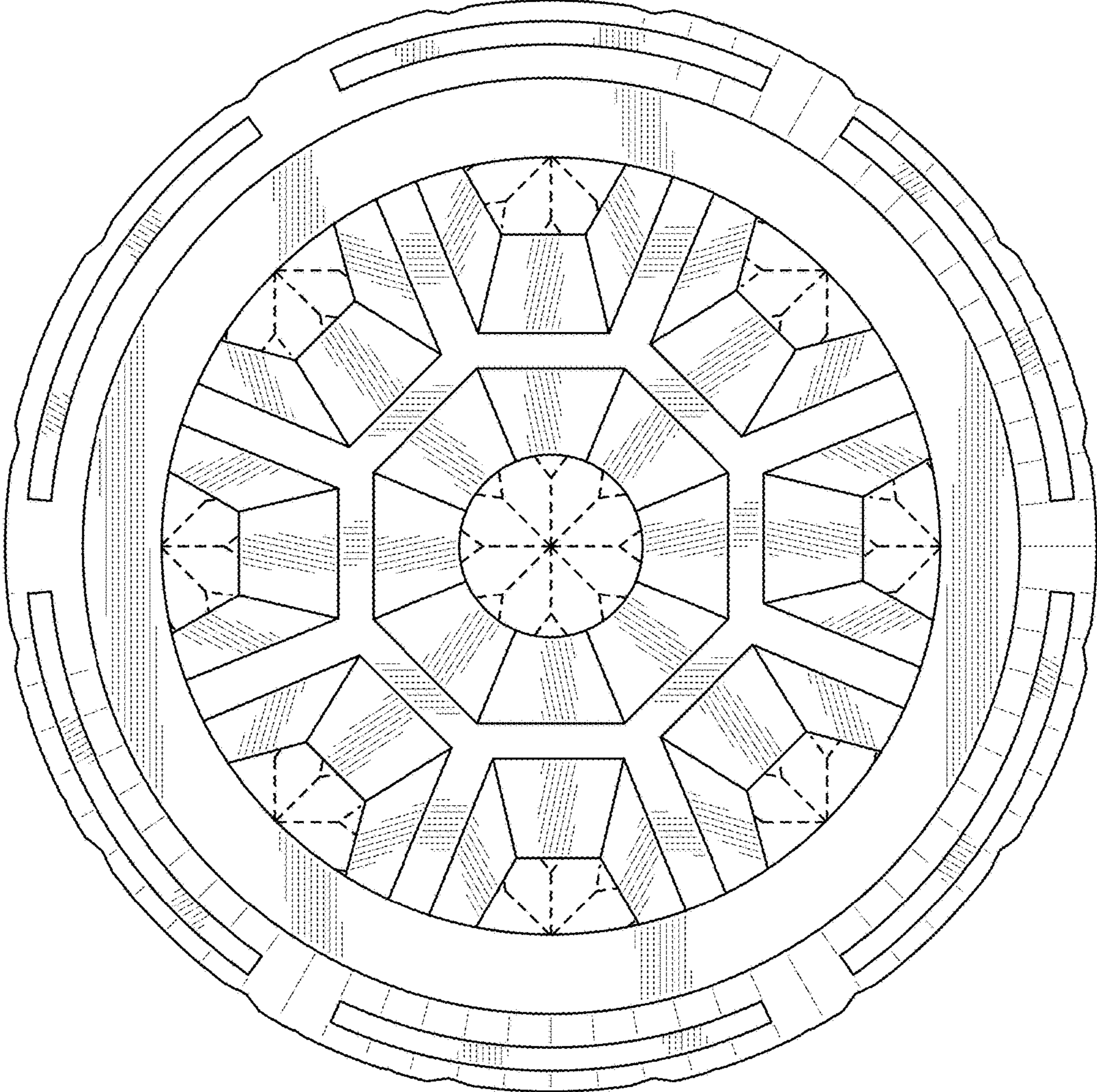


FIG. 4

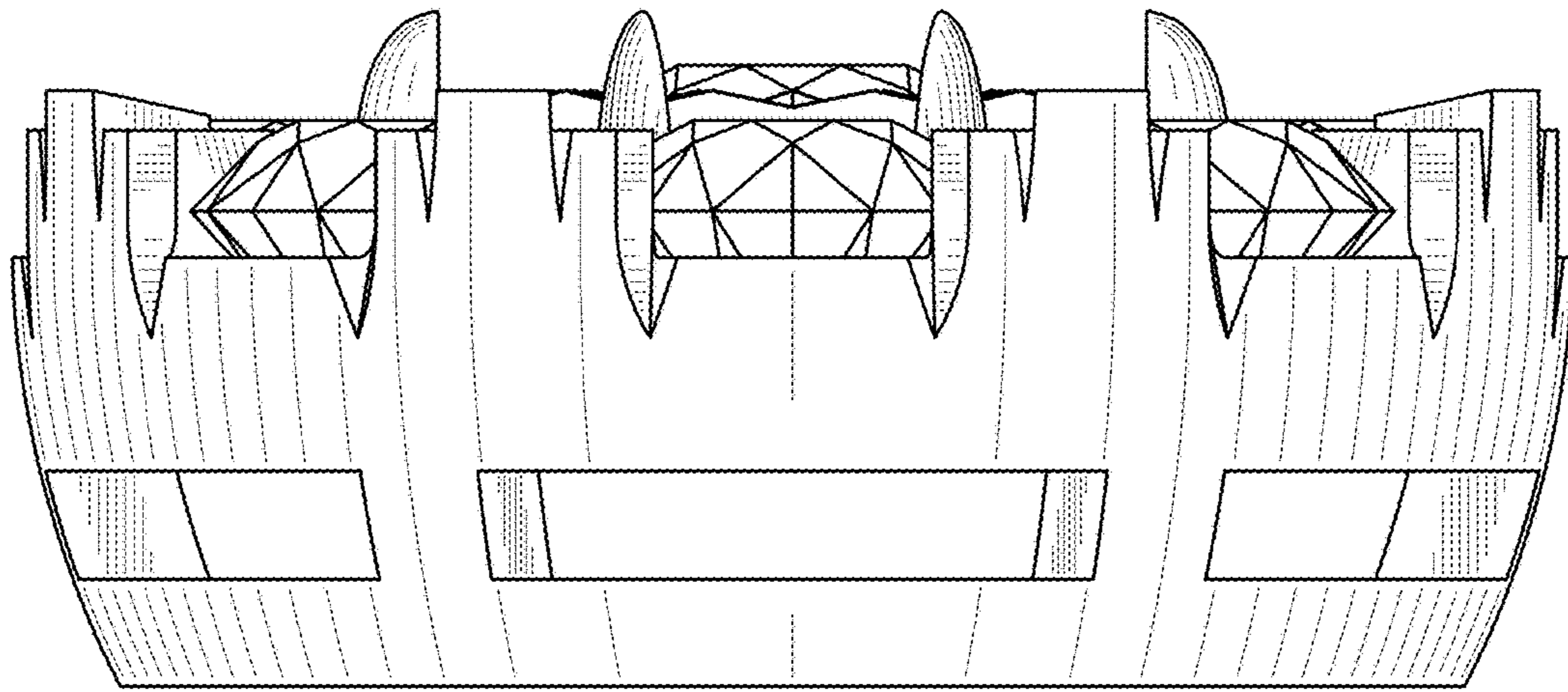


FIG. 5

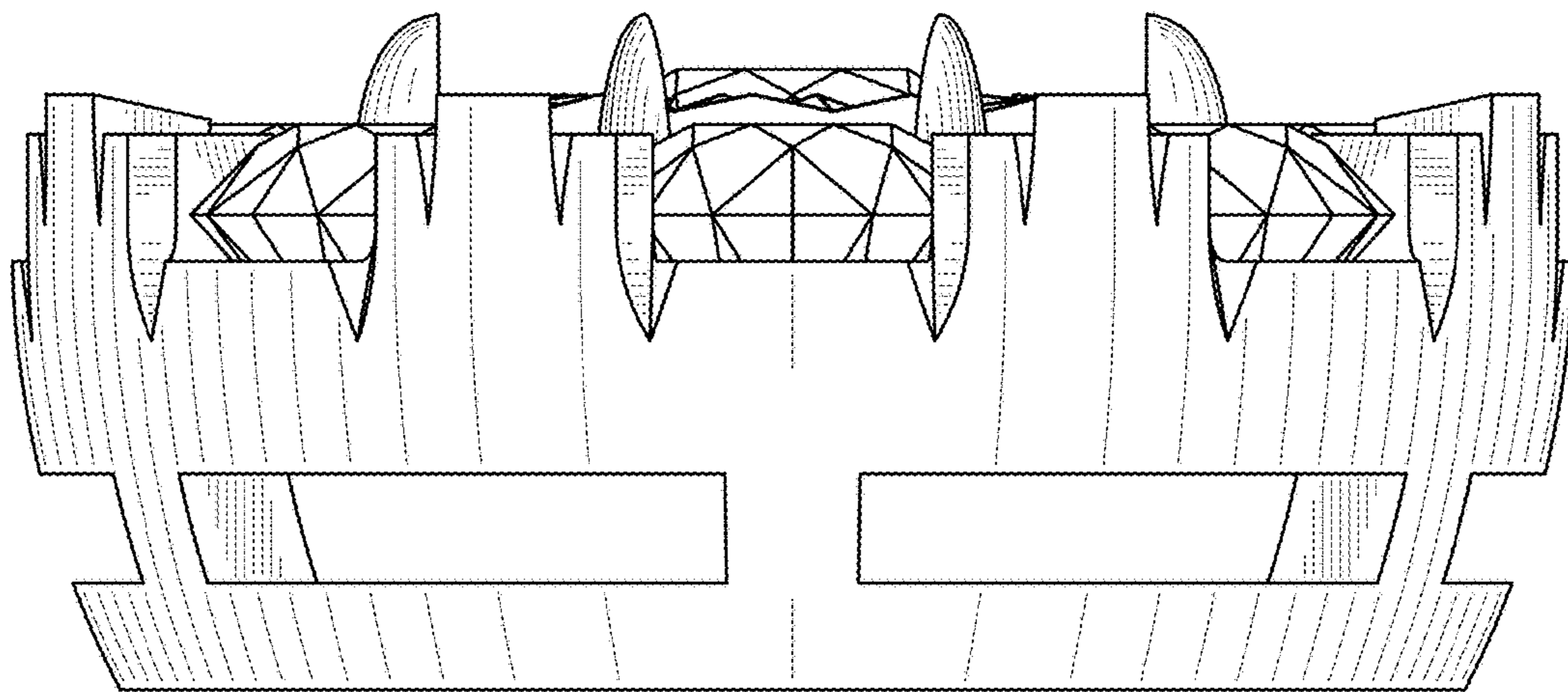


FIG. 6