



US00D812515S

(12) **United States Design Patent**
Shah

(10) **Patent No.:** **US D812,515 S**
(45) **Date of Patent:** **** Mar. 13, 2018**

- (54) **GEMSTONE JEWELRY**
- (71) Applicant: **Saneal Shah**, Mumbai (IN)
- (72) Inventor: **Saneal Shah**, Mumbai (IN)
- (**) Term: **15 Years**
- (21) Appl. No.: **29/588,241**
- (22) Filed: **Dec. 19, 2016**

Related U.S. Application Data

- (63) Continuation-in-part of application No. 15/383,485, filed on Dec. 19, 2016, which is a continuation-in-part of application No. 15/383,282, filed on Dec. 19, 2016.
- (51) **LOC (11) Cl.** **11-01**
- (52) **U.S. Cl.**
USPC **D11/90**
- (58) **Field of Classification Search**
USPC D11/1-2, 26-29, 89-92; 63/26-28, 32
CPC A44C 17/00; A44C 17/01; A44C 17/005;
A44C 17/007; A44C 17/008
See application file for complete search history.

(56) **References Cited**

U.S. PATENT DOCUMENTS

D537,379 S *	2/2007	Namdar	D11/90
D581,828 S *	12/2008	Mehta	D11/90
D640,951 S *	7/2011	Parikh	D11/90
8,215,126 B2	7/2012	Mattar		
D678,112 S *	3/2013	Jhaveri	D11/90
D678,113 S *	3/2013	Jhaveri	D11/90
D785,496 S *	5/2017	Shah	D11/90
D786,126 S *	5/2017	Shah	D11/90
D791,011 S *	7/2017	Shah	D11/90
2004/0182110 A1	9/2004	Giladi		
2005/0155384 A1	7/2005	Cui		

- 2010/0043493 A1 2/2010 Tsrer
- 2010/0319399 A1 12/2010 Mandell
- 2013/0298604 A1 11/2013 Shah

OTHER PUBLICATIONS

- Shah, Ornamental Design of Gemstone Jewelry, Design U.S. Appl. No. 29/588,224, filed Dec. 19, 2016.
- Shah, Ornamental Design of Gemstone Jewelry, Design U.S. Appl. No. 29/588,234, filed Dec. 19, 2016.
- Shah, Ornamental Design of Gemstone Jewelry, Design U.S. Appl. No. 29/588,241, filed Dec. 19, 2016.
- Shah, Ornamental Design of Gemstone Jewelry, Design U.S. Appl. No. 29/588,243, filed Dec. 19, 2016.
- Shah, Four-Stone Seamless Radiant Cut Diamond and Method for Making the Same, Design U.S. Appl. No. 15/383,485.
- Shah, Four-Stone Seamless Cushion Cut Diamond and Method for Making the Same, Design U.S. Appl. No. 15/383,282.

* cited by examiner

Primary Examiner — Ralf T Seifert

(74) *Attorney, Agent, or Firm* — Cha & Reiter, LLC;
Mirut Dalal

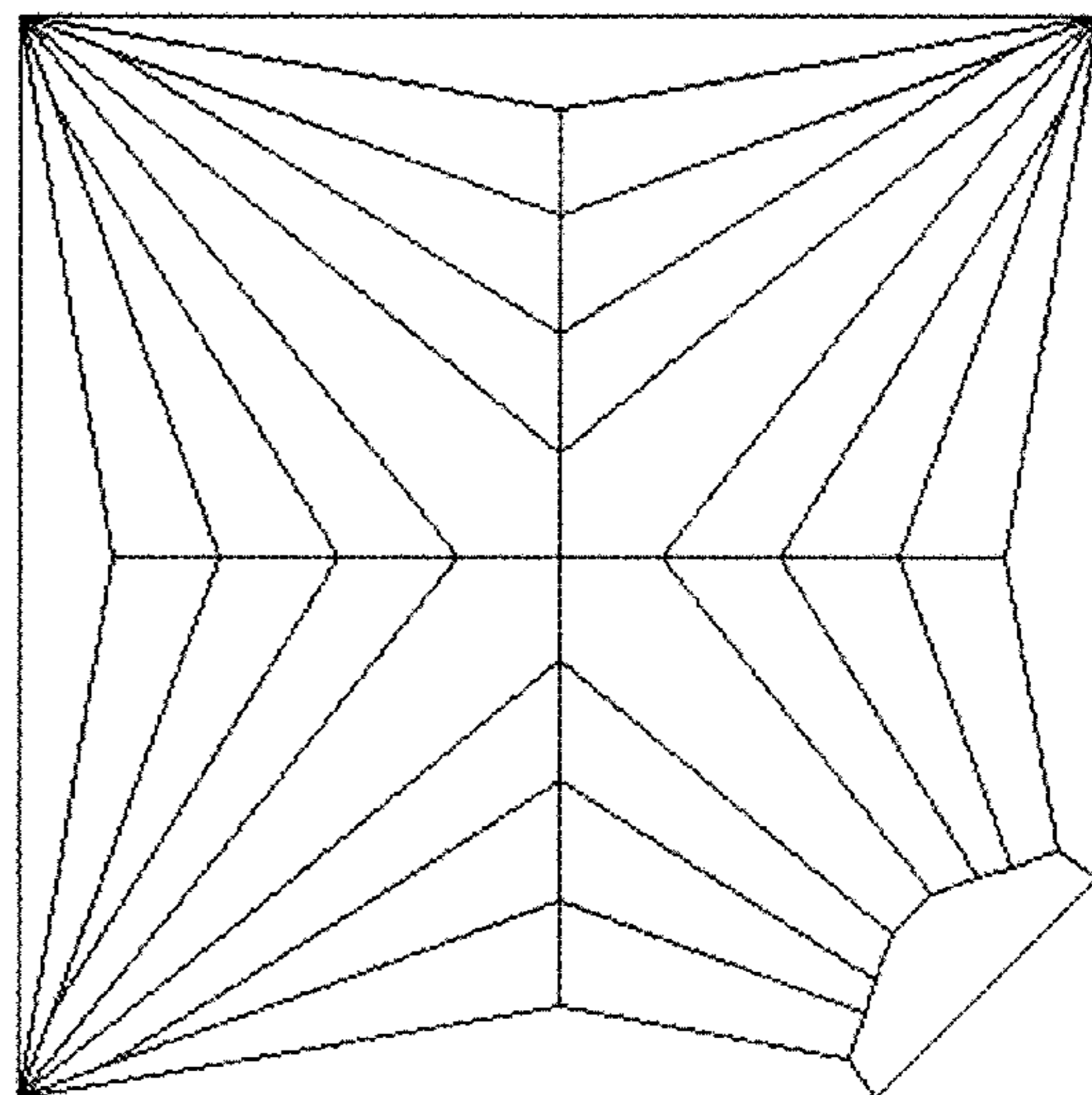
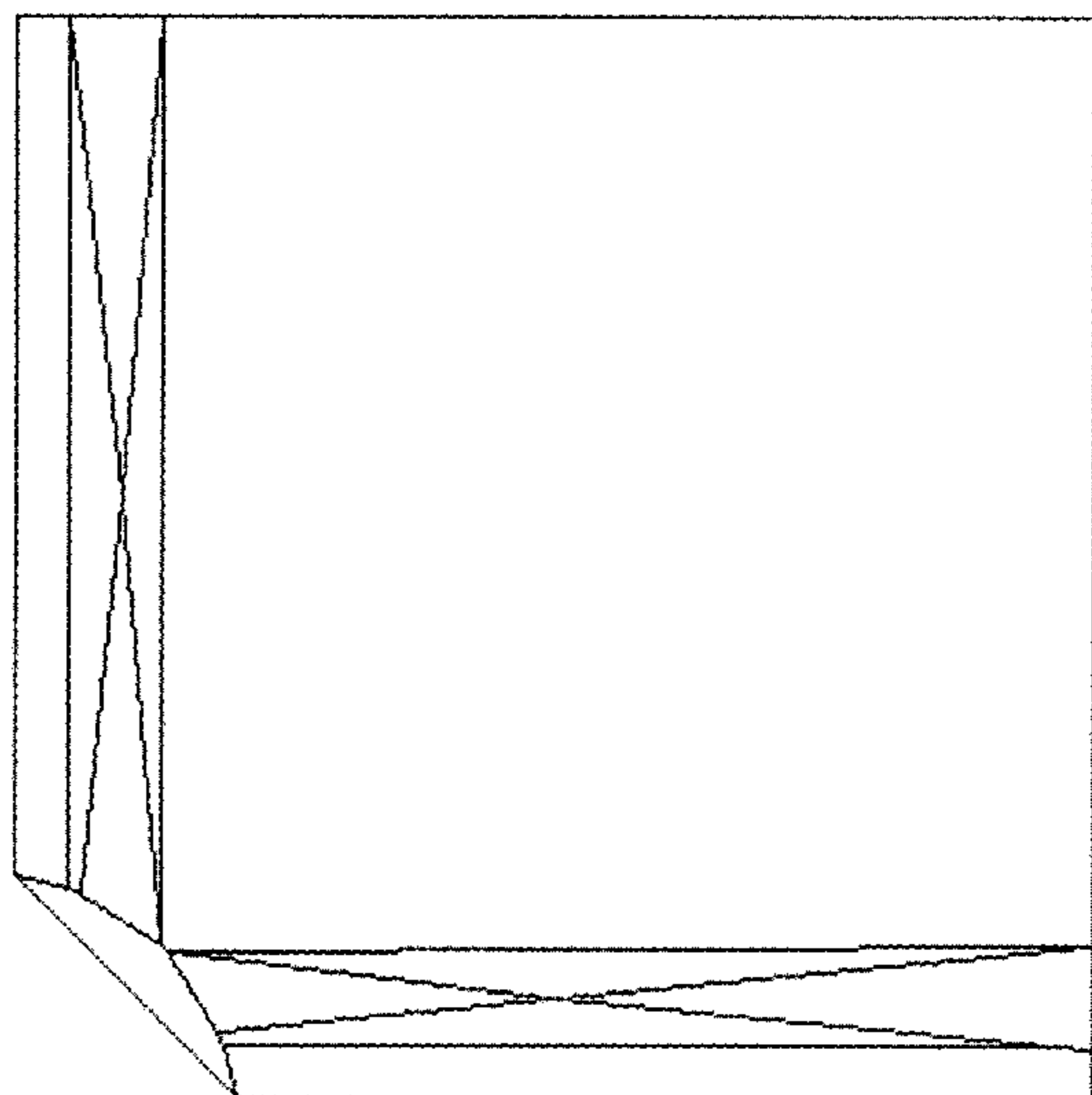
(57) **CLAIM**

The ornamental design for gemstone jewelry, as shown and described herein.

DESCRIPTION

FIG. 1 is a top plan plane view of gemstone jewelry;
 FIG. 2 is one side elevation view of the gemstone jewelry;
 FIG. 3 is another side elevation view of the gemstone jewelry;
 FIG. 4 is another side elevation view of the gemstone jewelry;
 FIG. 5 is another side elevation view of the gemstone jewelry; and,
 FIG. 6 is a bottom plane view of gemstone jewelry.

1 Claim, 6 Drawing Sheets



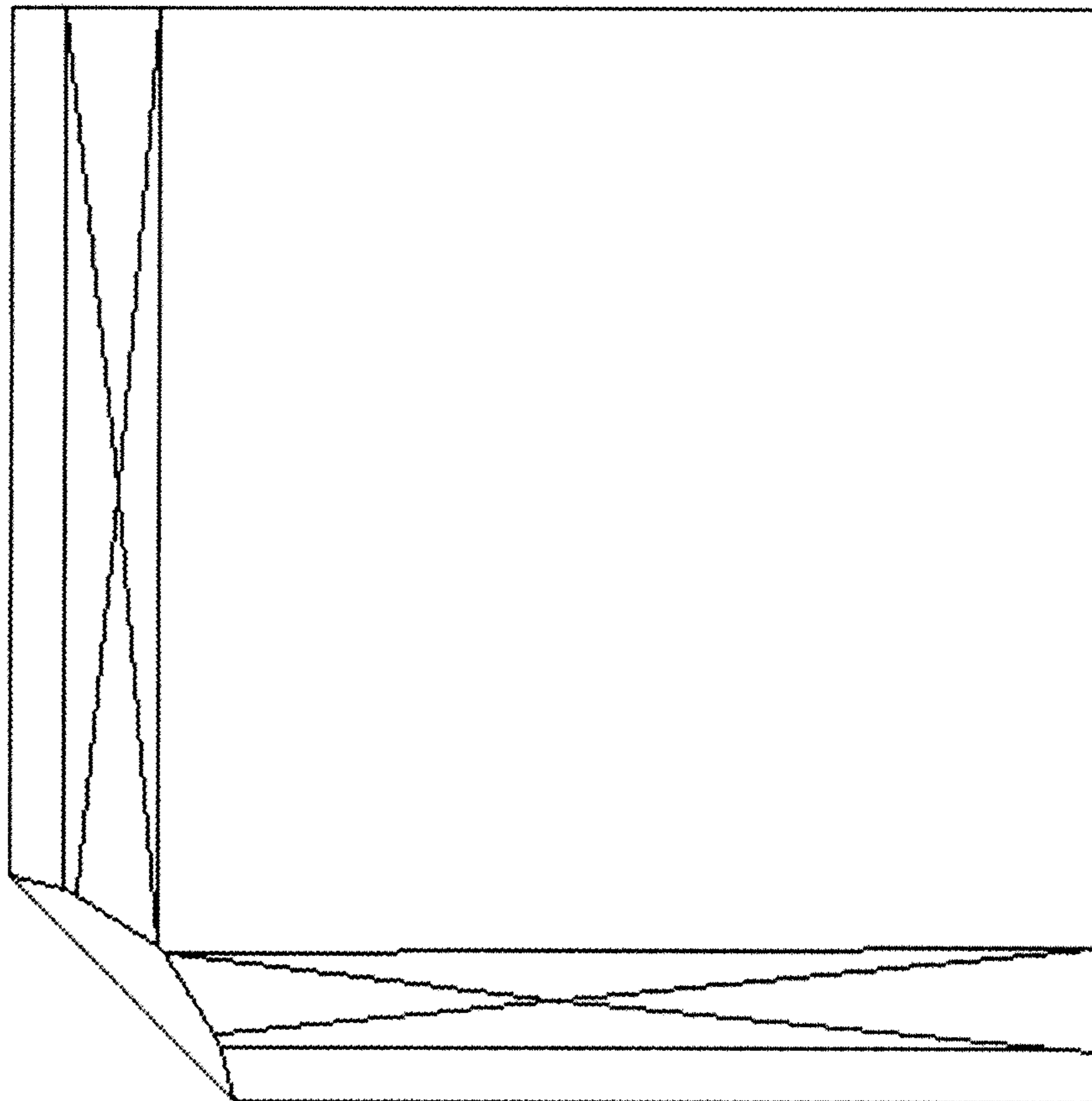


Figure 1

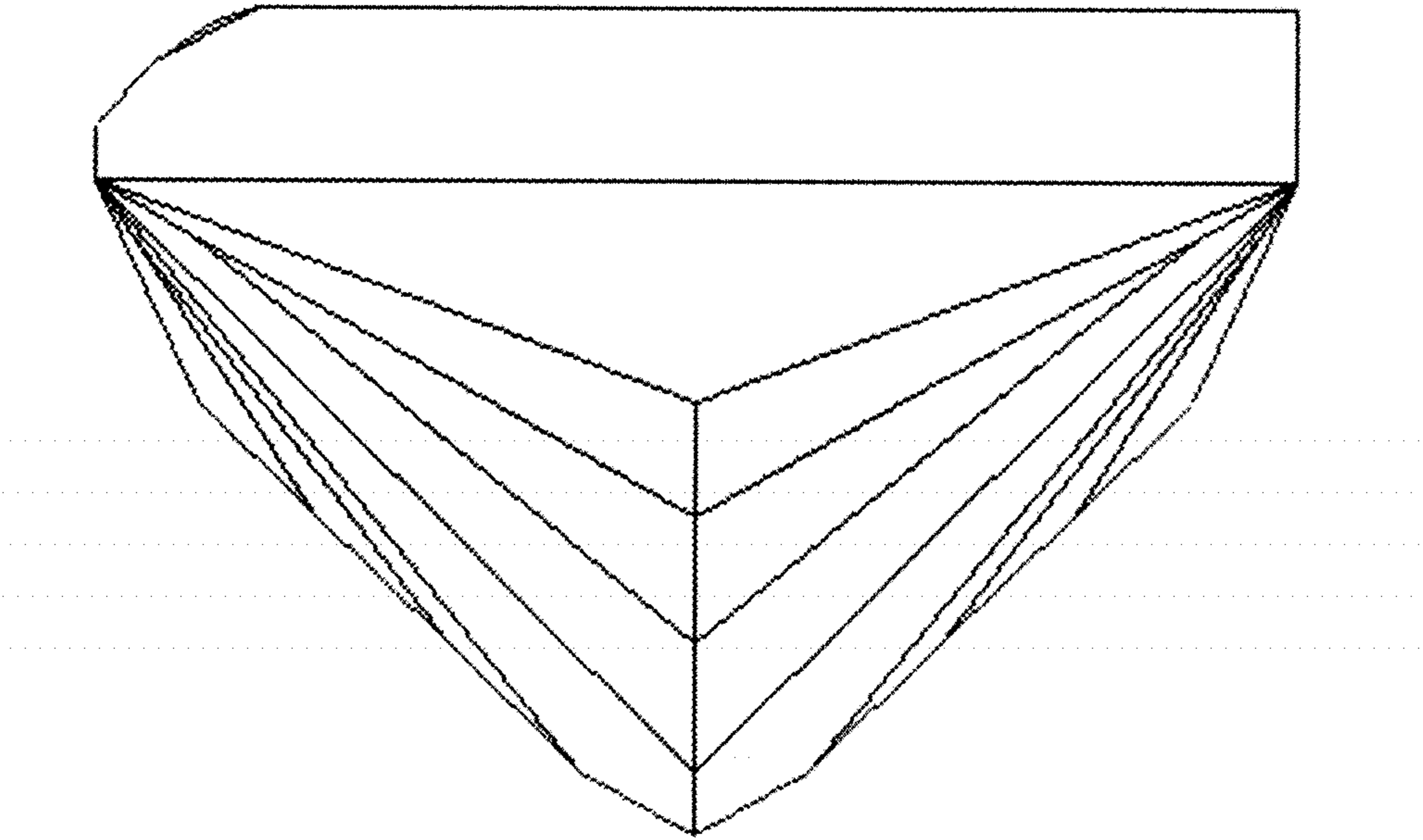


Figure 2

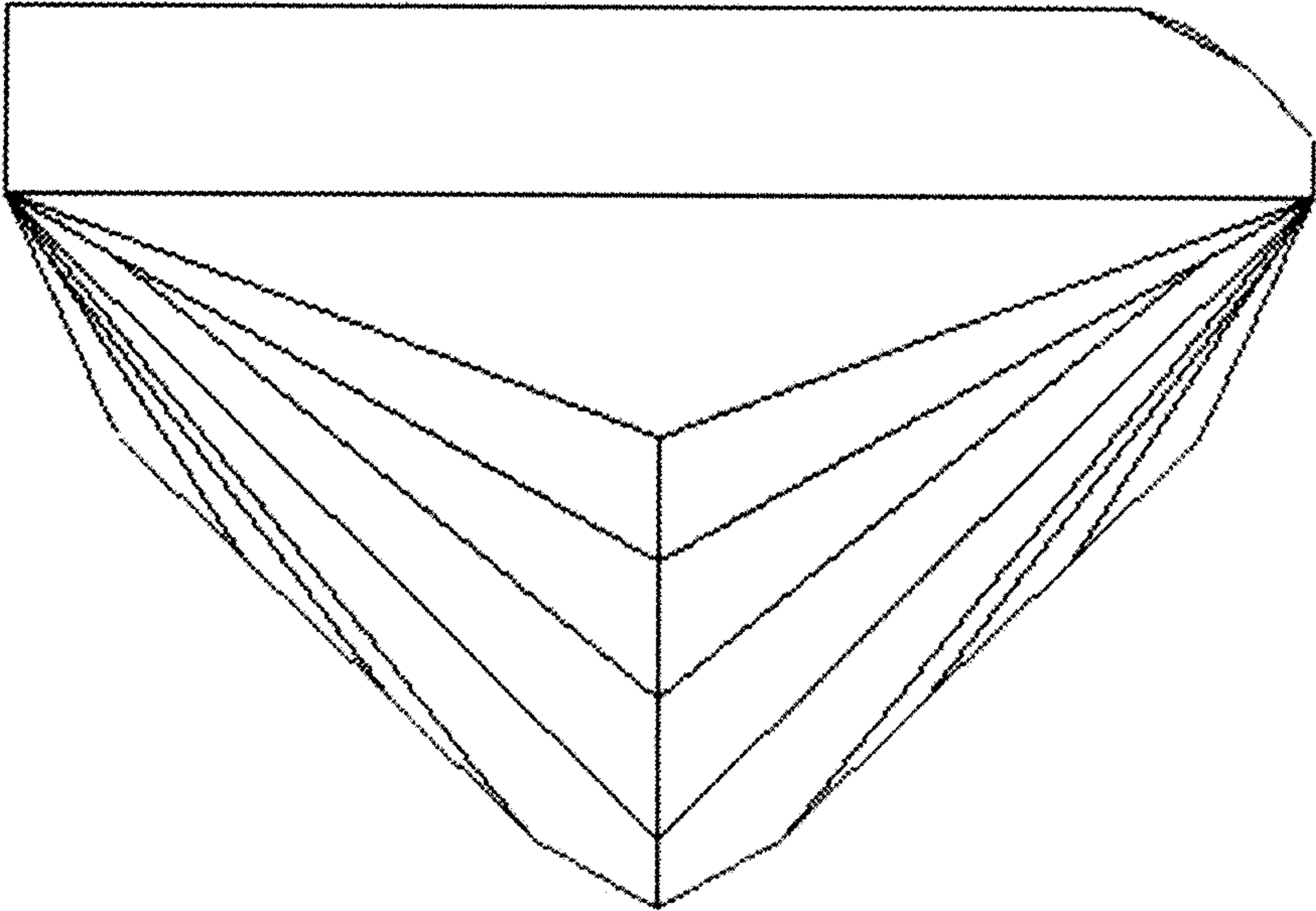


Figure 3

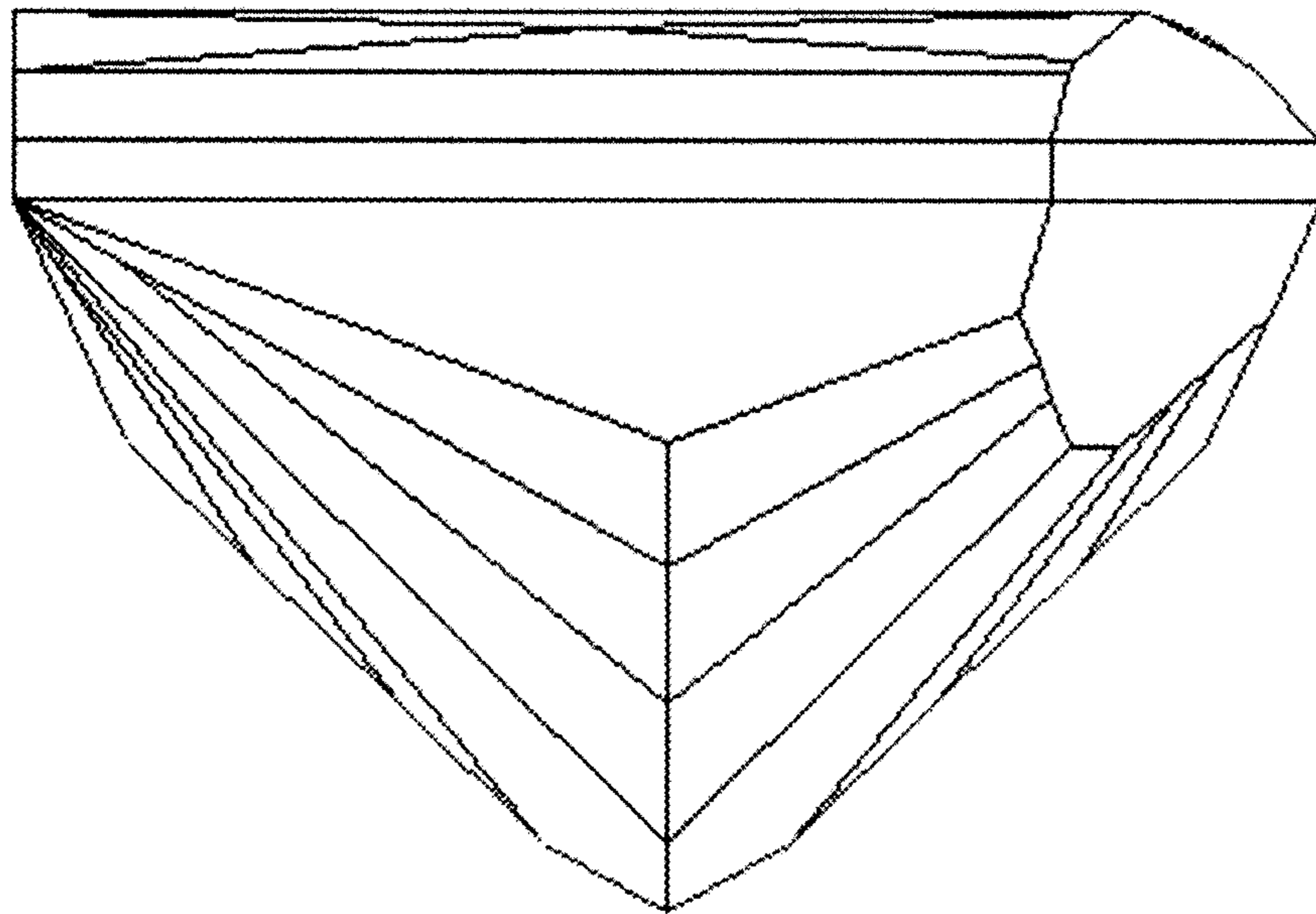


Figure 4

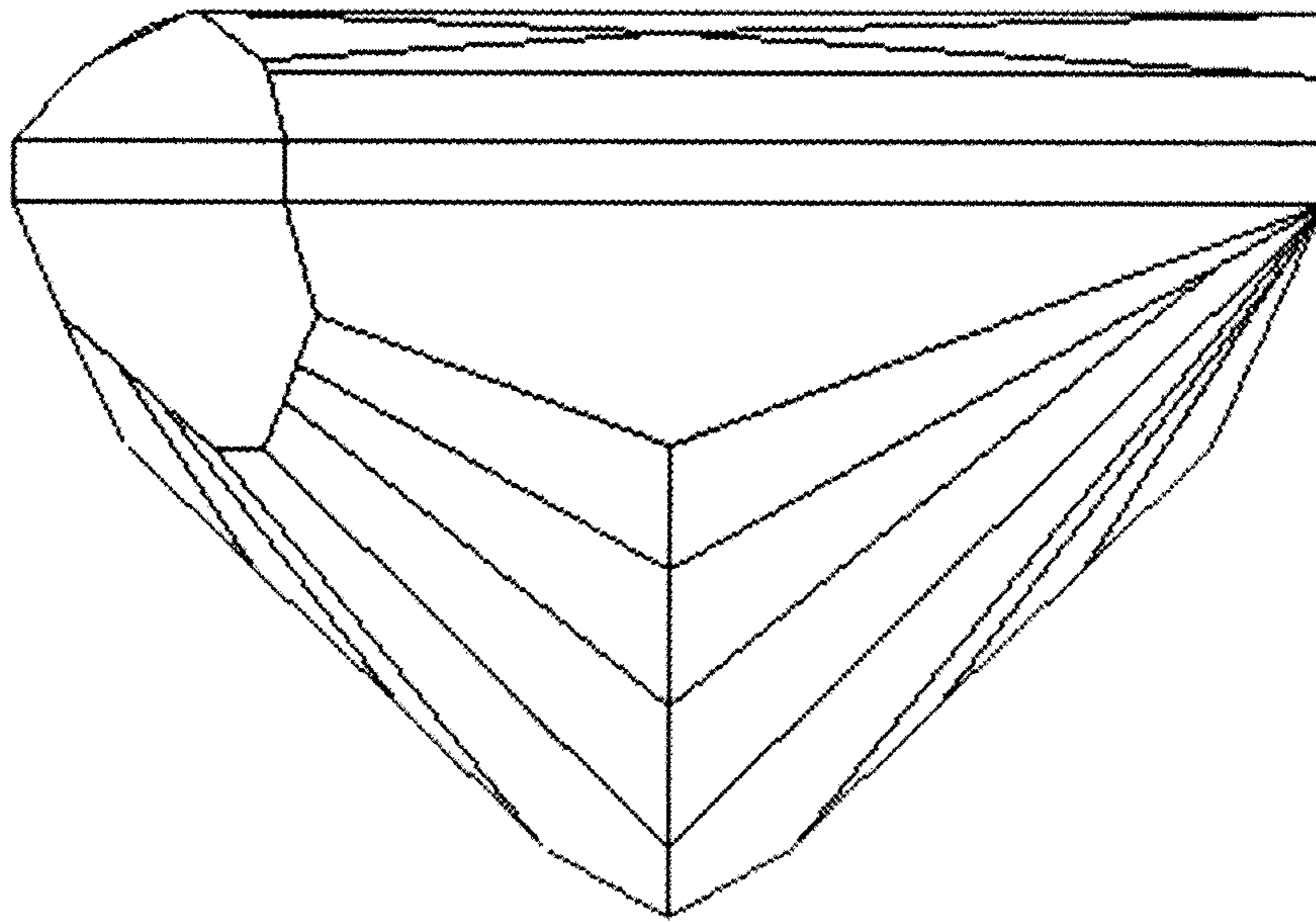


Figure 5

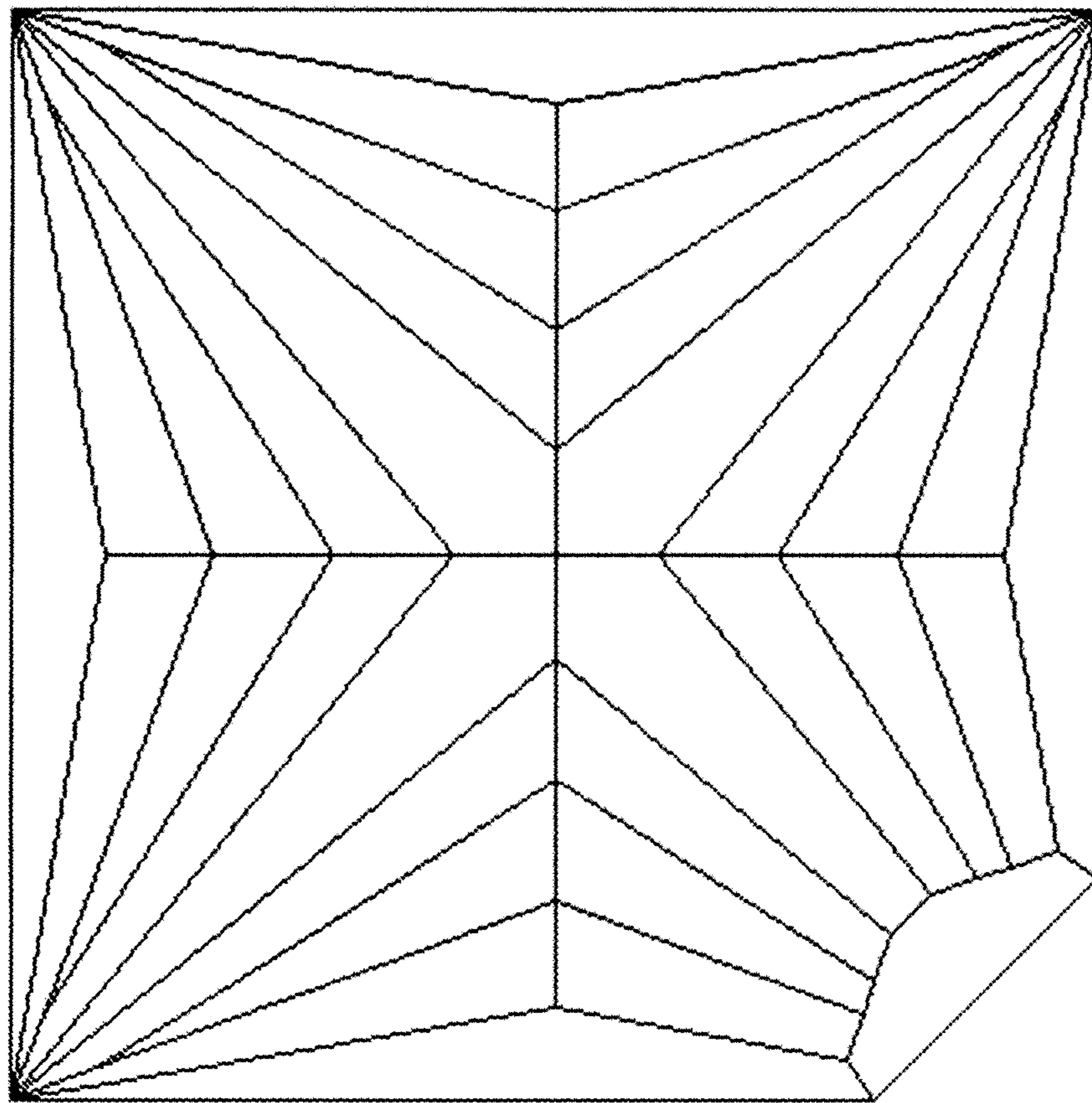


Figure 6