



US00D812512S

(12) **United States Design Patent** (10) **Patent No.:** **US D812,512 S**
Riviere (45) **Date of Patent:** **** Mar. 13, 2018**

(54) **PENDANT**

(56) **References Cited**

(71) Applicant: **HARRY WINSTON SA,**
Plan-les-Ouates (CH)
(72) Inventor: **Dominique Riviere,** New York, NY
(US)
(73) Assignee: **Harry Winston SA,** Plan-les-Ouates
(CH)
(**) Term: **15 Years**
(21) Appl. No.: **29/616,951**
(22) Filed: **Sep. 11, 2017**

U.S. PATENT DOCUMENTS

D7,825 S *	11/1874	Derousse	D11/106
D22,037 S *	12/1892	Hopkins	D11/100
D41,259 S *	3/1911	Edwards	D11/108
D48,952 S *	4/1916	Schultze	D11/111
D50,957 S *	6/1917	Ramsberger	D11/109
D104,267 S *	4/1937	Jaske et al.	D11/111
D149,945 S *	6/1948	Jones	D11/112
D149,946 S *	6/1948	Jones	D11/112
D150,071 S *	6/1948	Jones	D11/111
D161,435 S *	1/1951	Evans	D11/111
D719,050 S *	12/2014	Yatsugi-Kang	D11/79
D780,043 S *	2/2017	Yatsugi-Kang	D11/79

* cited by examiner

(30) **Foreign Application Priority Data**

Mar. 10, 2017 (WO) DM/095 276

(51) **LOC (11) Cl.** **11-01**

(52) **U.S. Cl.**
USPC **D11/79**

(58) **Field of Classification Search**

USPC D11/1, 2, 40-44, 79-86, 70, 47, 48, 69,
D11/49, 50, 53, 57, 59, 61, 66, 67, 75,
D11/76, 77, 95, 97, 98, 99, 100, 101,
D11/105, 106, 121, 125, 127, 128, 91, 92,
D11/111, 110, 7, 8, 112, 113, 72
CPC .. A44C 1/00; A44C 3/00; A44C 3/001; A44C
3/002; A44C 3/004; A44C 3/005; A44C
3/007; A44C 3/008; A44C 7/00; A44C
7/001; A44C 7/002; A44C 7/003; A44C
7/004; A44C 21/00; A44C 23/00; A44C
25/00; A44C 25/001; A44C 25/002; A44C
25/004; A44C 25/005; A44C 25/007;
A44C 25/008; A44C 17/02; A44C
17/0208

See application file for complete search history.

Primary Examiner — Melanie Pellegrini
(74) *Attorney, Agent, or Firm* — Blank Rome LLP

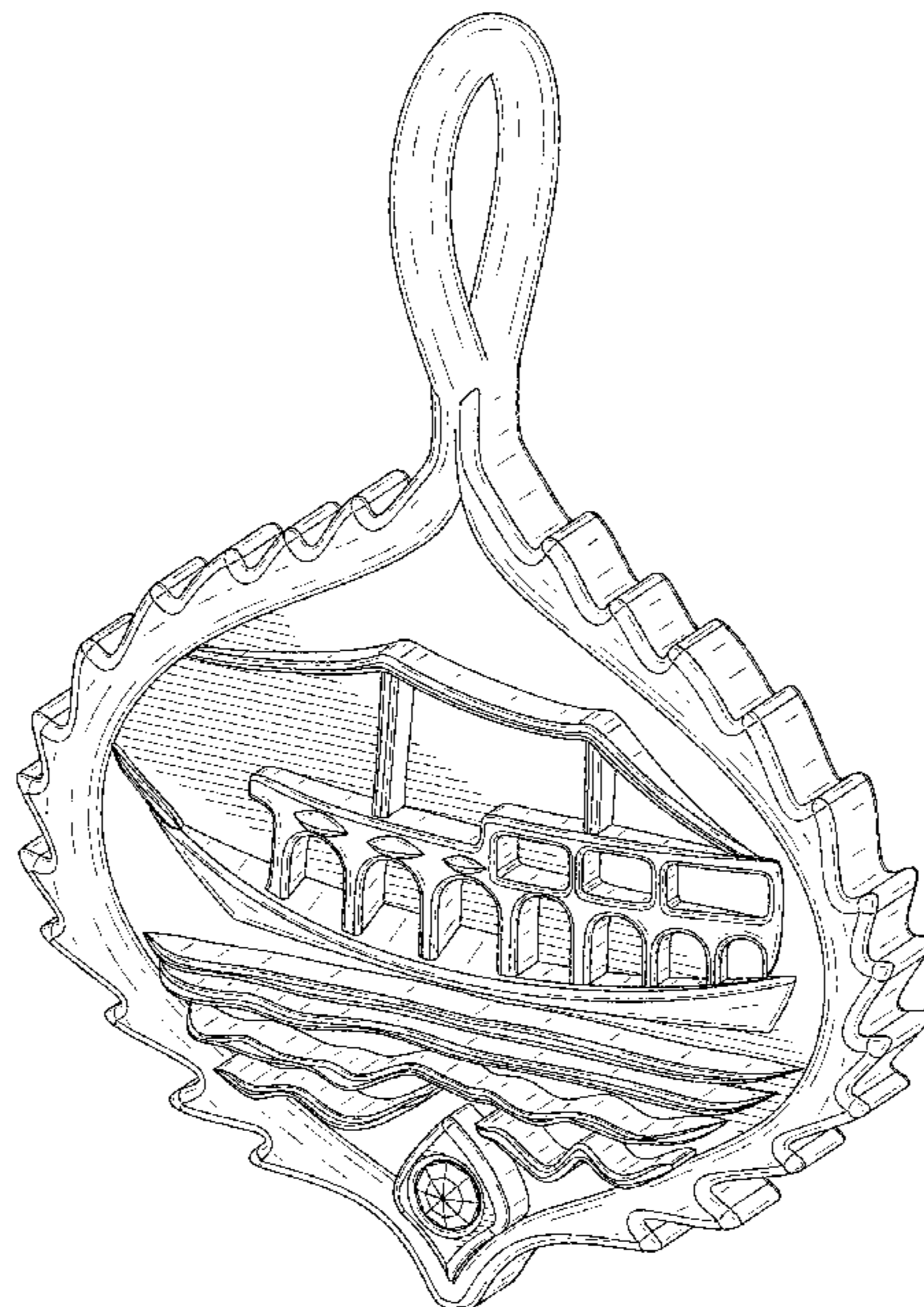
(57) **CLAIM**

The ornamental design for a pendant, as shown.

DESCRIPTION

FIG. 1 is a top front perspective view of a pendant showing my new design;
FIG. 2 is a rear bottom view thereof;
FIG. 3 is a front view thereof;
FIG. 4 is a rear view thereof;
FIG. 5 is a left side view thereof;
FIG. 6 is a right side view thereof;
FIG. 7 is a top view thereof; and,
FIG. 8 is a bottom view thereof.

1 Claim, 6 Drawing Sheets



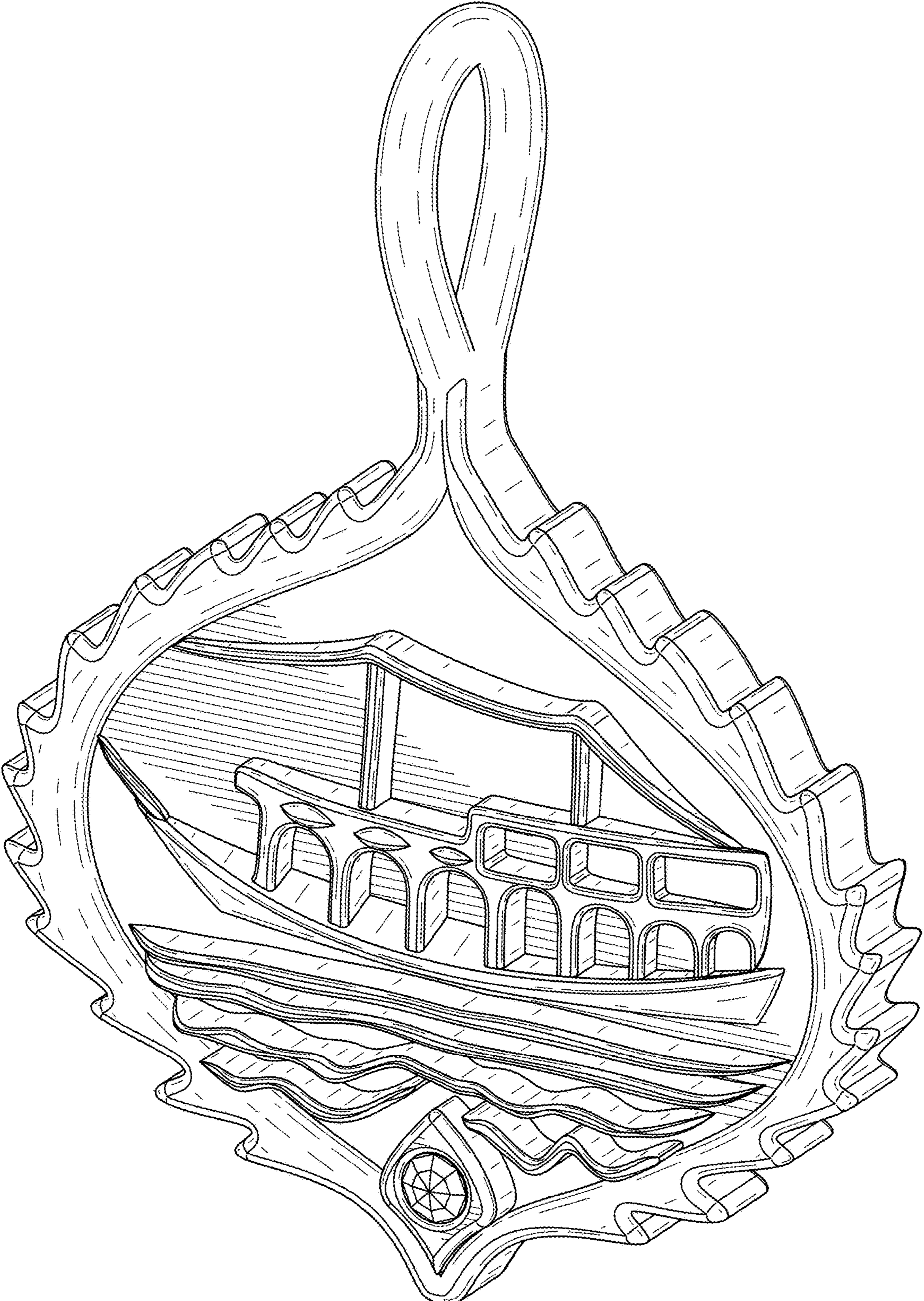


FIG. 1

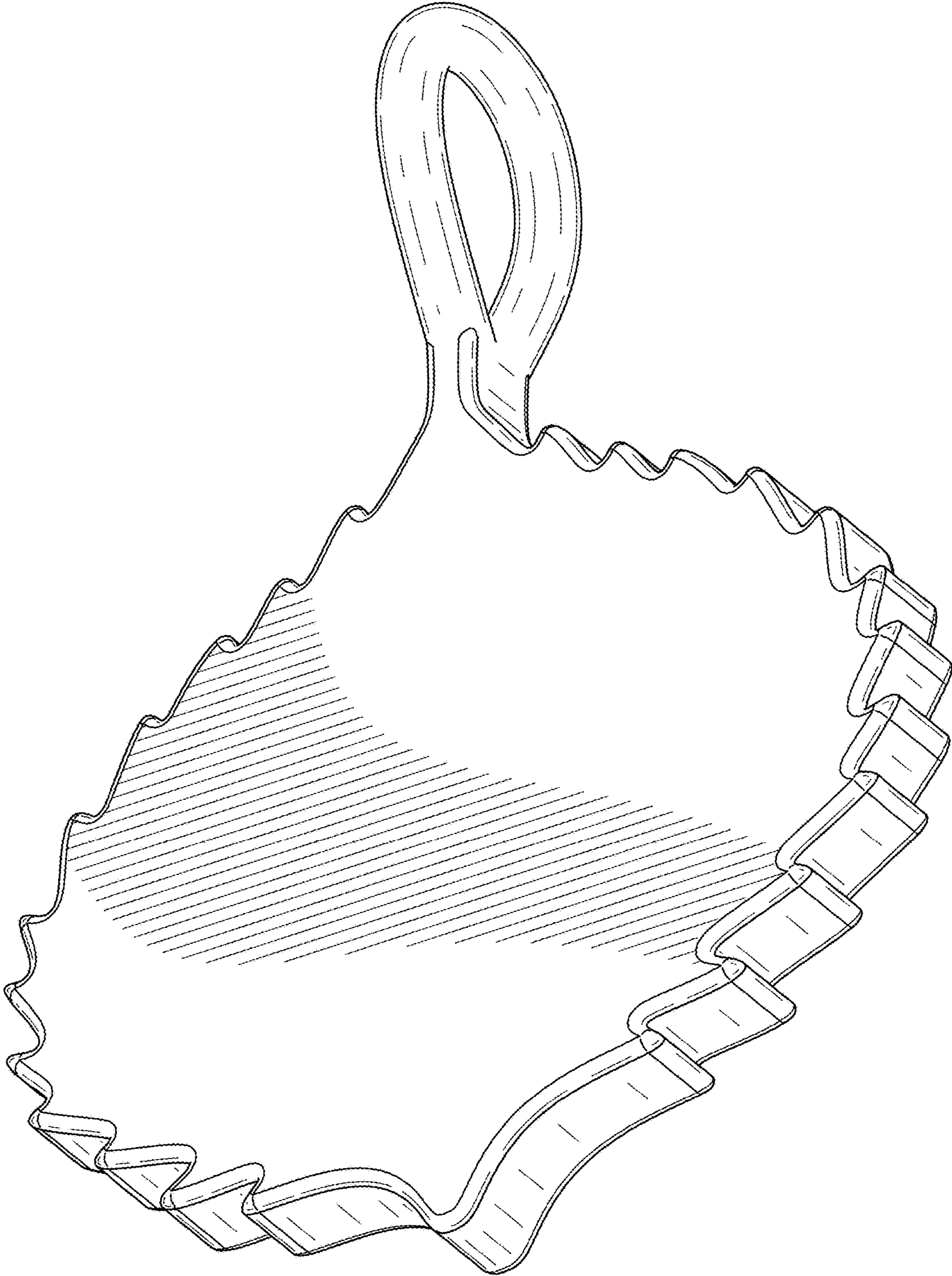


FIG. 2

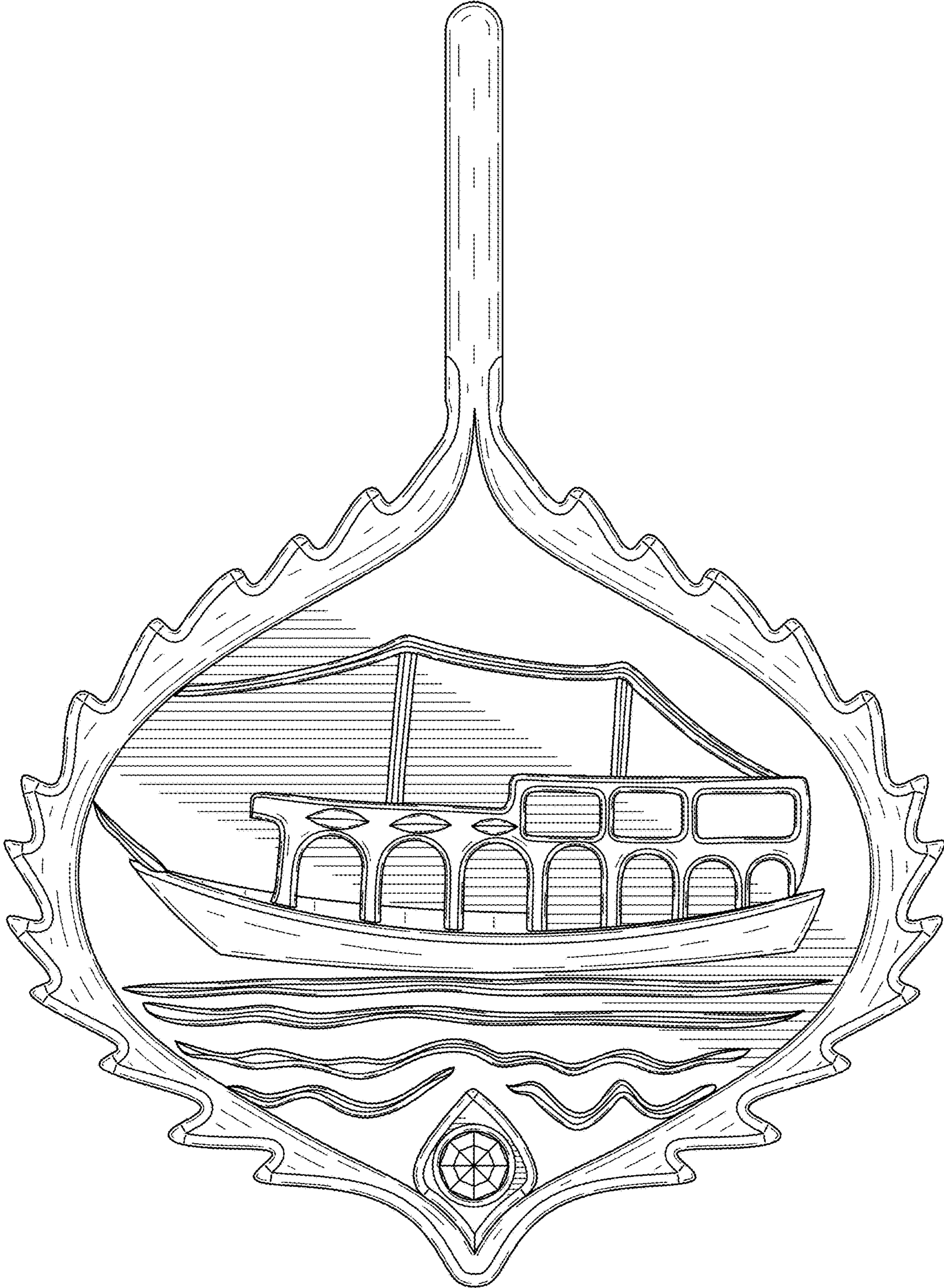


FIG. 3

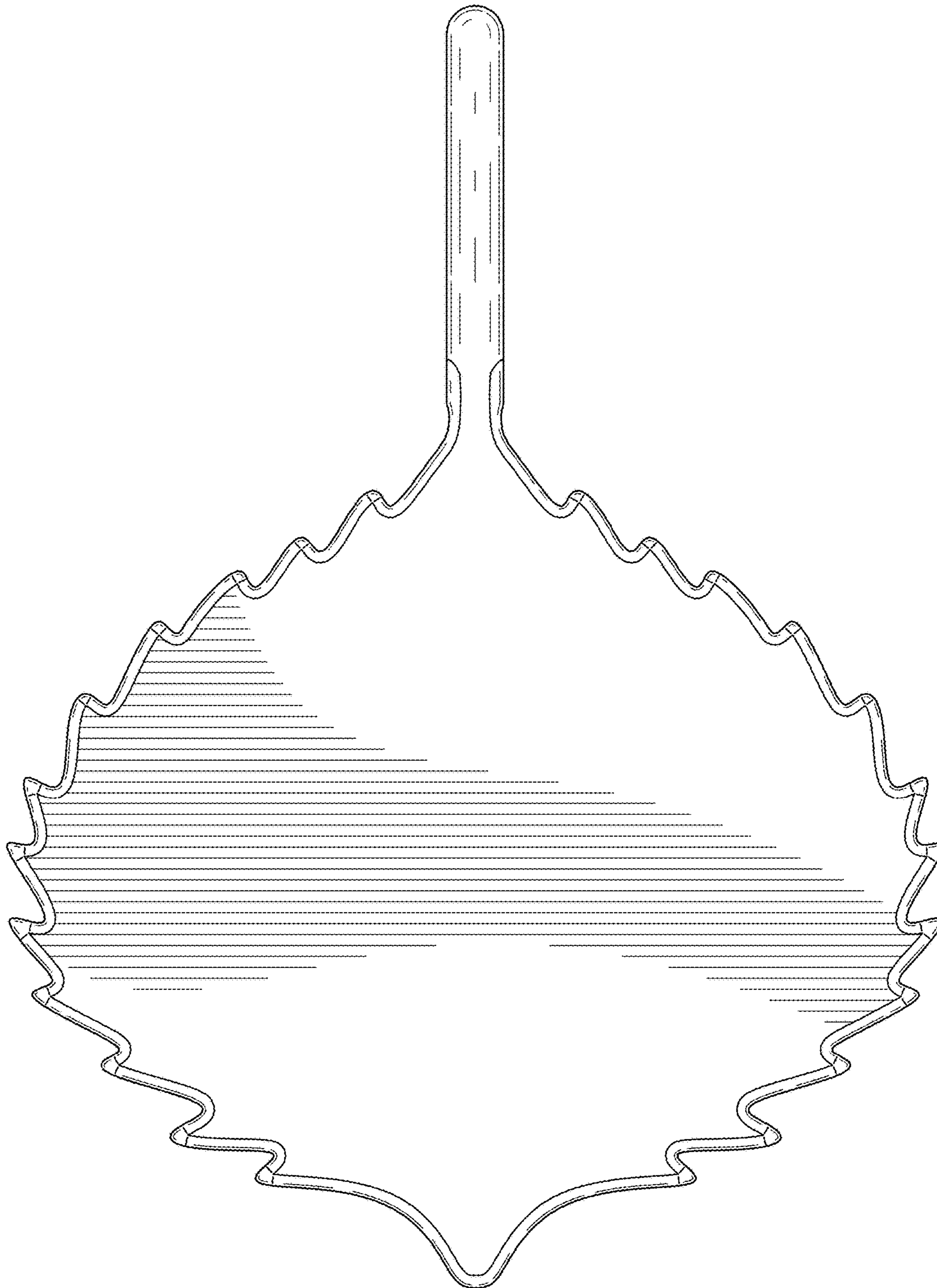


FIG. 4

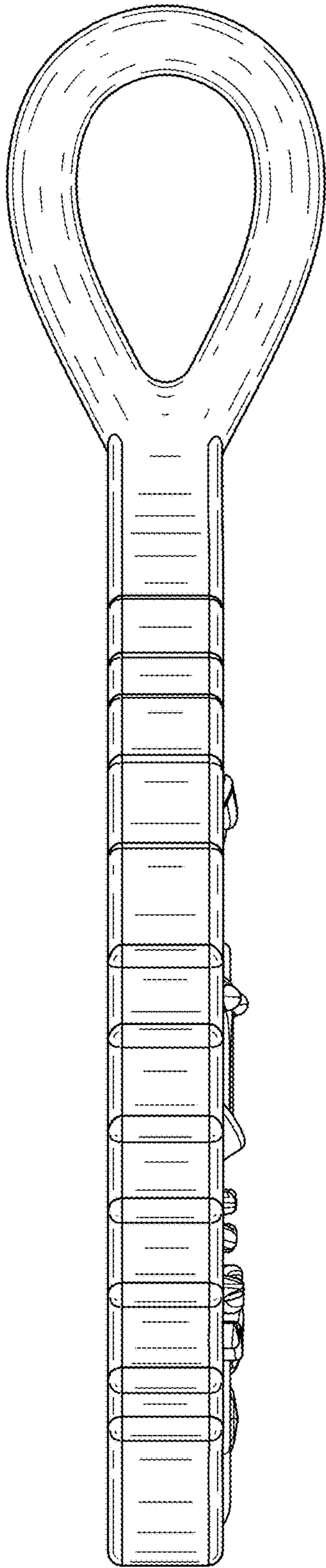


FIG. 5

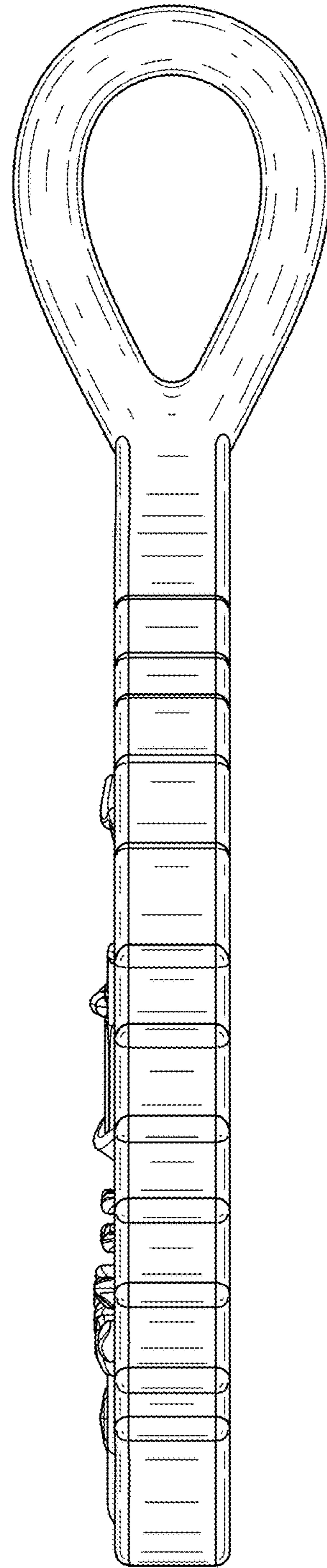


FIG. 6

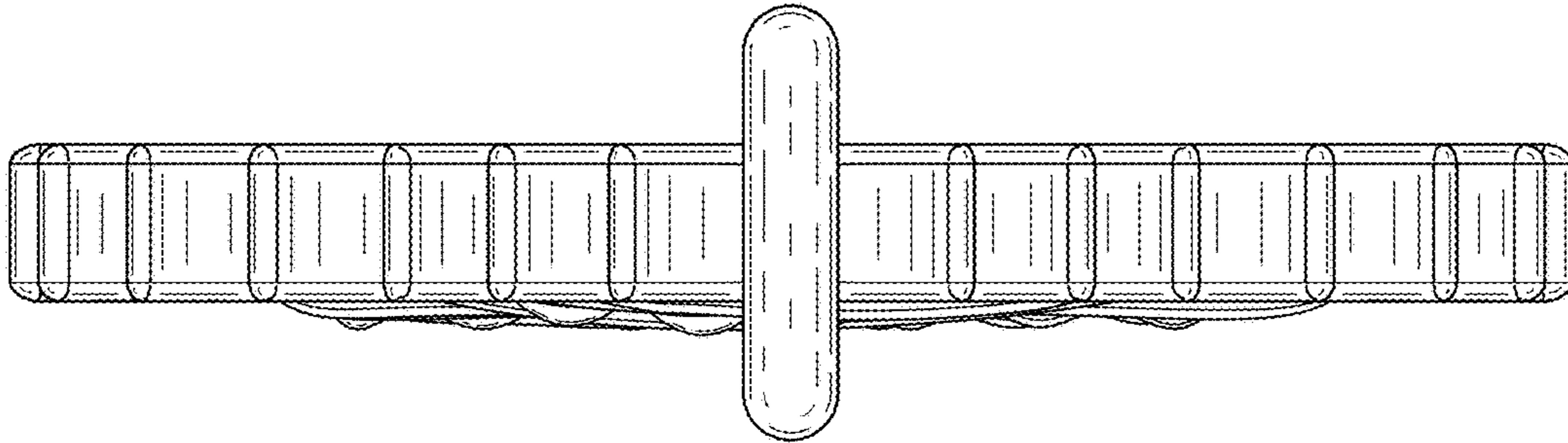


FIG. 7

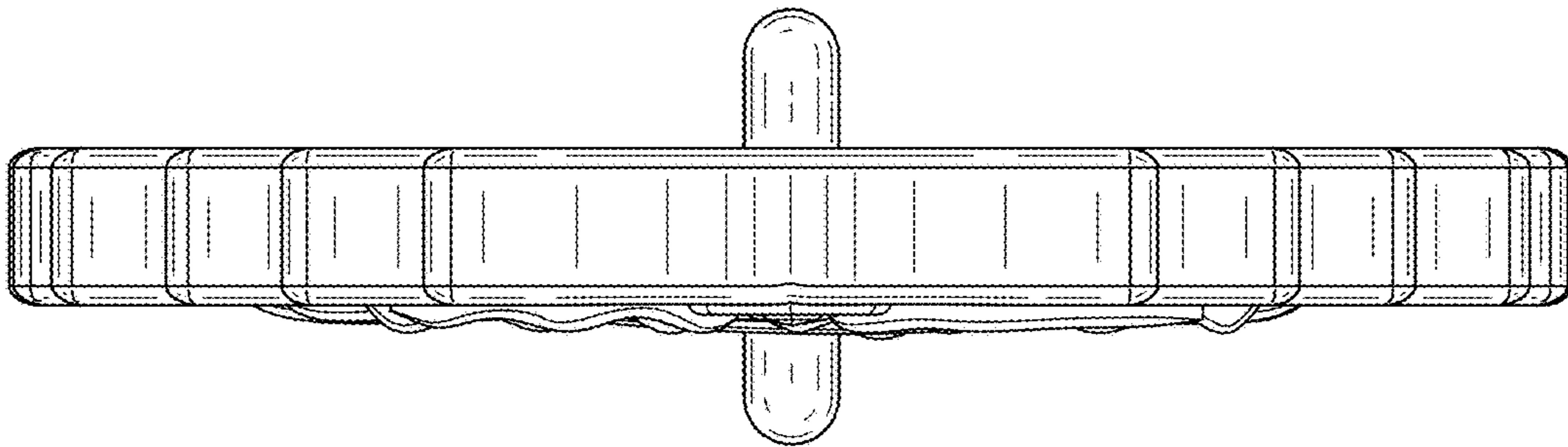


FIG. 8