



US00D812510S

(12) **United States Design Patent**  
**Levy**

(10) **Patent No.:** **US D812,510 S**  
(45) **Date of Patent:** **\*\* Mar. 13, 2018**

(54) **EARRING**

(71) Applicant: **Thomas Levy**, Baton Rouge, LA (US)

(72) Inventor: **Thomas Levy**, Baton Rouge, LA (US)

(\*\*) Term: **15 Years**

(21) Appl. No.: **29/560,896**

(22) Filed: **Apr. 12, 2016**

(51) **LOC (11) Cl.** ..... **11-01**

(52) **U.S. Cl.**  
USPC ..... **D11/41**

(58) **Field of Classification Search**  
USPC ..... D11/1, 2, 7, 8, 40-86, 91, 92  
CPC ..... A44C 7/00; A44C 7/002; A44C 7/003;  
A44C 7/004; A44C 7/005; A44C 7/006;  
A44C 7/007; A44C 7/008; A44C 7/009;  
A44C 17/02; A44C 17/0208; A44C  
17/0216; A44C 17/0255; A44C 17/0233;  
A44C 17/0241; A44C 17/025; A44C  
17/0258; A44C 17/0266; A44C 25/00;  
A44C 25/001; A44C 25/007  
See application file for complete search history.

(56) **References Cited**

**U.S. PATENT DOCUMENTS**

2,195,042	A	3/1940	Wishinsky	
2,665,465	A	1/1954	Albrecht	
4,265,098	A	5/1981	Wayne	
D273,666	S *	5/1984	Hayashi	D11/1
D354,927	S *	1/1995	Andrau	D11/40
D356,052	S *	3/1995	Andrau	D11/40
D379,601	S *	6/1997	Itzkowitz	D11/40
D415,068	S	10/1999	Calvani	
D418,773	S *	1/2000	Saito	D11/2
D460,014	S *	7/2002	Williams	D11/1
D468,494	S *	1/2003	Holloway	D11/1
D592,991	S *	5/2009	Schneider	D11/90

D594,773	S *	6/2009	Schneider	D11/90
D596,524	S *	7/2009	Schneider	D11/90
D601,918	S *	10/2009	Schneider	D11/90
D641,278	S *	7/2011	Siedler	D11/2
D643,766	S *	8/2011	Siedler	D11/1
D668,984	S *	10/2012	Sasportas	D11/1
D684,084	S	6/2013	Bulgari	
8,869,556	B2	10/2014	Natascha	

**OTHER PUBLICATIONS**

[Online] [https://cdn.shopify.com/s/files/1/0405/4921/products/Shopify\\_ProductIMG\\_FineJwry\\_FctdDome\\_E2\\_1024x1024.jpg?v=1434394244](https://cdn.shopify.com/s/files/1/0405/4921/products/Shopify_ProductIMG_FineJwry_FctdDome_E2_1024x1024.jpg?v=1434394244). Retrieved Nov. 27, 2017.\*

[Online] <https://static1.squarespace.com/static/525344ffe4b0e53491e9ef2b/t/533361a7e4b0dd151d43e38c/1395876266199/bloomingdales+14k+yellow+gold+faceted+dome+earrings+studs+1500.jpg>. Retrieved Nov. 27, 2017.\*

[Online] [http://s7d1.scene7.com/is/image/Tiffany/13428085\\_17354\\_ED?\\$EcomItemL2&id=g-Kqt1&fmt=jpg&fit=constrain,1&wid=1000&hei=1000](http://s7d1.scene7.com/is/image/Tiffany/13428085_17354_ED?$EcomItemL2&id=g-Kqt1&fmt=jpg&fit=constrain,1&wid=1000&hei=1000). Retrieved Nov. 27, 2017.\*

\* cited by examiner

*Primary Examiner* — Melanie Pellegrini

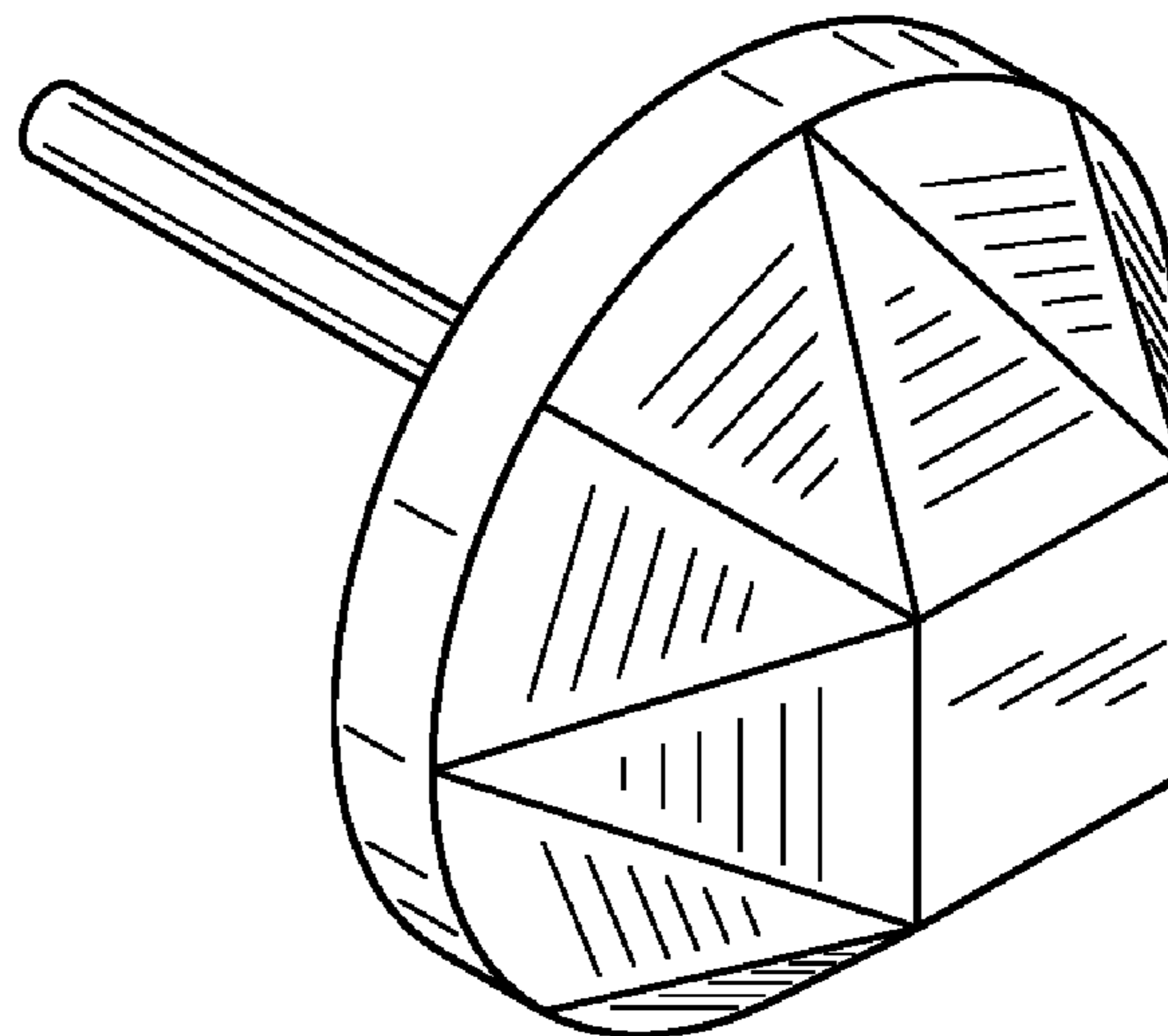
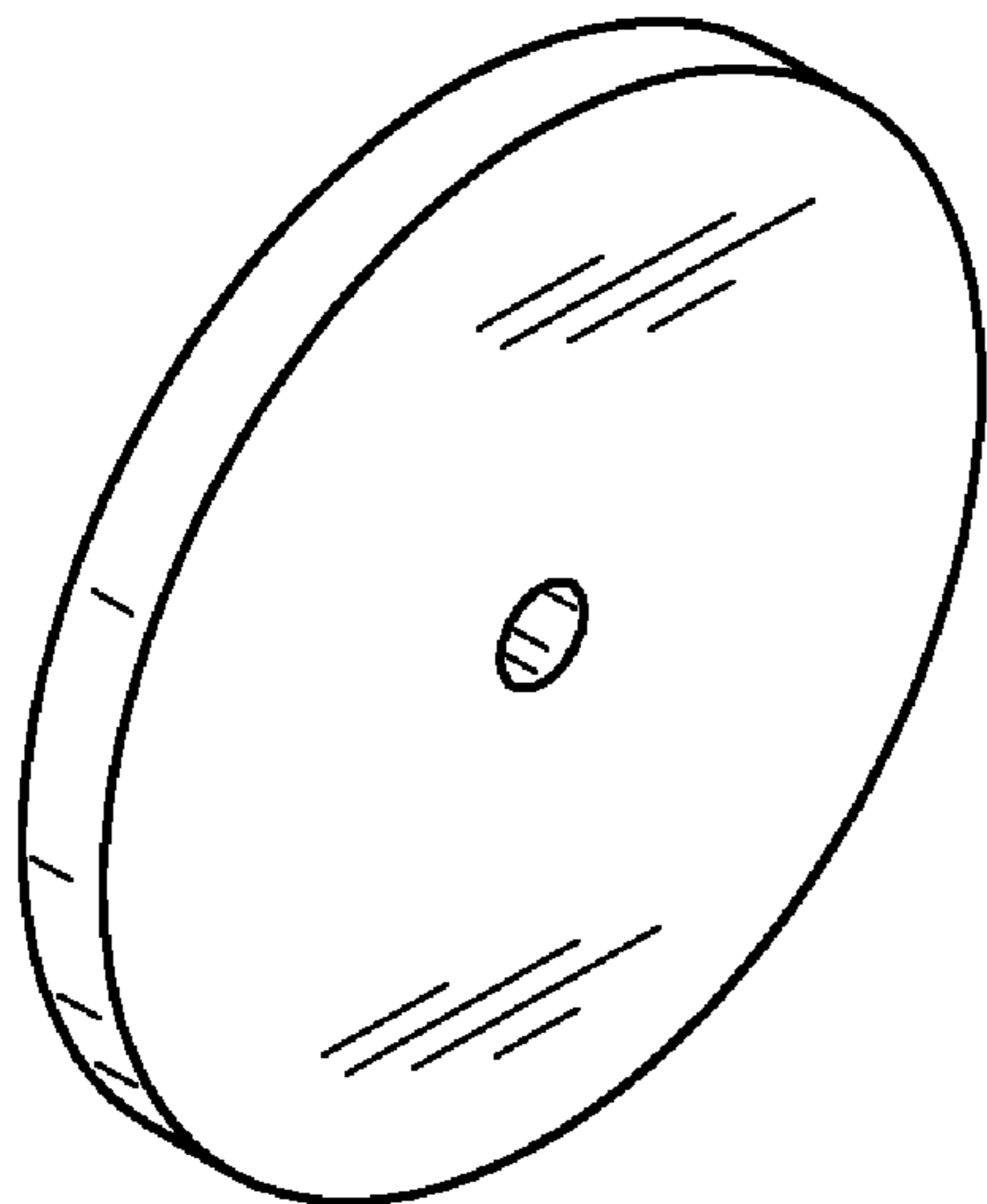
(57) **CLAIM**

The ornamental design for an earring, as shown and described.

**DESCRIPTION**

FIG. 1 is a top view of an earring showing my new design; FIG. 2 is a bottom view thereof; FIG. 3 is a side view thereof; and, FIG. 4 is a perspective view thereof. The broken lines shown in FIG. 1 depicting the number 12 represent portions of the earring which form no part of the claimed design.

**1 Claim, 2 Drawing Sheets**



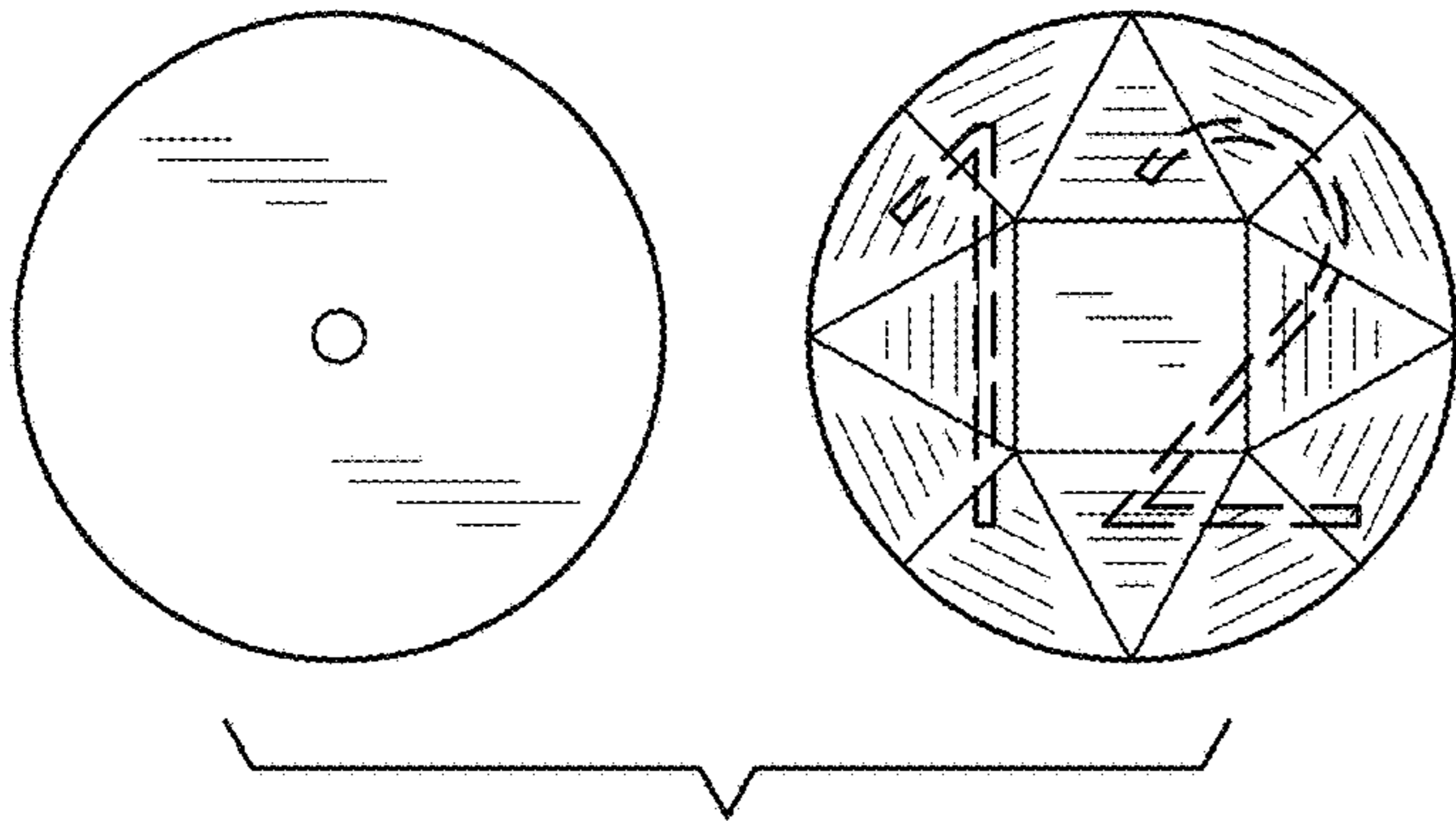


FIG. 1

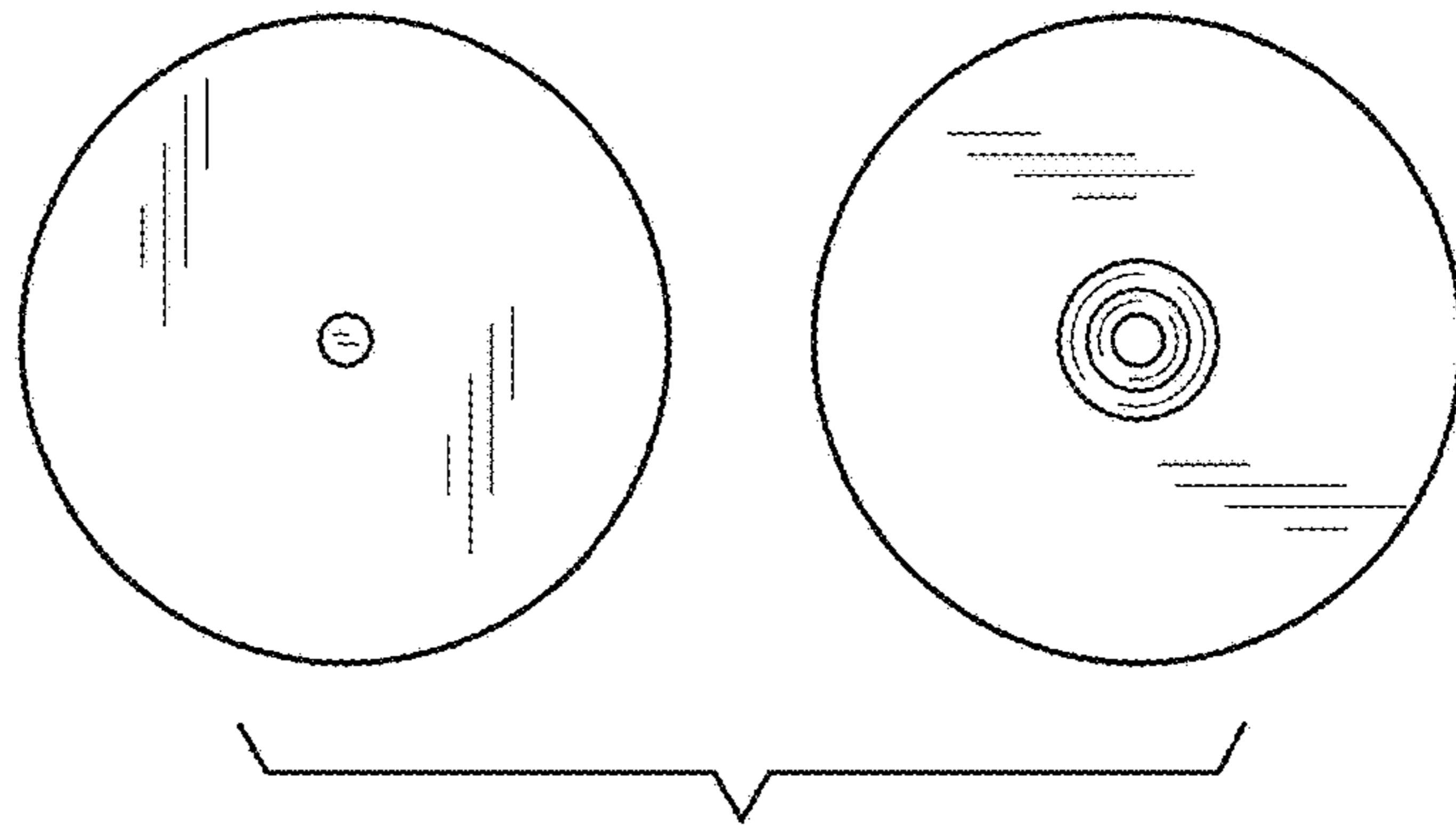


FIG. 2

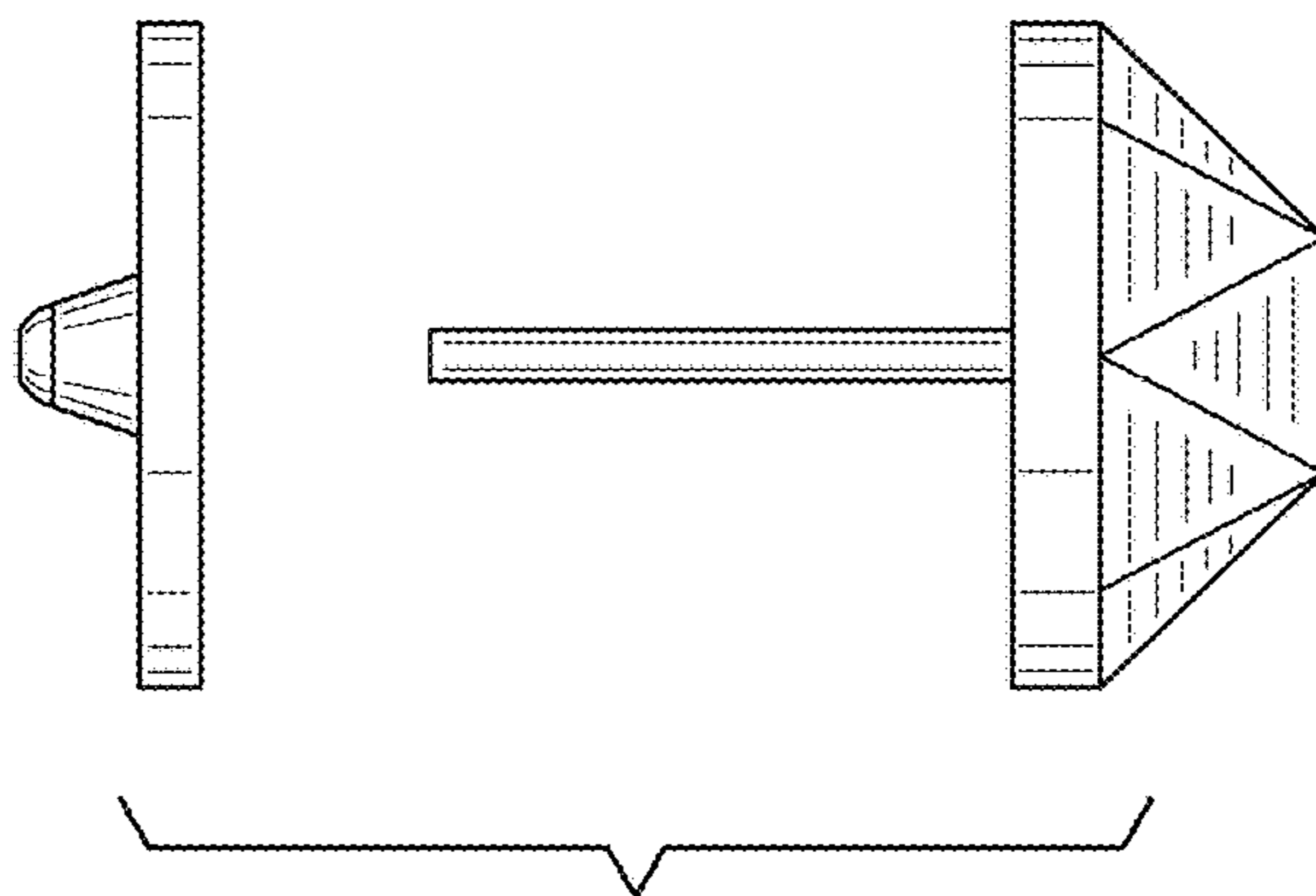


FIG. 3

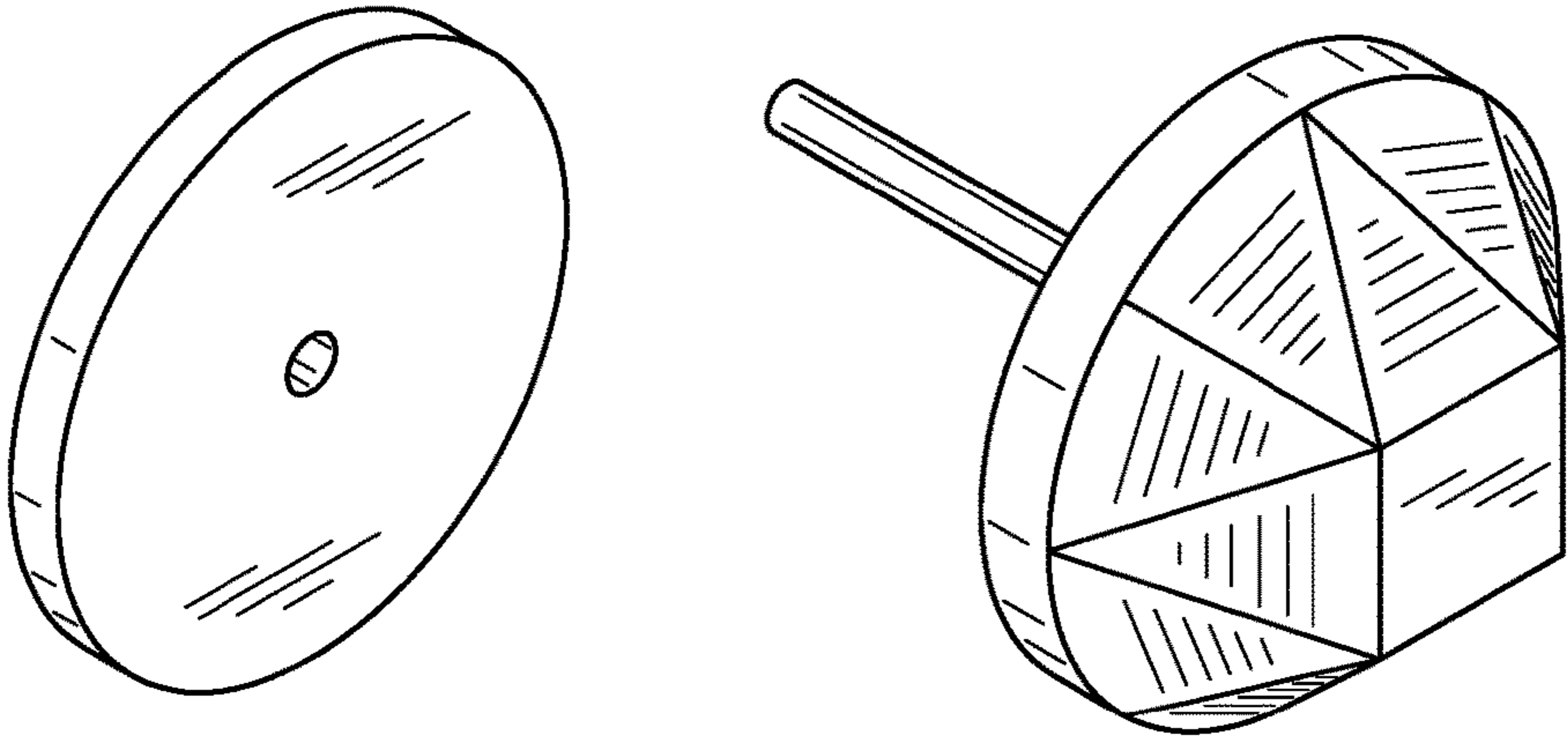


FIG. 4