



US00D812505S

(12) **United States Design Patent** (10) **Patent No.:** **US D812,505 S**
McBride et al. (45) **Date of Patent:** **** Mar. 13, 2018**

(54) **METER HOUSING**

(56) **References Cited**

(71) Applicant: **Honeywell International Inc.**, Morris Plains, NJ (US)

U.S. PATENT DOCUMENTS

(72) Inventors: **Thomas Owen McBride**, Raleigh, NC (US); **Garry Melvin Loy**, Raleigh, NC (US); **Steven Criscione**, Raleigh, NC (US); **Warren Ginn**, Raleigh, NC (US)

D629,708 S * 12/2010 Popp D10/102
8,717,007 B2 * 5/2014 Banhegyesi G01R 22/065
324/110
9,163,974 B1 * 10/2015 Kekalainen G01F 23/00
D784,834 S * 4/2017 John D10/99
2009/0168307 A1 * 7/2009 Loy G01R 22/065
361/659

(73) Assignee: **Honeywell International Inc.**, Morris Plains, NJ (US)

* cited by examiner

(**) Term: **15 Years**

Primary Examiner — Antoine Duval Davis

(21) Appl. No.: **29/580,460**

(74) *Attorney, Agent, or Firm* — Baker & Hostetler LLP

(22) Filed: **Oct. 10, 2016**

(57) **CLAIM**

We claim the ornamental design for a meter housing, as shown and described.

(51) **LOC (11) Cl.** **10-04**

DESCRIPTION

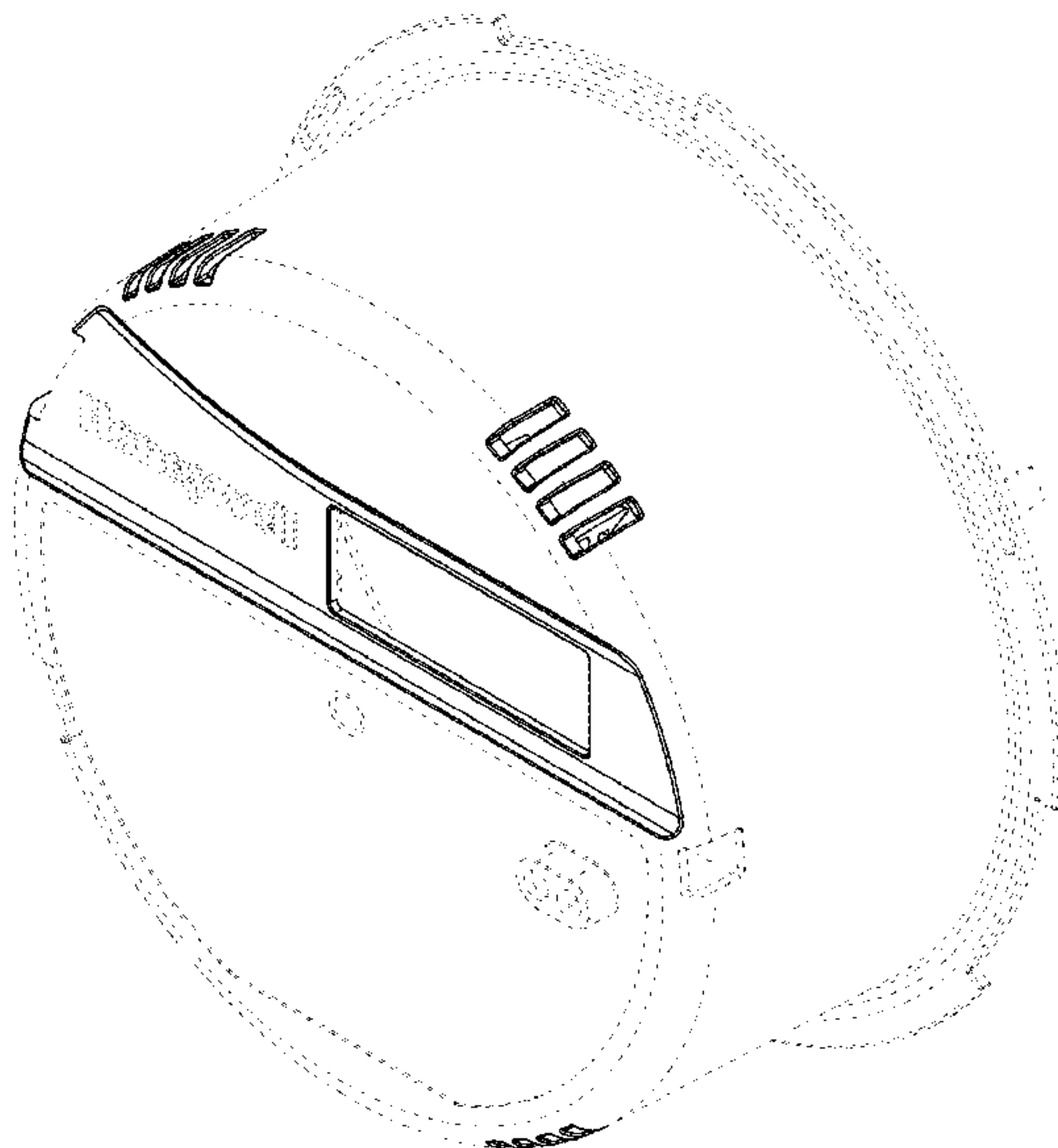
(52) **U.S. Cl.**
USPC **D10/100; D10/103**

(58) **Field of Classification Search**
USPC D10/99, 100, 103
CPC ... G01F 15/14; Y10T 137/6995; E02D 29/14;
E02D 29/1472; G01R 11/14; G01R 22/00; G01R 22/06; G01R 22/061; G01R 22/08; G01R 22/10; G01R 22/065; G01R 21/00; G01R 21/06; G01R 21/133; G01R 21/1331; G01R 21/1333; G01R 21/1335; G01R 21/1336; G01R 21/1338; G01R 21/065; H02B 1/03; H02B 1/06; H02B 1/063; H02B 1/066; G06F 17/40; G06F 19/00; G01D 4/006; G01D 11/245; G06Q 50/06; F25D 29/00; F25D 21/08; F25B 2600/23; H02J 3/04; H02J 13/0086; H02J 13/0062; H02J 2003/146; Y02B 70/3225; Y02B 70/3216

FIG. 1 is a perspective of a meter housing according to a first aspect of our new design;
FIG. 2 is a front view thereof;
FIG. 3 is a rear view thereof;
FIG. 4 is a left side view thereof;
FIG. 5 is a right side view thereof;
FIG. 6 is a top view thereof;
FIG. 7 is a bottom view thereof;
FIG. 8 is a perspective of a meter housing according to a second aspect of our new design;
FIG. 9 is a front view thereof;
FIG. 10 is a rear view thereof;
FIG. 11 is a left side view thereof;
FIG. 12 is a right side view thereof;
FIG. 13 is a top view thereof; and,
FIG. 14 is a bottom view thereof.
The broken line portions of the figures represent unclaimed subject matter only and form no part of the claimed design.

See application file for complete search history.

1 Claim, 10 Drawing Sheets



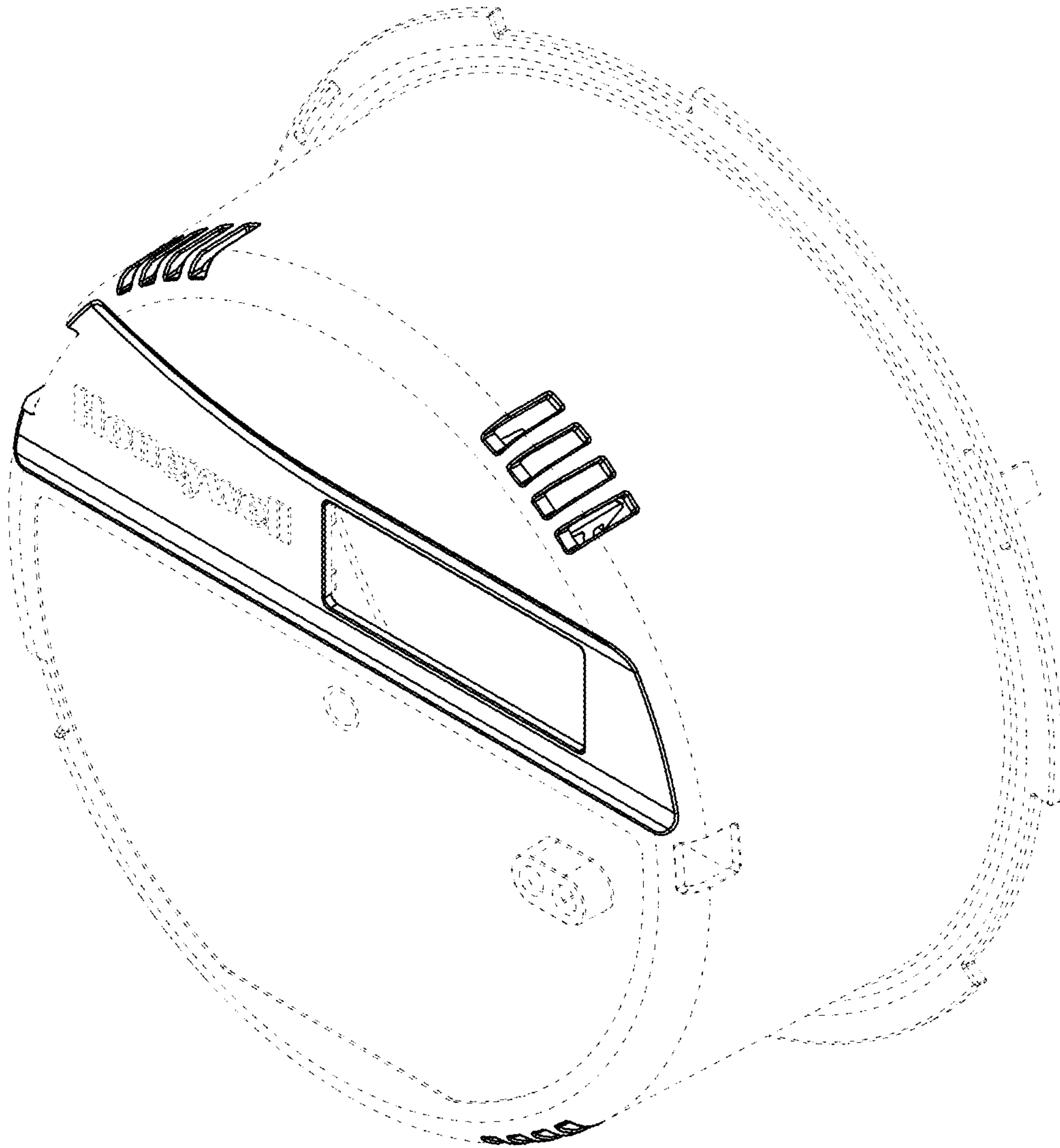


FIG. 1

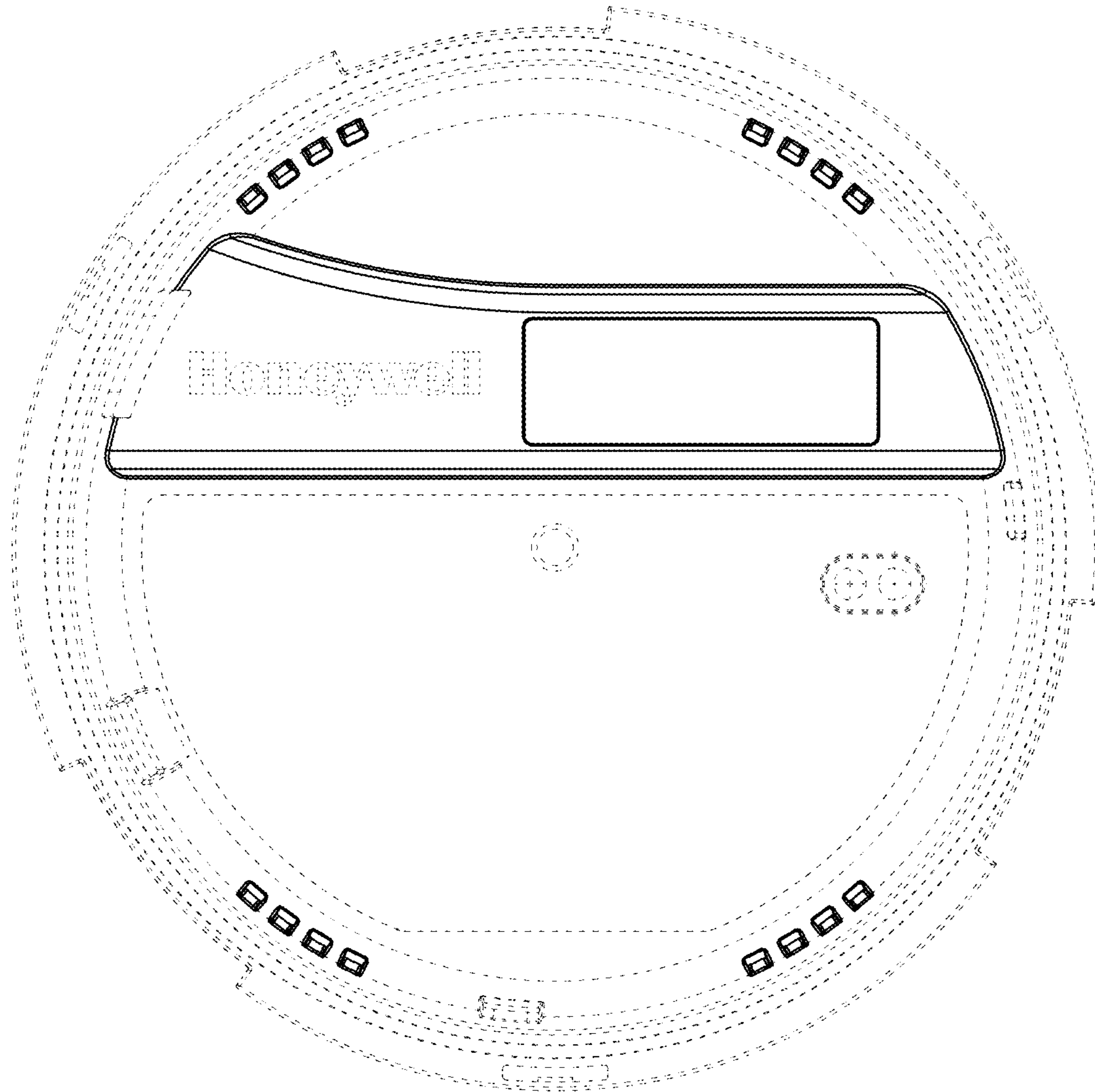


FIG. 2

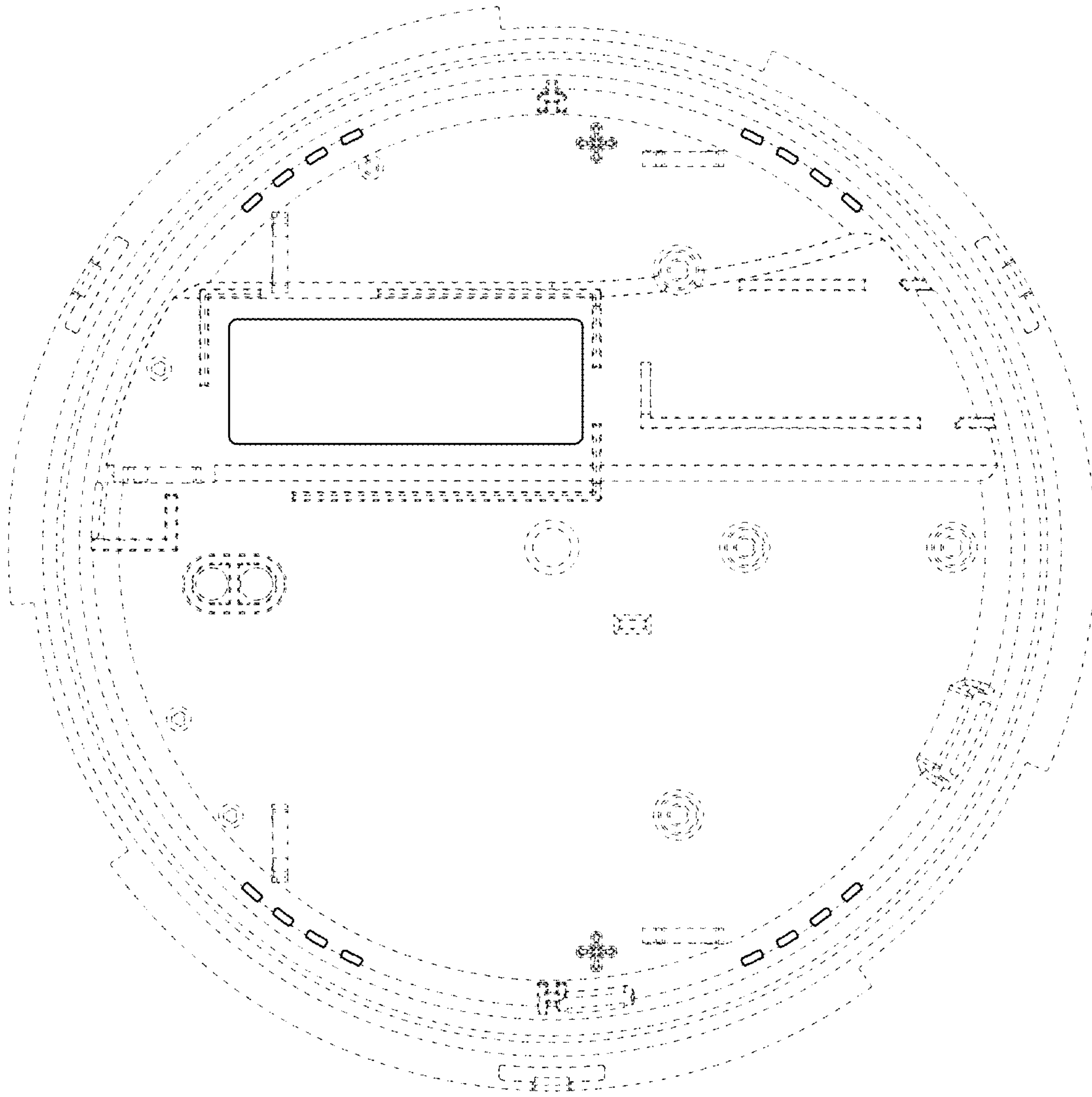


FIG. 3

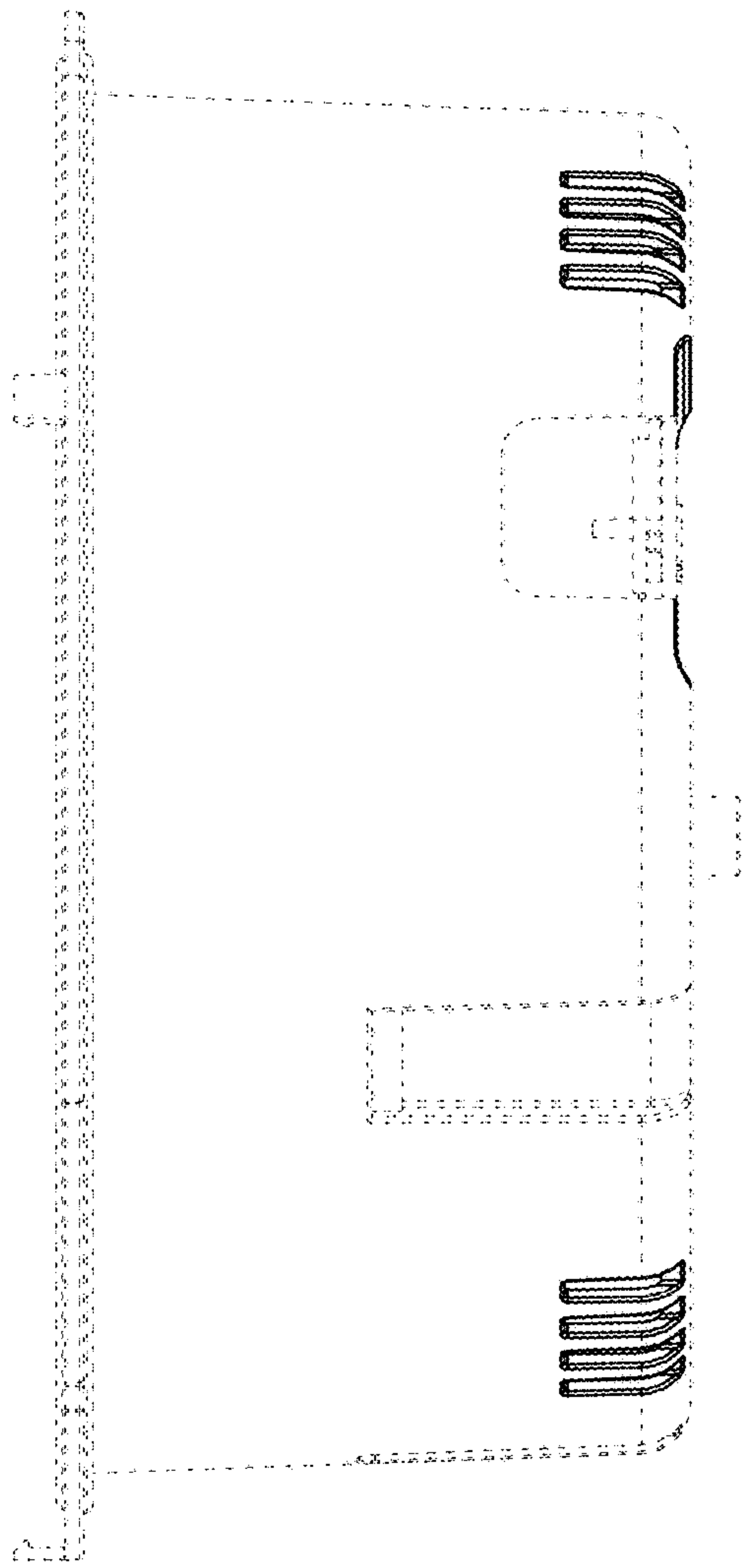


FIG. 4

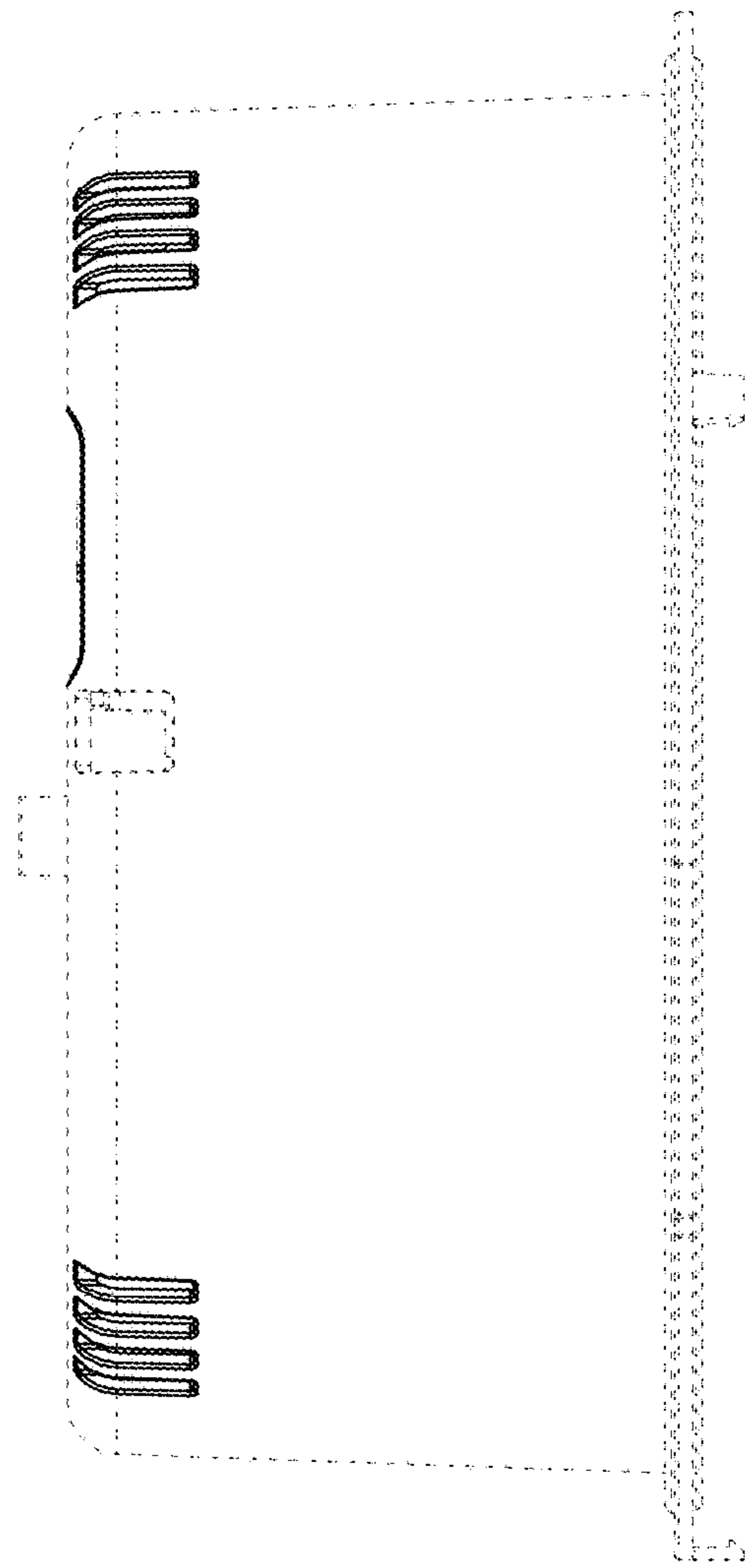


FIG. 5

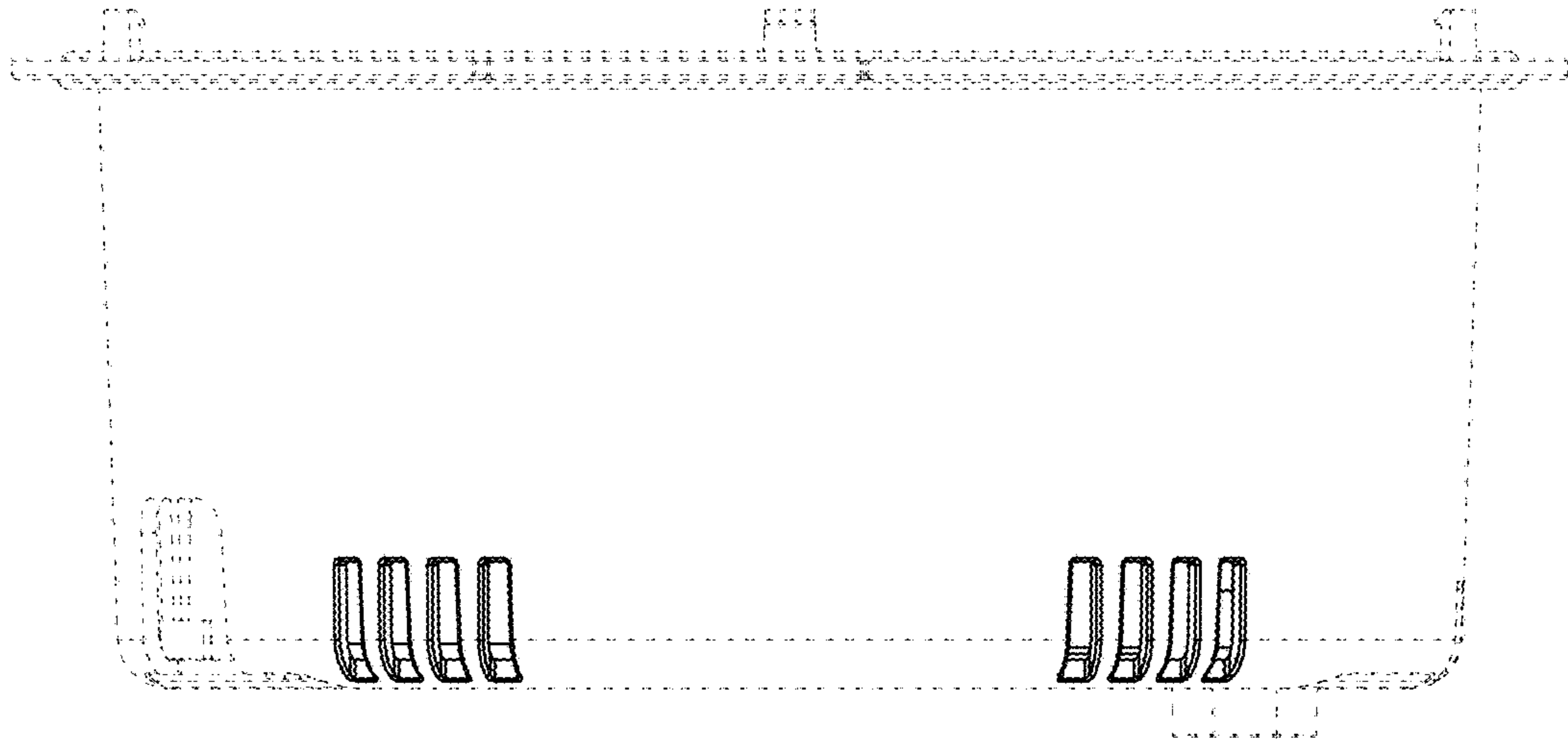


FIG. 6

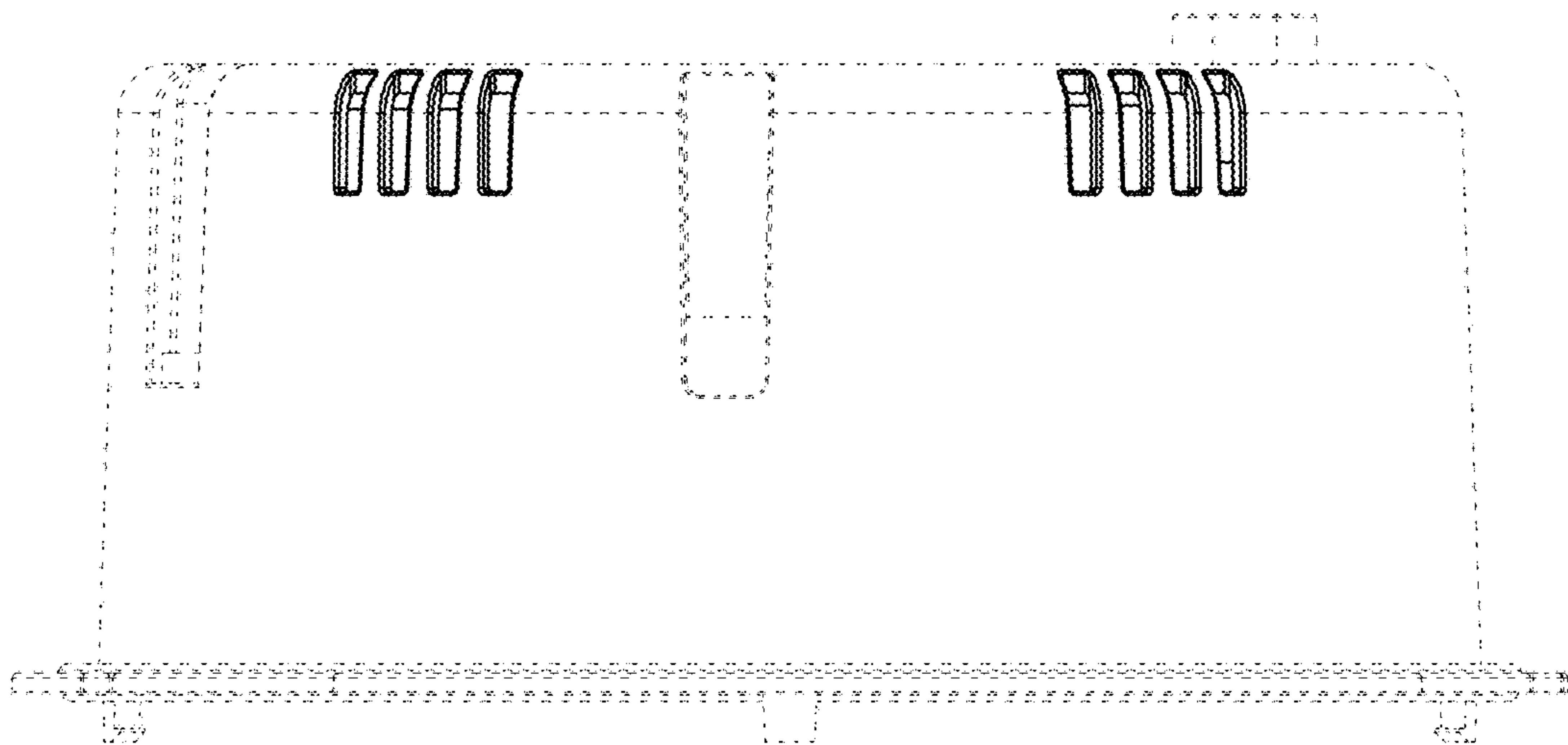


FIG. 7

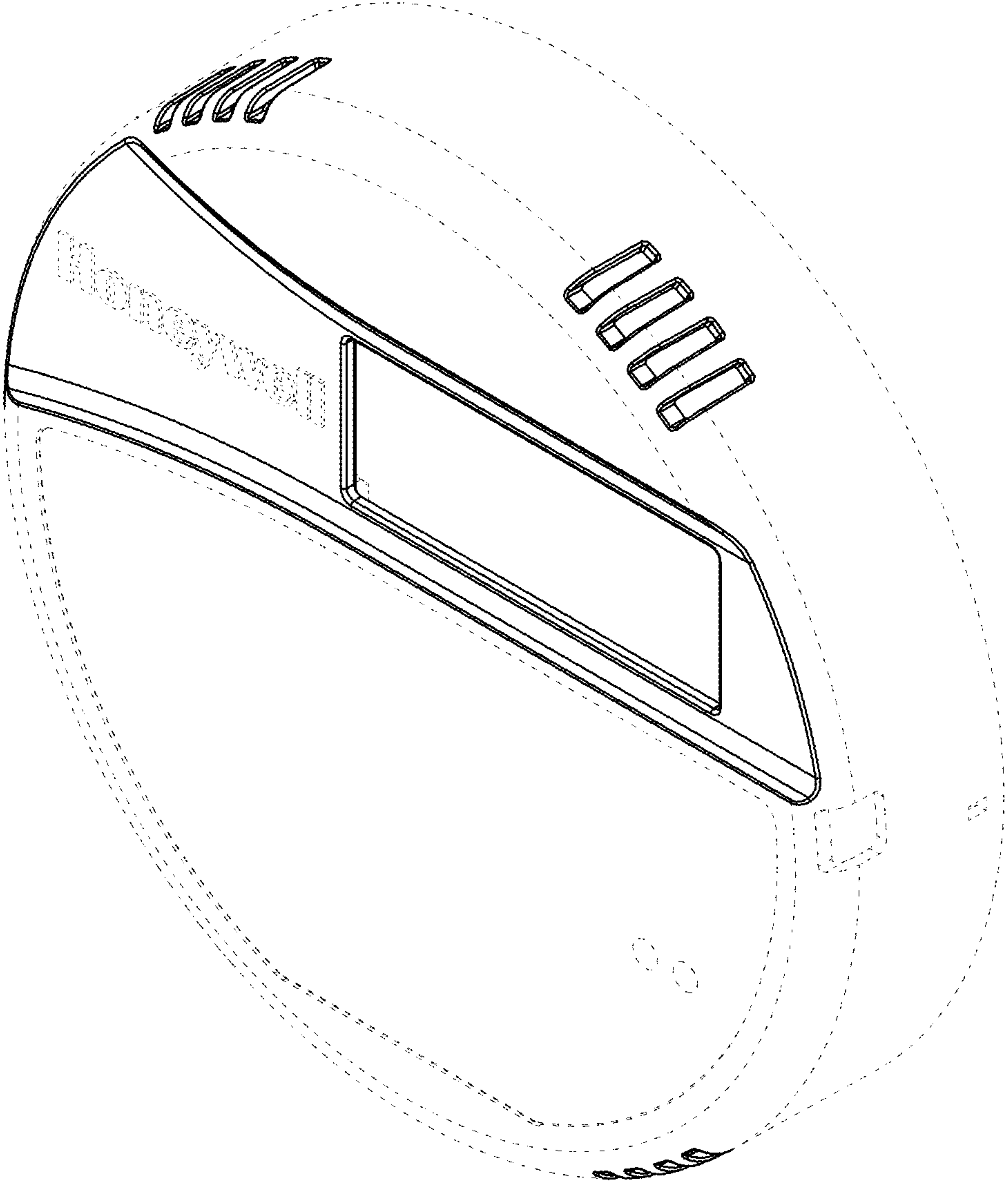


FIG. 8

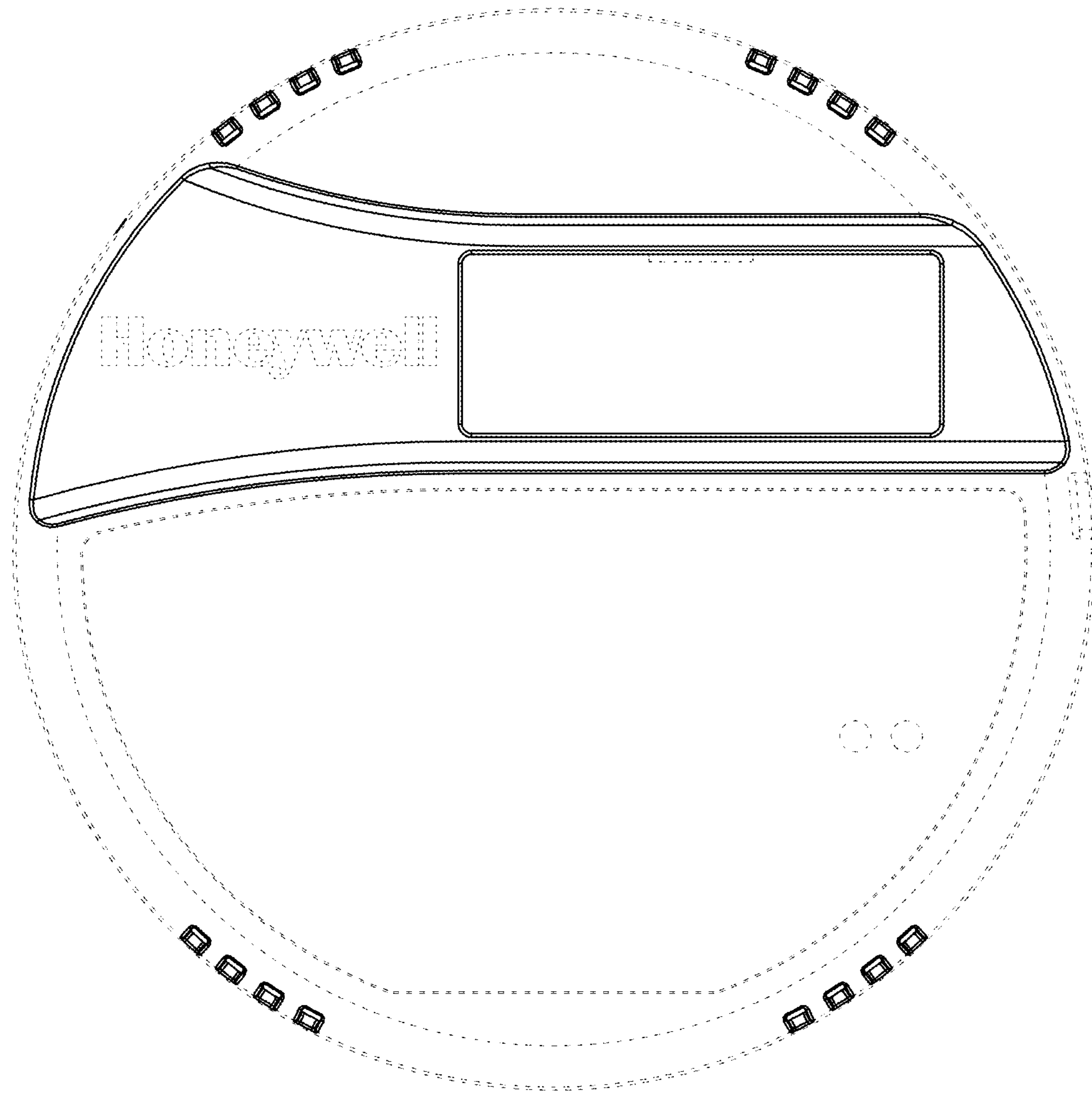


FIG. 9

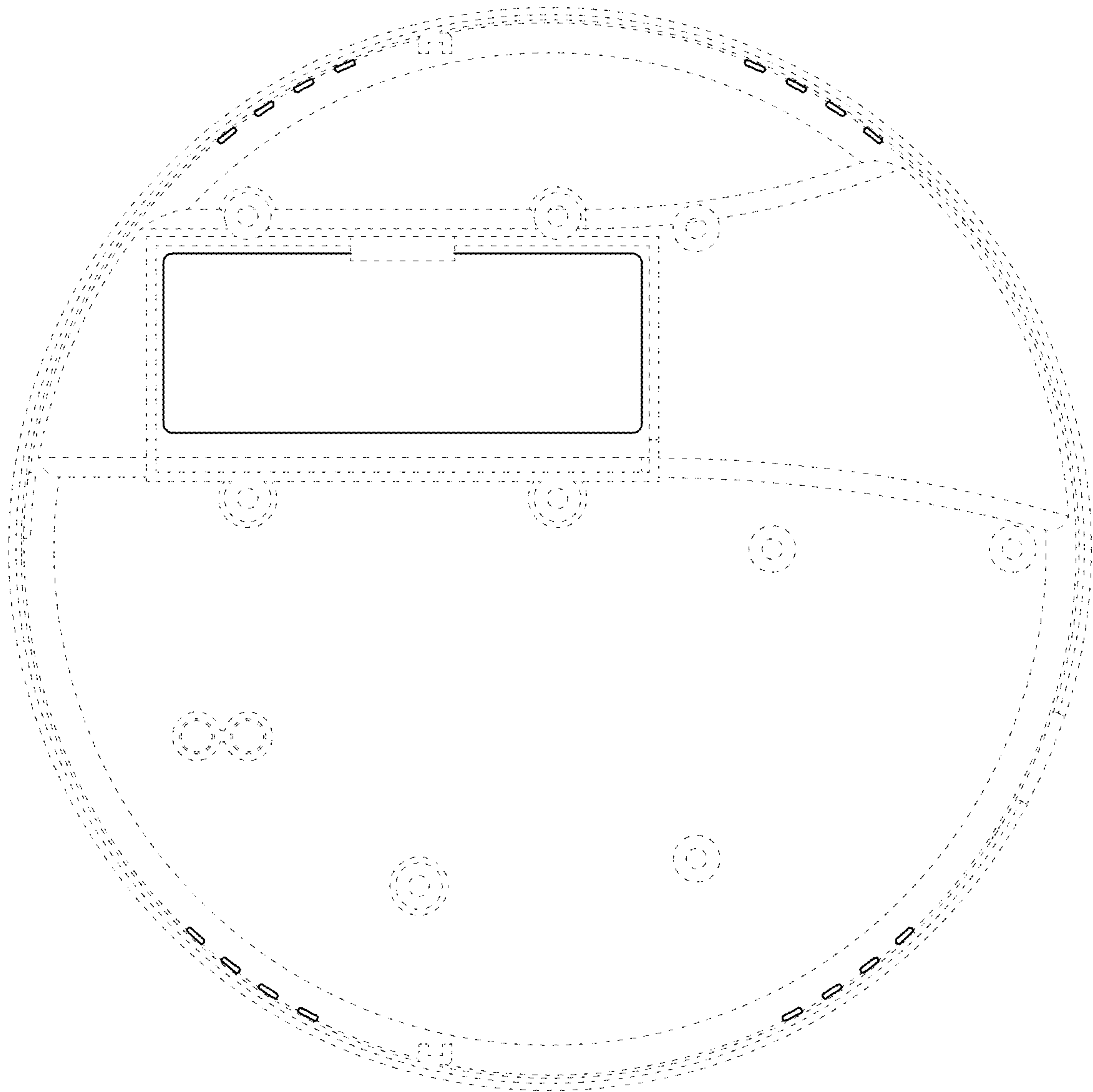


FIG. 10

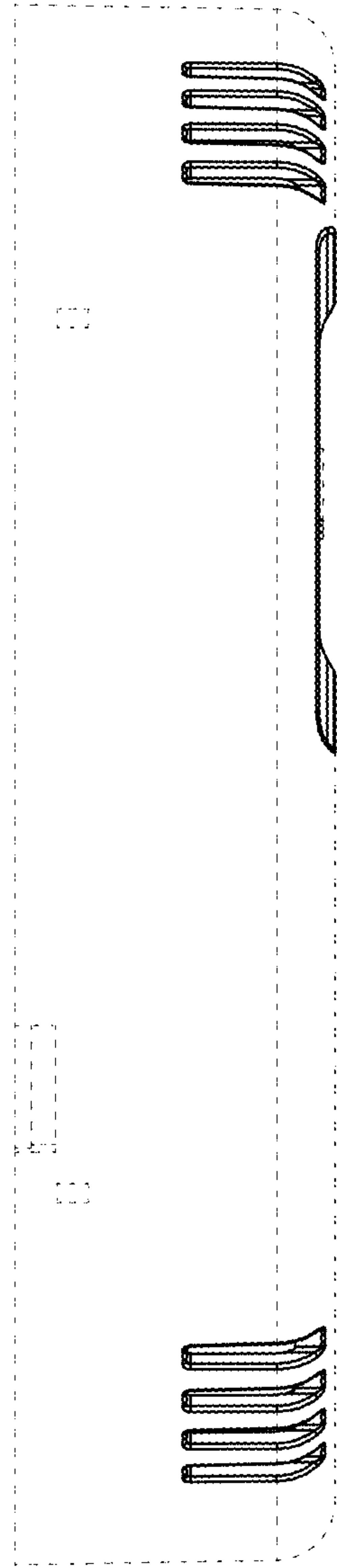


FIG. 11

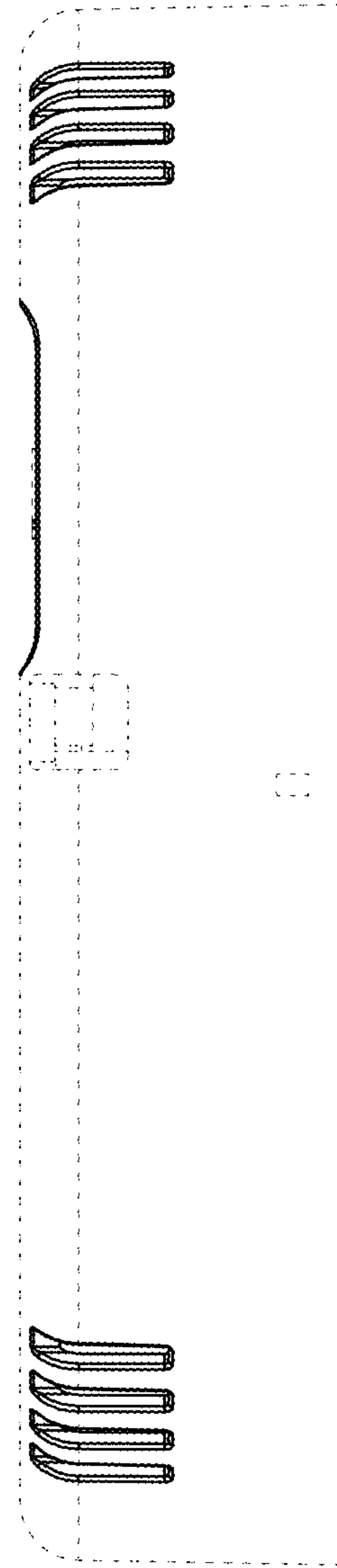


FIG. 12



FIG. 13

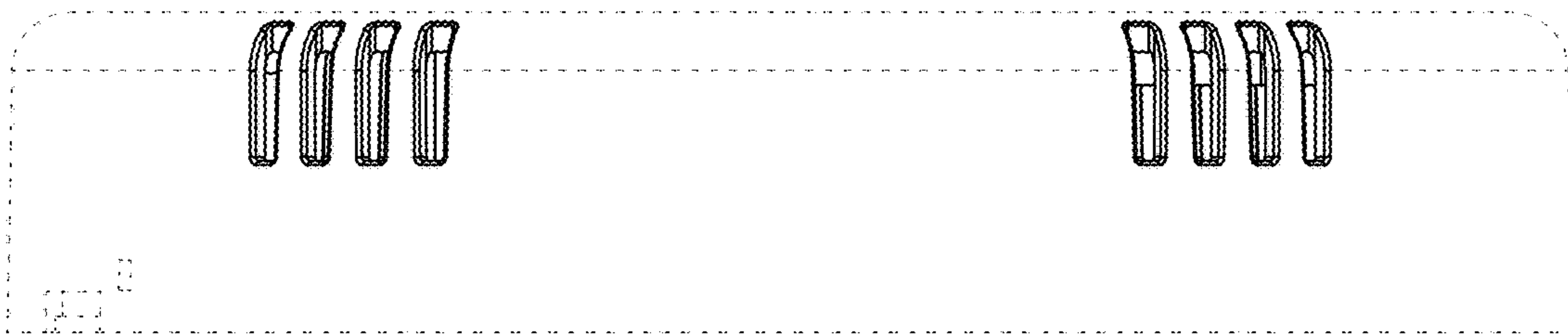


FIG. 14