



US00D812504S

(12) **United States Design Patent**
Headley et al.

(10) **Patent No.:** **US D812,504 S**
(45) **Date of Patent:** **** Mar. 13, 2018**

(54) **TURBINE METER**

(71) Applicant: **TUTHILL CORPORATION**, Fort Wayne, IN (US)

(72) Inventors: **Thomas R. Headley**, Roanoke, IN (US); **William R. Cooper**, Roanoke, IN (US); **Craig L. Cavanaugh**, Ossian, IN (US)

(73) Assignee: **Tuthill Corporation**, Fort Wayne, IN (US)

(**) Term: **15 Years**

(21) Appl. No.: **29/581,745**

(22) Filed: **Oct. 21, 2016**

(51) **LOC (11) Cl.** **10-04**

(52) **U.S. Cl.**
USPC **D10/96**

(58) **Field of Classification Search**
USPC D10/96
CPC G01F 1/40; G01F 1/42; G01F 1/44; G01F 1/46; G01F 1/74; G01F 11/003; G01F 11/006; G01N 21/03; G01N 21/05; G01N 2021/0378; G01N 2021/0382; G01N 2021/052; G01N 2021/054; G01N 2021/056; G01N 2021/058
See application file for complete search history.

(56) **References Cited**

U.S. PATENT DOCUMENTS

D633,401 S	*	3/2011	Cavanaugh	D10/96
D665,286 S	*	8/2012	Christianson	D10/96
D698,678 S	*	2/2014	Varini	D10/96
D800,590 S	*	10/2017	Kuppi	D10/96

OTHER PUBLICATIONS

GPI 03 Series Electronic Digital Meter; 9/11.
GPI 01A Economy Electric Digital Meters; 9/4.

Adam Diflow ILG00D 1 Inch BSP(F) Digital Multi-Purpose Flow Meter 10 to 150 LPM.
Fill-Rite FR1118-A10 User's Manual.

* cited by examiner

Primary Examiner — Antoine Duval Davis
(74) *Attorney, Agent, or Firm* — Barnes & Thornburg LLP

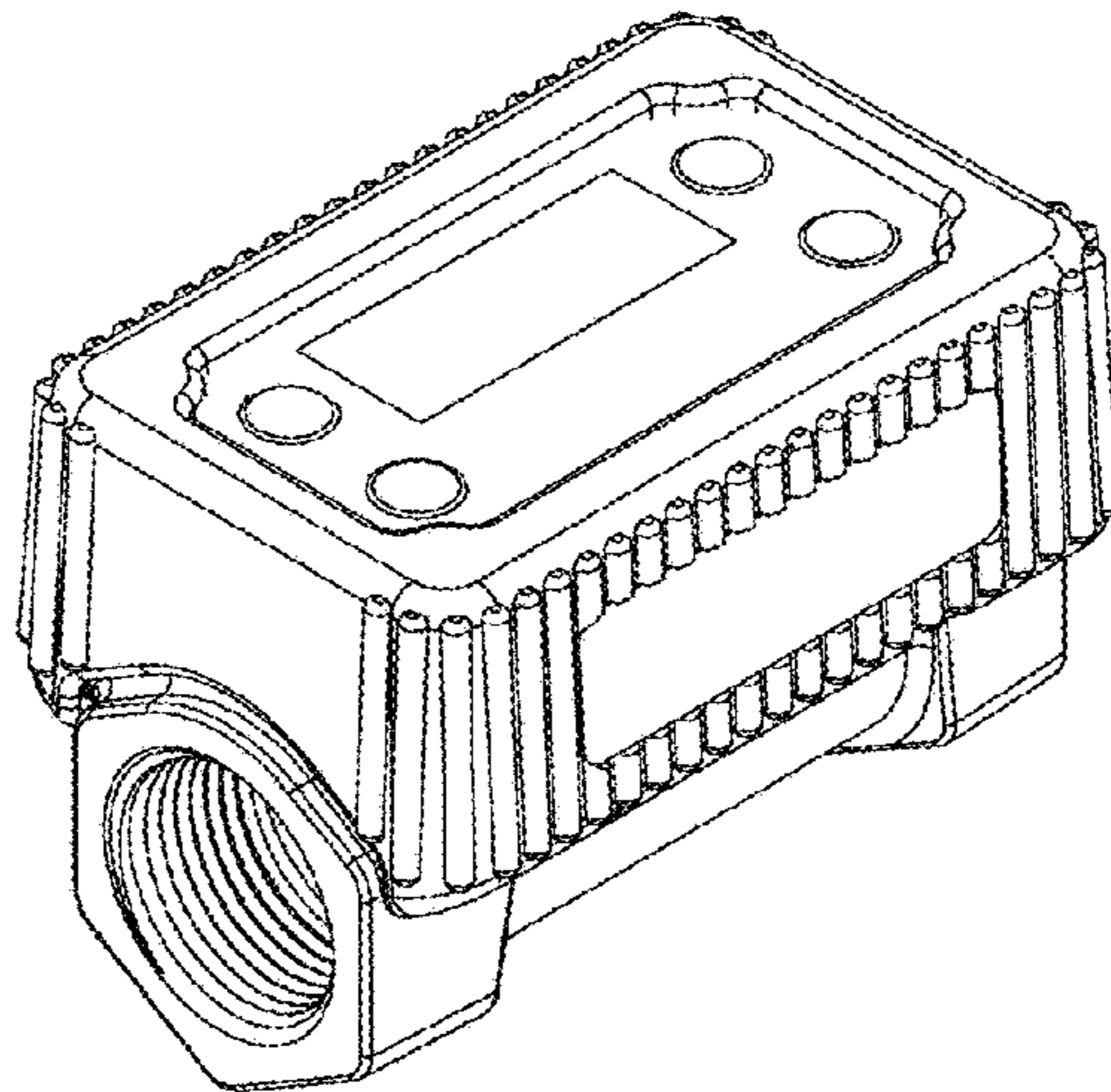
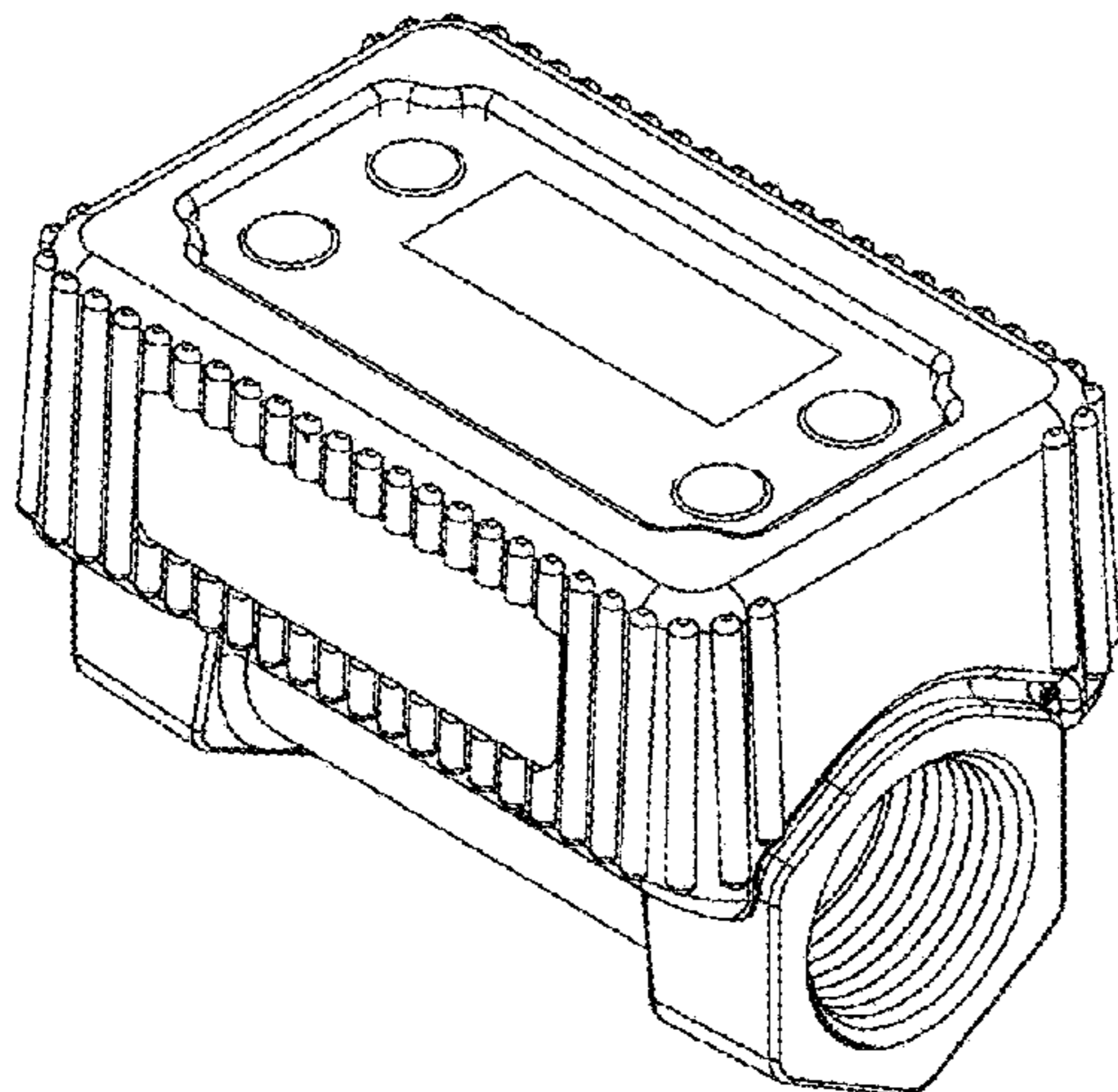
(57) **CLAIM**

An ornamental design for a turbine meter, as shown and described.

DESCRIPTION

FIG. 1 is a right-hand perspective view of a design of a turbine meter;
FIG. 2 is a left-hand perspective view of the turbine meter of FIG. 1;
FIG. 3 is a rear perspective view of the turbine meter of FIG. 1;
FIG. 4 is a front underside perspective view of the turbine meter shown in FIG. 1;
FIG. 5 is a right-hand rear underside perspective view of the turbine meter of FIG. 1;
FIG. 6 is a left-hand underside rear perspective view of the turbine meter of FIG. 1;
FIG. 7 is a top view of the turbine meter of FIG. 1;
FIG. 8 is an underside view of the turbine meter of FIG. 1;
FIG. 9 is a front elevation view of the turbine meter of FIG. 1;
FIG. 10 is a right-hand elevation view of the turbine meter of FIG. 1;
FIG. 11 is a rear elevation view of the turbine meter of FIG. 1; and,
FIG. 12 is a left-hand elevation view of the turbine meter of FIG. 1.
To the extent any broken lines are shown in any of the drawings, they are for purposes of illustrating portions of the fuel transfer pump and form no part of the claimed design.

1 Claim, 12 Drawing Sheets



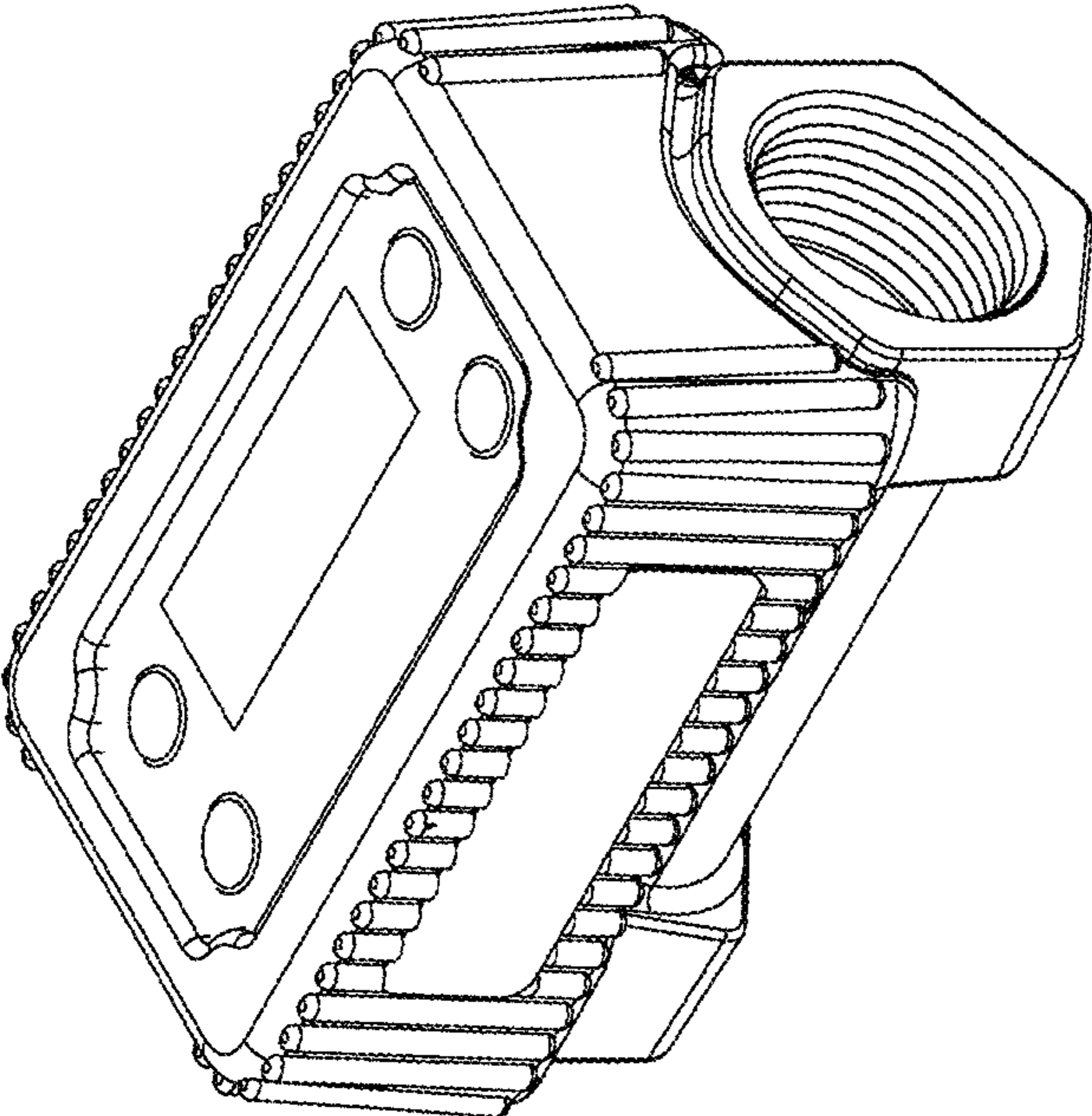


Fig. 1

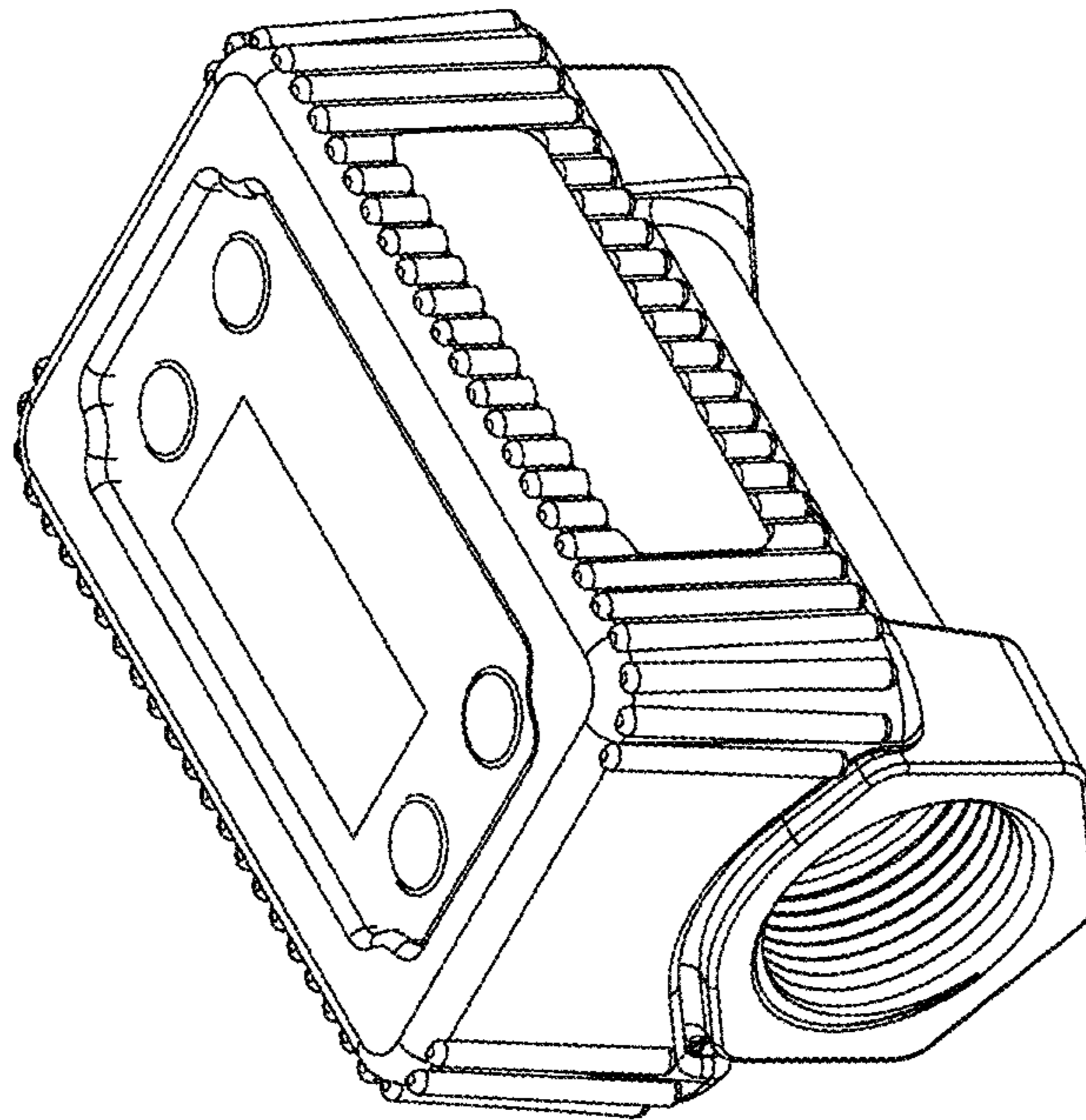


Fig. 2

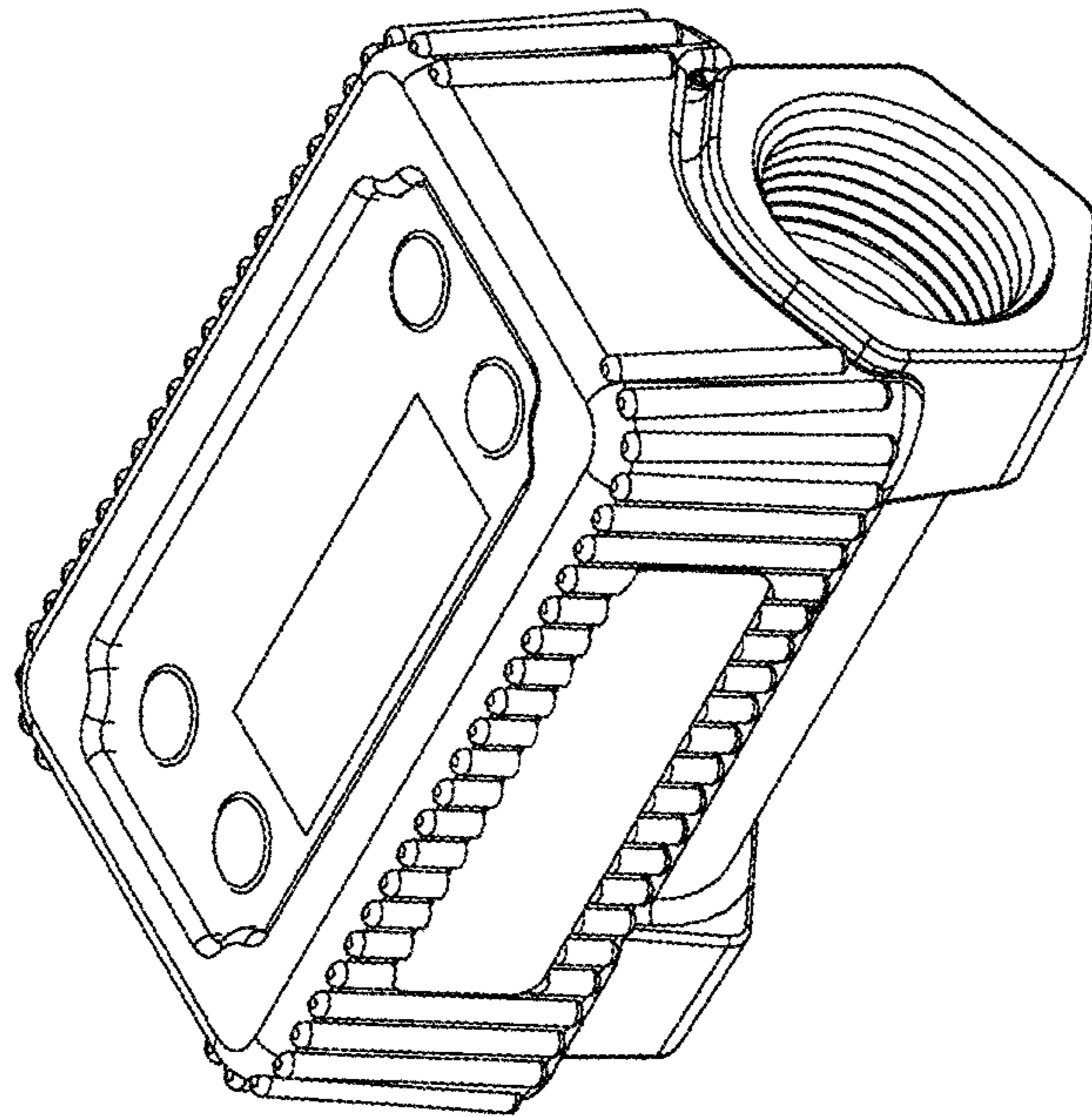


Fig. 3

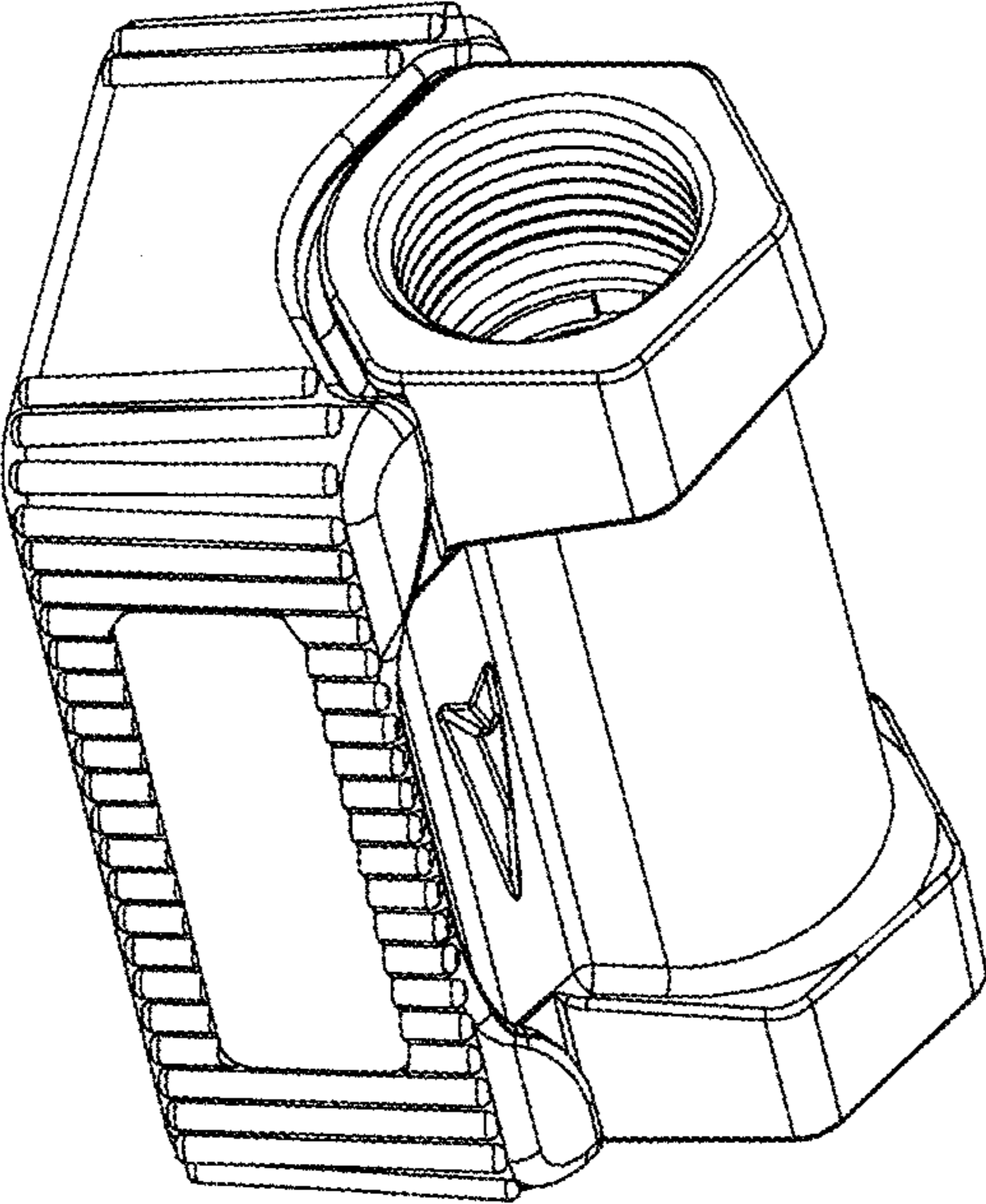


Fig. 4

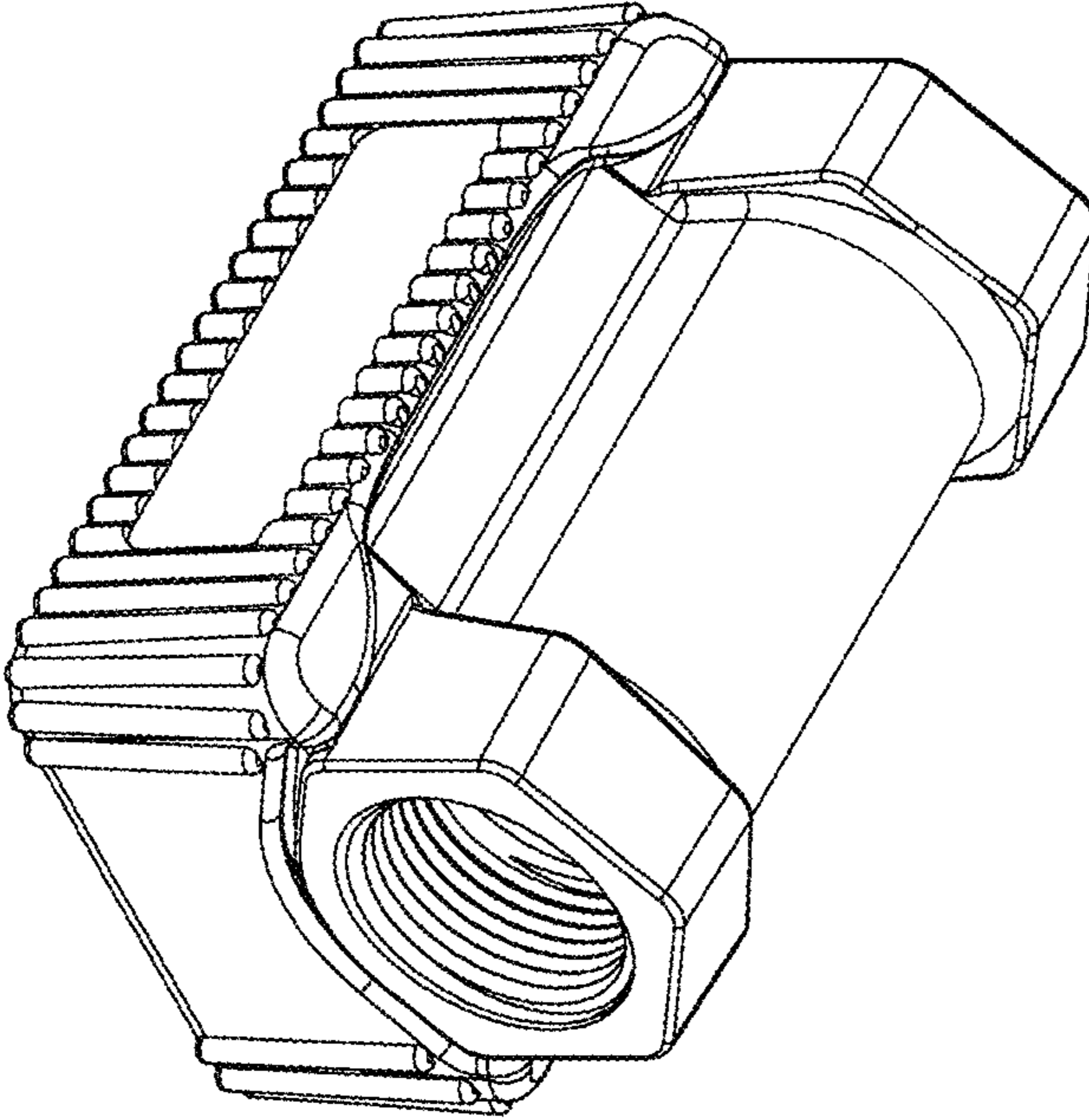


Fig. 5

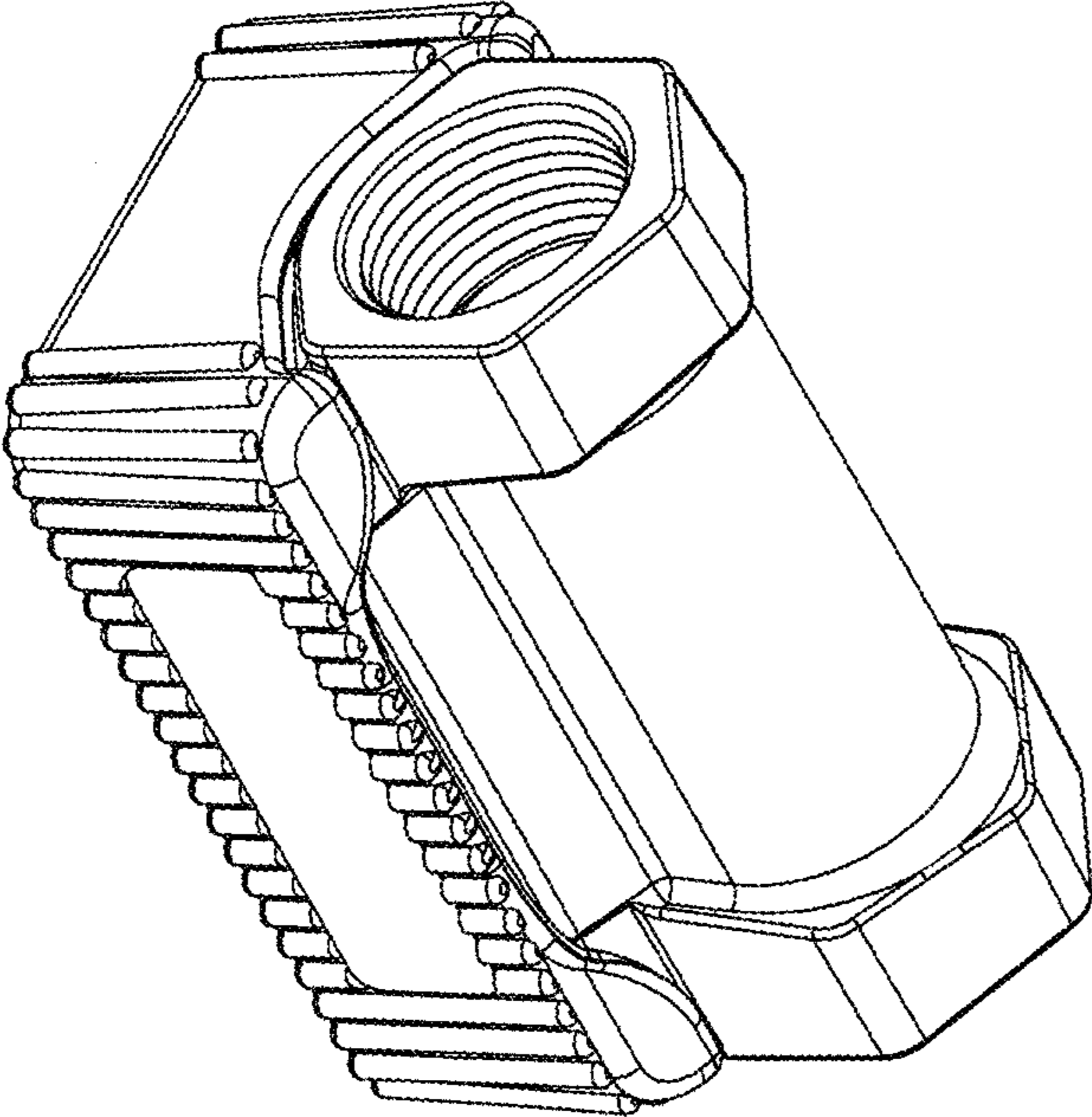


Fig. 6

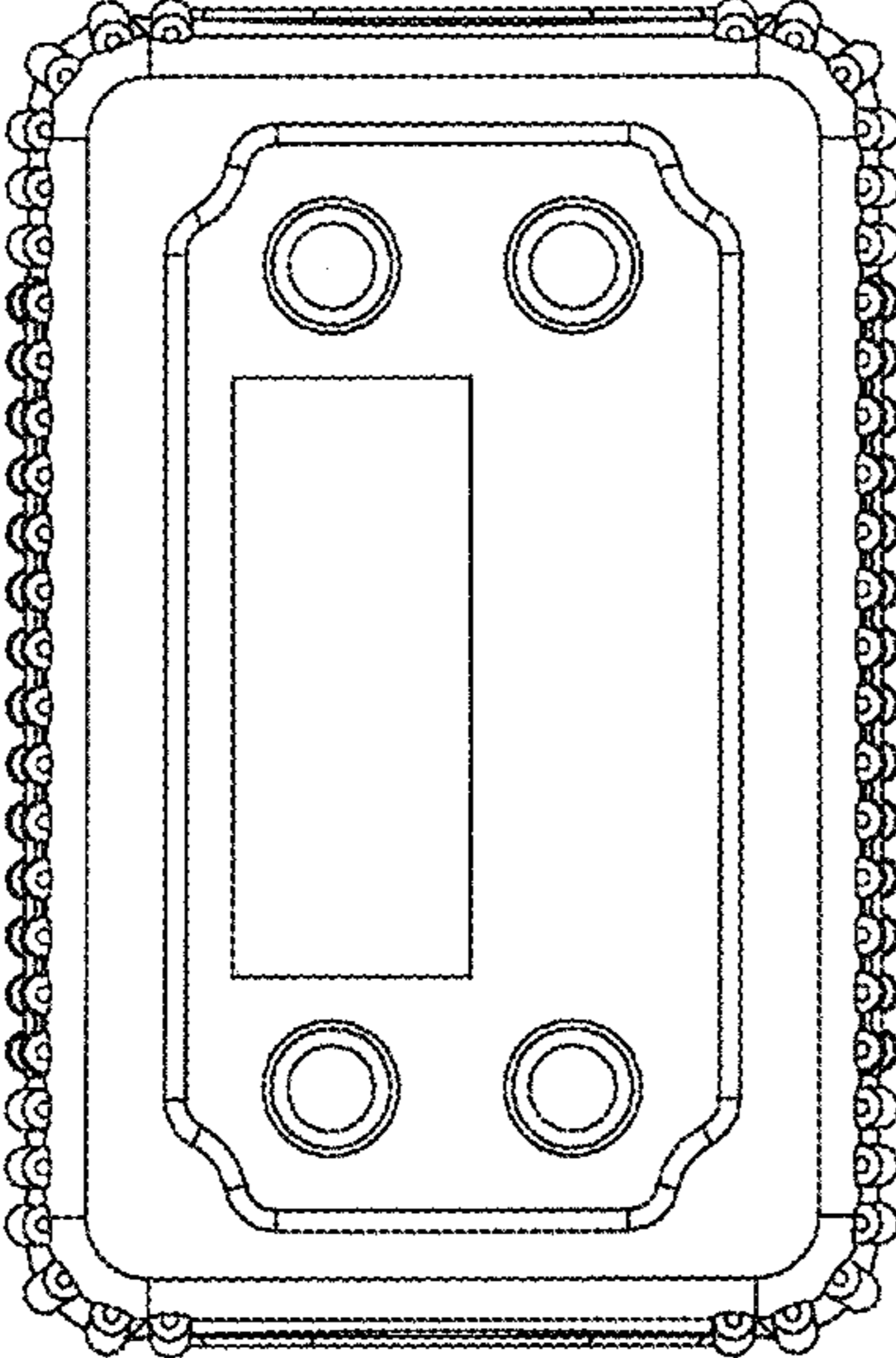


Fig. 7

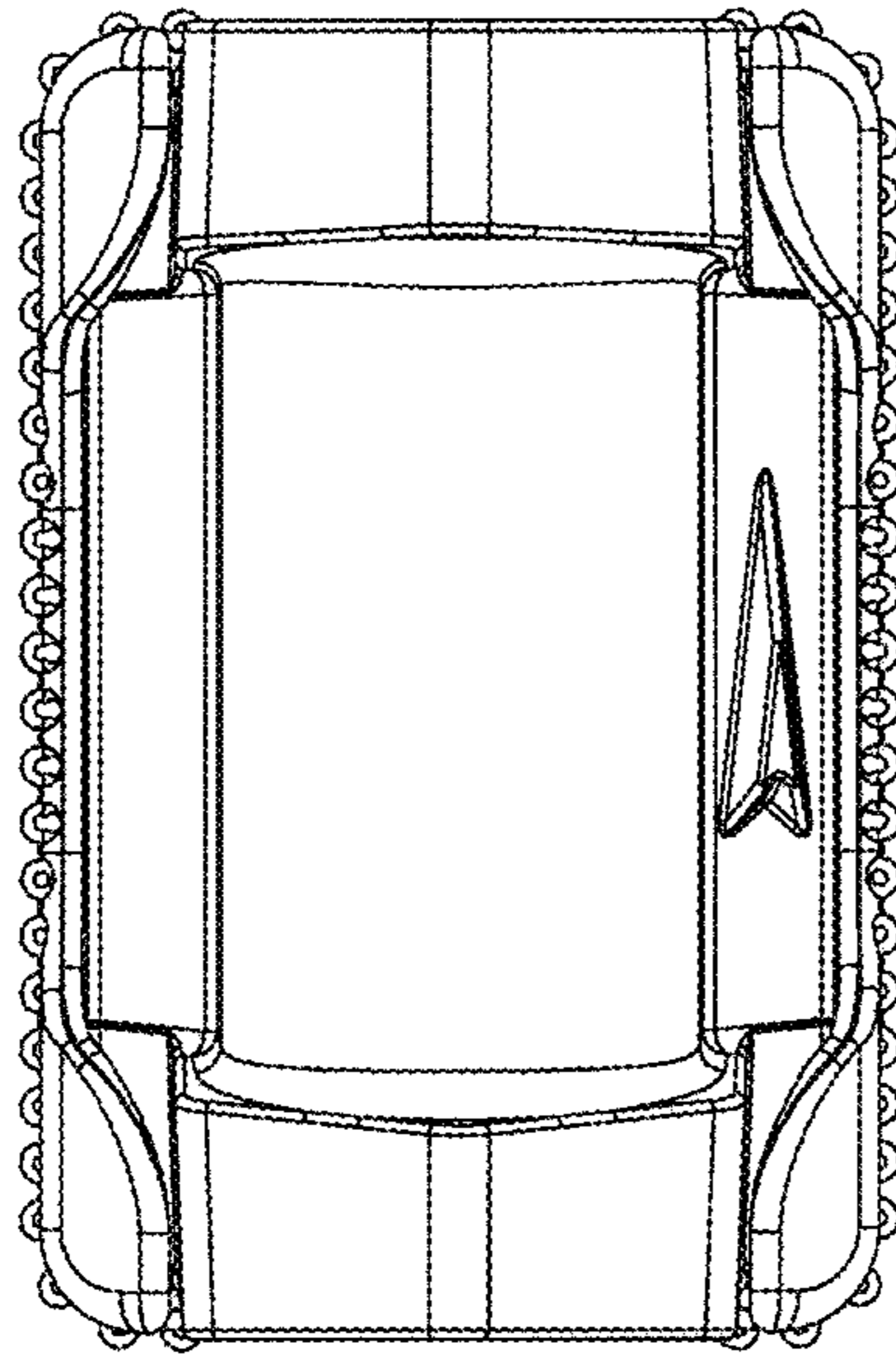


Fig. 8

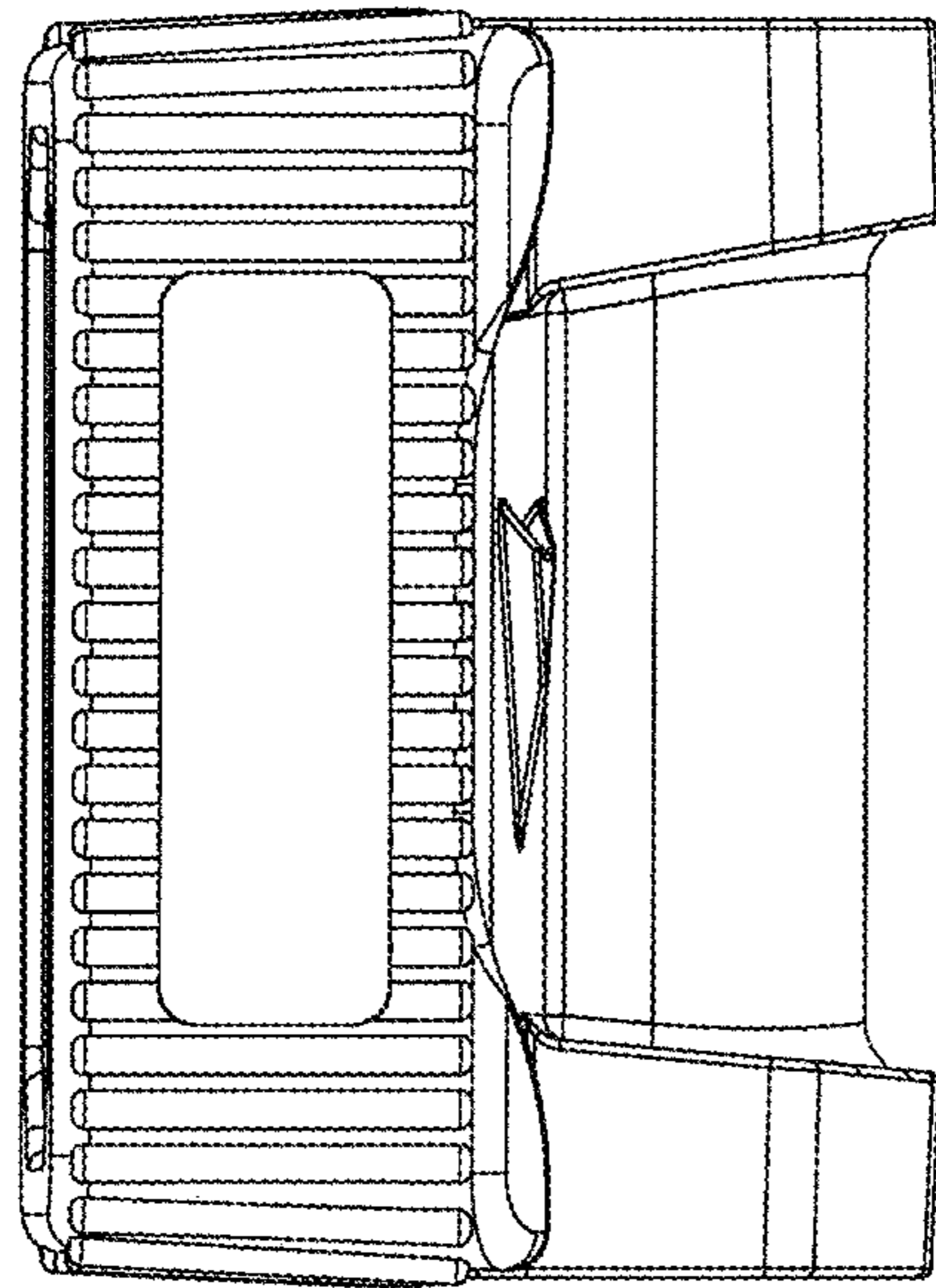


Fig. 9

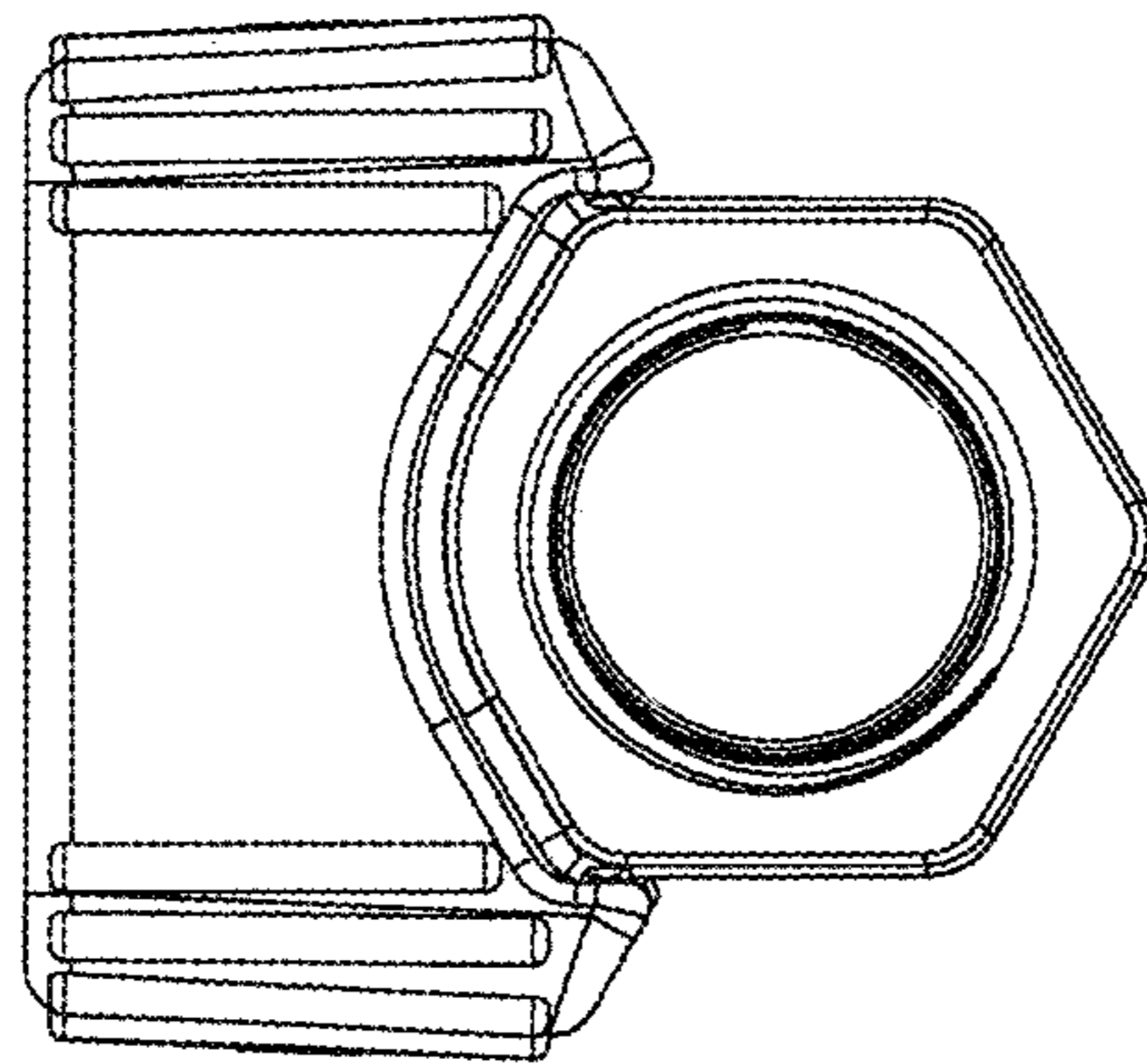


Fig. 10

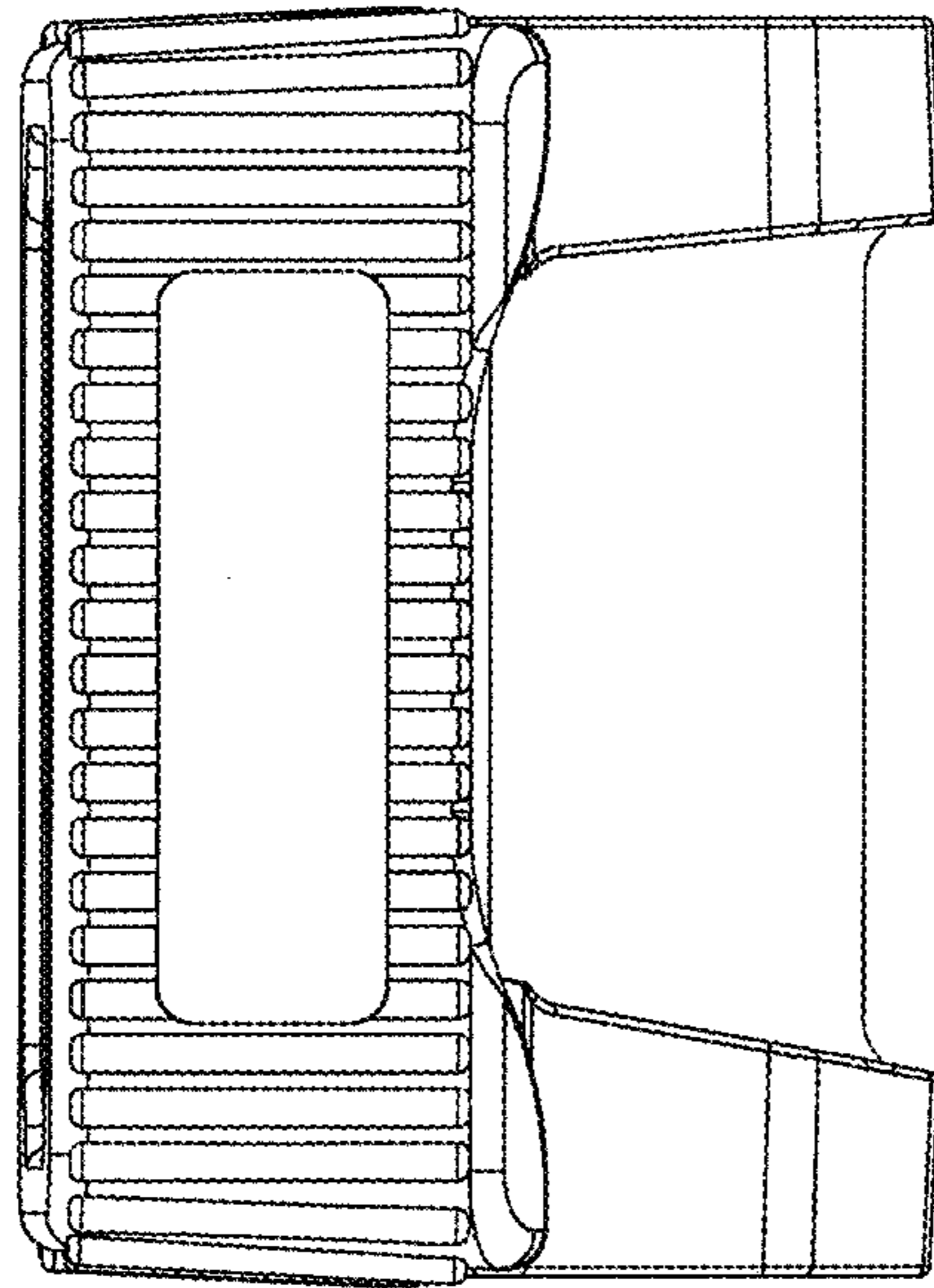


Fig. 11

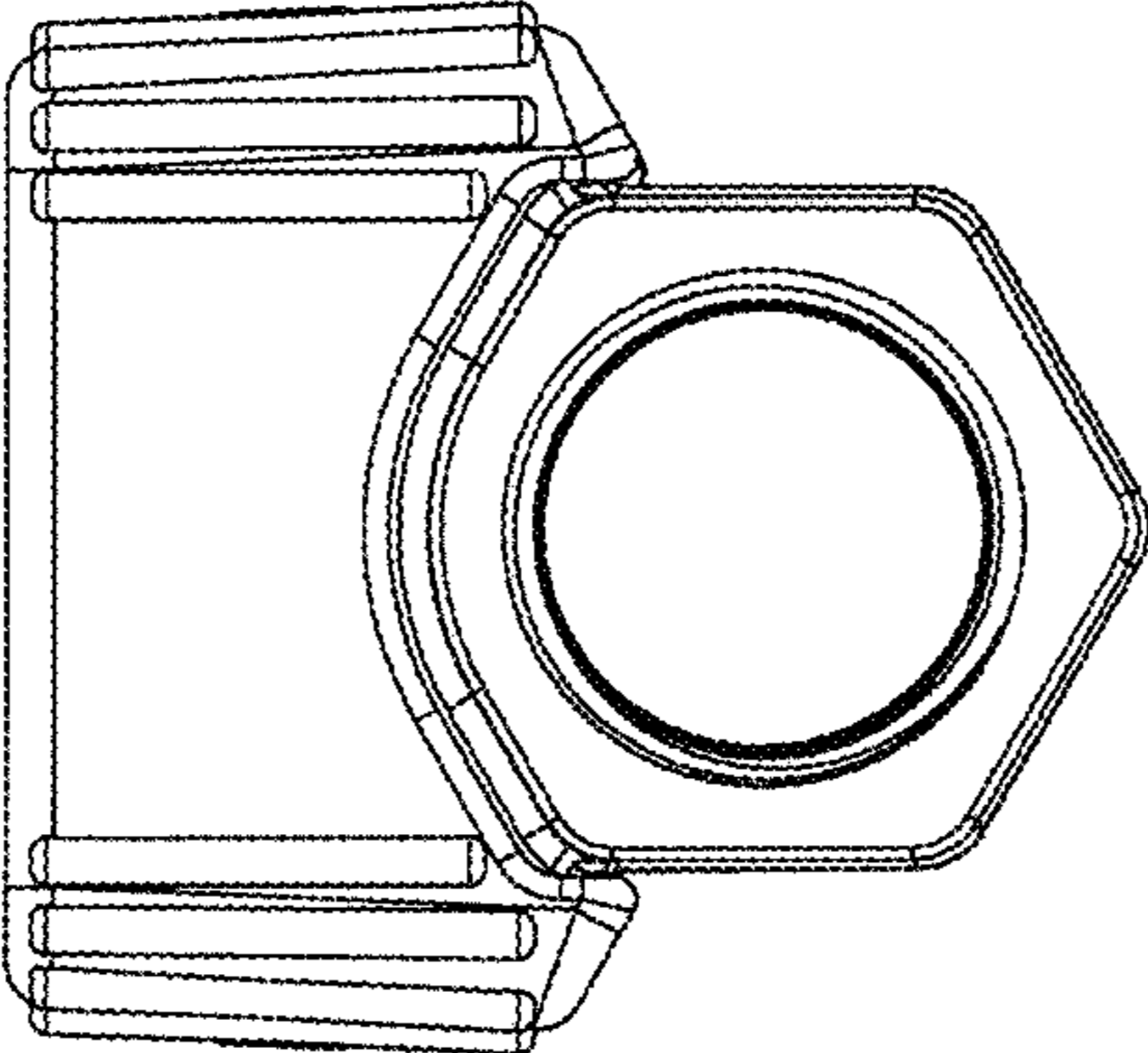


Fig. 12