



US00D812501S

(12) **United States Design Patent**  
**Kuh et al.**

(10) **Patent No.:** **US D812,501 S**  
(45) **Date of Patent:** **\*\* Mar. 13, 2018**

(54) **PET MONITORING BASE STATION**

(71) Applicant: **PetPomm, Inc.**, Punta Gorda, FL (US)

(72) Inventors: **Christopher Kuh**, San Francisco, CA (US); **Sang Ik Lee**, San Francisco, CA (US); **Alexander James Andreae**, Punta Gorda, FL (US); **Sebastian Milton Nonis**, El Dorado Hills, CA (US); **Megan Madalynne Rice**, Punta Gorda, FL (US); **Anthony C. Dubbaneh**, Punta Gorda, FL (US)

(73) Assignee: **PetPomm, Inc.**, Punta Gorda, FL (US)

(\*\*) Term: **15 Years**

(21) Appl. No.: **29/580,464**

(22) Filed: **Oct. 10, 2016**

(51) **LOC (11) Cl.** ..... **10-04**

(52) **U.S. Cl.**  
USPC ..... **D10/74; D30/152**

(58) **Field of Classification Search**  
USPC ..... D10/70, 74, 80; D30/152  
CPC .. A01K 11/006; A01K 11/007; A01K 11/008;  
A01K 15/00; A01K 15/02; A01K 15/021;  
A01K 15/022; A01K 15/023; A01K  
15/04; A01K 27/009; A01K 29/005;  
A01K 29/009

See application file for complete search history.

(56) **References Cited**

U.S. PATENT DOCUMENTS

9,345,231 B2 \* 5/2016 Jalbert ..... A01K 5/02

\* cited by examiner

*Primary Examiner* — Antoine Duval Davis

(74) *Attorney, Agent, or Firm* — Aurora Consulting LLC;  
Ashley Sloat

(57) **CLAIM**

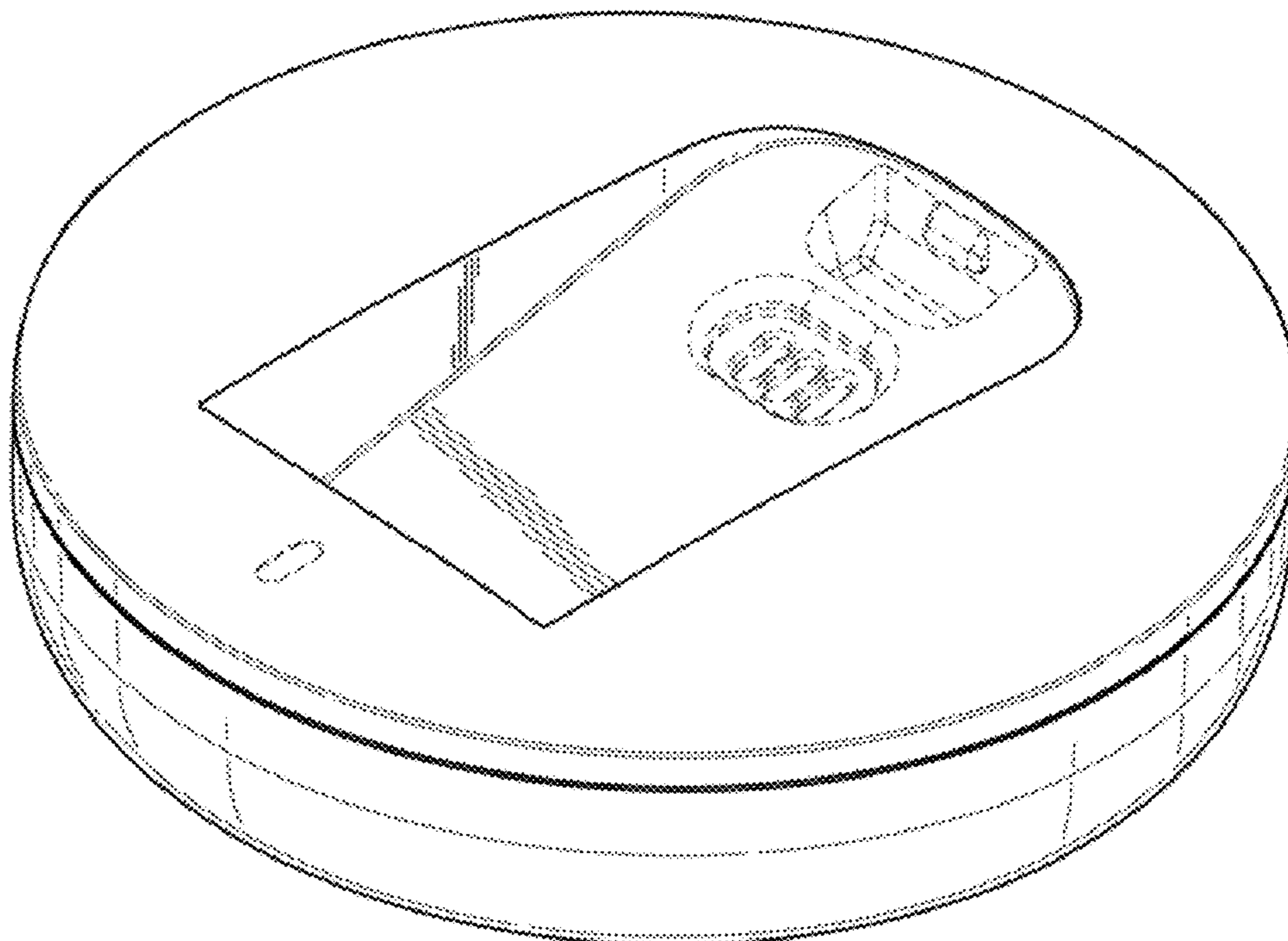
The ornamental design for a pet monitoring base station, as shown and described.

**DESCRIPTION**

FIG. 1 is a top perspective view of a pet monitoring base station, in accordance with the present design;  
FIG. 2 is a bottom perspective view thereof;  
FIG. 3 is a front view thereof;  
FIG. 4 is a rear view thereof;  
FIG. 5 is a top view thereof;  
FIG. 6 is a bottom view thereof;  
FIG. 7 is a right side view thereof; and,  
FIG. 8 is a left side view thereof.

The broken lines shown herein are for illustrative purposes and form no part of the claimed design.

**1 Claim, 8 Drawing Sheets**



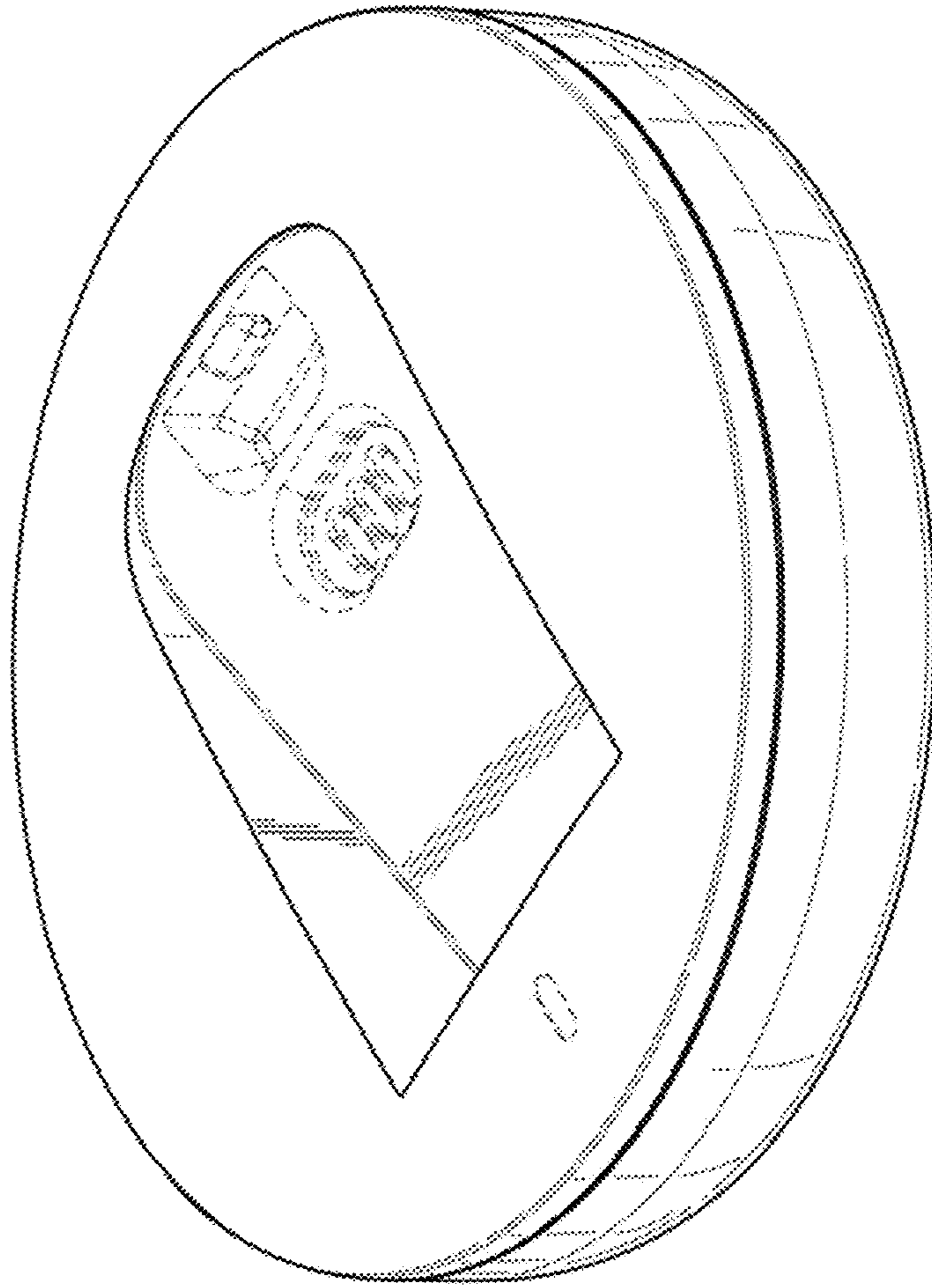


FIG. 1

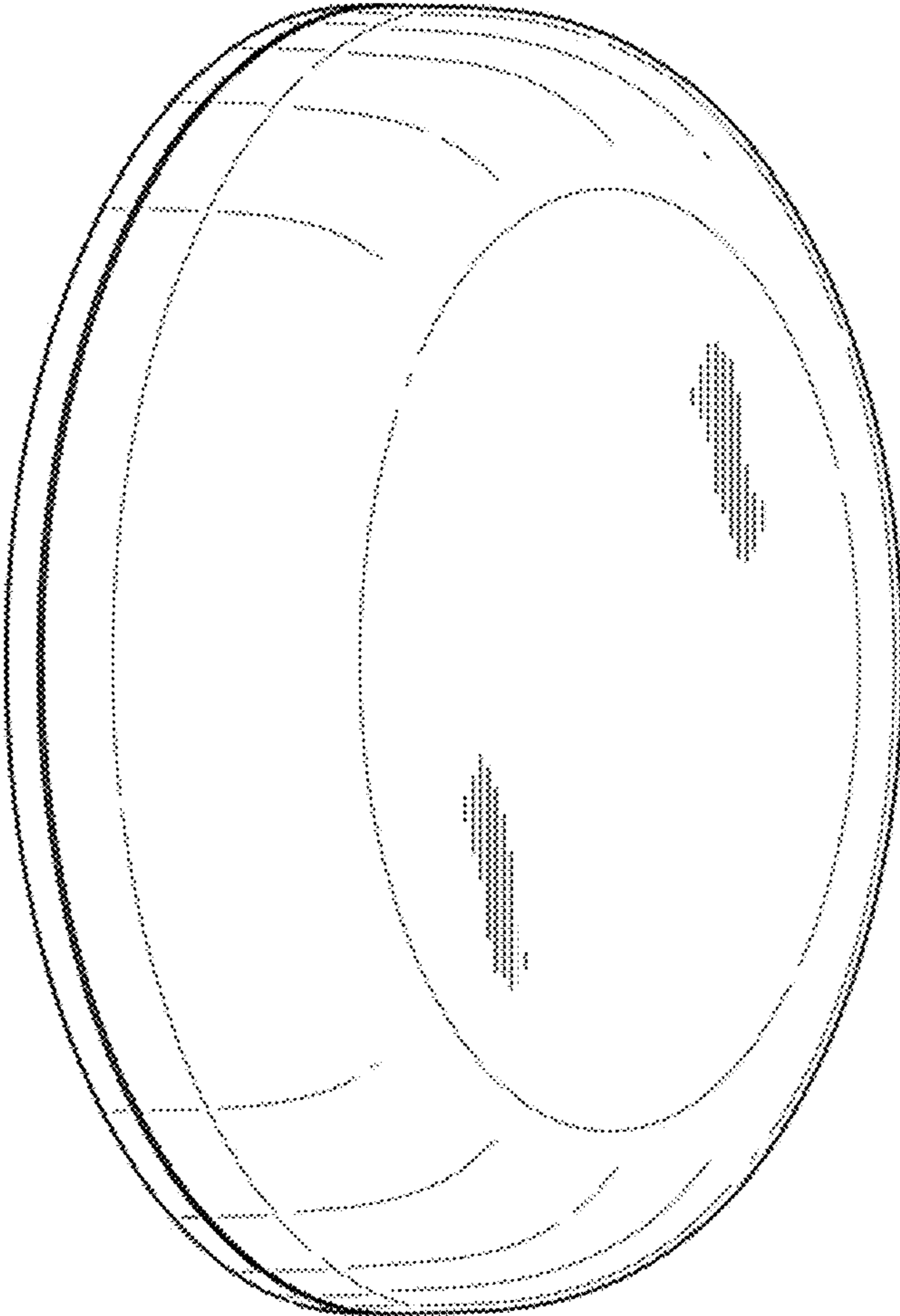


FIG. 2

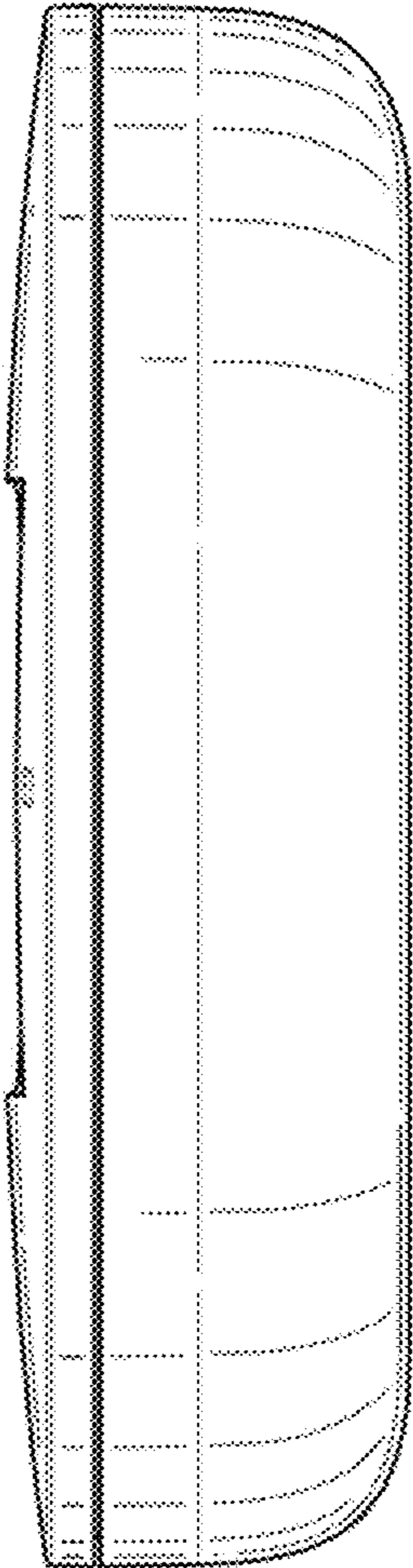


FIG. 3

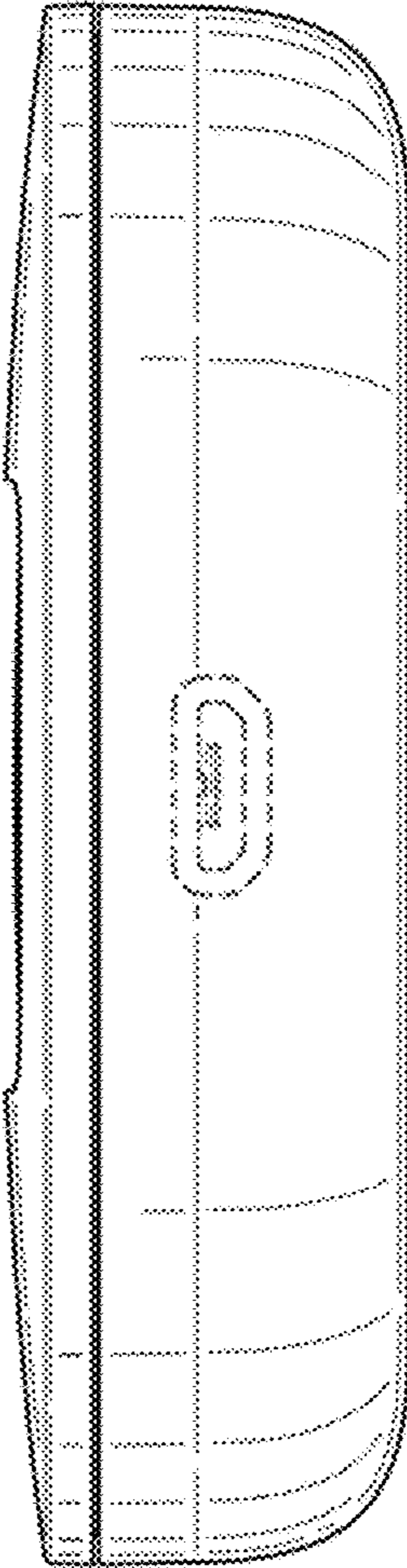


FIG. 4



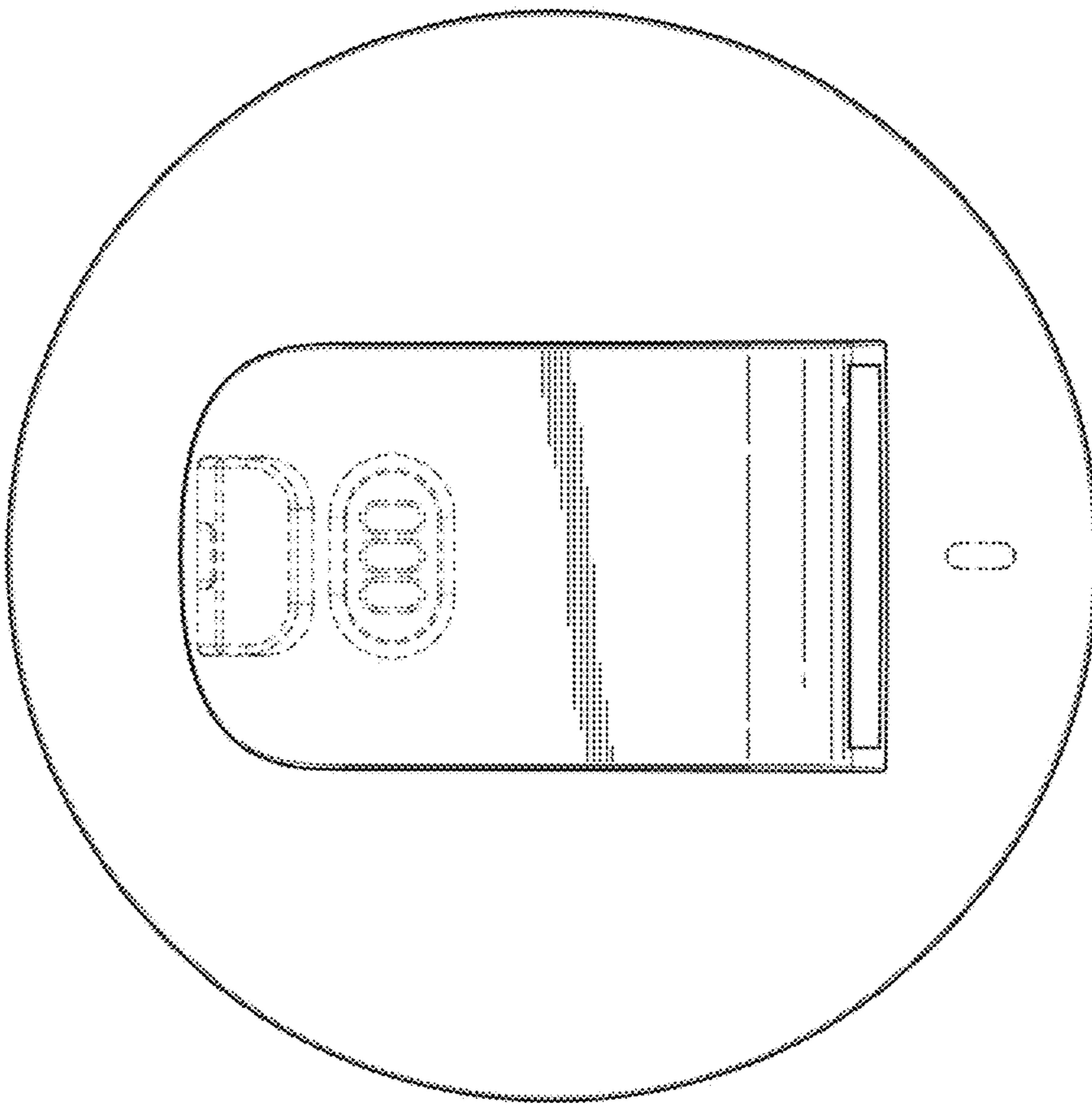


FIG. 5

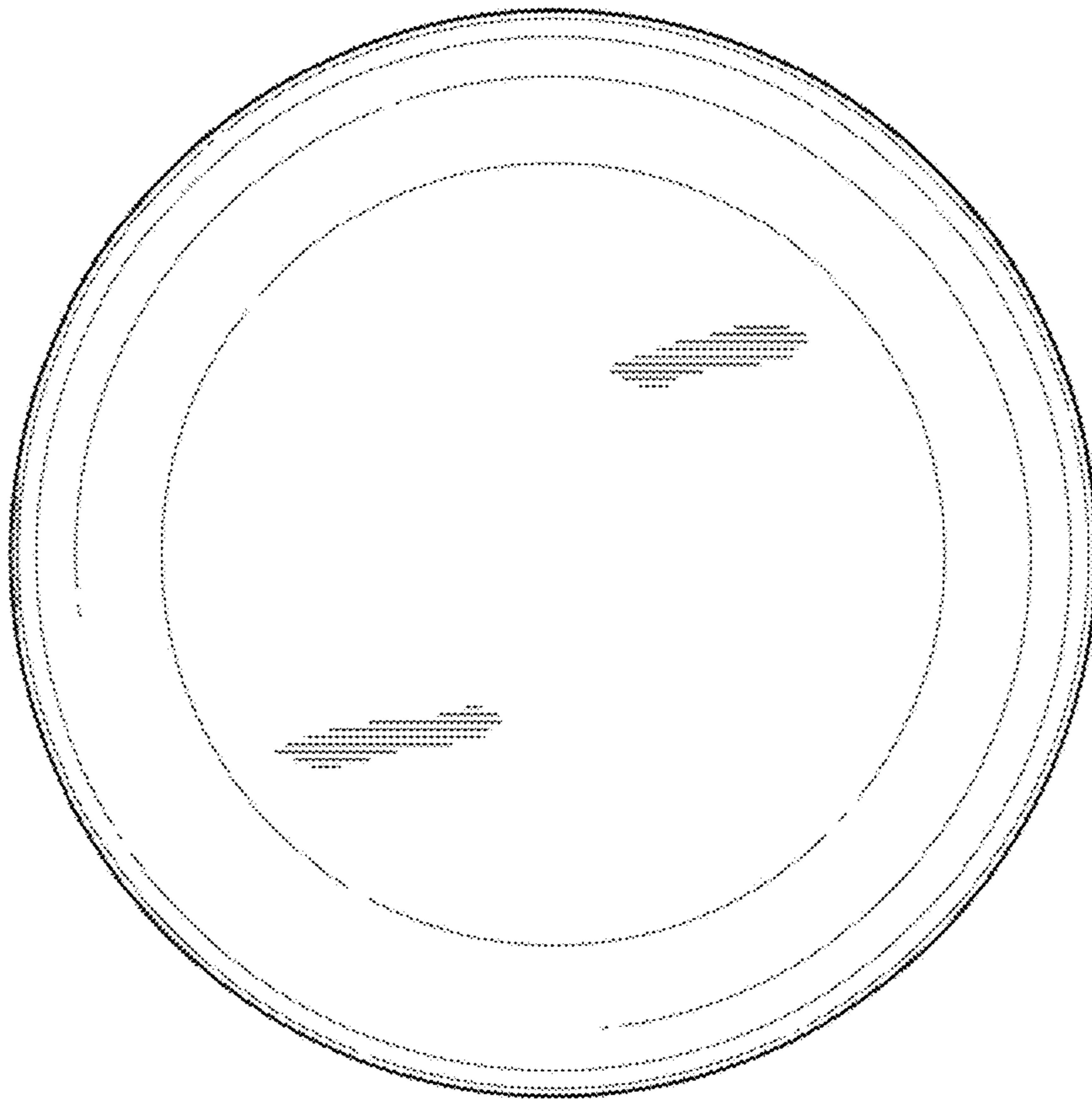


FIG. 6

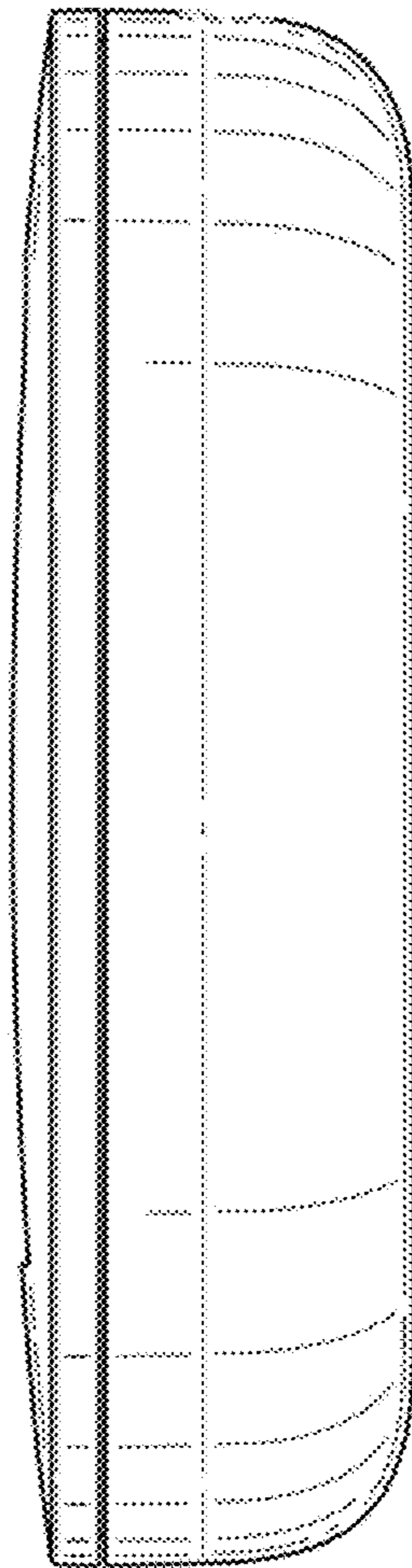


FIG. 7



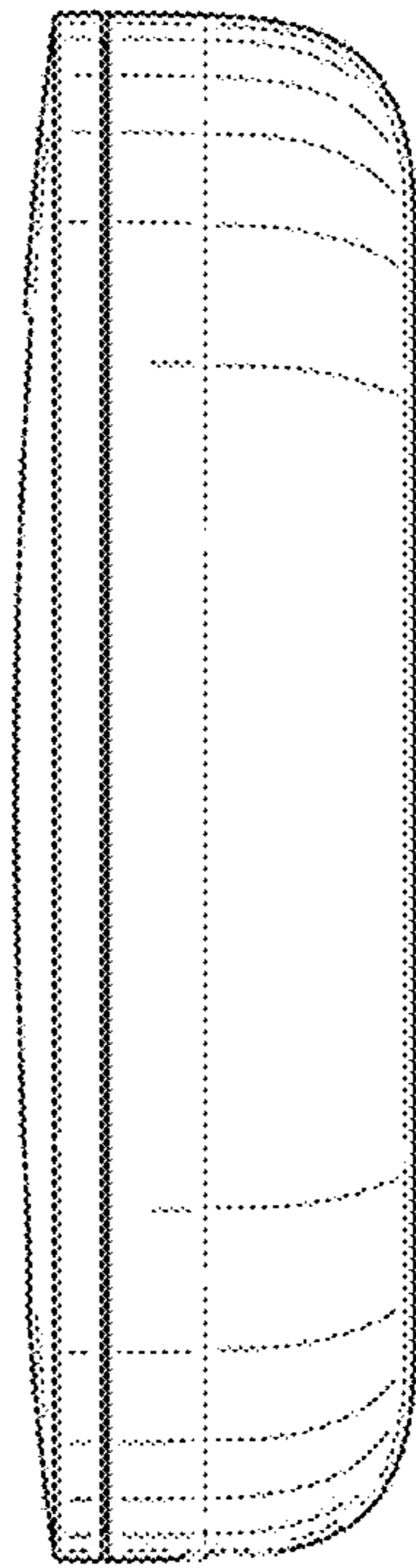


FIG. 8