



US00D812500S

(12) **United States Design Patent**
Lopez

(10) **Patent No.:** **US D812,500 S**
(45) **Date of Patent:** **** Mar. 13, 2018**

(54) **PENCIL HOLDER TOOL**

D653,974 S * 2/2012 Capra D10/72

(71) Applicant: **Dario Lopez**, Huntington Station, NY
(US)

* cited by examiner

(72) Inventor: **Dario Lopez**, Huntington Station, NY
(US)

Primary Examiner — Antoine Duval Davis

(74) *Attorney, Agent, or Firm* — Integrity Patent Group,
PLC; Edwin Wold

(**) Term: **15 Years**

(21) Appl. No.: **29/581,542**

(57) **CLAIM**

(22) Filed: **Oct. 20, 2016**

The ornamental design for a pencil holder tool, as shown and described.

(51) **LOC (11) Cl.** **10-04**

(52) **U.S. Cl.**

USPC **D10/72**

(58) **Field of Classification Search**

USPC D10/72

CPC G01B 3/10; G01B 3/1002; G01B 3/1041;
G01B 2003/1043; G01B 2003/1046;
G01B 2003/1048; G01B 2003/1051;
G01B 2003/1053–2003/1097; G01B
3/1082; G01B 3/1056; G01B 3/563;
G01B 3/566; G01B 3/1071; G01B
2003/1041; G07B 3/10

See application file for complete search history.

DESCRIPTION

FIG. 1 is a perspective view of a pencil holder tool design showing my new design;
FIG. 2 is a right side view thereof;
FIG. 3 is a left side view thereof;
FIG. 4 is a right side view thereof as engaged with a pencil;
FIG. 5 is a left side view thereof as engaged with a pencil;
FIG. 6 is a top plan view thereof as engaged with a pencil;
and,
FIG. 7 is a bottom plan view thereof as engaged with a pencil.

The pencil holder tool (“pencil holder tool”) is characterized by its capability to secure and retract a pencil from the tool.

(56) **References Cited**

U.S. PATENT DOCUMENTS

D360,838 S * 8/1995 Lin D10/72
D373,090 S * 8/1996 Bennett D10/72
D399,149 S * 10/1998 Bennett D10/72

1 Claim, 5 Drawing Sheets

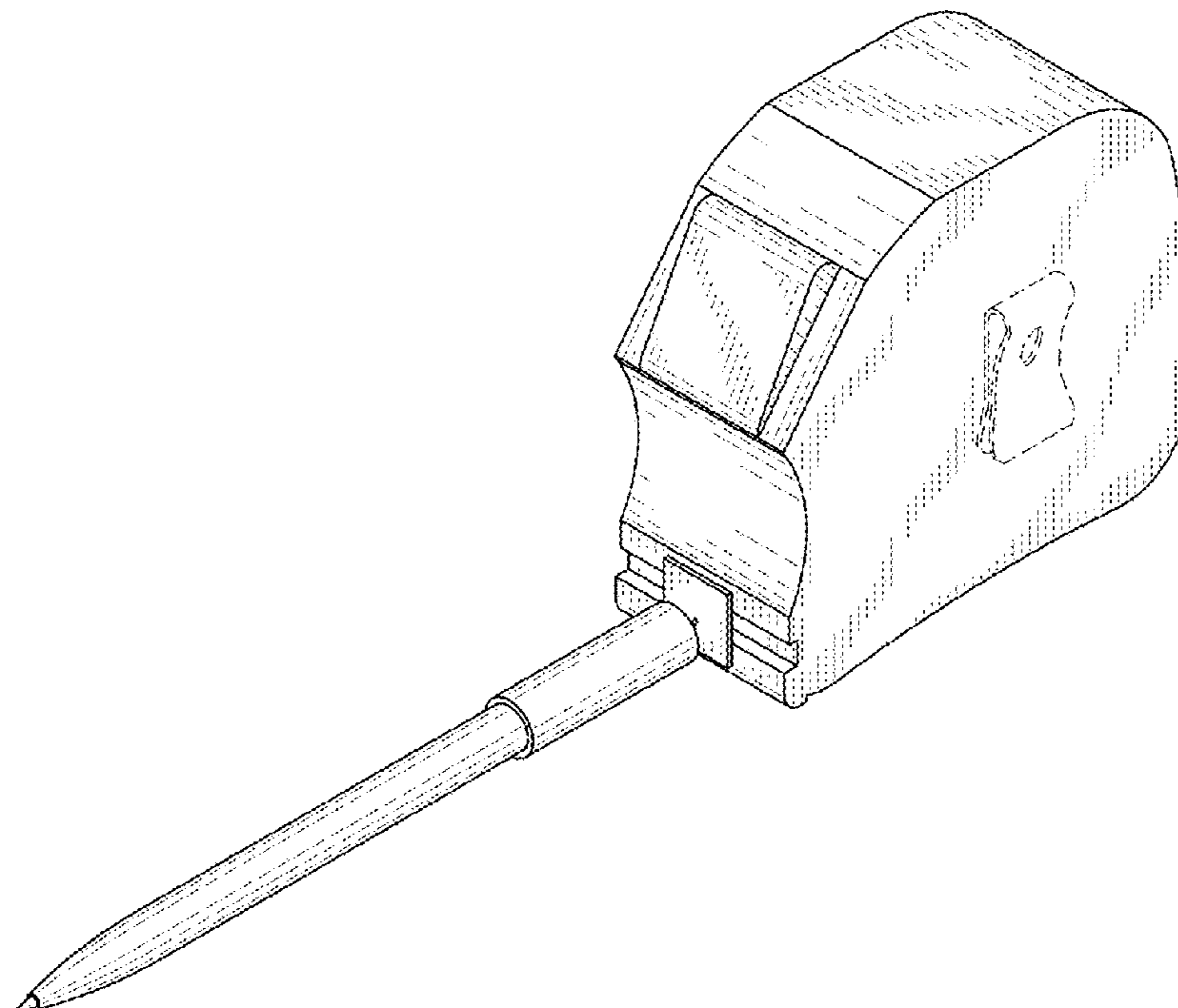




FIG. 1

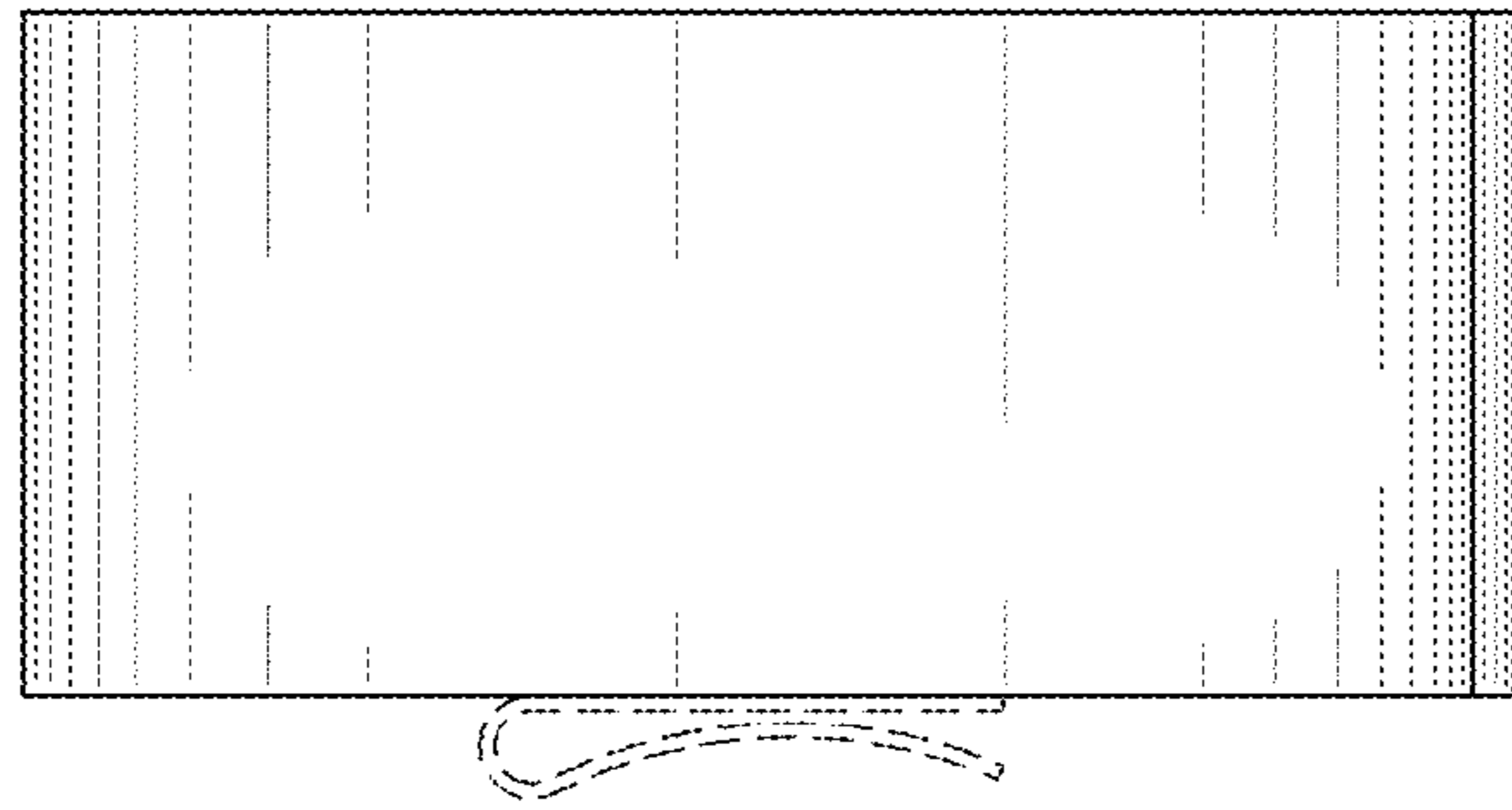


FIG. 3

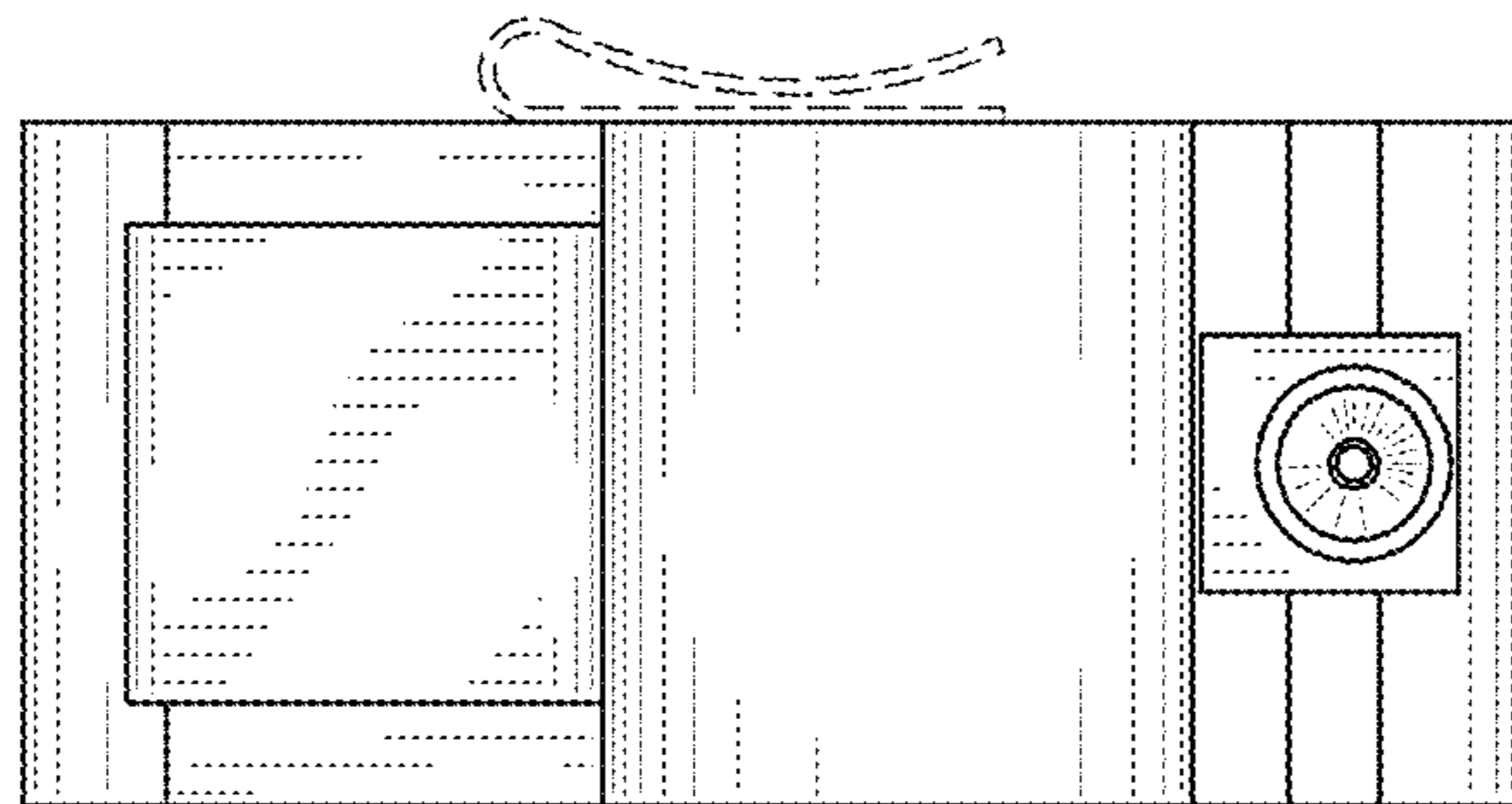


FIG. 2

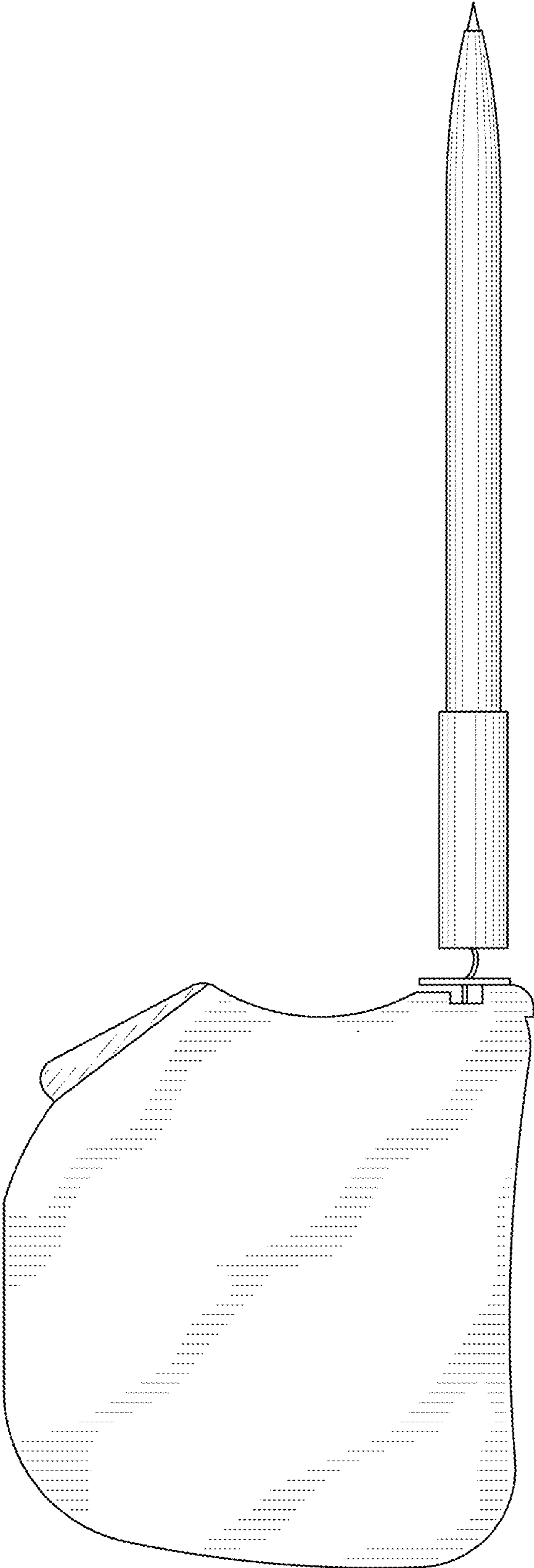


FIG. 4

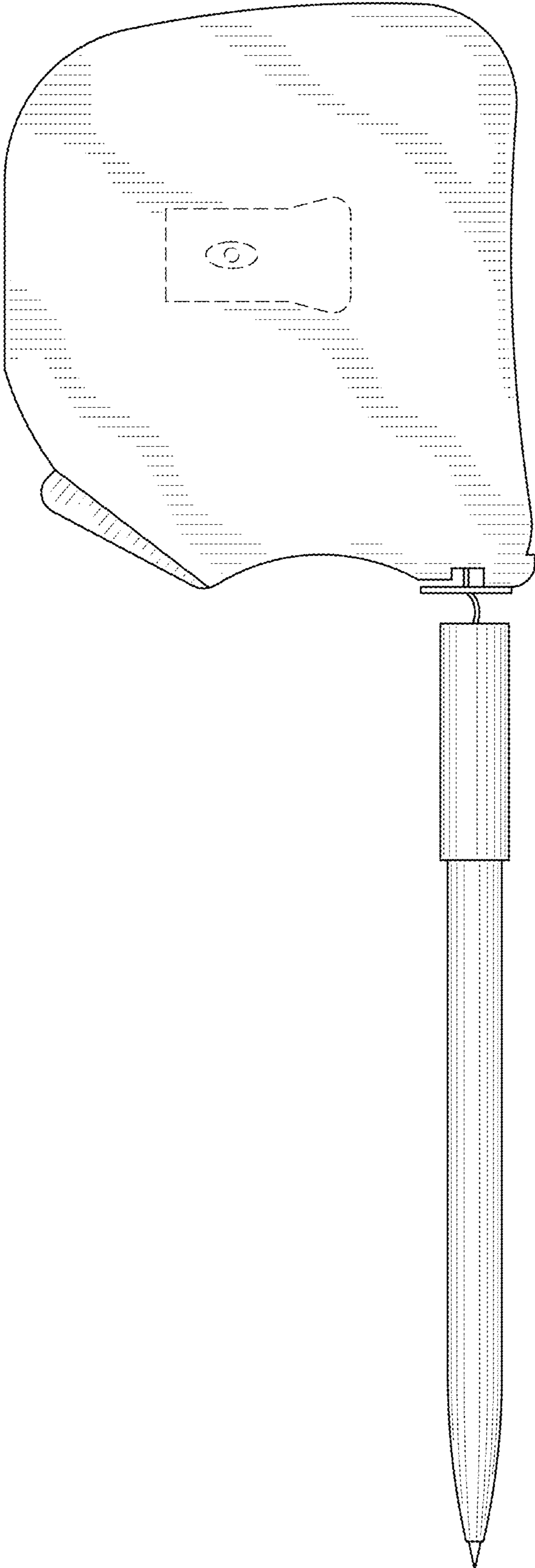


FIG. 5

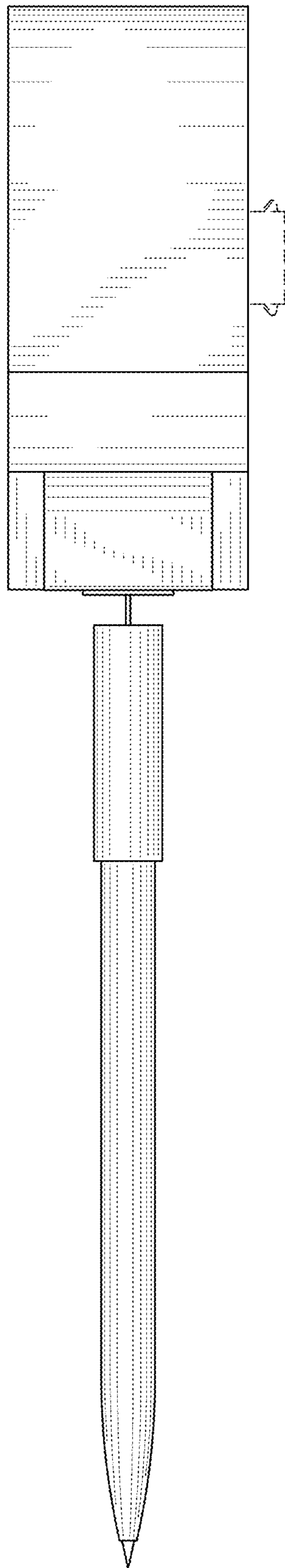


FIG. 6

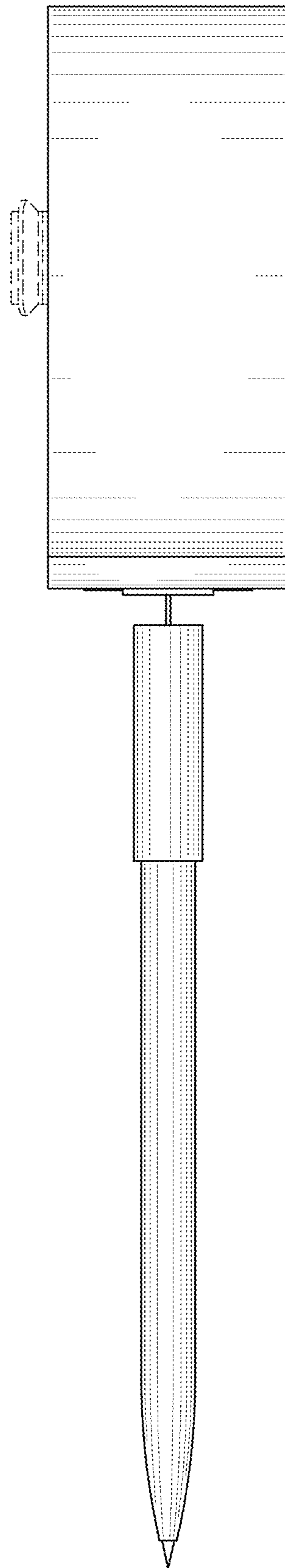


FIG. 7