



US00D812499S

(12) **United States Design Patent**  
**Kuh et al.**

(10) **Patent No.:** **US D812,499 S**  
(45) **Date of Patent:** **\*\* Mar. 13, 2018**

(54) **PET MONITORING DEVICE**

(71) Applicant: **PetPomm, Inc.**, Punta Gorda, FL (US)

(72) Inventors: **Christopher Kuh**, San Francisco, CA (US); **Sang Ik Lee**, San Francisco, CA (US); **Alexander James Andreae**, Punta Gorda, FL (US); **Sebastian Milton Nonis**, El Dorado Hills, CA (US); **Megan Madalynne Rice**, Punta Gorda, FL (US); **Anthony C. Dubbanh**, Punta Gorda, FL (US)

(73) Assignee: **PetPomm, Inc.**, Punta Gorda, FL (US)

(\*\*) Term: **15 Years**

(21) Appl. No.: **29/578,035**

(22) Filed: **Sep. 17, 2016**

(51) **LOC (11) Cl.** ..... **10-04**

(52) **U.S. Cl.**  
USPC ..... **D10/70; D30/152**

(58) **Field of Classification Search**  
USPC ..... D10/70, 74, 80; D30/152  
CPC .. A01K 11/006; A01K 11/007; A01K 11/008;  
A01K 15/00; A01K 15/02; A01K 15/021;  
A01K 15/022; A01K 15/023; A01K  
15/04; A01K 27/009; A01K 29/005;  
A01K 29/009

See application file for complete search history.

(56) **References Cited**

**U.S. PATENT DOCUMENTS**

D570,237 S \* 6/2008 Goetzl ..... D30/152  
D635,174 S \* 3/2011 Stewart ..... D30/152  
D640,151 S \* 6/2011 Hill ..... D10/65

(Continued)

*Primary Examiner* — Antoine Duval Davis

(74) *Attorney, Agent, or Firm* — Aurora Consulting LLC;  
Ashley Sloat

(57) **CLAIM**

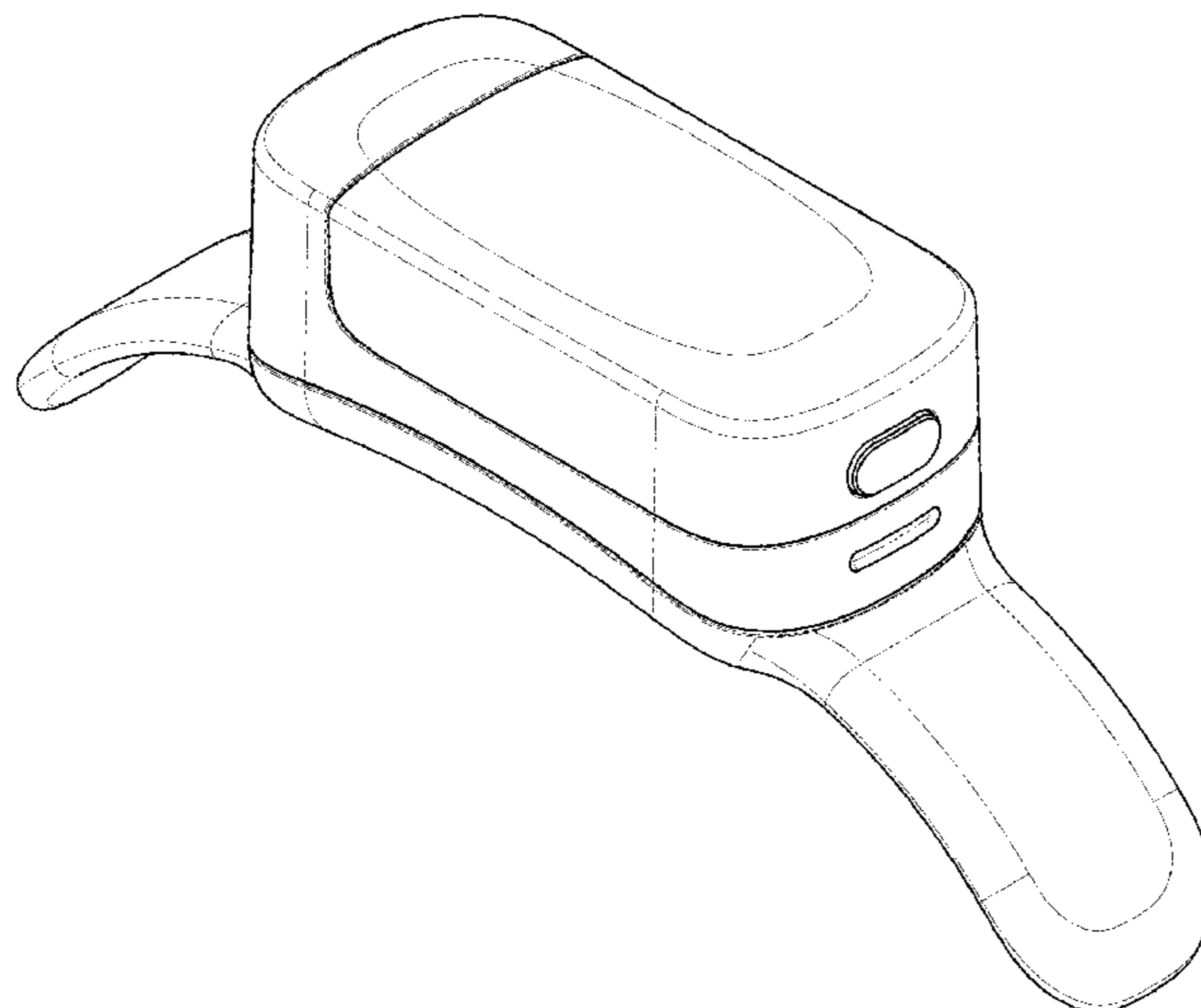
The ornamental design for a pet monitoring device, as shown and described.

**DESCRIPTION**

FIG. 1 is a perspective view of a pet monitoring device, including a first component and a second component, in accordance with the present design; FIG. 2 is a right side view thereof; FIG. 3 is a left side view thereof; FIG. 4 is a top view thereof; FIG. 5 is a bottom view thereof; FIG. 6 is a front view thereof; FIG. 7 is a rear view thereof; FIG. 8 is a perspective view of the first component of the pet monitoring device, in accordance with the present design; FIG. 9 is another perspective view thereof; FIG. 10 is a right side view thereof; FIG. 11 is a left side view thereof; FIG. 12 is a top view thereof; FIG. 13 is a bottom view thereof; FIG. 14 is a front view thereof; FIG. 15 is a rear view thereof; FIG. 16 is a perspective view of the second component of the pet monitoring device, in accordance with the present design; FIG. 17 is another perspective view thereof; FIG. 18 is a right side view thereof; FIG. 19 is a left side view thereof; FIG. 20 is a top view thereof; FIG. 21 is a bottom view thereof; FIG. 22 is a front view thereof; and, FIG. 23 is a rear view thereof.

The broken lines shown herein are for illustrative purposes and form no part of the claimed design. The lines provided herein with relatively light line weights denote contour lines, and the lines provided herein with heavier line weights denote edges.

**1 Claim, 20 Drawing Sheets**



(56)

**References Cited**

U.S. PATENT DOCUMENTS

D670,583 S \* 11/2012 Shaanan ..... D10/70  
D673,334 S \* 12/2012 Guo ..... D30/152  
8,955,461 B2 \* 2/2015 Lloyd ..... A01K 15/021  
119/719  
D752,457 S \* 3/2016 So ..... D10/70  
9,467,968 B2 \* 10/2016 Ickovic ..... H04L 31/385  
9,648,853 B2 \* 5/2017 Ecker ..... A01K 15/021  
D788,999 S \* 6/2017 Zinn ..... D30/152  
9,675,046 B2 \* 6/2017 Steinfort ..... A01K 11/004  
9,756,833 B2 \* 9/2017 So ..... A01K 15/021

\* cited by examiner

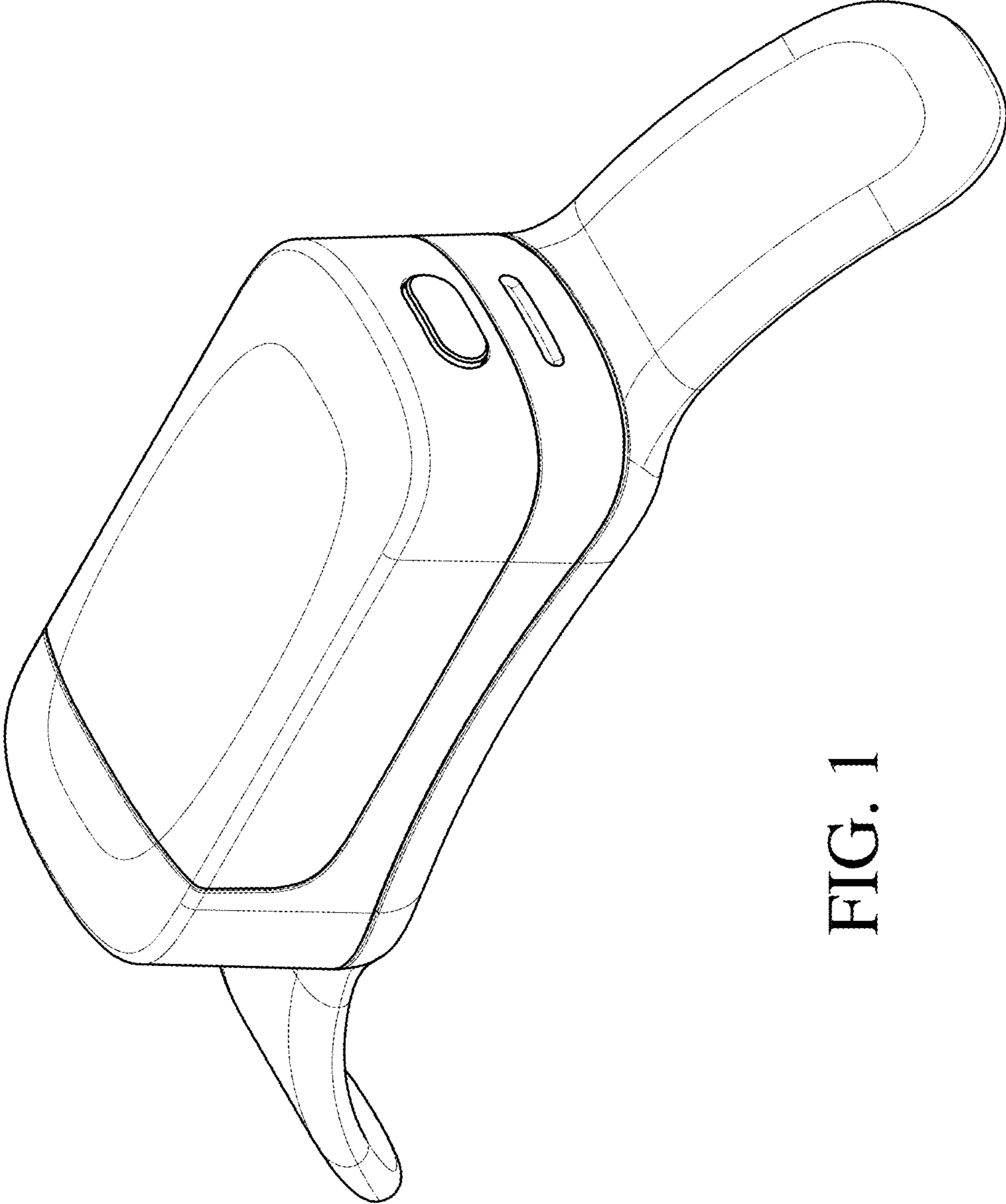


FIG. 1

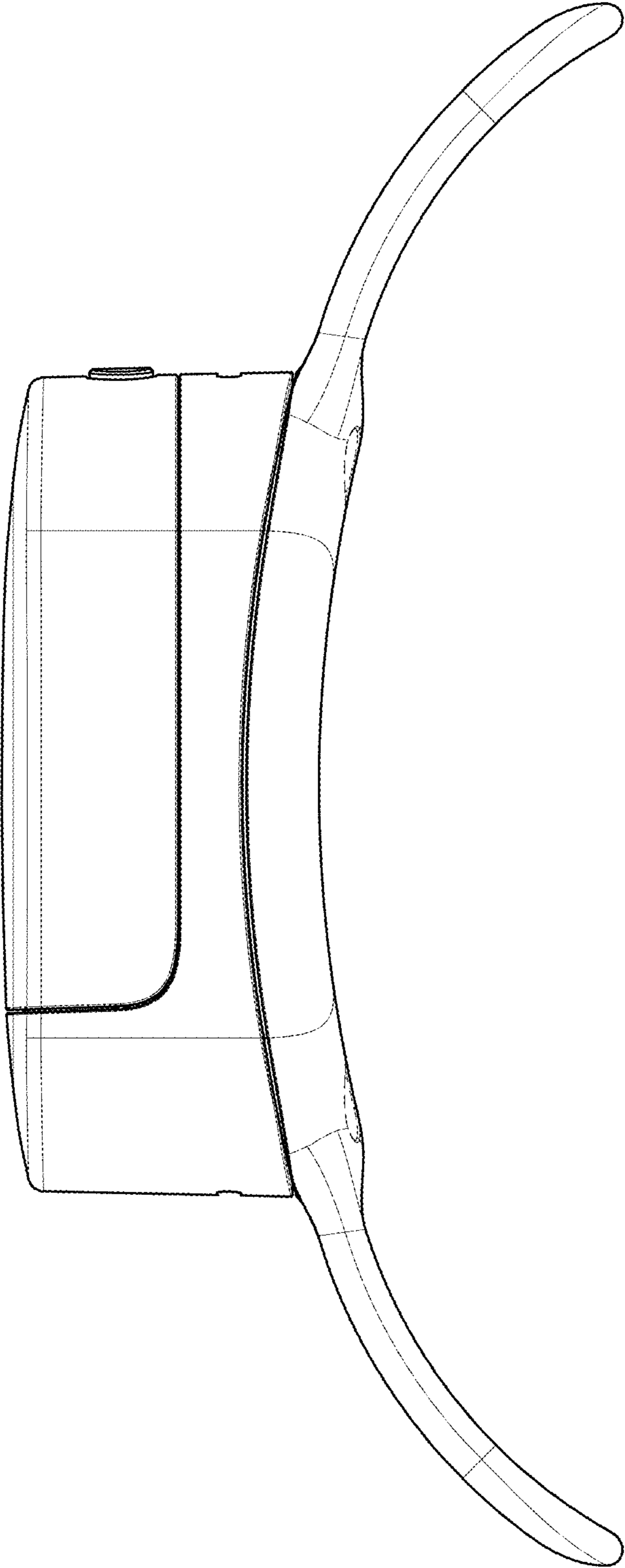


FIG. 2

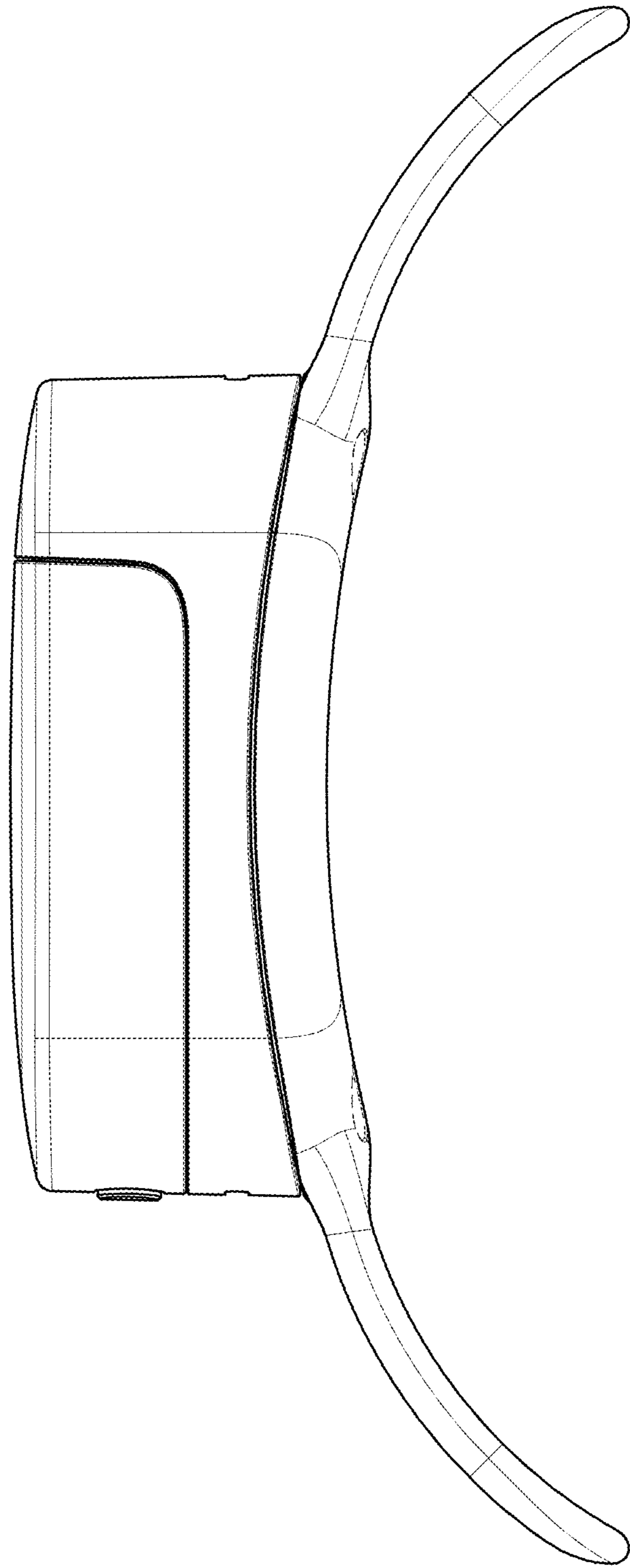


FIG. 3

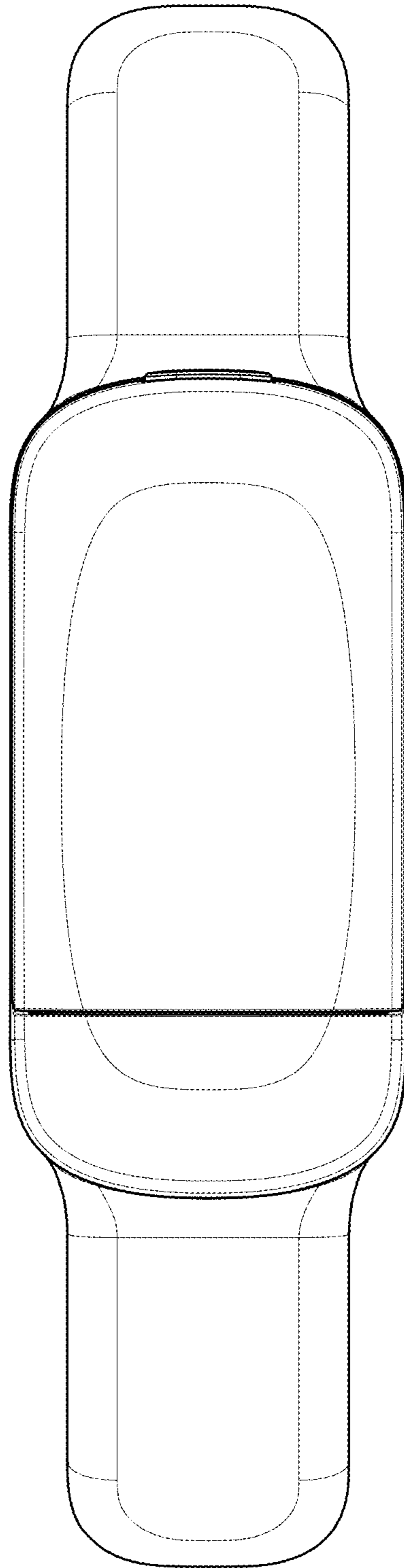


FIG. 4

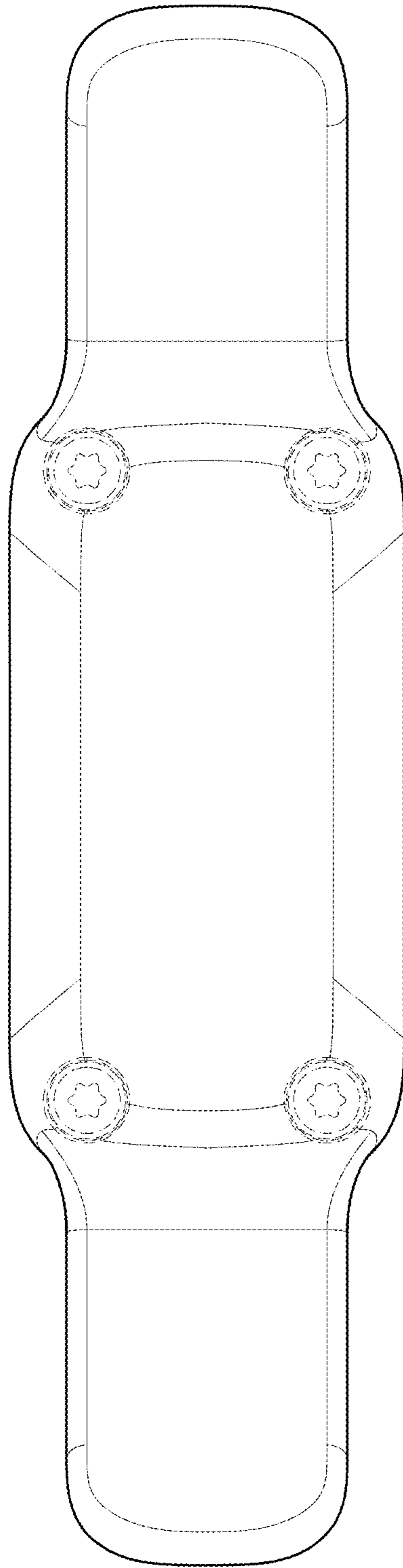


FIG. 5

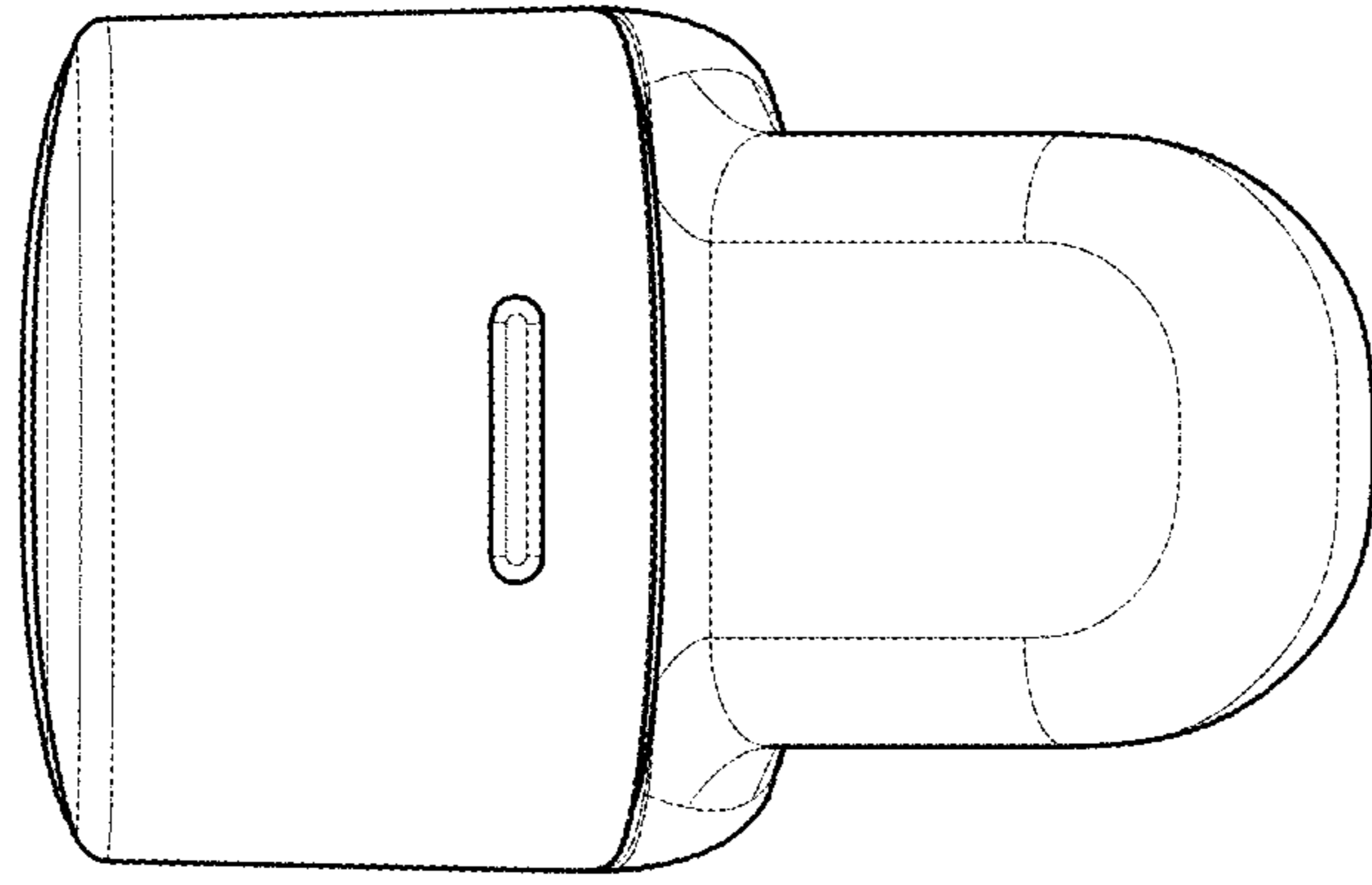


FIG. 7

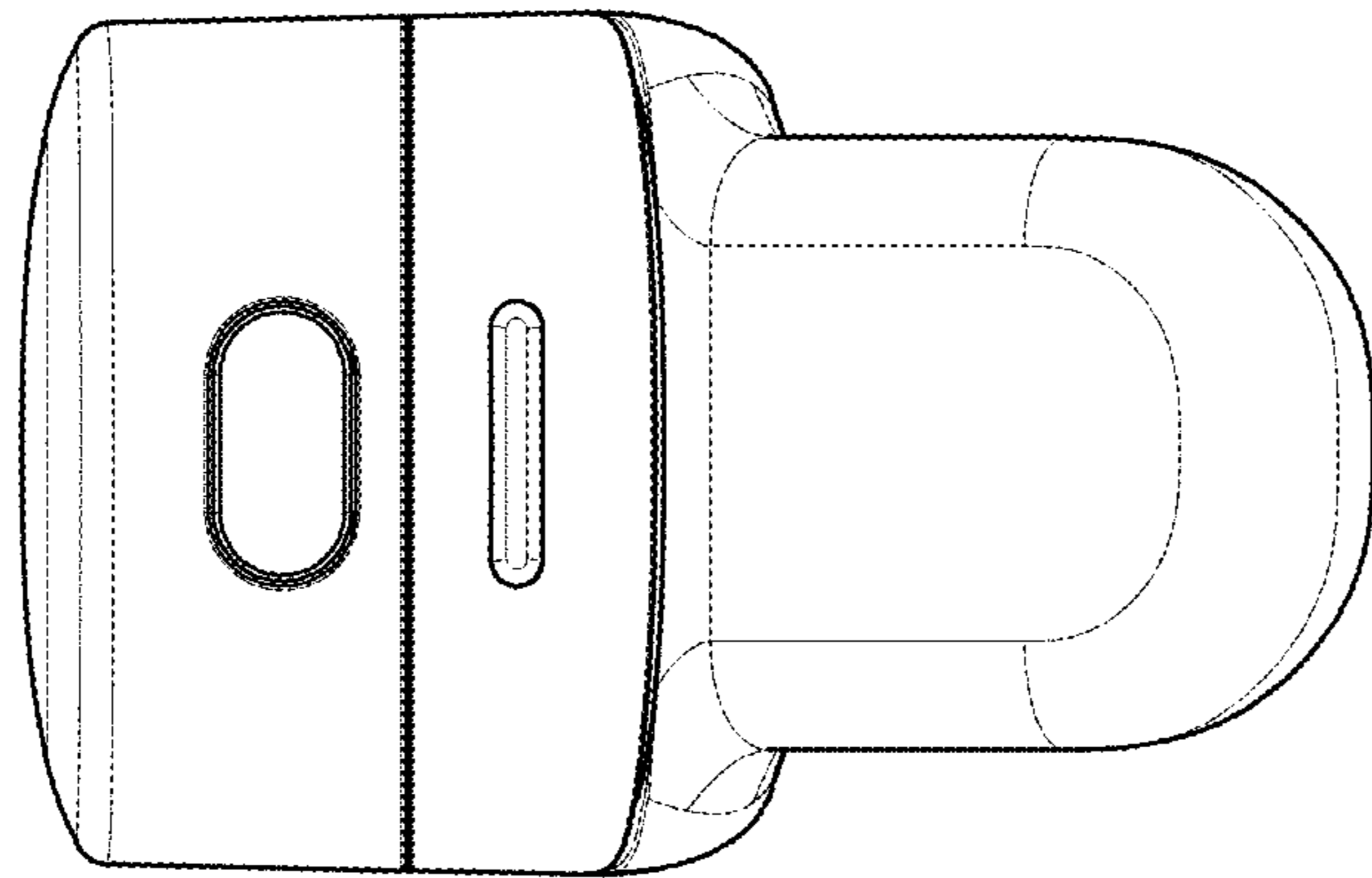


FIG. 6



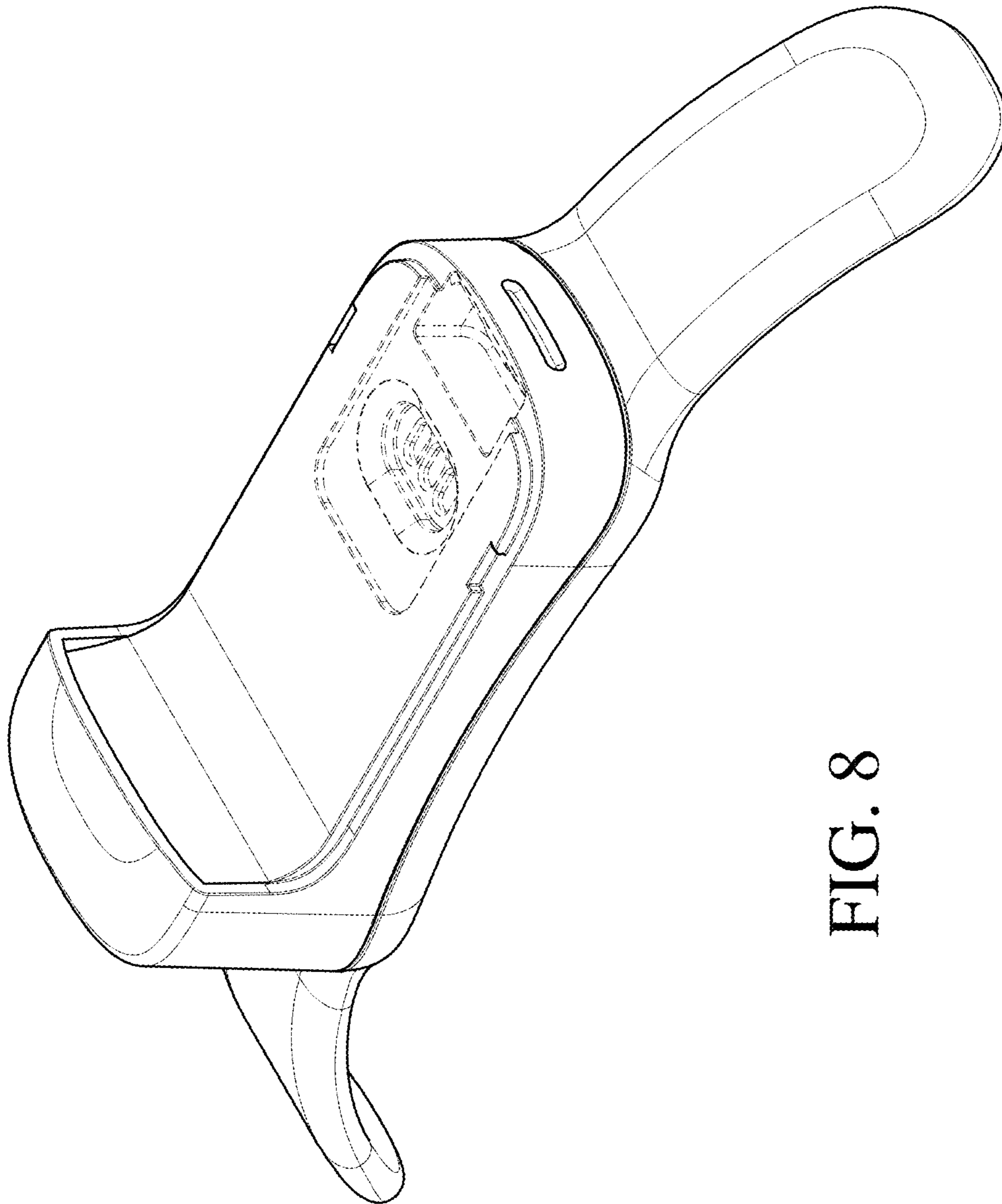


FIG. 8

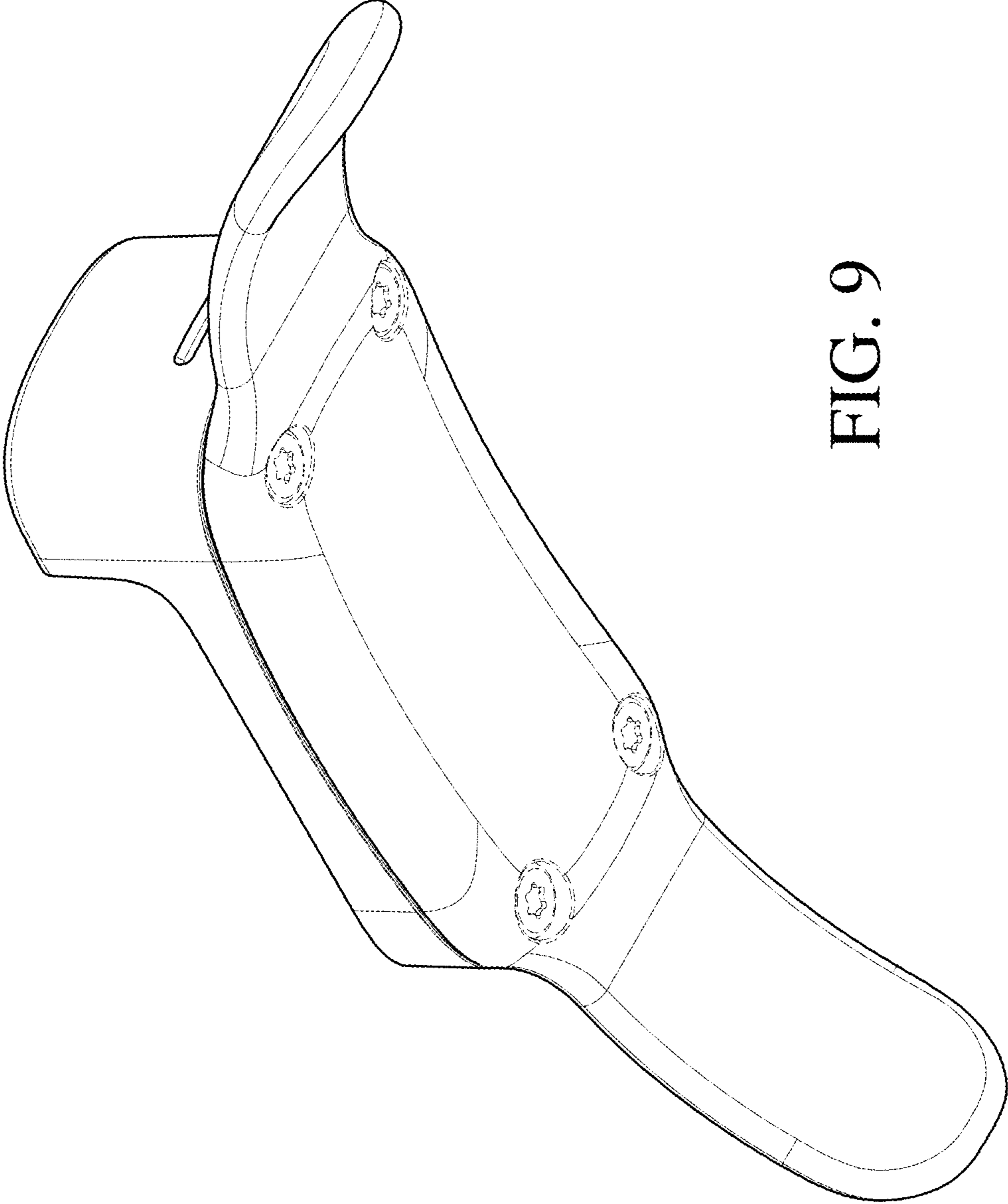


FIG. 9

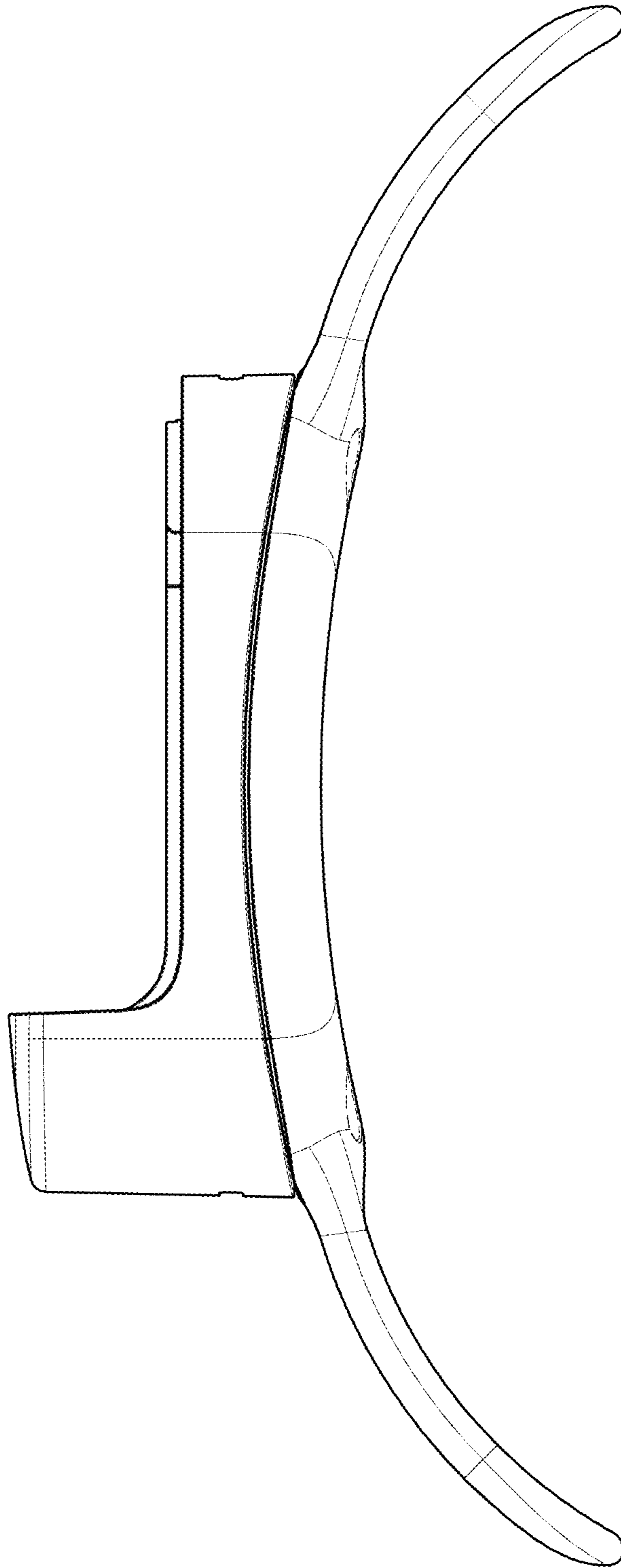


FIG. 10

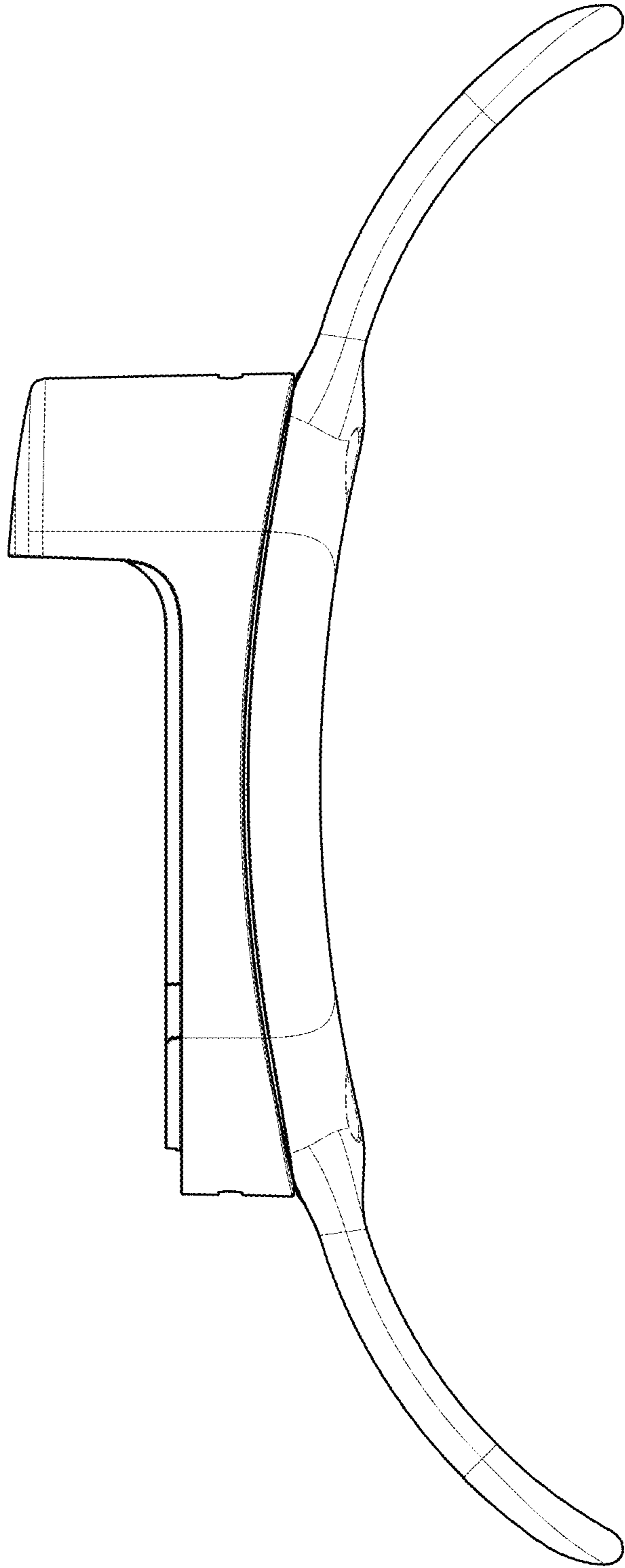


FIG. 11

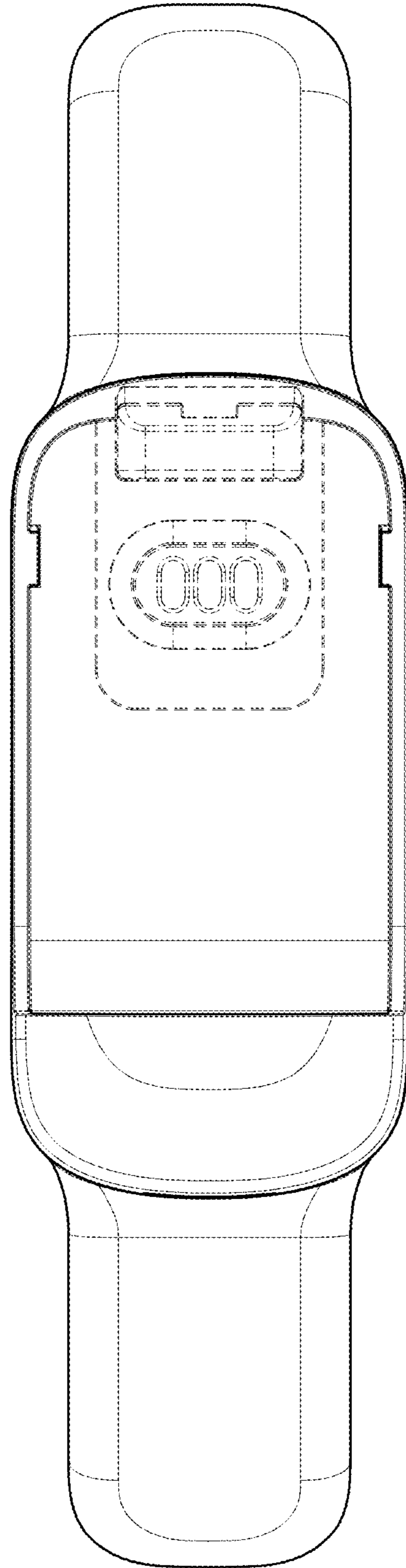


FIG. 12

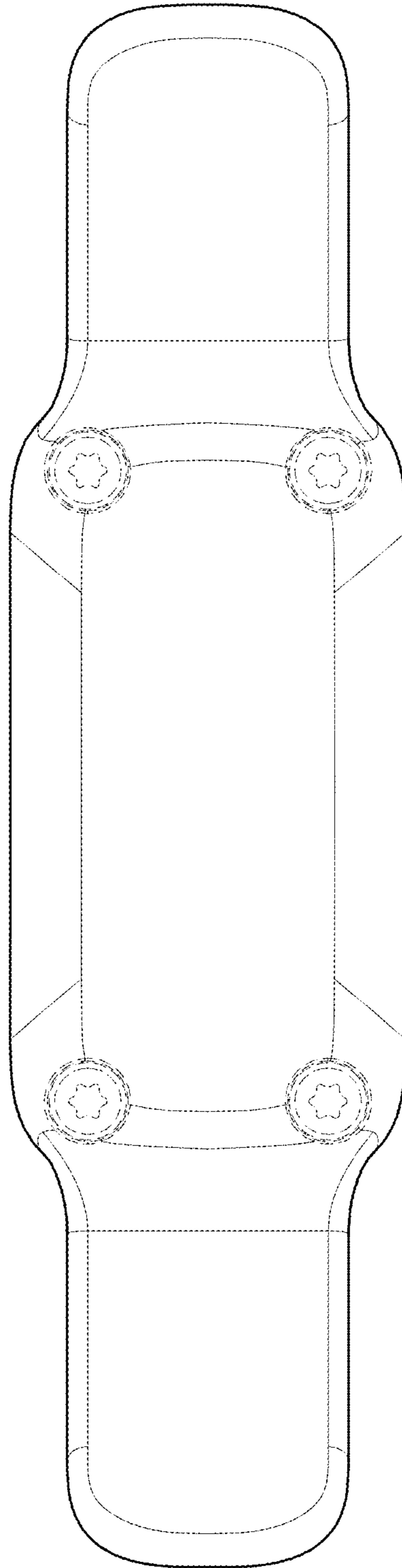


FIG. 13

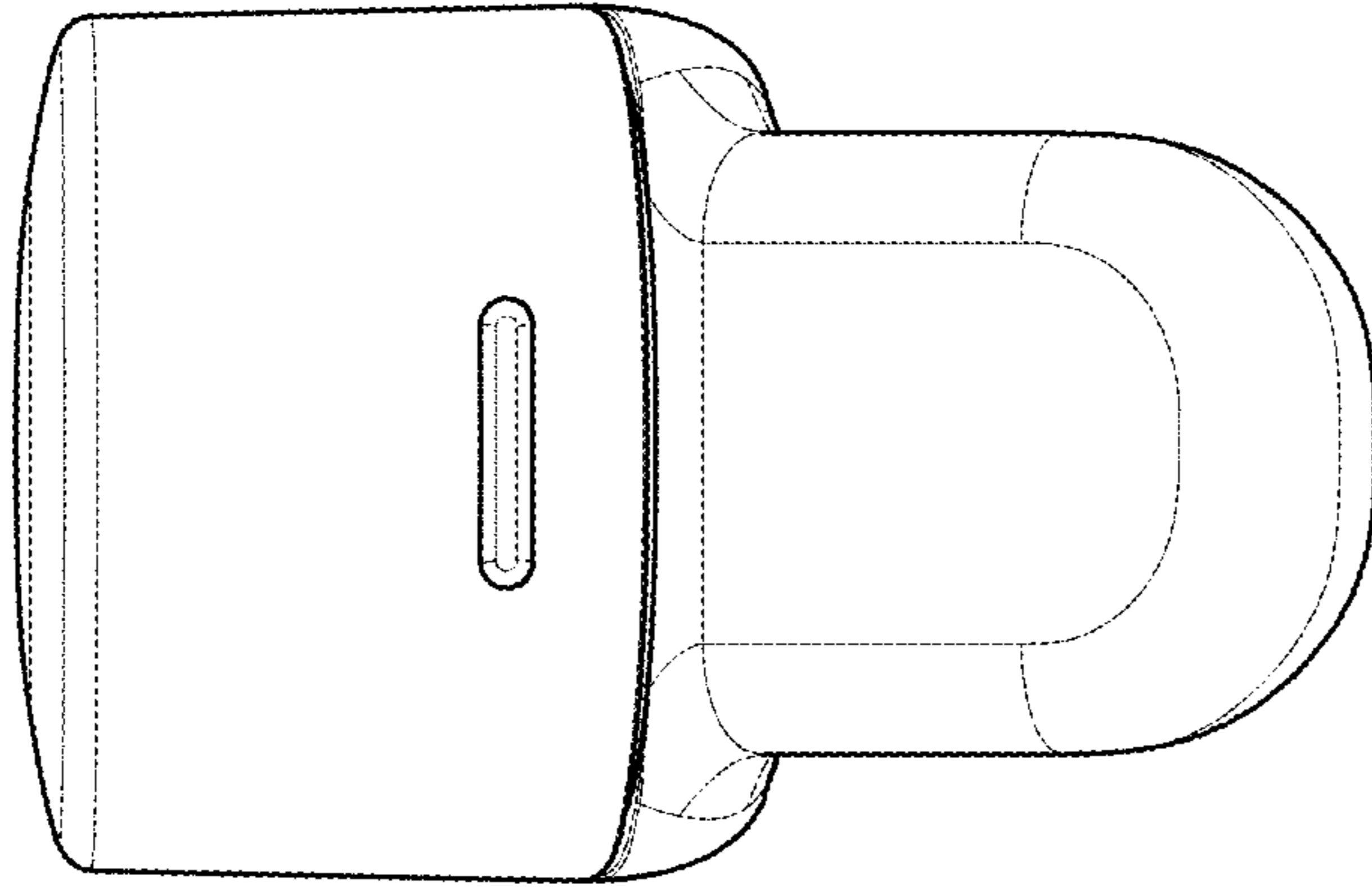


FIG. 14

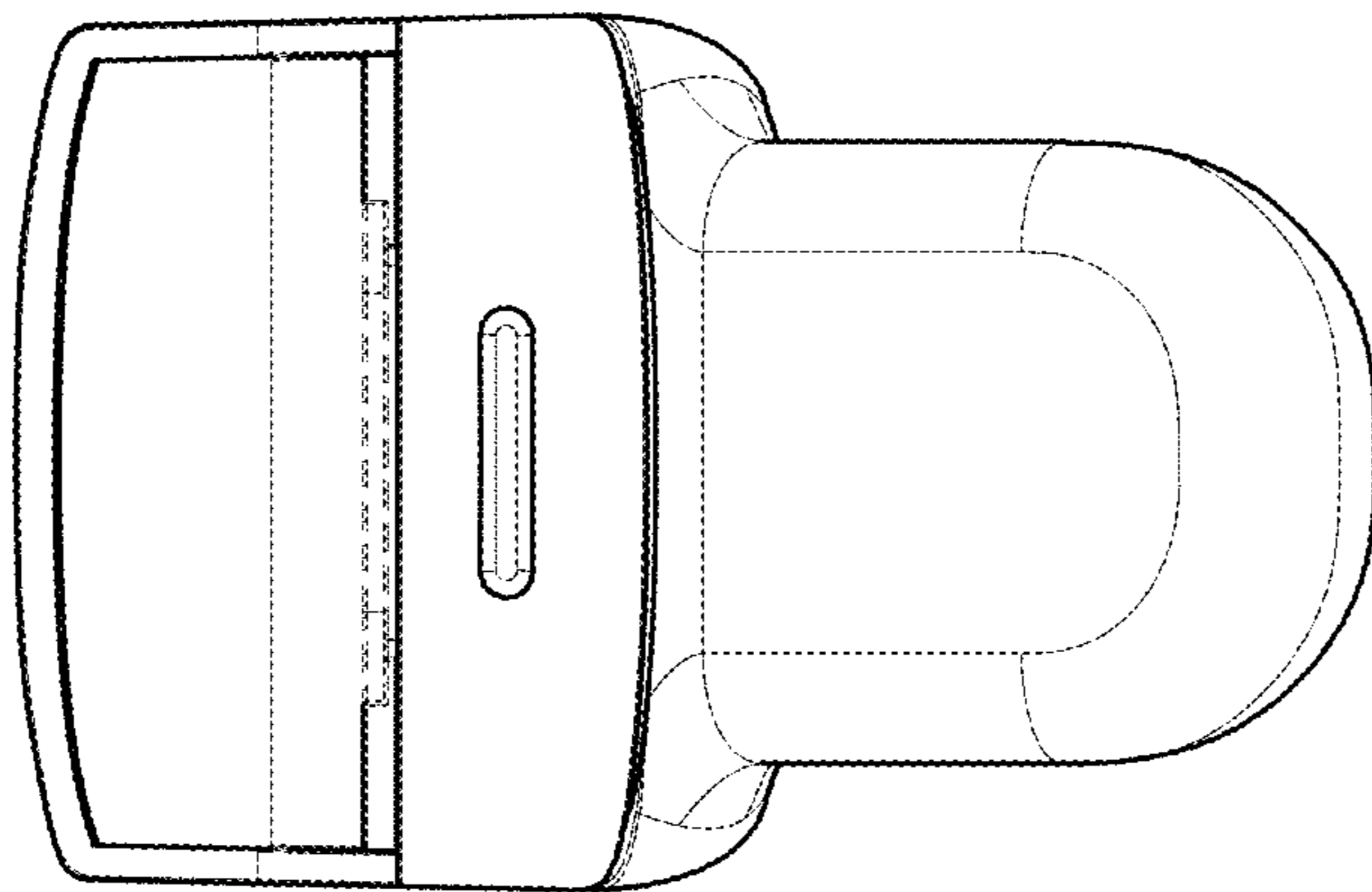


FIG. 15

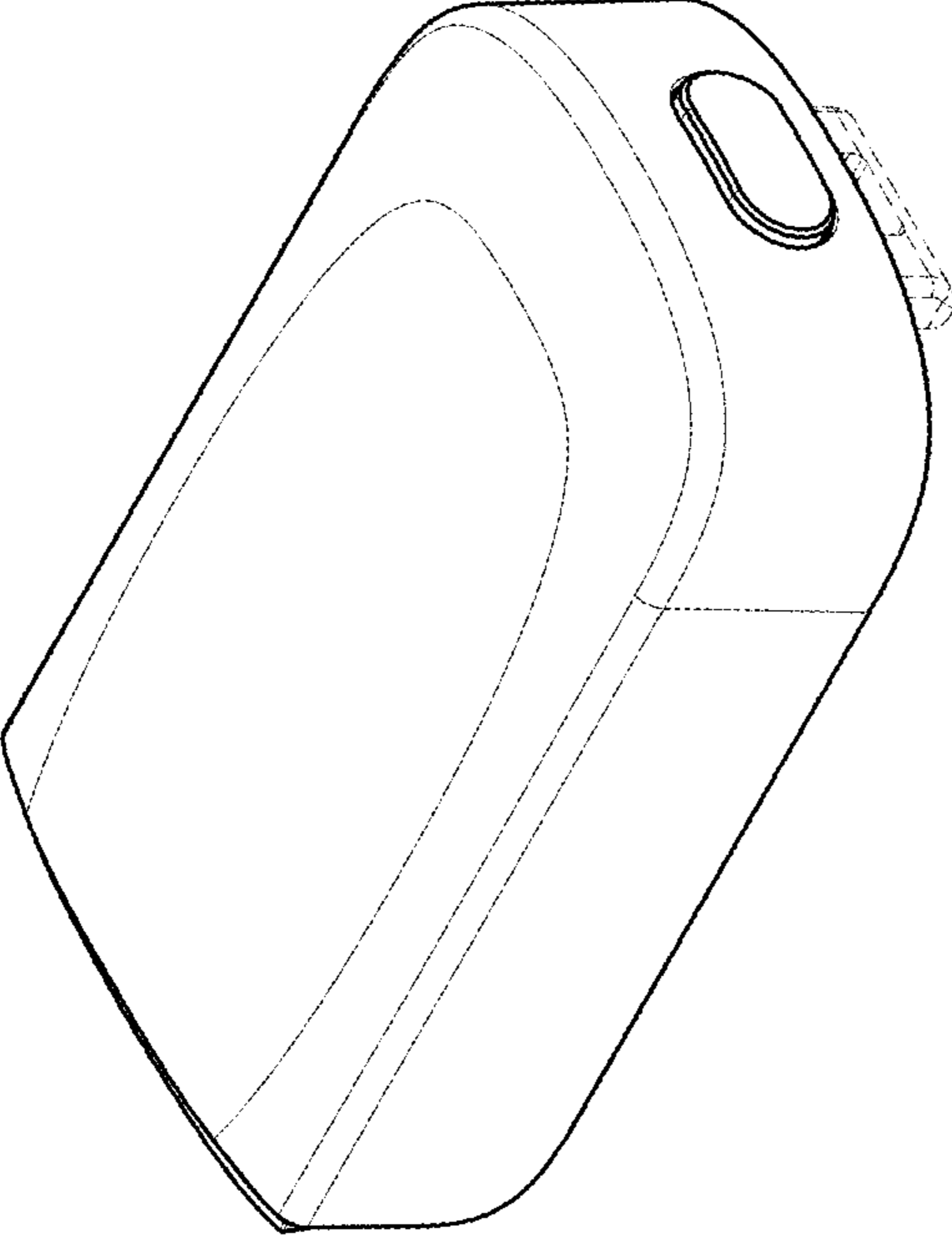


FIG. 16



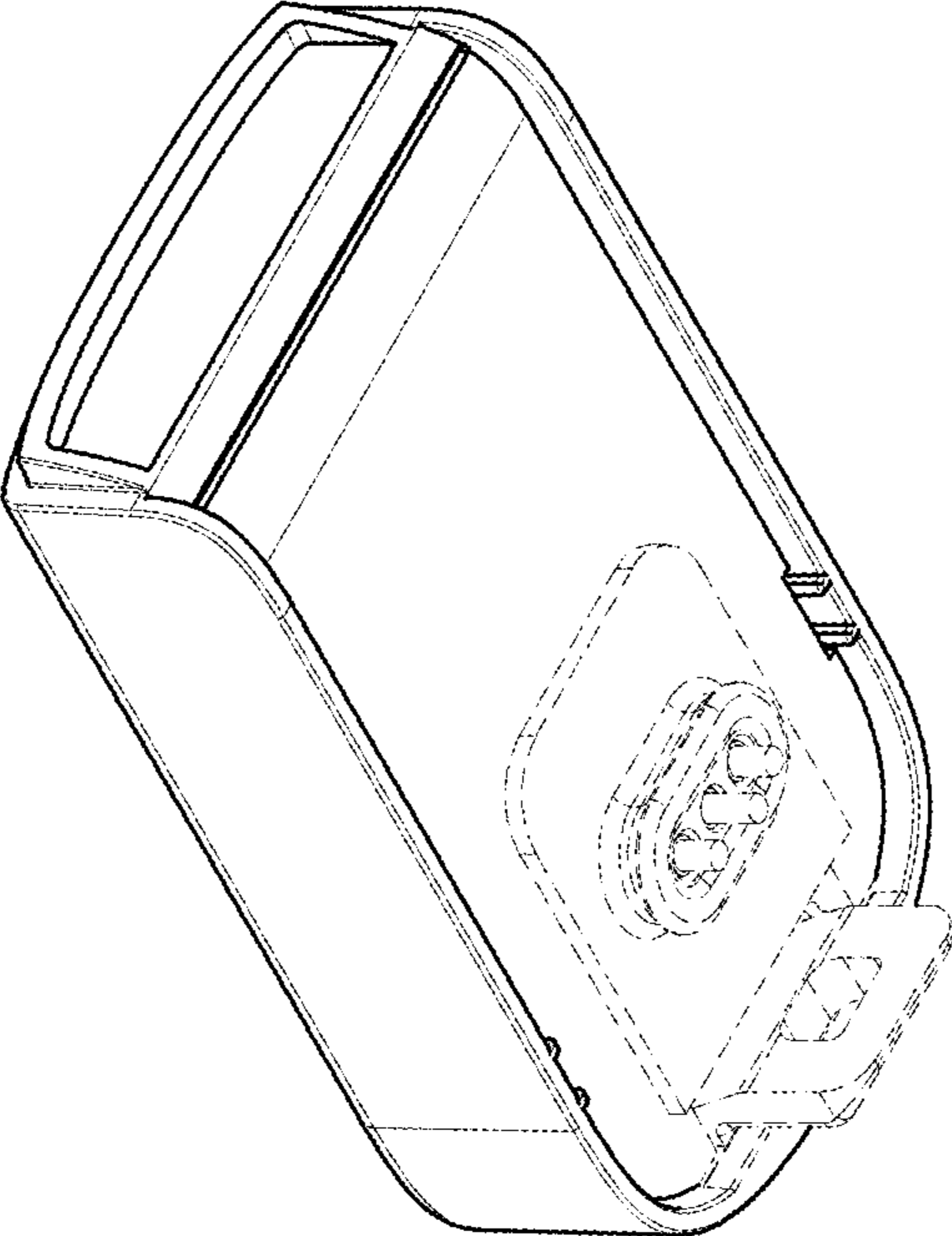


FIG. 17

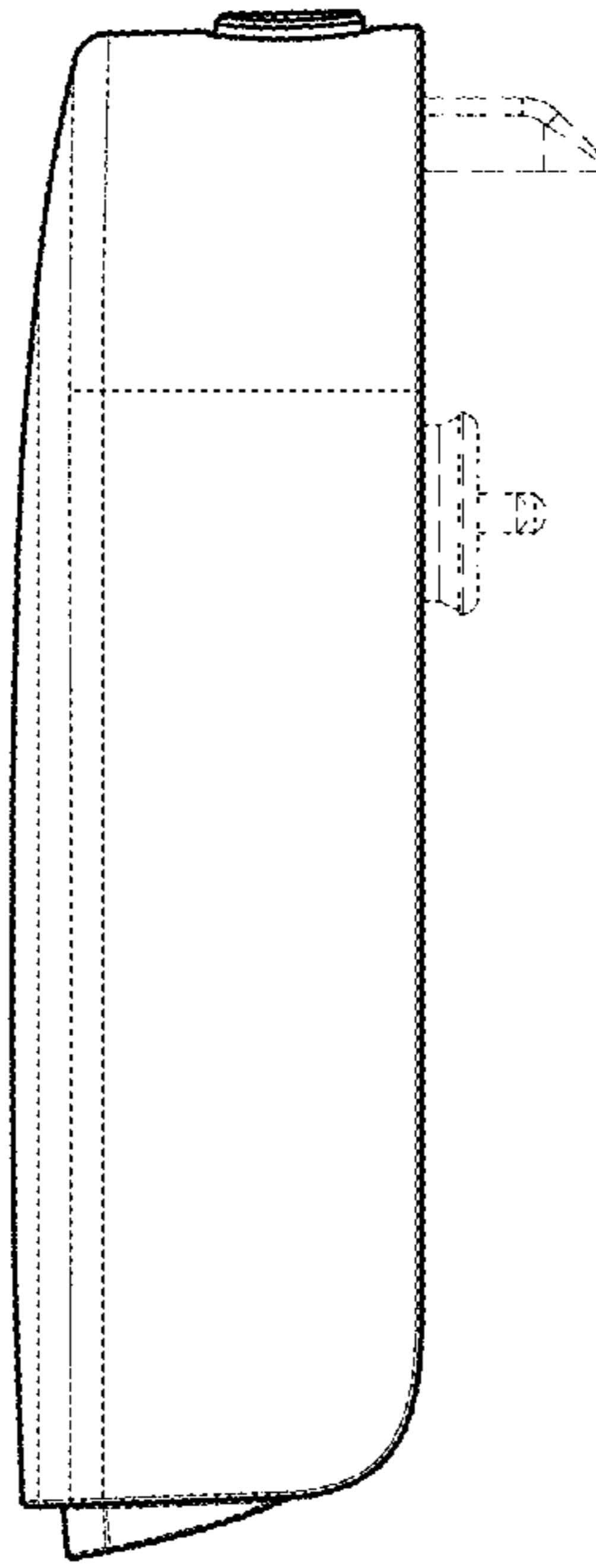


FIG. 18

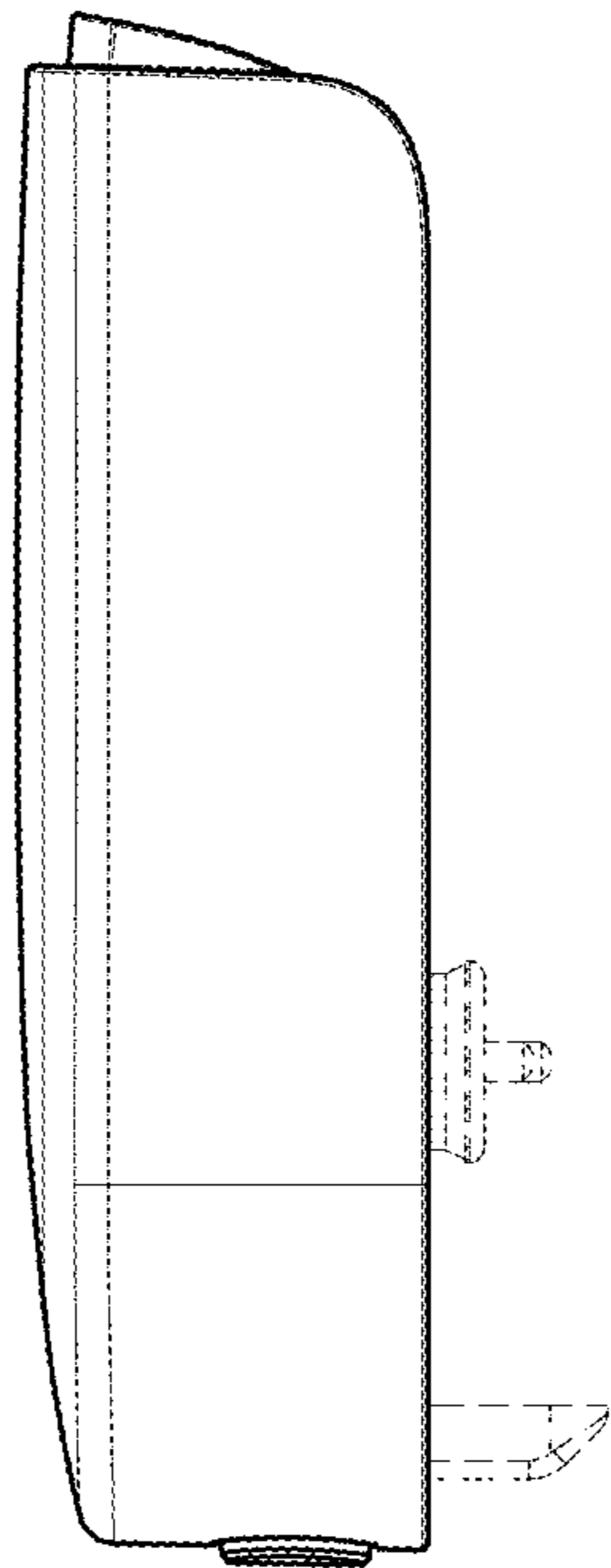


FIG. 19

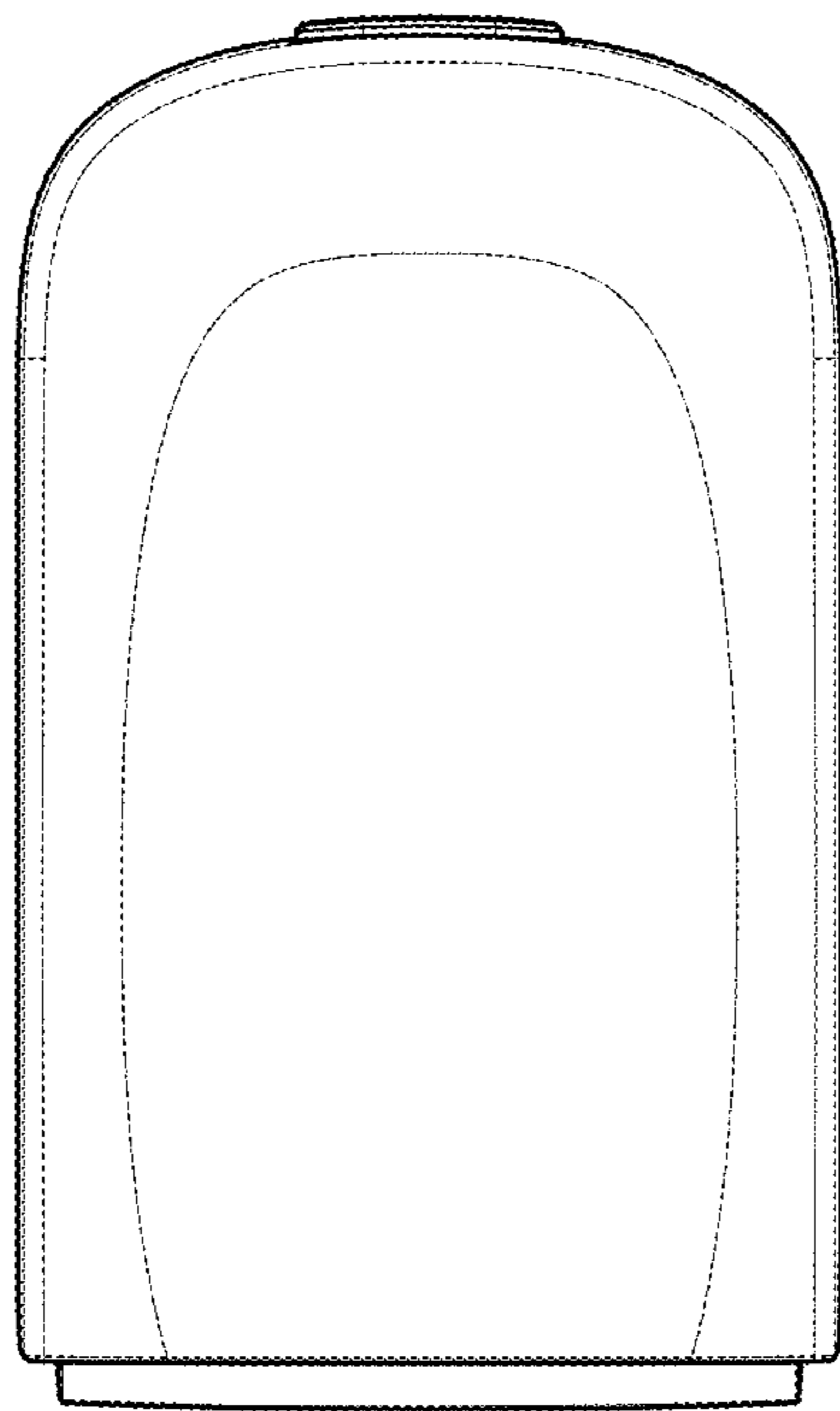


FIG. 20

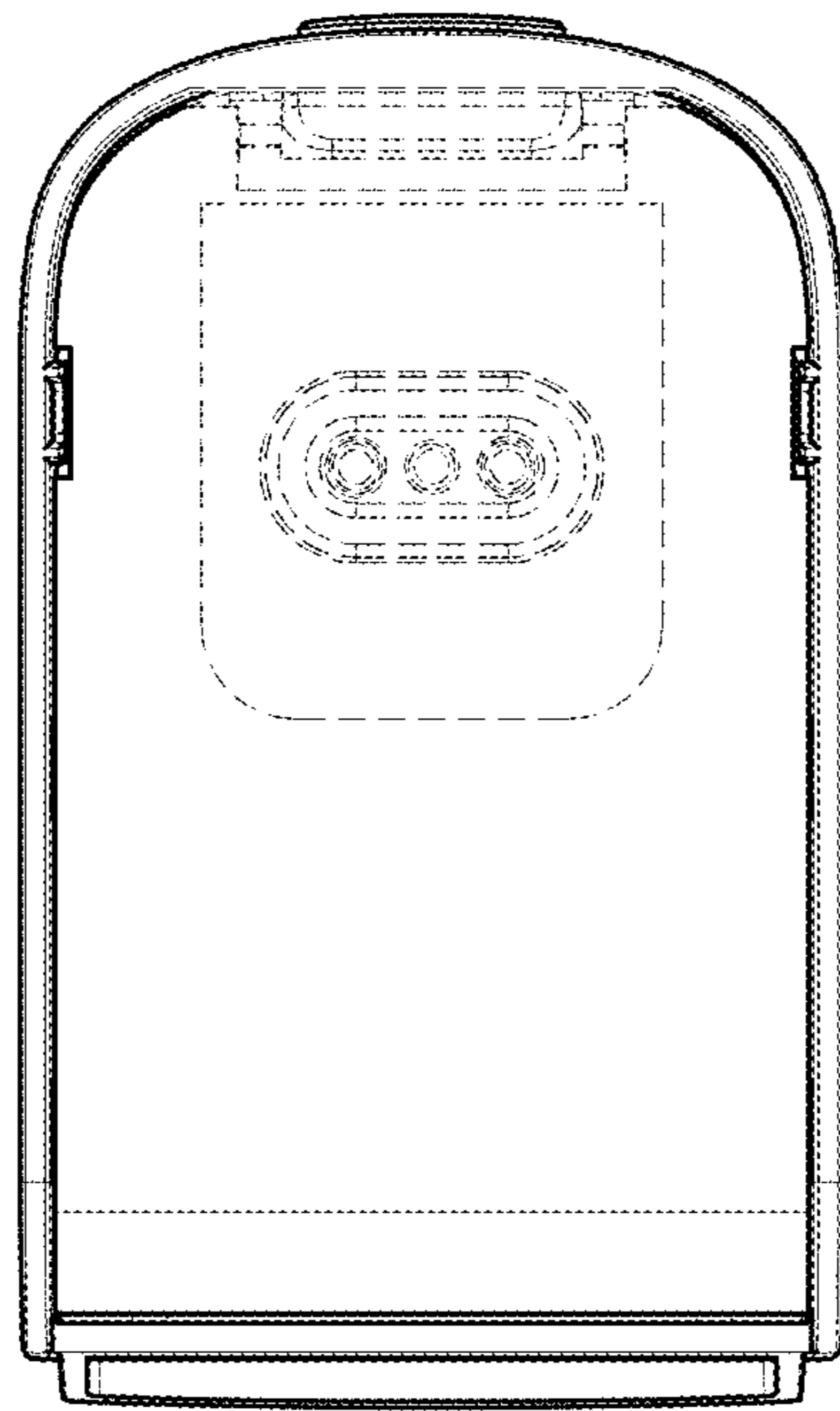


FIG. 21

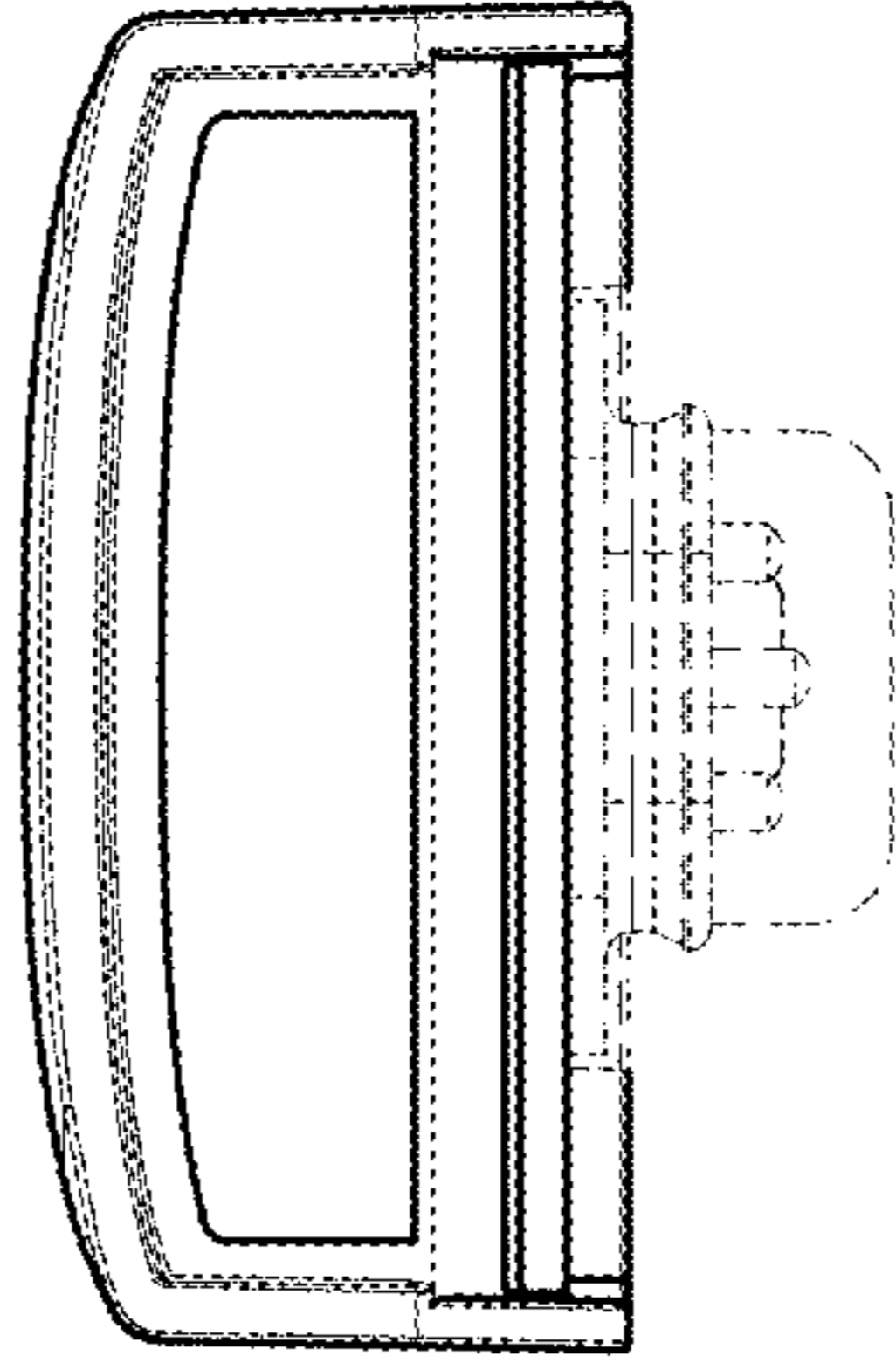


FIG. 23

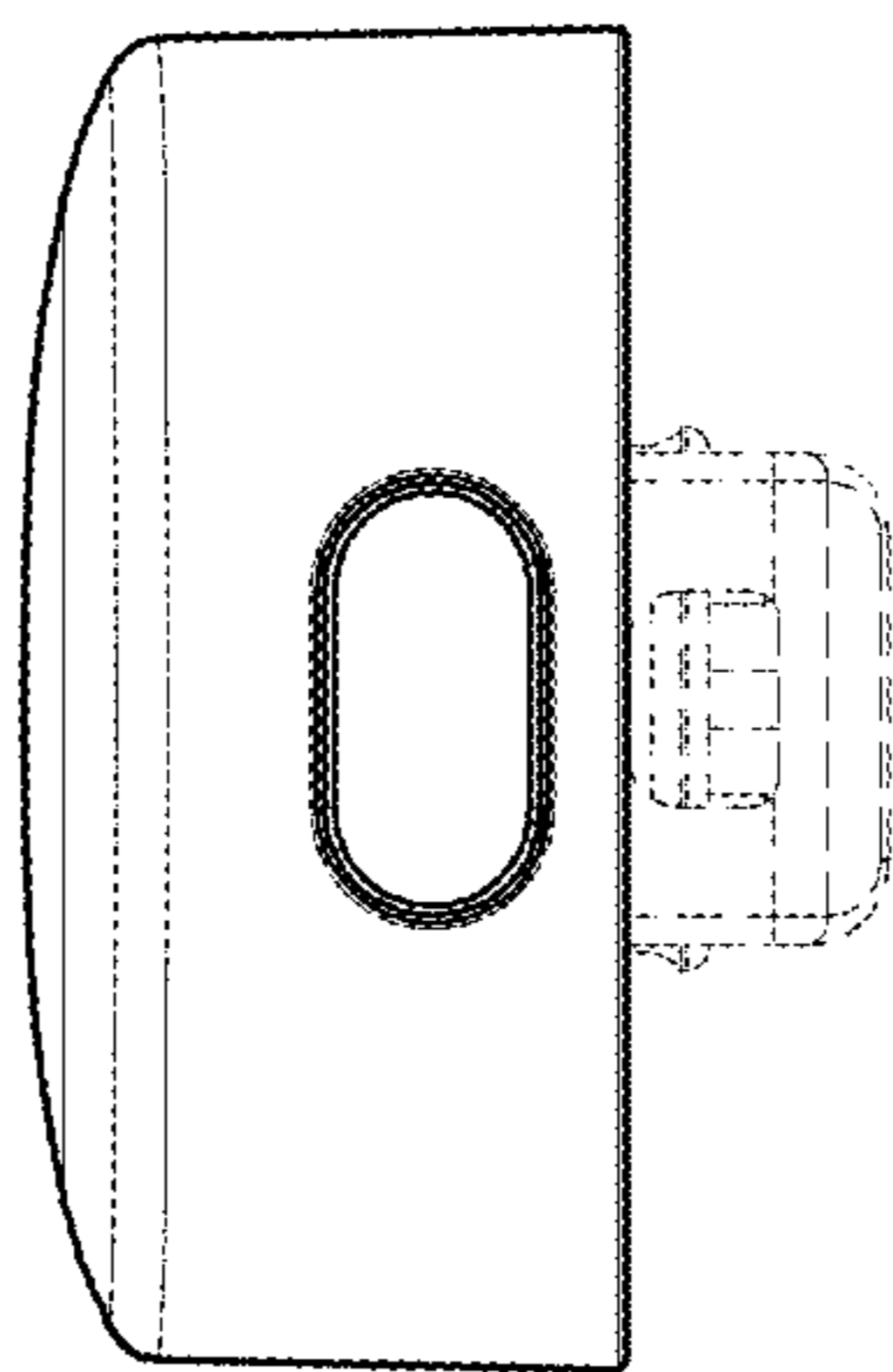


FIG. 22