



US00D812498S

(12) **United States Design Patent** (10) **Patent No.:** **US D812,498 S**
Lacroix-Gachet (45) **Date of Patent:** **** Mar. 13, 2018**

(54) **WATCHCASE WITH BRACELET**
 (71) Applicant: **RADO WATCH CO. LTD.**, Lengnau (CH)
 (72) Inventor: **Stéphane Lacroix-Gachet**, Genève (CH)
 (73) Assignee: **Rado Watch Co. LTD.**, Lengnau (CH)
 (**) Term: **15 Years**
 (21) Appl. No.: **29/571,857**
 (22) Filed: **Jul. 22, 2016**
 (30) **Foreign Application Priority Data**

Jan. 22, 2016 (WO) DM/089 088
 (51) **LOC (11) Cl.** **10-02**
 (52) **U.S. Cl.**
 USPC **D10/32**
 (58) **Field of Classification Search**
 USPC D10/22, 30–32, 37–39, 65, 70, 98, 103,
 D10/122–124, 126–128, 131; D14/344
 CPC A44C 5/16; A44C 5/22; A44C 5/24; A44C
 5/243; A44C 5/246; A44C 5/10; A44C
 5/102; A44C 5/105; A44C 5/107; A44C
 5/02; A44C 5/027; A44C 5/00; A44C
 5/0053; A44C 5/0076; A44C 5/0069;
 G04B 19/06; G04B 19/08; G04B 19/085;
 G04B 19/103; G04B 19/12; G04B 19/18;
 G04B 19/22; G04B 19/223; G04B 19/24;
 G04B 19/26; G04B 19/283; G04B 19/30;
 G04B 19/00; G04B 19/025; G04B 19/04;
 G04B 3/046; G04B 3/048; G04B 37/106;
 G04B 3/001; G04B 37/1486; G04F 7/08;
 G04F 7/0804; G04F 7/0842; G04F
 7/0852; G04F 7/0857; G04F 7/0861;
 G04F 7/0871; G04F 7/0876

See application file for complete search history.

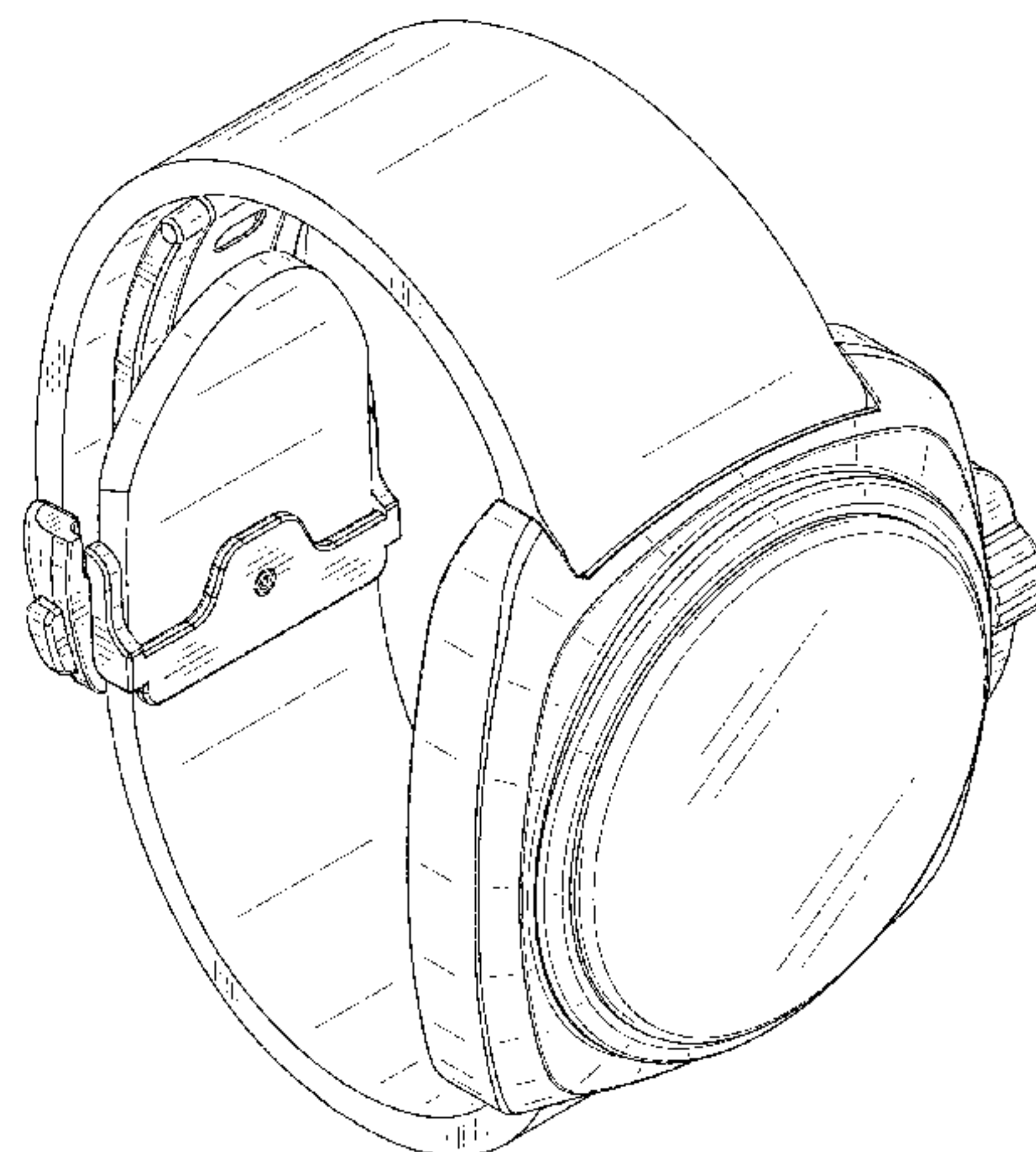
(56) **References Cited**
 U.S. PATENT DOCUMENTS
 D391,174 S * 2/1998 Modolo D10/128
 D415,043 S * 10/1999 Fichter D10/126
 D547,206 S * 7/2007 Dewitt D10/31
 D555,519 S * 11/2007 Borraccino D10/39
 D624,834 S * 10/2010 Modolo D10/39
 D656,044 S * 3/2012 Favre D10/38
 D684,485 S * 6/2013 Padron D10/39
 D694,656 S * 12/2013 Inoue D10/38
 D697,823 S * 1/2014 Mijatovic D10/32
 D698,268 S * 1/2014 Mijatovic D10/32
 D705,670 S * 5/2014 Emmenegger D10/32
 D705,671 S * 5/2014 Mijatovic D10/32
 D717,669 S * 11/2014 Tak D10/38
 D720,239 S * 12/2014 Mijatovic D10/32
 D725,494 S * 3/2015 Buonamassa D10/124
 D735,586 S * 8/2015 Stegmann D10/30
 (Continued)

Primary Examiner — Sandra S Snapp
Assistant Examiner — Katherine Glennon
 (74) *Attorney, Agent, or Firm* — Blank Rome LLP

(57) **CLAIM**
 The ornamental design for a watchcase with bracelet, as shown.

DESCRIPTION
 FIG. 1 is a front left perspective view of a watchcase with bracelet showing my new design;
 FIG. 2 is a front right perspective view thereof;
 FIG. 3 is a rear left perspective view thereof;
 FIG. 4 is a rear right perspective view thereof;
 FIG. 5 is a front view thereof;
 FIG. 6 is a rear view thereof;
 FIG. 7 is a left side view thereof;
 FIG. 8 is a right side view thereof;
 FIG. 9 is a top view thereof; and,
 FIG. 10 is a bottom view thereof.

1 Claim, 10 Drawing Sheets



(56)

References Cited

U.S. PATENT DOCUMENTS

D782,336 S *	3/2017	White	D10/39
D782,337 S *	3/2017	White	D10/39
D782,338 S *	3/2017	White	D10/39
D782,923 S *	4/2017	Belamich	D10/39

* cited by examiner

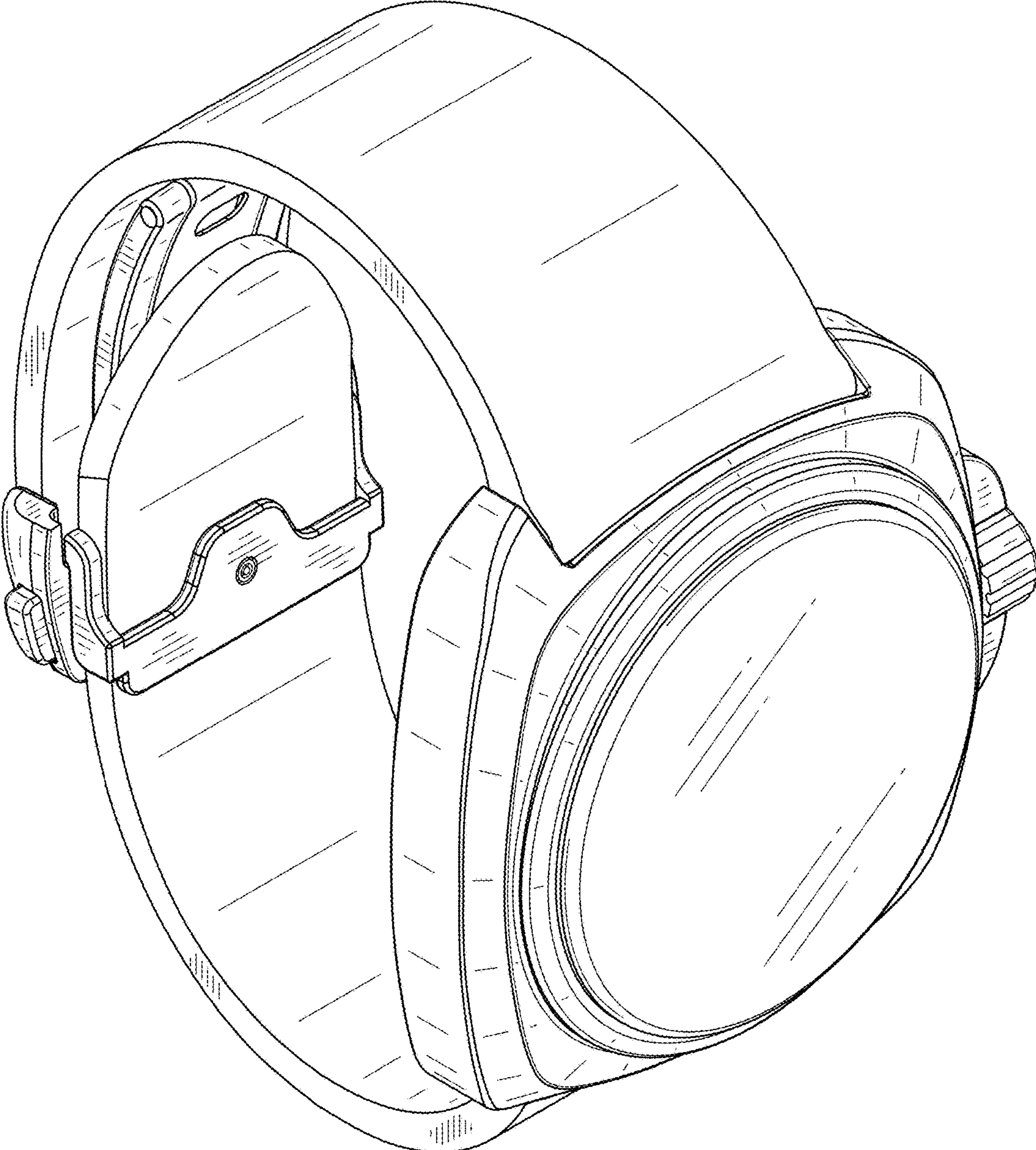


FIG. 1

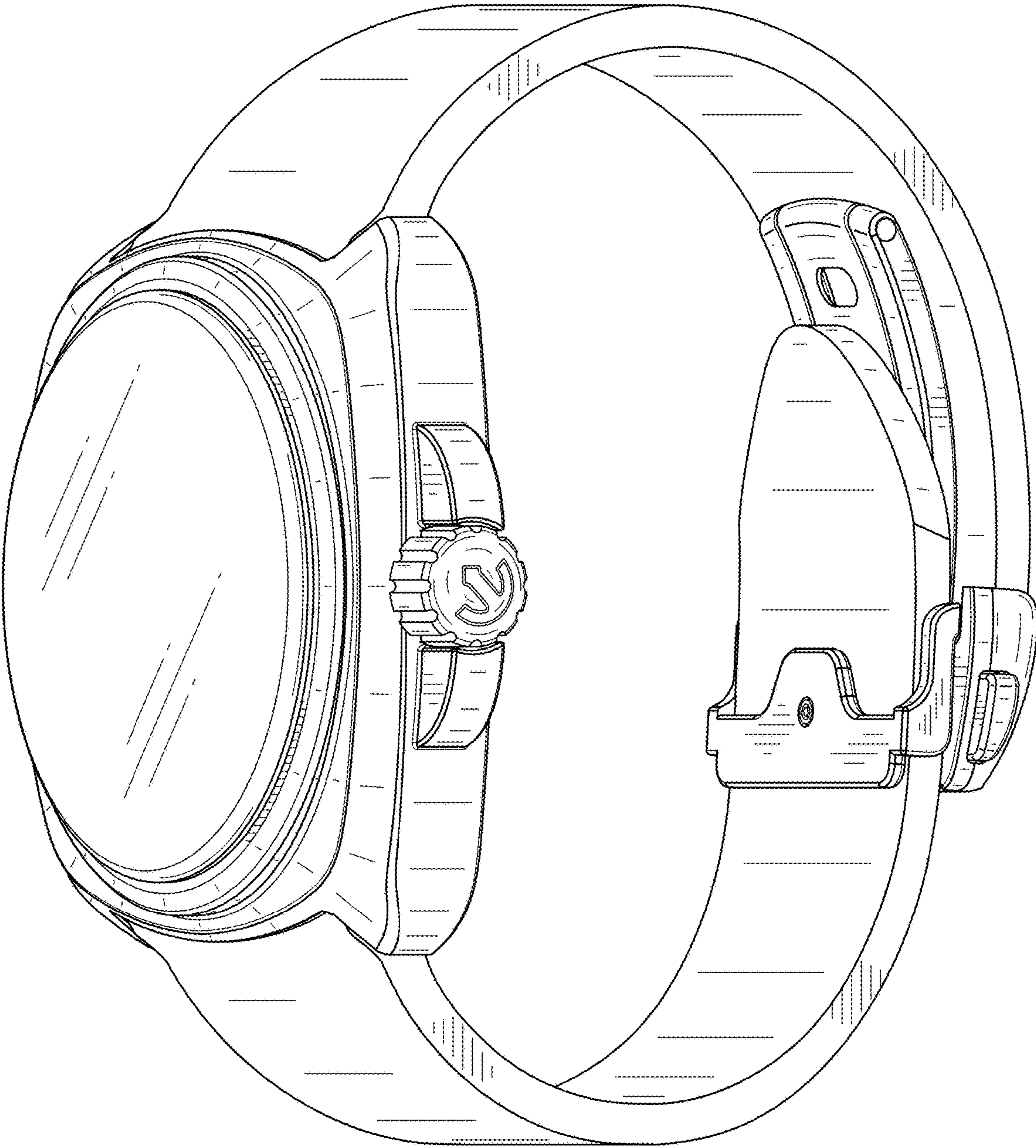


FIG. 2

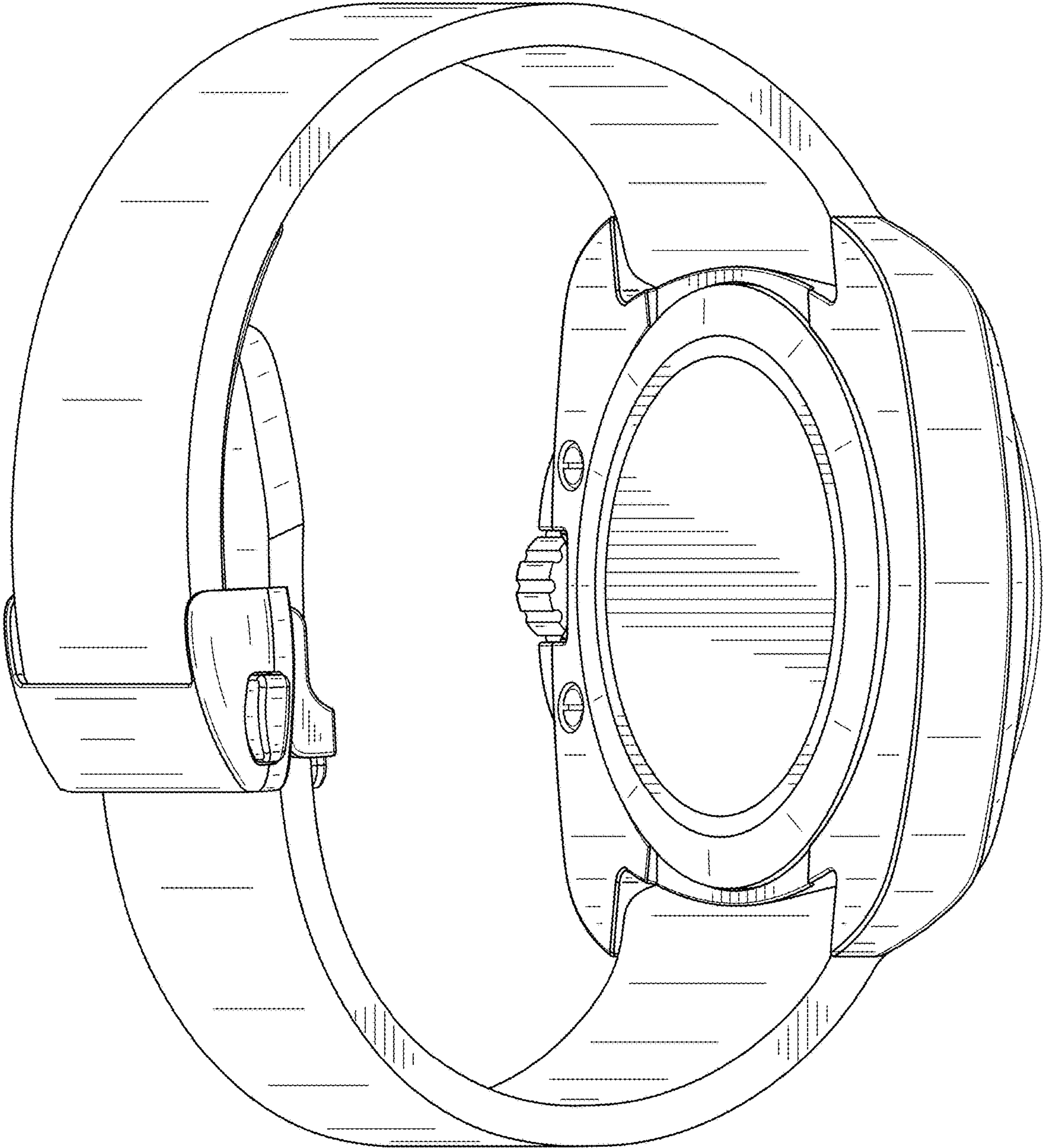


FIG. 3

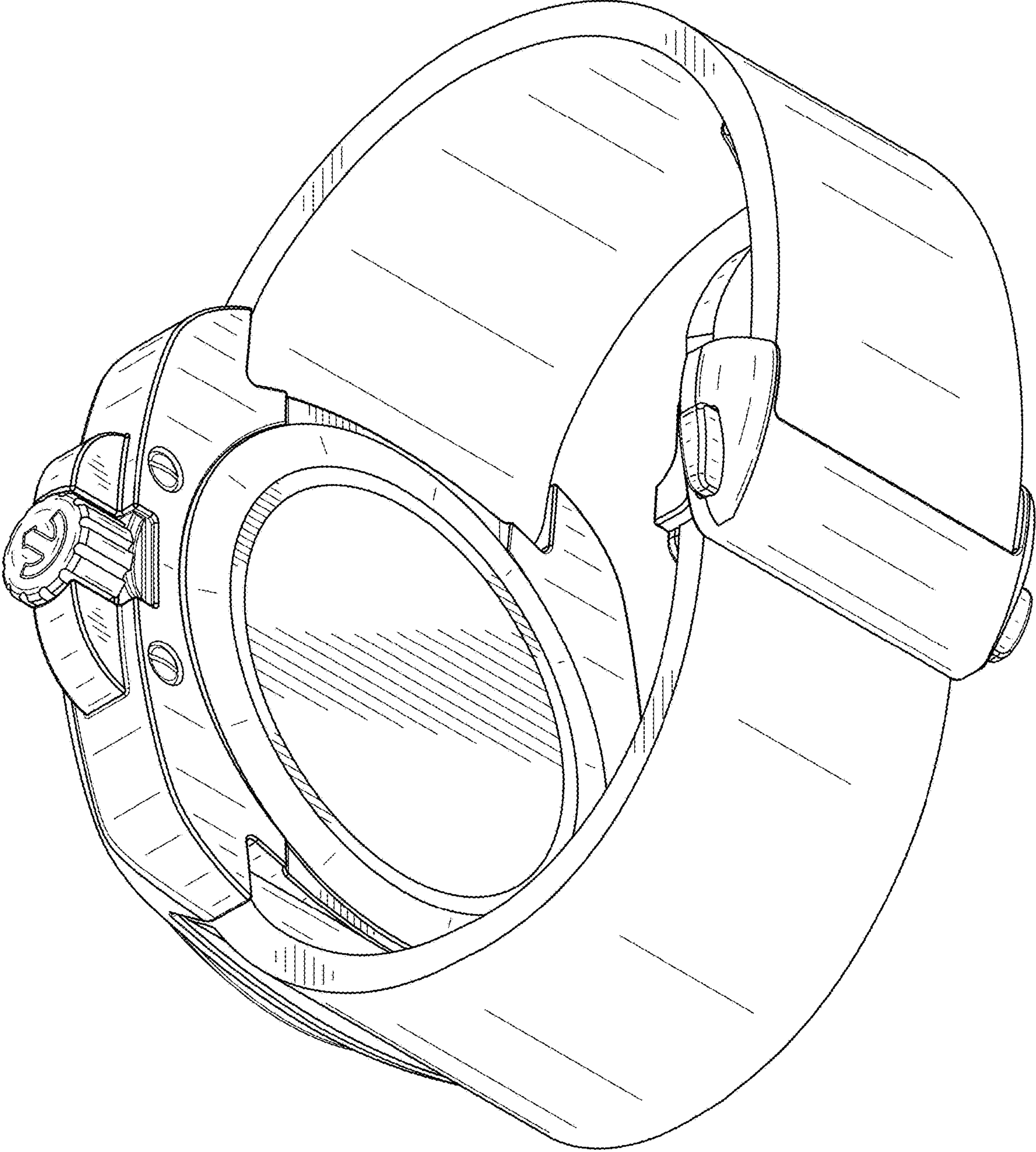


FIG. 4

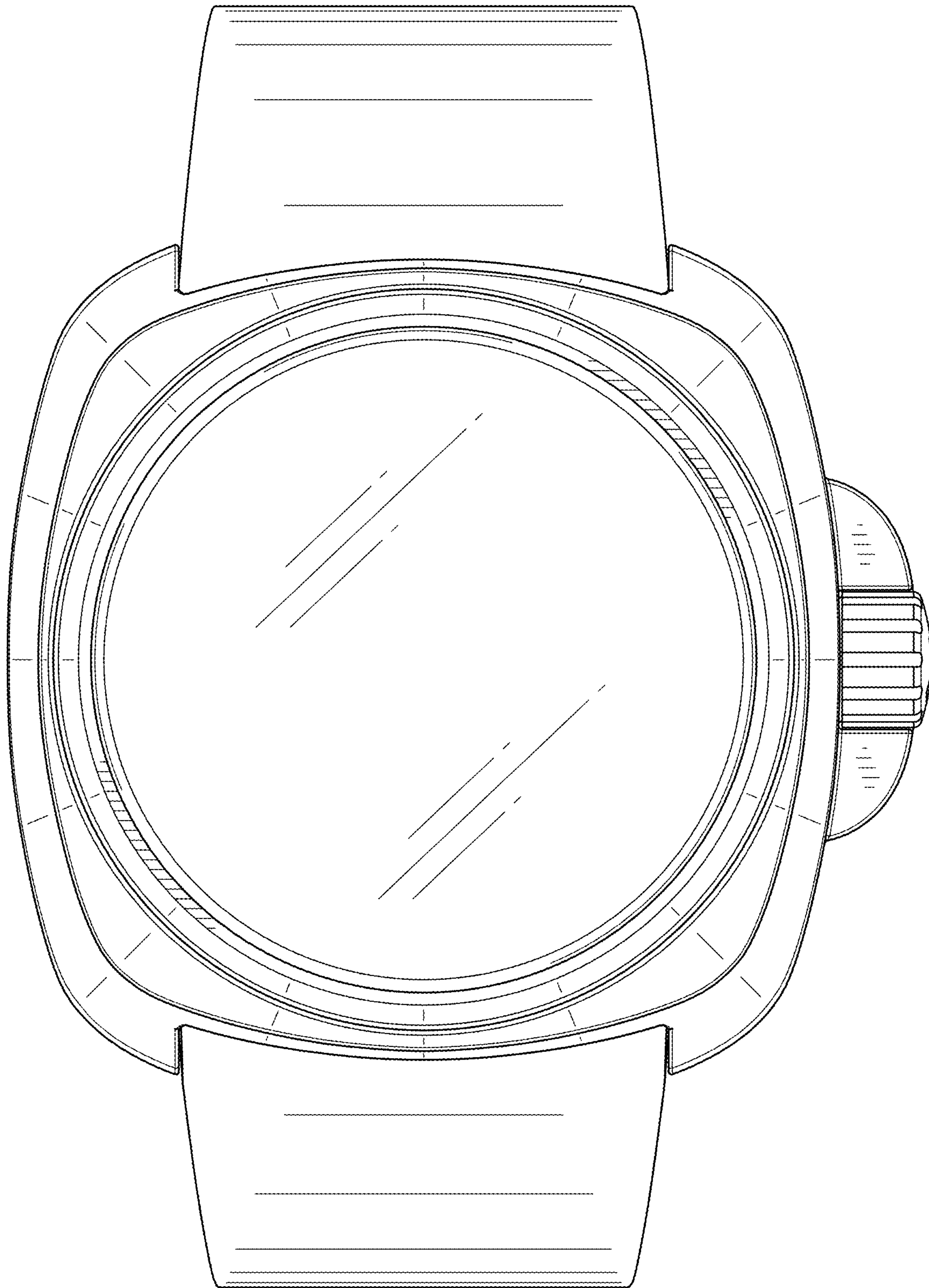


FIG. 5

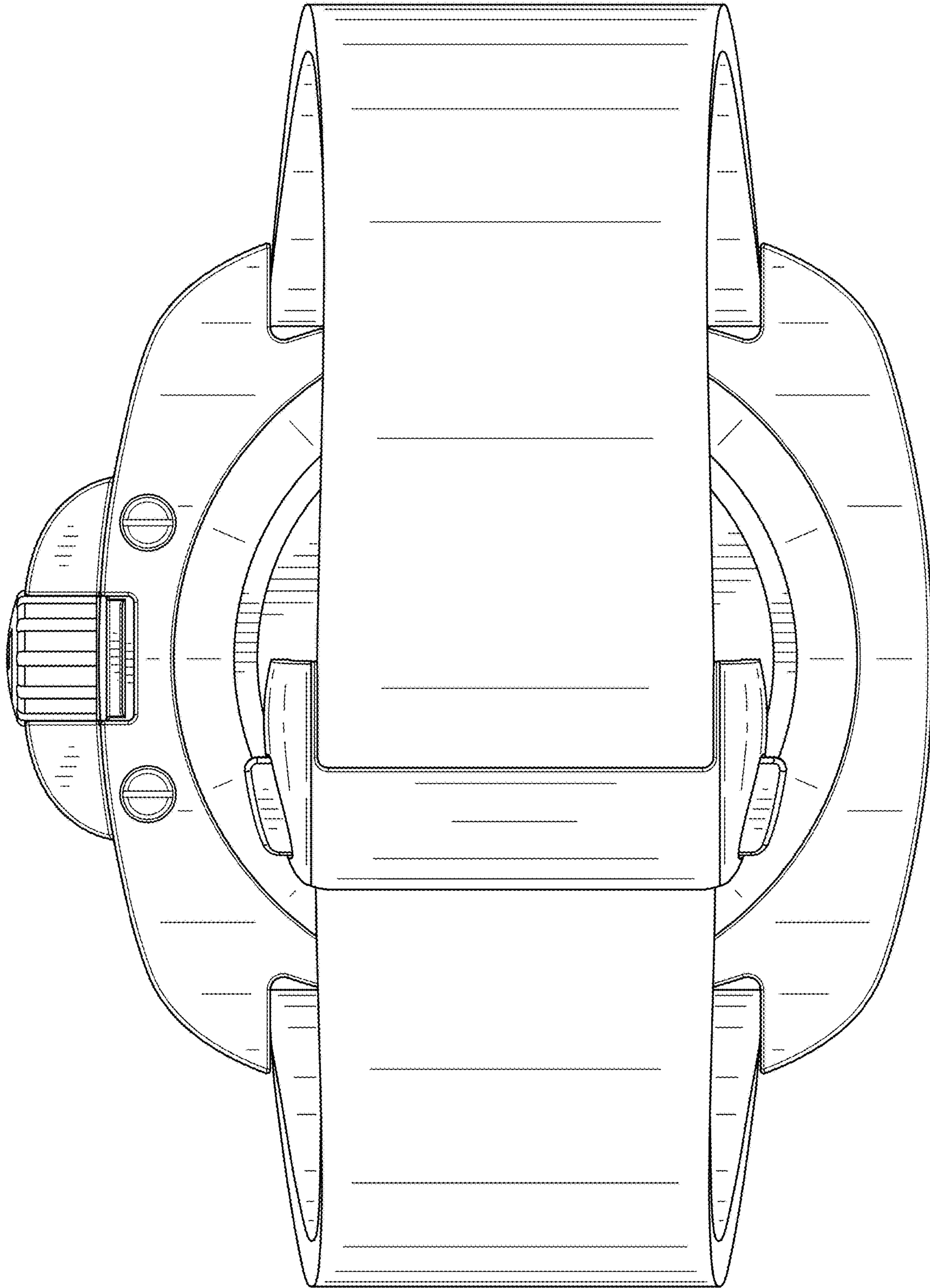


FIG. 6

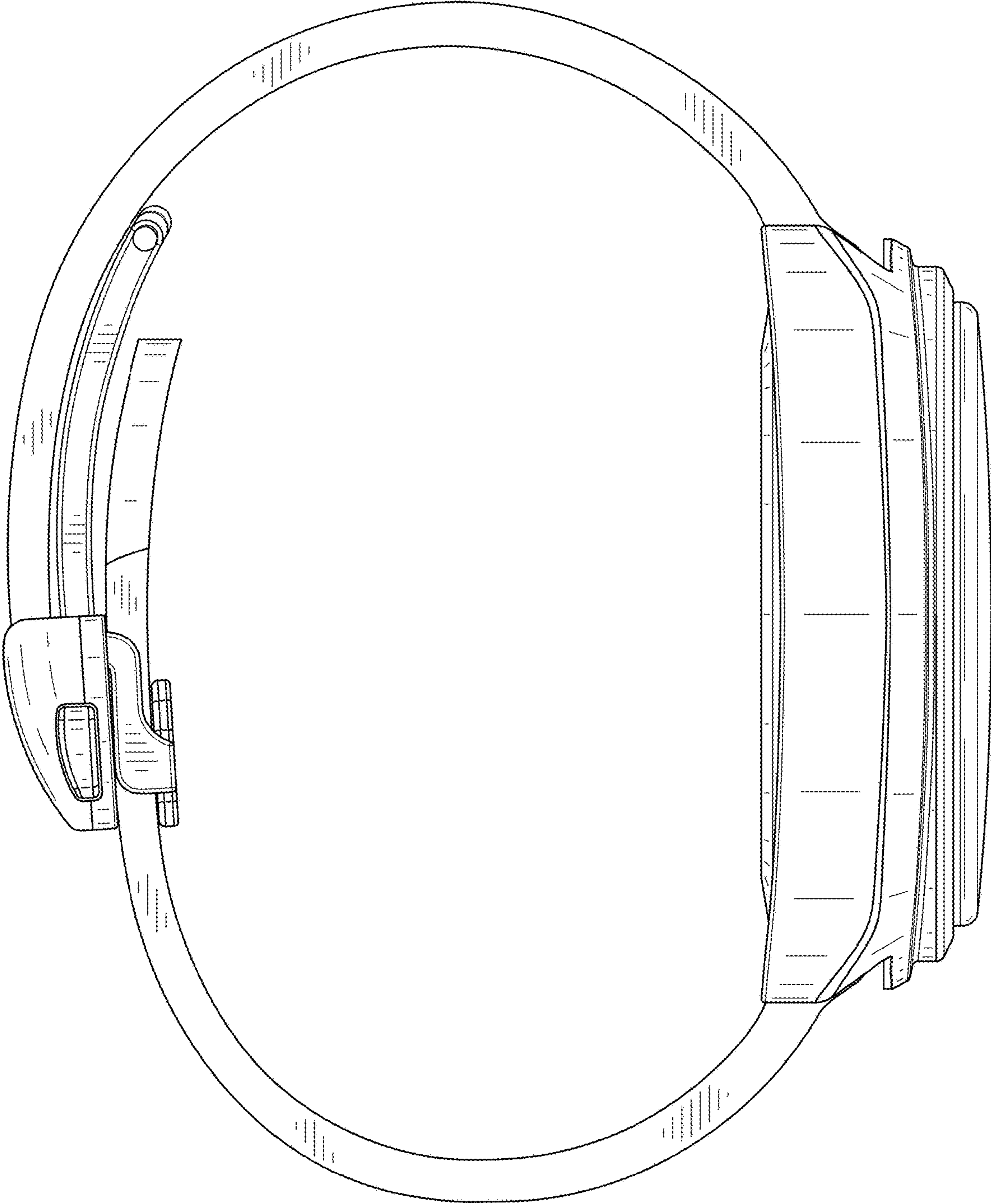


FIG. 7

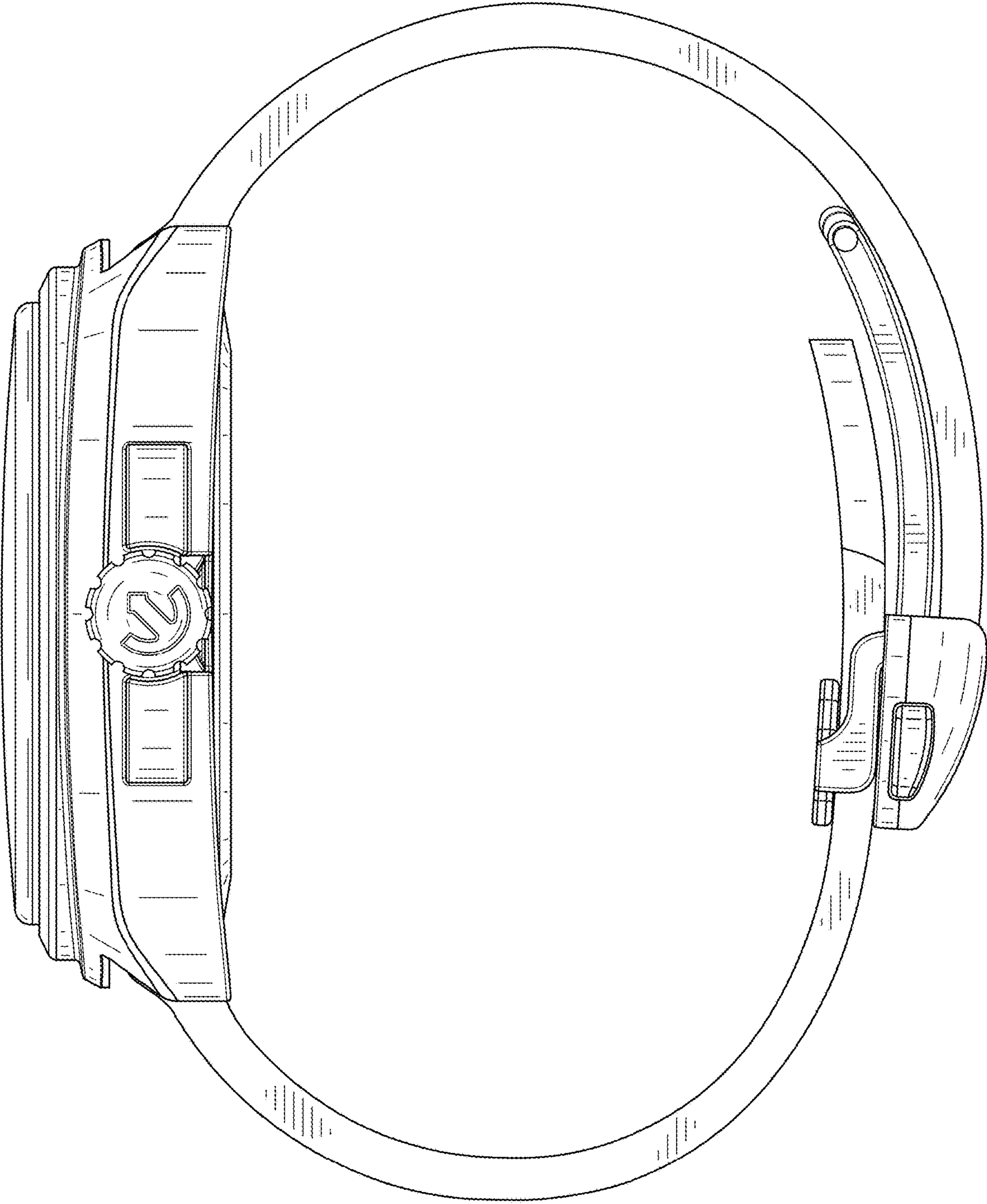


FIG. 8

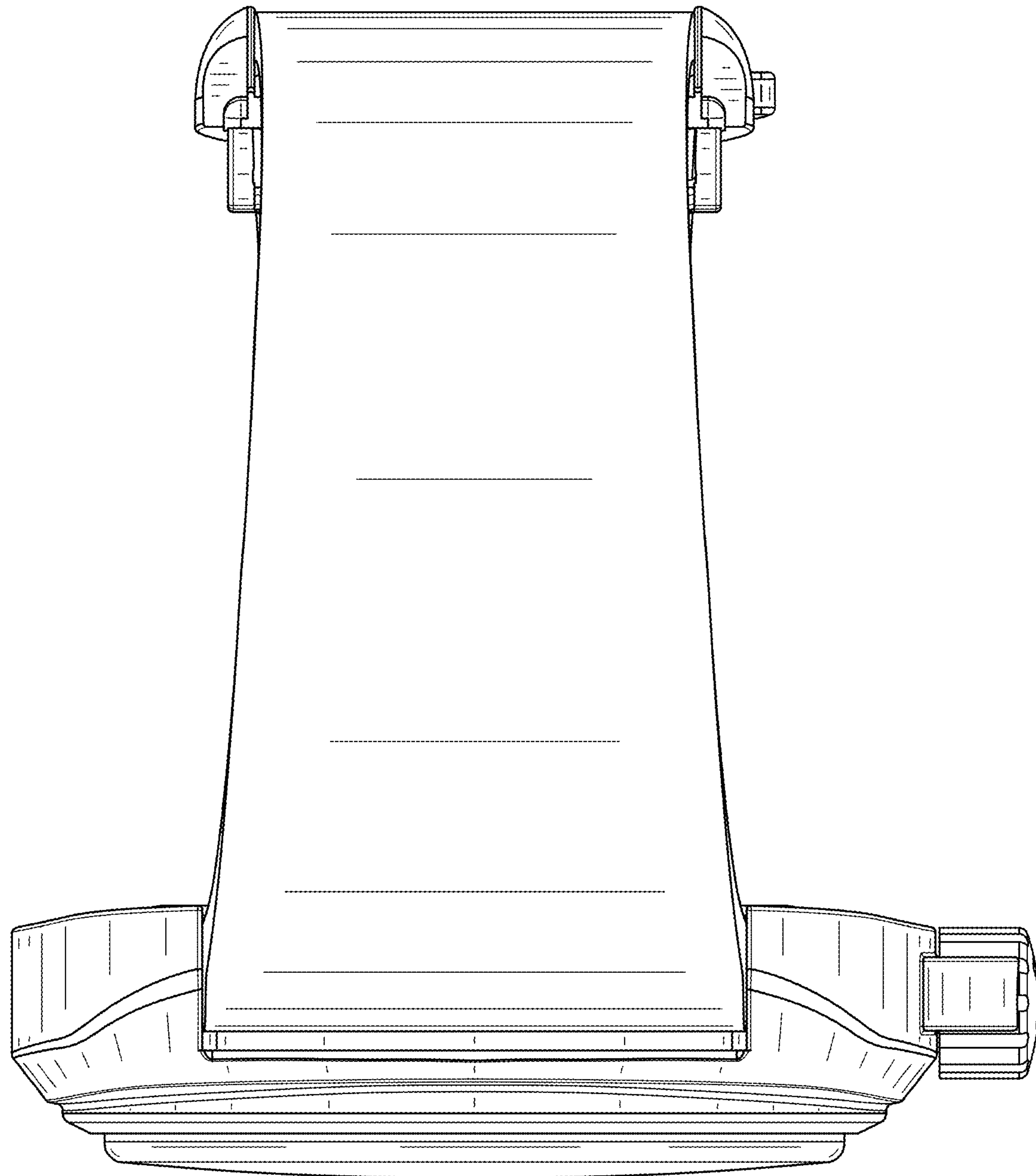


FIG. 9

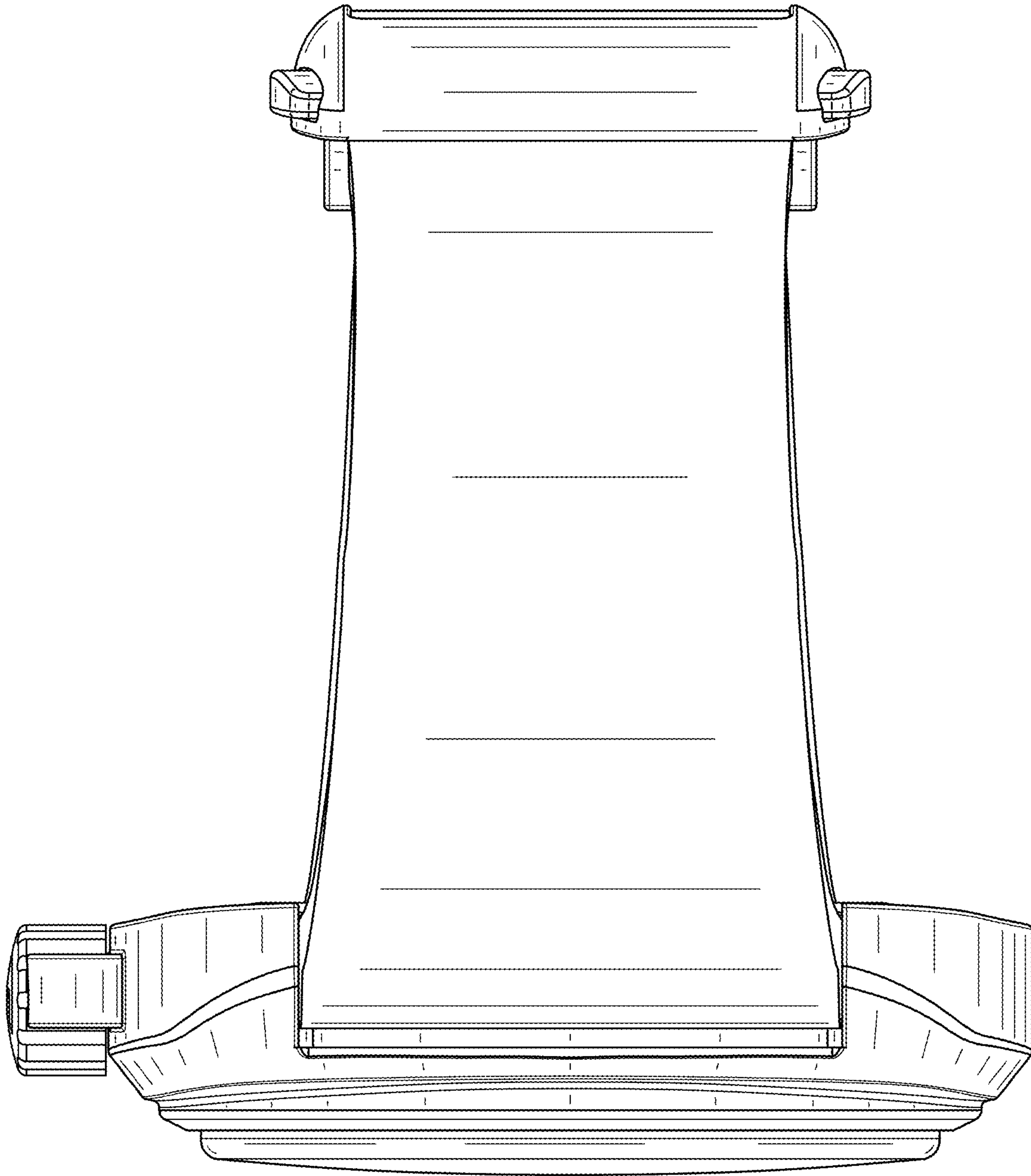


FIG. 10