



US00D812497S

(12) **United States Design Patent**
Kogen

(10) **Patent No.:** **US D812,497 S**
(45) **Date of Patent:** **** Mar. 13, 2018**

(54) **WATCH FOR MOUNTING ON A SURFBOARD LEASH**

(71) Applicant: **A Frame Watch LLC**, Honolulu, HI (US)

(72) Inventor: **Jonah Kogen**, Honolulu, HI (US)

(73) Assignee: **A Frame Watch LLC**, Honolulu, HI (US)

(**) Term: **15 Years**

(21) Appl. No.: **29/560,163**

(22) Filed: **Apr. 4, 2016**

(51) **LOC (11) Cl.** **10-02**

(52) **U.S. Cl.**
USPC **D10/32**

(58) **Field of Classification Search**
USPC D10/3, 14, 15, 41, 30-31, 37-39, 65, 97,
D10/98, 122-128, 131; D24/167, 168;
D14/344

CPC G04B 19/00; G04B 19/025; G04B 19/04;
G04B 19/046; G04B 19/048; G04B
19/06; G04B 19/08; G04B 19/085; G04B
19/087; G04B 19/10; G04B 19/103;
G04B 19/106; G04B 19/11; G04B 19/16;
G04B 19/166; G04B 19/18; G04B 19/22;
G04B 19/223; G04B 19/24; G04B 19/30;
G04B 37/00; G04B 37/0008; G04B
37/02; G04B 37/04; G04B 37/12; G04B
45/0069; G04B 45/0076; G04F 7/08;
G04F 7/0804; G04F 7/0842; G04F
7/0857; G04F 7/0861; G04F 7/0876;
G04C 17/00; G04C 17/0008; G04C
17/0016; G04C 17/0025; G04C 17/0033;
G04C 17/0041; G04C 17/005; G04C
17/0058; G04C 17/0066; G04C 17/0075;
G04C 17/0083; G04C 17/0091; G04C
19/00; G04C 19/04

See application file for complete search history.

(56) **References Cited**

U.S. PATENT DOCUMENTS

D545,220 S *	6/2007	Leung	D10/31
D548,457 S *	8/2007	Reinerio	D3/218
D555,896 S *	11/2007	Ward-Llewellyn	D3/215
D556,194 S *	11/2007	Rambosek	D11/2
D558,198 S *	12/2007	Blankenship	D11/2
D564,367 S *	3/2008	Molyneux	D10/31
D567,227 S *	4/2008	Hada	D11/4

(Continued)

Primary Examiner — Sandra S Snapp

Assistant Examiner — Katherine Glennon

(74) *Attorney, Agent, or Firm* — Caesar Rivise, PC

(57) **CLAIM**

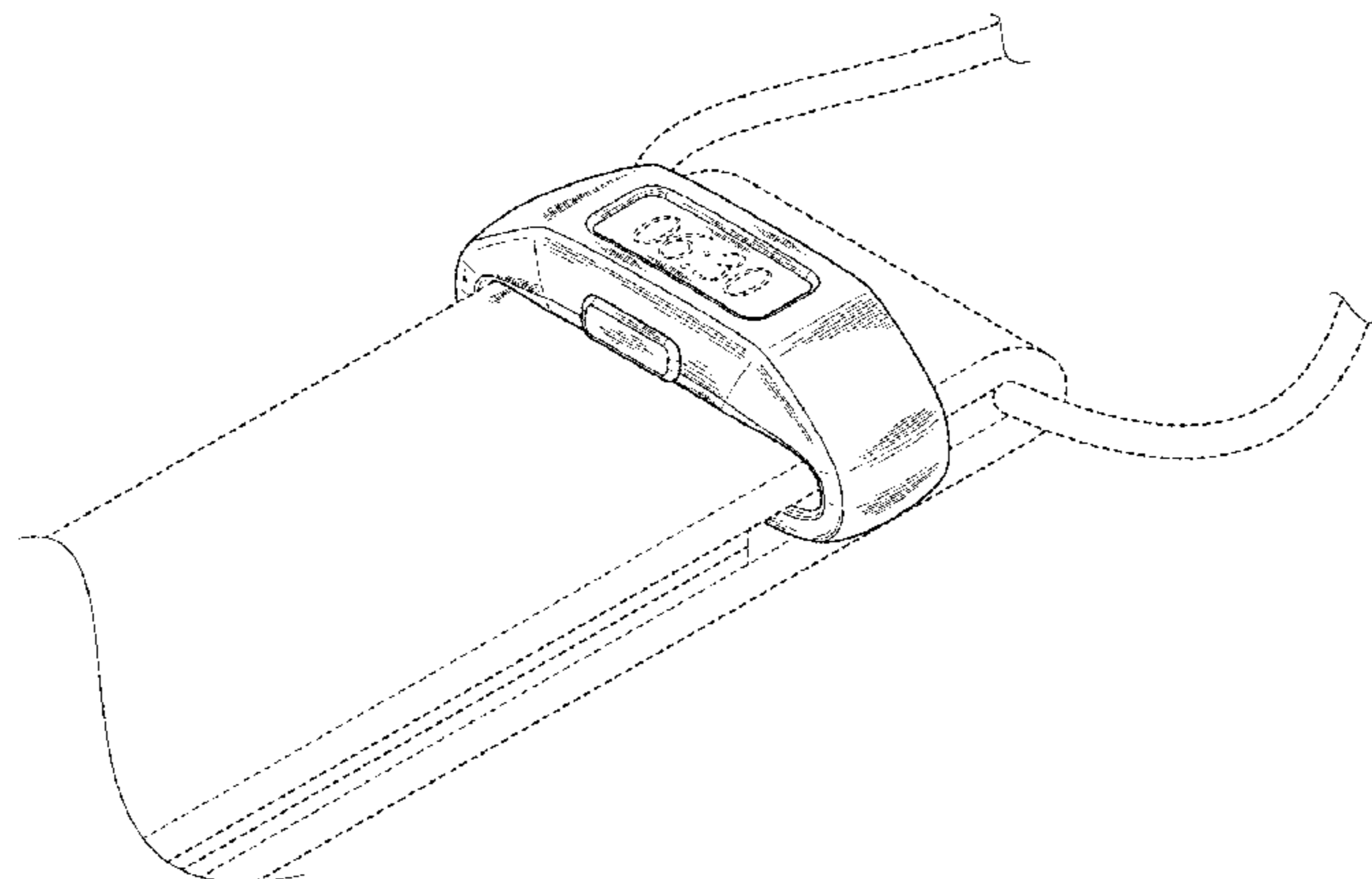
The ornamental design for a watch for mounting on a surfboard leash, as shown and described.

DESCRIPTION

FIG. 1 is a left side isometric view of the watch for mounting on a surfboard leash, shown mounted on a typical surfboard leash, in accordance with my new design; FIG. 2 is an enlarged isometric view of the watch for mounting on a surfboard leash, taken from the left side; FIG. 3 is a an enlarged isometric view thereof, taken from the right side; FIG. 4 is a left side elevation view thereof; FIG. 5 is a right side elevation view thereof; FIG. 6 is a top plan view thereof; FIG. 7 is a bottom plan view thereof; FIG. 8 is a front elevation view thereof; and, FIG. 9 is a rear elevation view thereof.

The portions of the watch for mounting on a surfboard leash shown in broken lines form no part of the claimed design. The broken lines showing the surfboard leash illustrate environmental structure only, and form no part of the claimed design.

1 Claim, 6 Drawing Sheets



(56)

References Cited

U.S. PATENT DOCUMENTS

D594,000	S *	6/2009	Yeon	D14/226
D643,428	S *	8/2011	Janky	D14/240
D660,185	S *	5/2012	Schrepfer	D10/32
D671,858	S *	12/2012	Cobbett	D11/3
D706,531	S *	6/2014	Park	D3/215
D707,041	S *	6/2014	Park	D3/215
D711,002	S *	8/2014	Ohnemus	D24/186
D716,458	S *	10/2014	Snyder	D24/186
D717,956	S *	11/2014	Alexander	D24/167
D718,647	S *	12/2014	Roush	D10/70
D720,635	S *	1/2015	Park	D10/70
8,954,135	B2 *	2/2015	Yuen	H04W 4/027 600/407
D746,477	S *	12/2015	Cha	D24/186
D773,049	S *	11/2016	Wimmer, IV	D10/103
2009/0195497	A1 *	8/2009	Fitzgerald	G06F 1/3203 345/156
2012/0051193	A1 *	3/2012	Yu	G04C 10/00 368/204
2013/0016016	A1 *	1/2013	Lin	H01Q 1/273 343/702
2014/0278139	A1 *	9/2014	Hong	A61L 35/4866 702/19
2015/0063075	A1 *	3/2015	Baek	G04G 17/04 368/10
2015/0110279	A1 *	4/2015	Tejerina	G01H 3/14 381/56

* cited by examiner

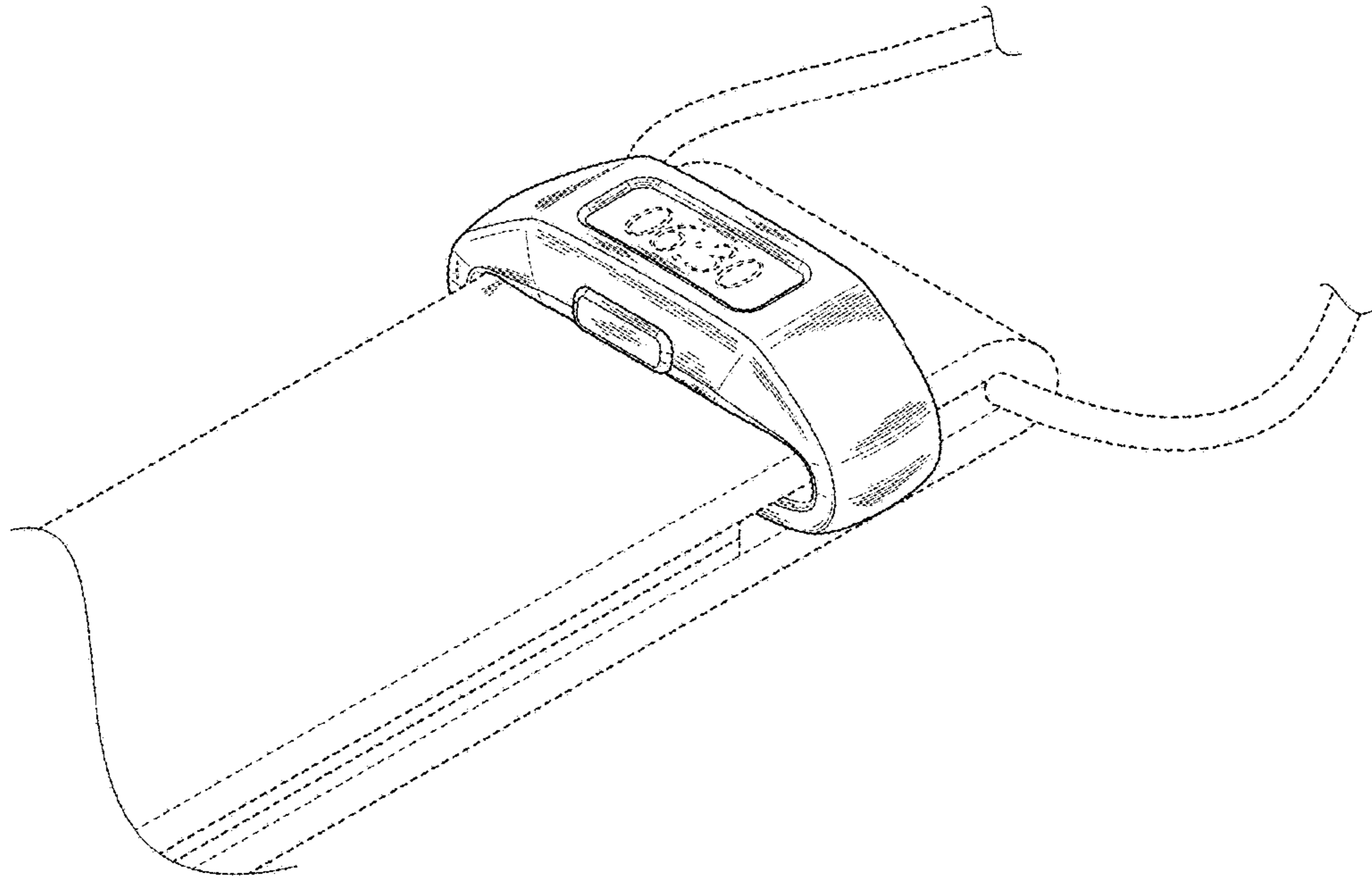


FIG. 1

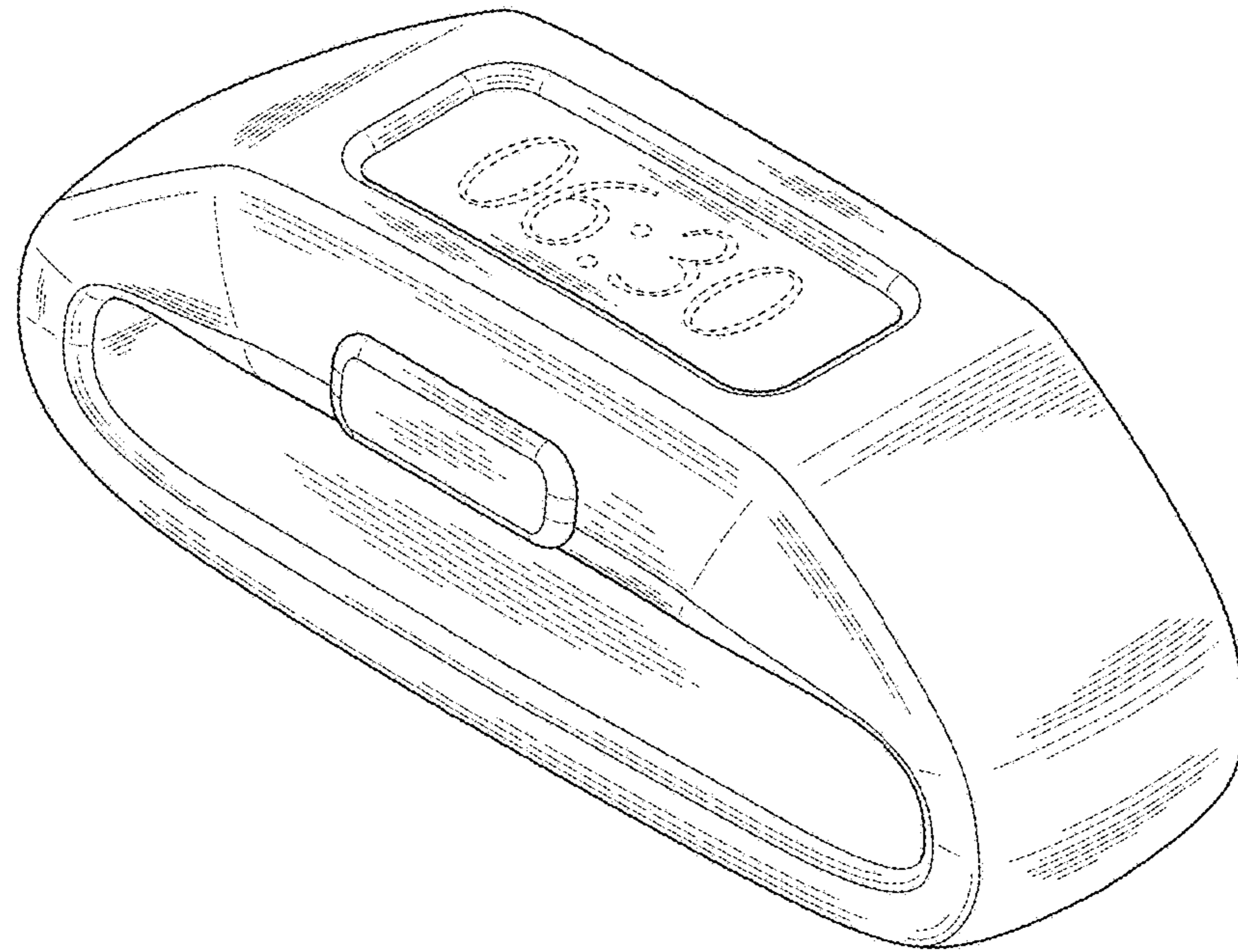


FIG. 2

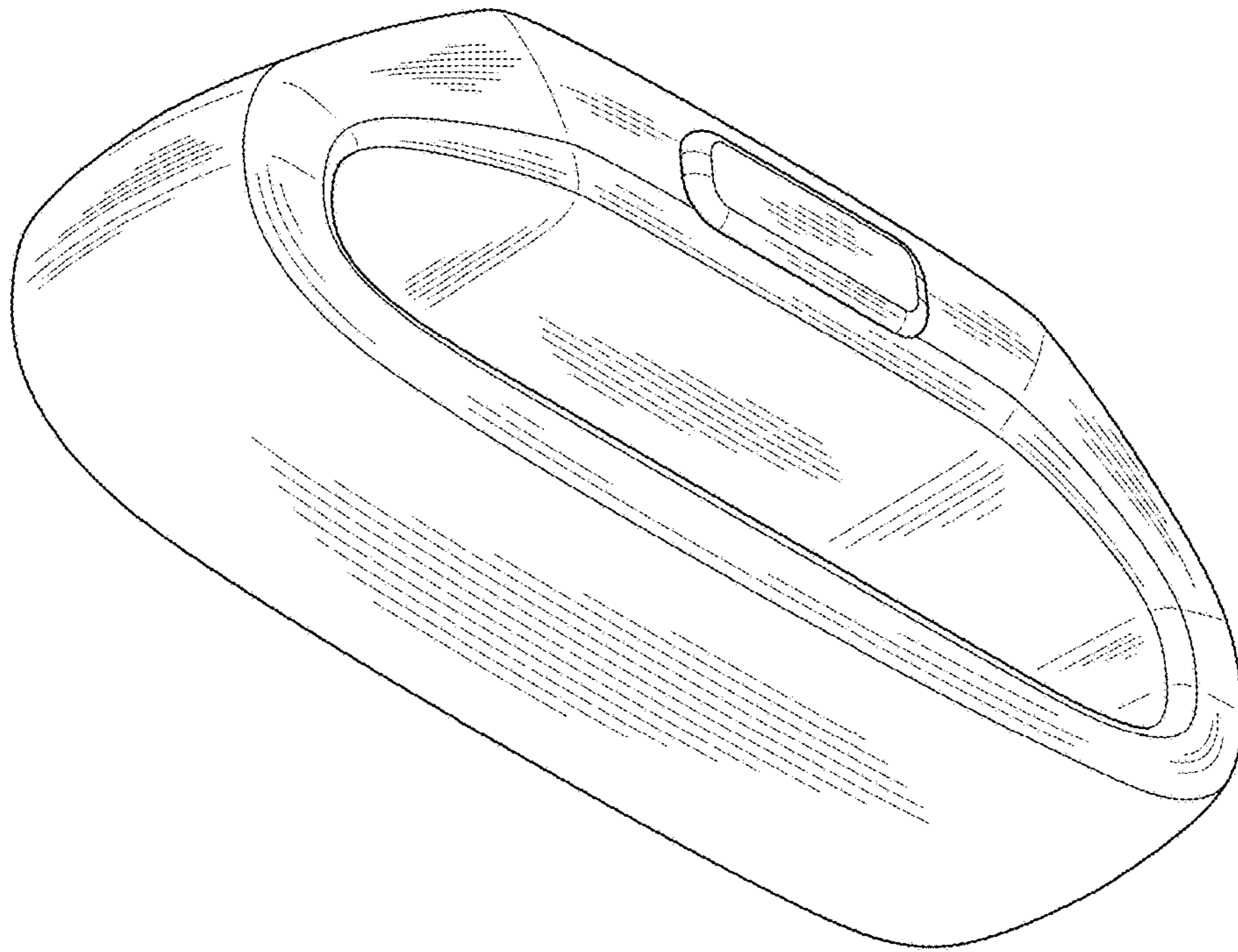


FIG. 3

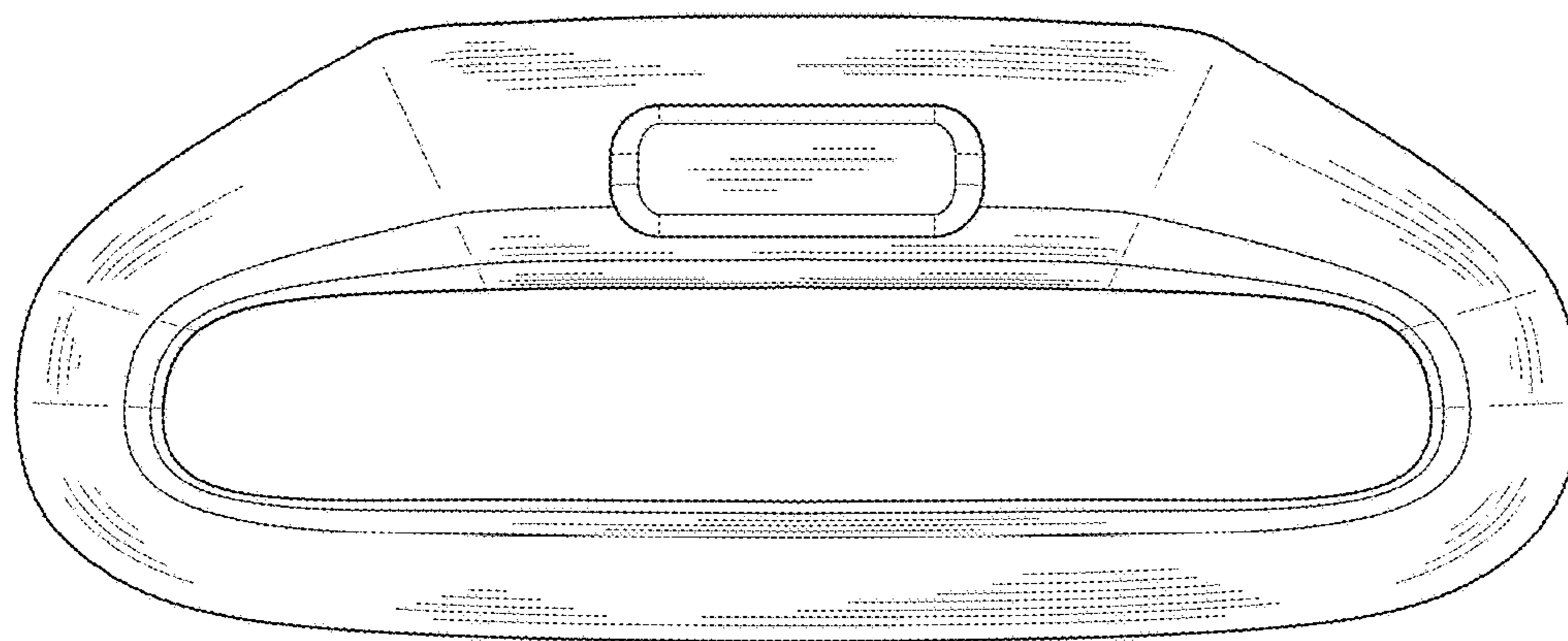


FIG. 4

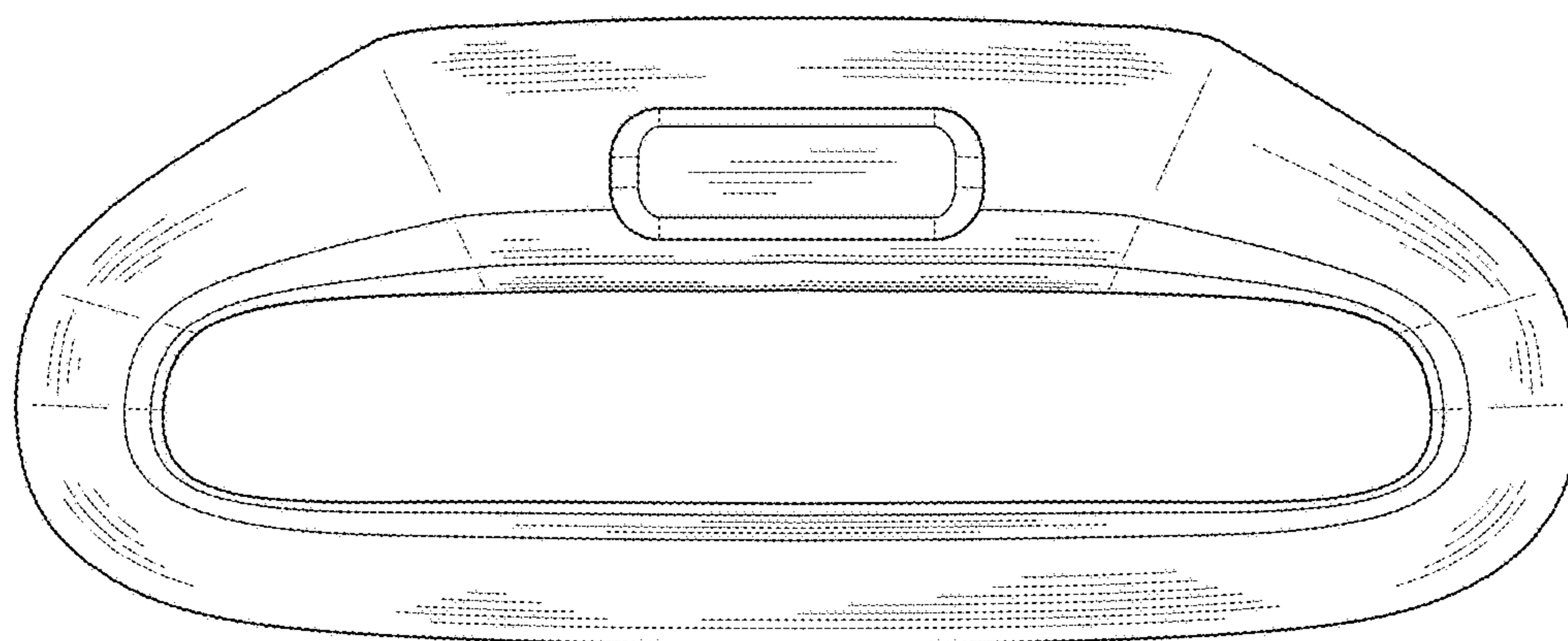


FIG. 5

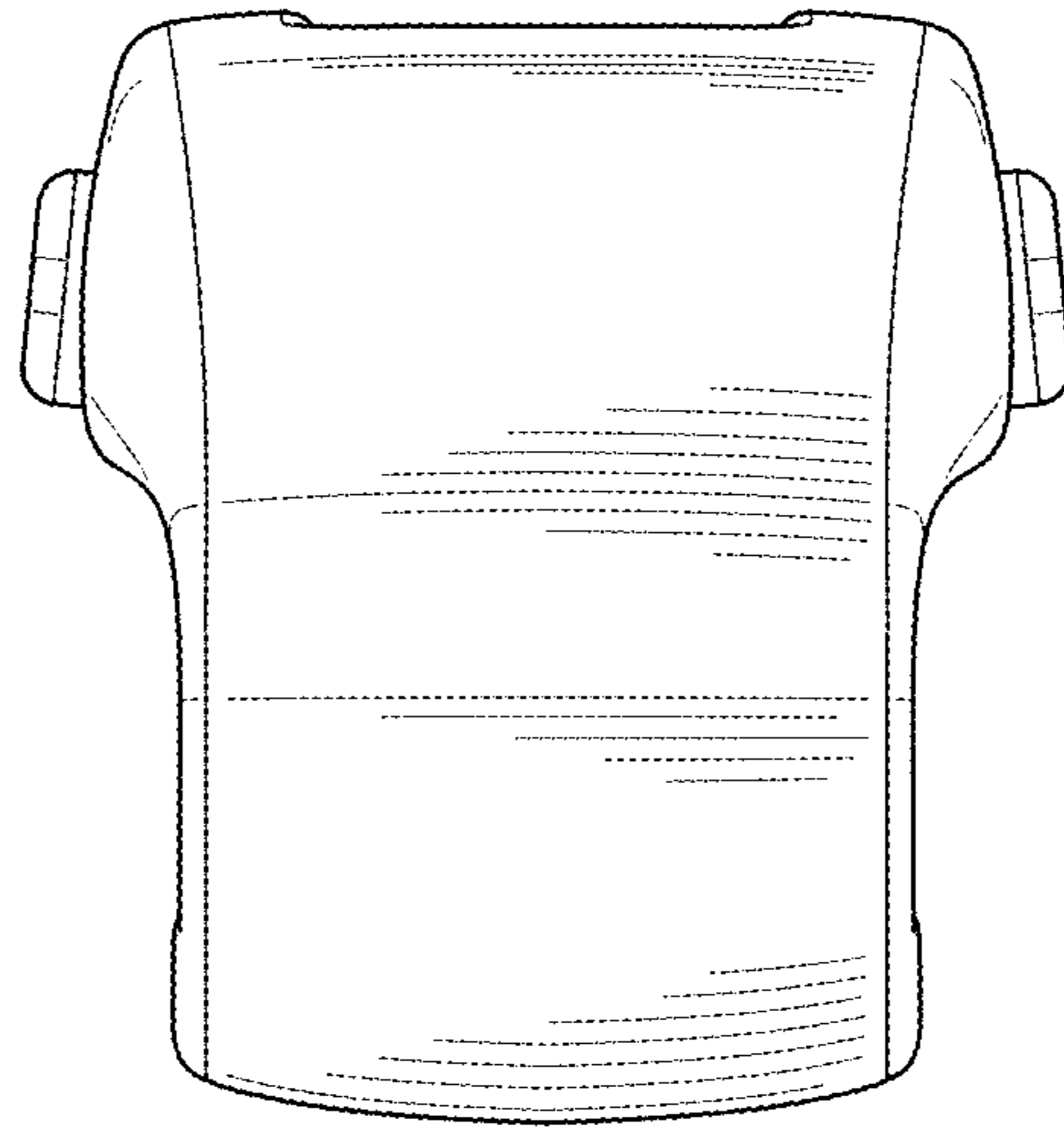


FIG. 6

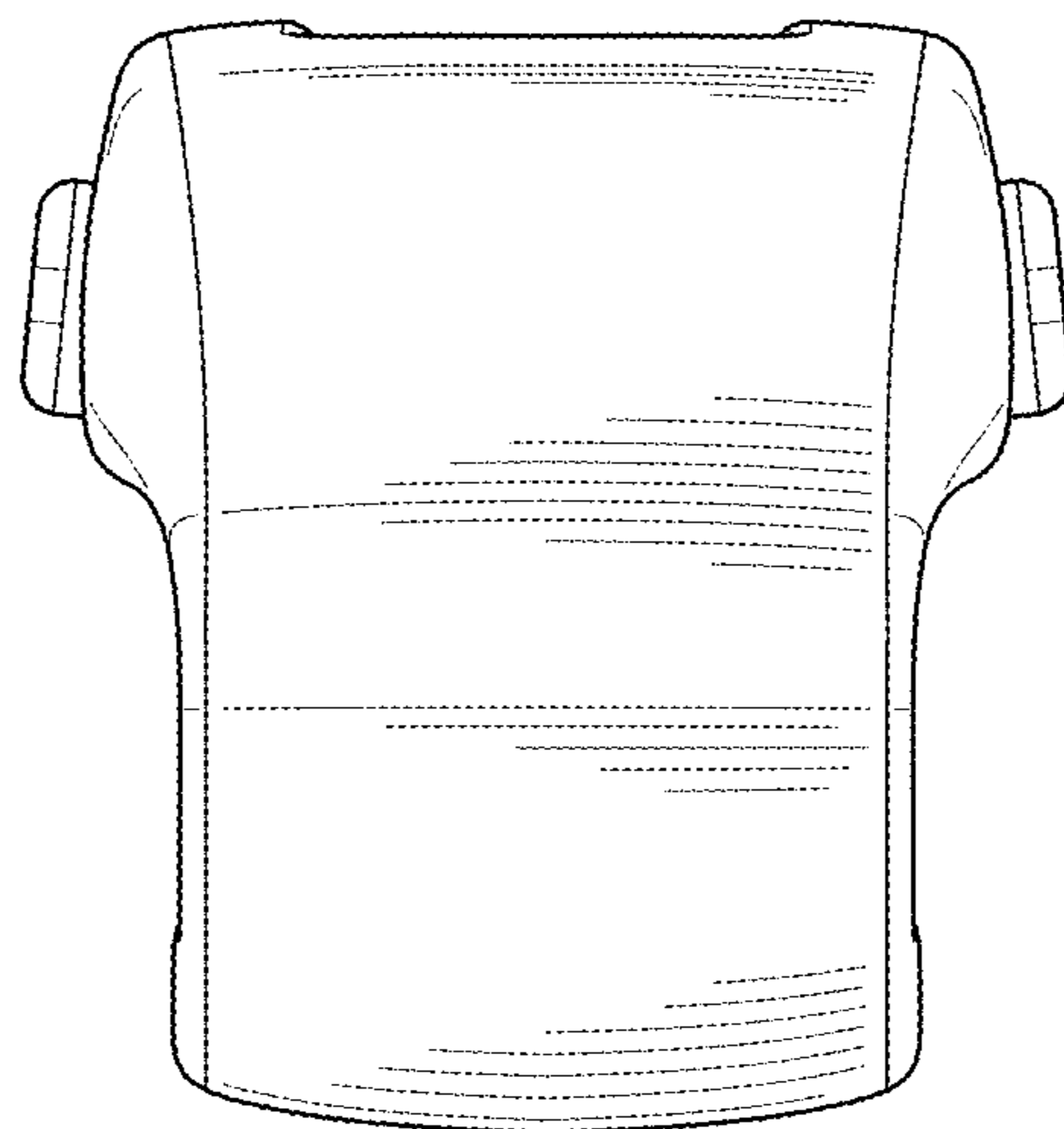


FIG. 7

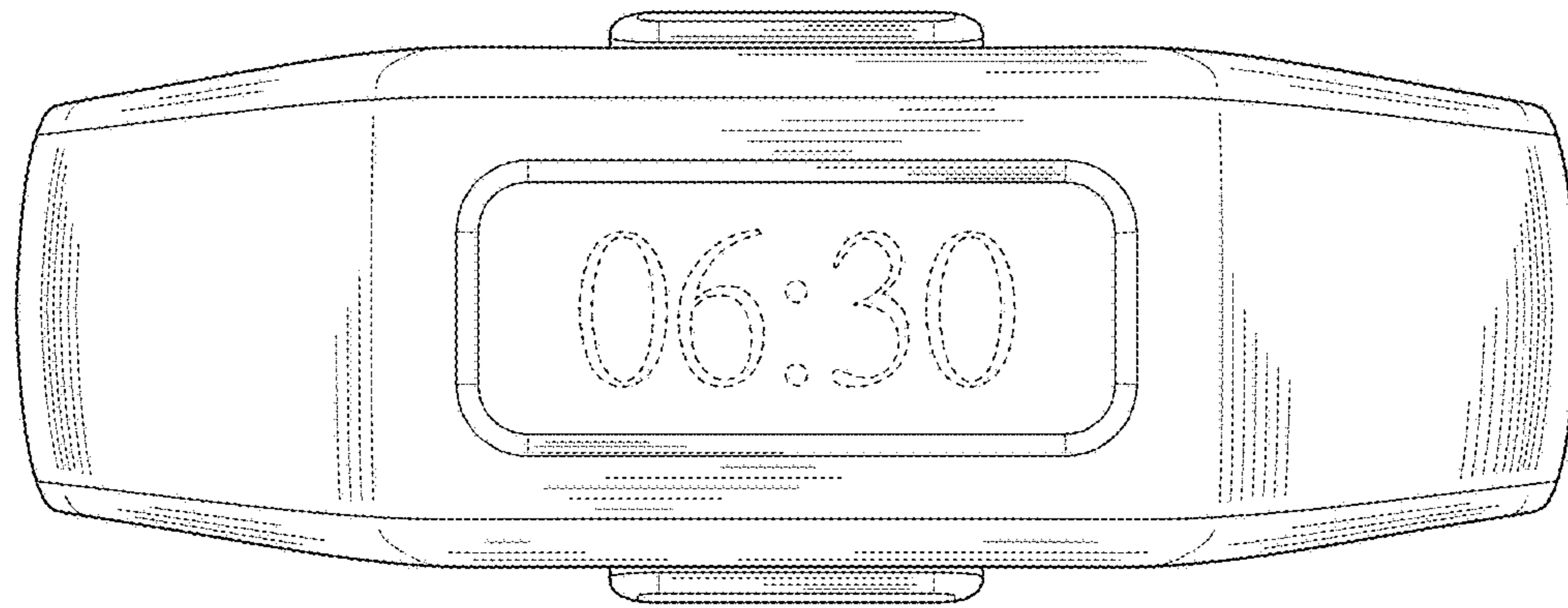


FIG. 8

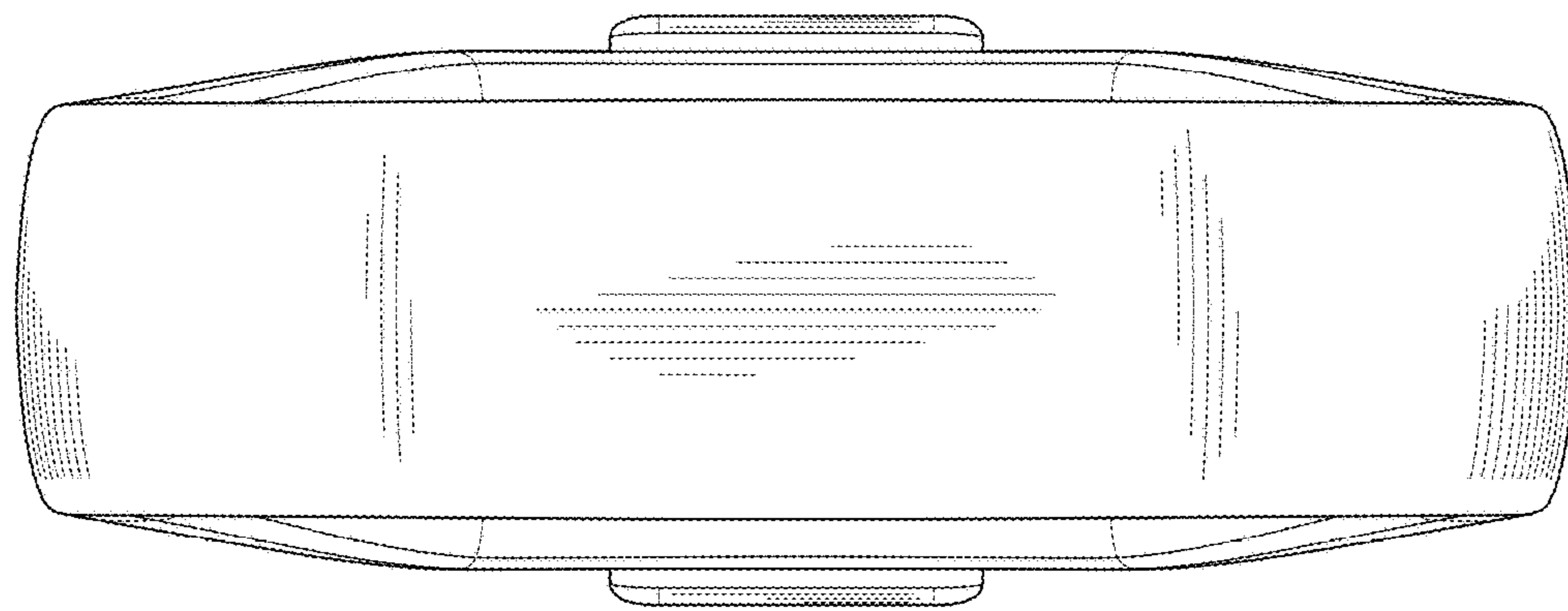


FIG. 9