



US00D812496S

(12) **United States Design Patent**  
**Favre**

(10) **Patent No.:** **US D812,496 S**

(45) **Date of Patent:** **\*\* Mar. 13, 2018**

(54) **WATCH CASE**

(71) Applicant: **Richemont International SA,**  
Villars-sur-Glane (CH)

(72) Inventor: **Lionel Favre,** Ambilly (FR)

(73) Assignee: **Richemont International SA,**  
Villars-sur-Glane (CH)

(\*\*) Term: **15 Years**

(21) Appl. No.: **29/571,086**

(22) Filed: **Jul. 14, 2016**

(30) **Foreign Application Priority Data**

Jan. 15, 2016 (WO) ..... 951229601

(51) **LOC (11) Cl.** ..... **10-02**

(52) **U.S. Cl.**  
USPC ..... **D10/30**

(58) **Field of Classification Search**

USPC ..... D10/1-39, 122-132; D11/2-5, 12, 14  
CPC ..... G04B 17/00; G04B 17/02; G04B 17/005;  
G04B 17/285; G04B 37/00; G04B 37/00;  
G04B 37/0058; G04B 45/00; G04B  
45/02; G04B 45/038; G04B 45/0069;  
G04B 45/0076; G04B 29/00

See application file for complete search history.

(56) **References Cited**

**U.S. PATENT DOCUMENTS**

D157,663 S \* 3/1950 Dinhofer ..... D10/38  
D158,759 S \* 5/1950 Katz ..... D11/4

D165,152 S \* 11/1951 Granat ..... D10/128  
D343,508 S \* 1/1994 Jones ..... D2/606  
D456,720 S \* 5/2002 Brzezinski ..... D10/30  
D472,180 S \* 3/2003 Lee ..... D11/26  
D517,442 S \* 3/2006 Polk, III ..... D11/4  
D547,026 S \* 7/2007 Grison ..... D2/600  
D628,502 S \* 12/2010 Hayek ..... D10/39  
D668,969 S \* 10/2012 Chastaingt ..... D10/38  
D715,659 S \* 10/2014 Graff ..... D10/34  
D758,214 S \* 6/2016 Gueit ..... D10/36

\* cited by examiner

*Primary Examiner* — Sheryl Lane

*Assistant Examiner* — Calvin E Vansant

(74) *Attorney, Agent, or Firm* — Taft Stettinius &  
Hollister LLP

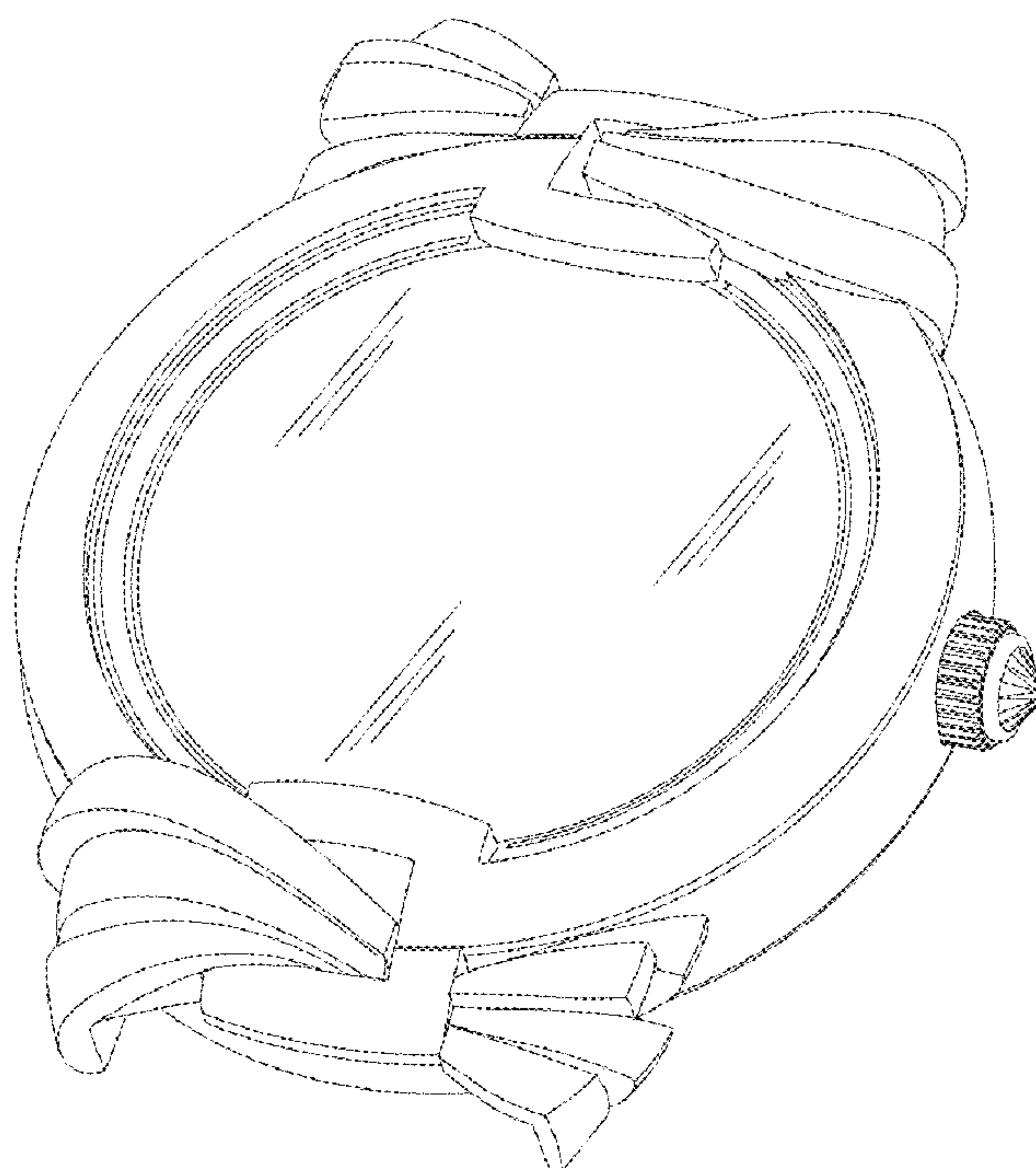
(57) **CLAIM**

The ornamental design for a watch case, as shown and described.

**DESCRIPTION**

FIG. 1 is a front plan view of a watch case showing my new design;  
FIG. 2 is a rear plan view thereof;  
FIG. 3 is a right side elevational view thereof;  
FIG. 4 is a left side elevational view thereof;  
FIG. 5 is a bottom elevational view thereof;  
FIG. 6 is a top elevational view thereof;  
FIG. 7 is a front, right perspective view thereof; and,  
FIG. 8 is a rear, left perspective view thereof.  
The broken lines in the drawing figures depict unclaimed subject matter that forms no part of the claimed design.

**1 Claim, 1 Drawing Sheet**



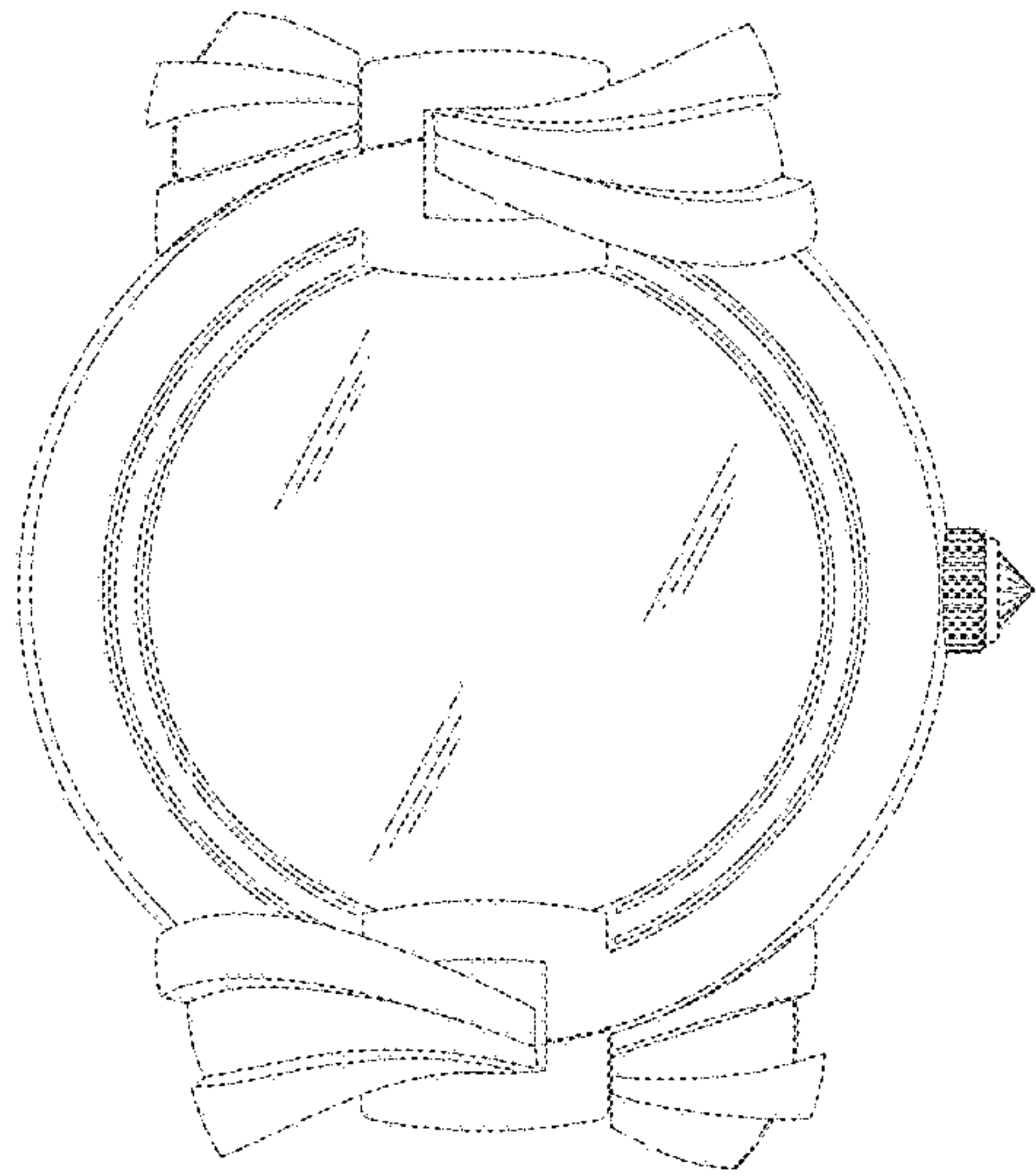


Fig. 1

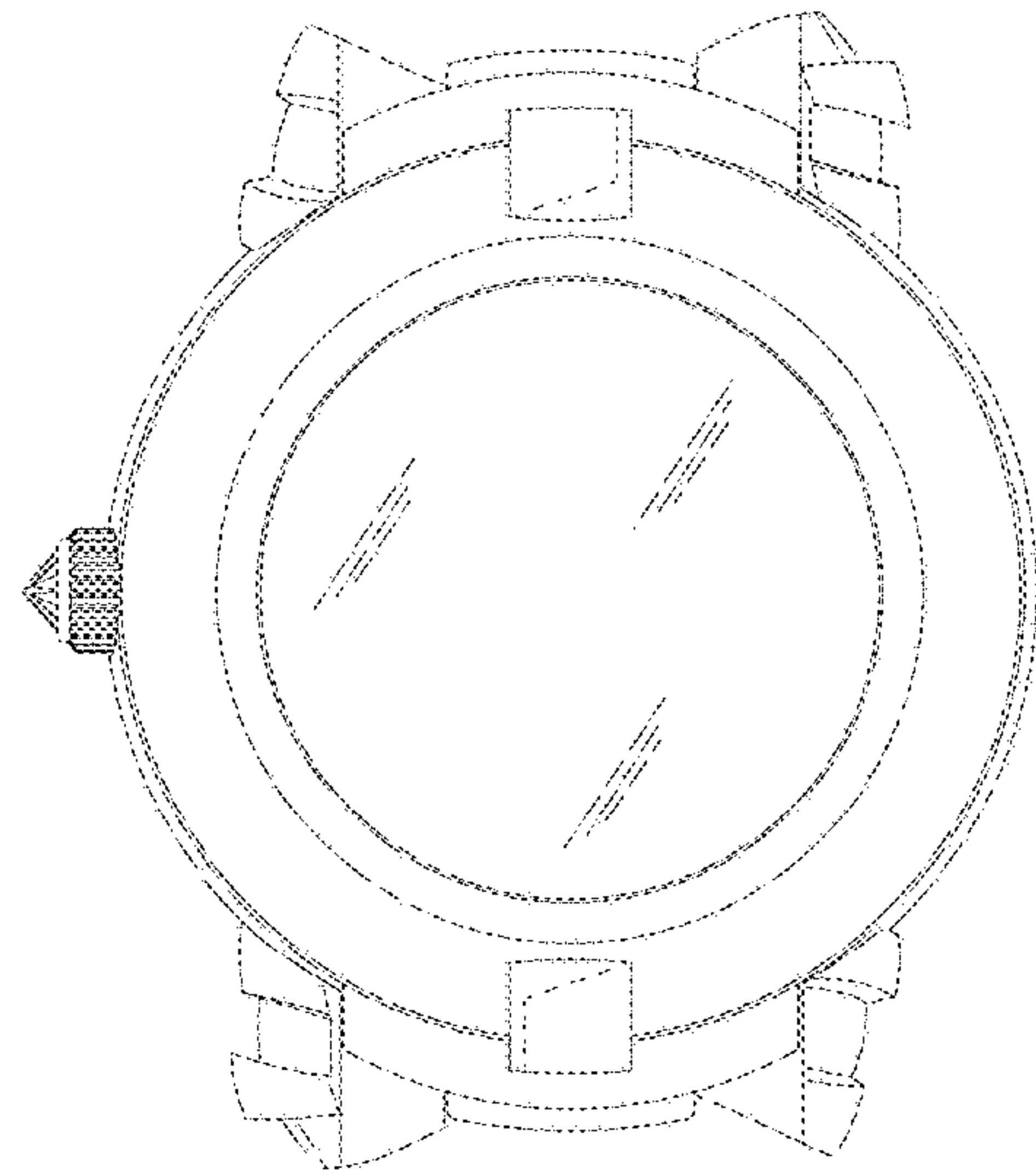


Fig. 2

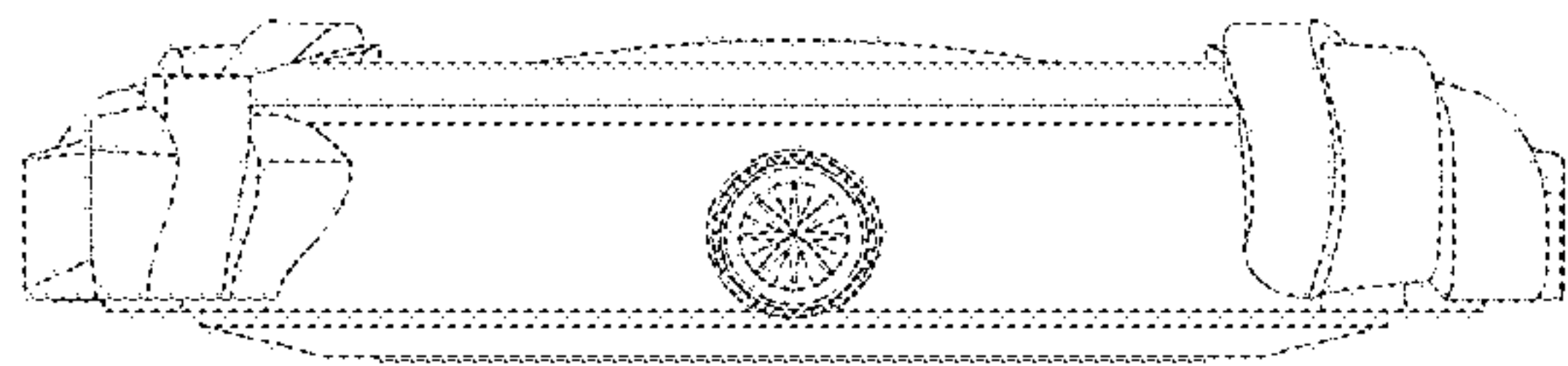


Fig. 3

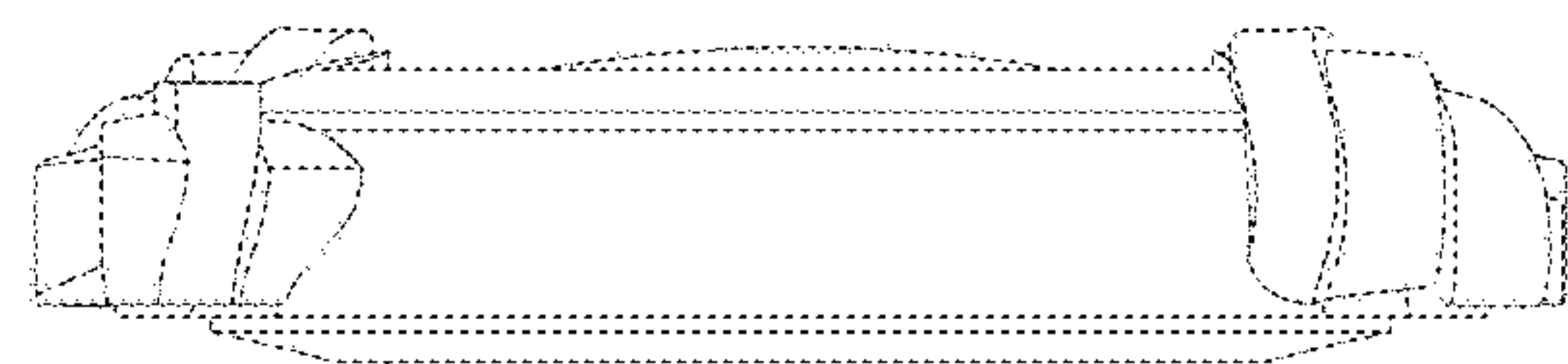


Fig. 4



Fig. 5

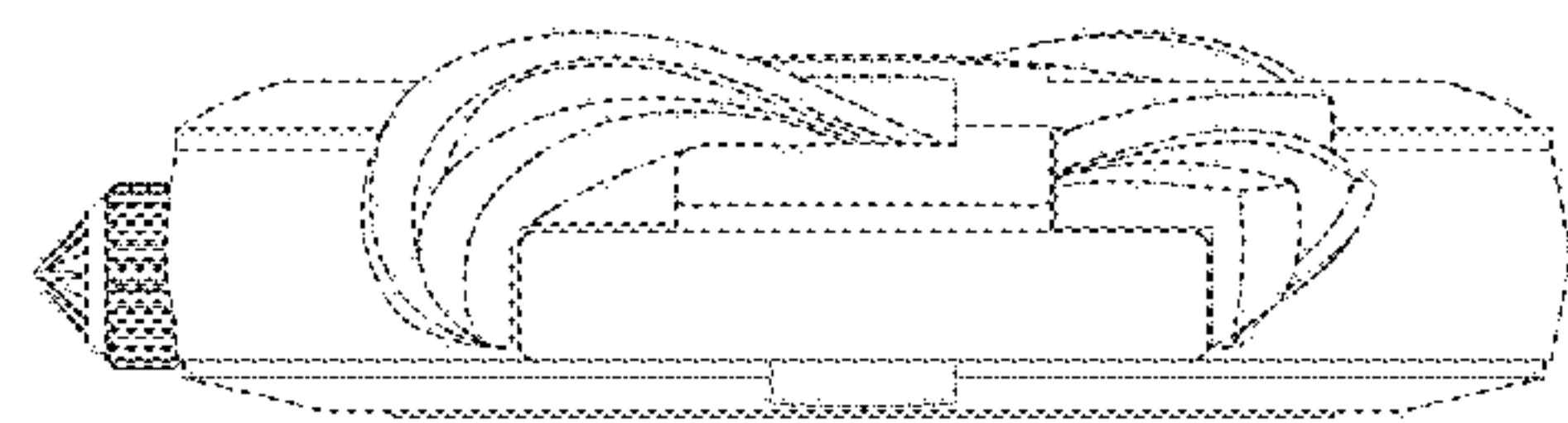


Fig. 6

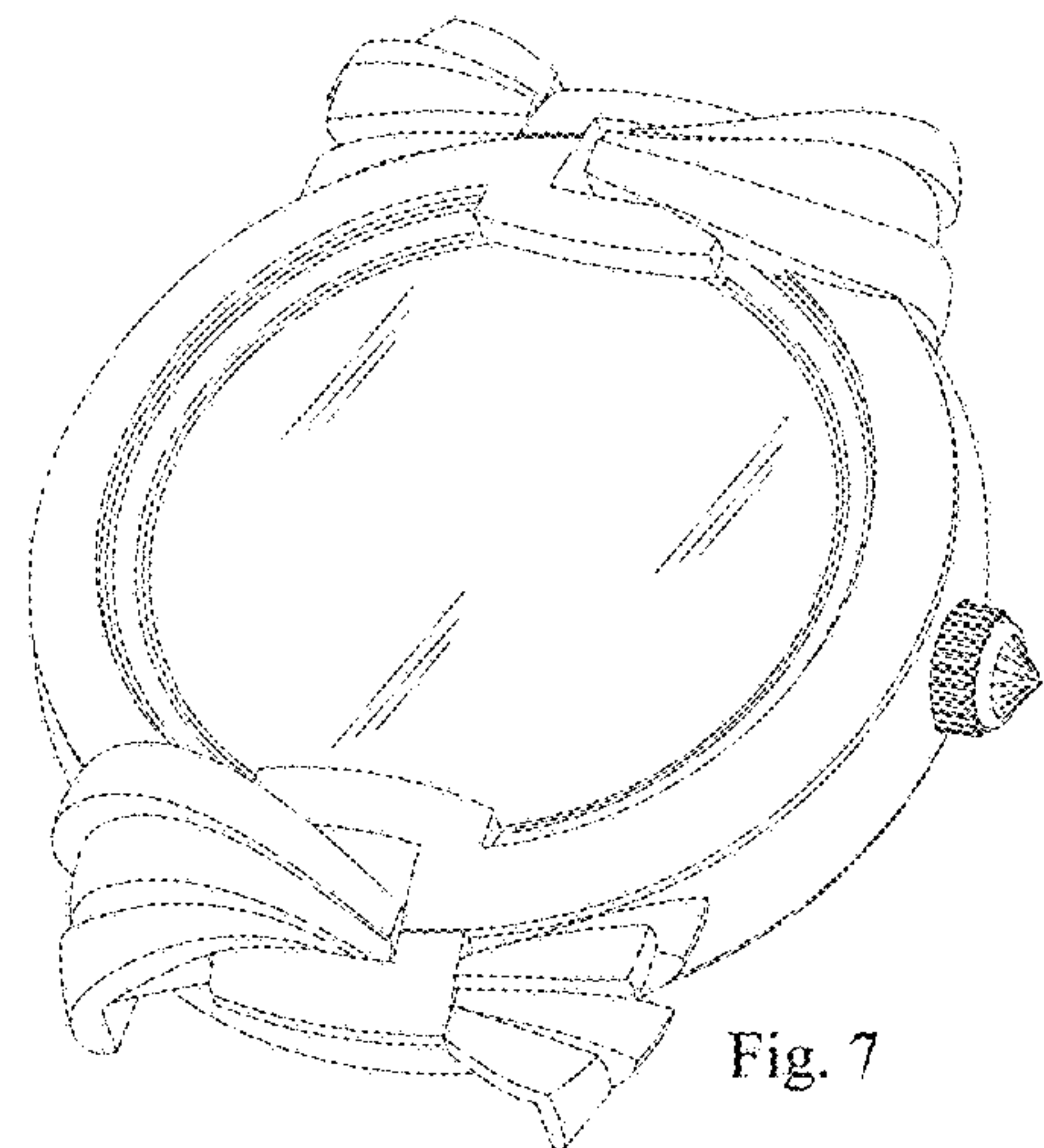


Fig. 7

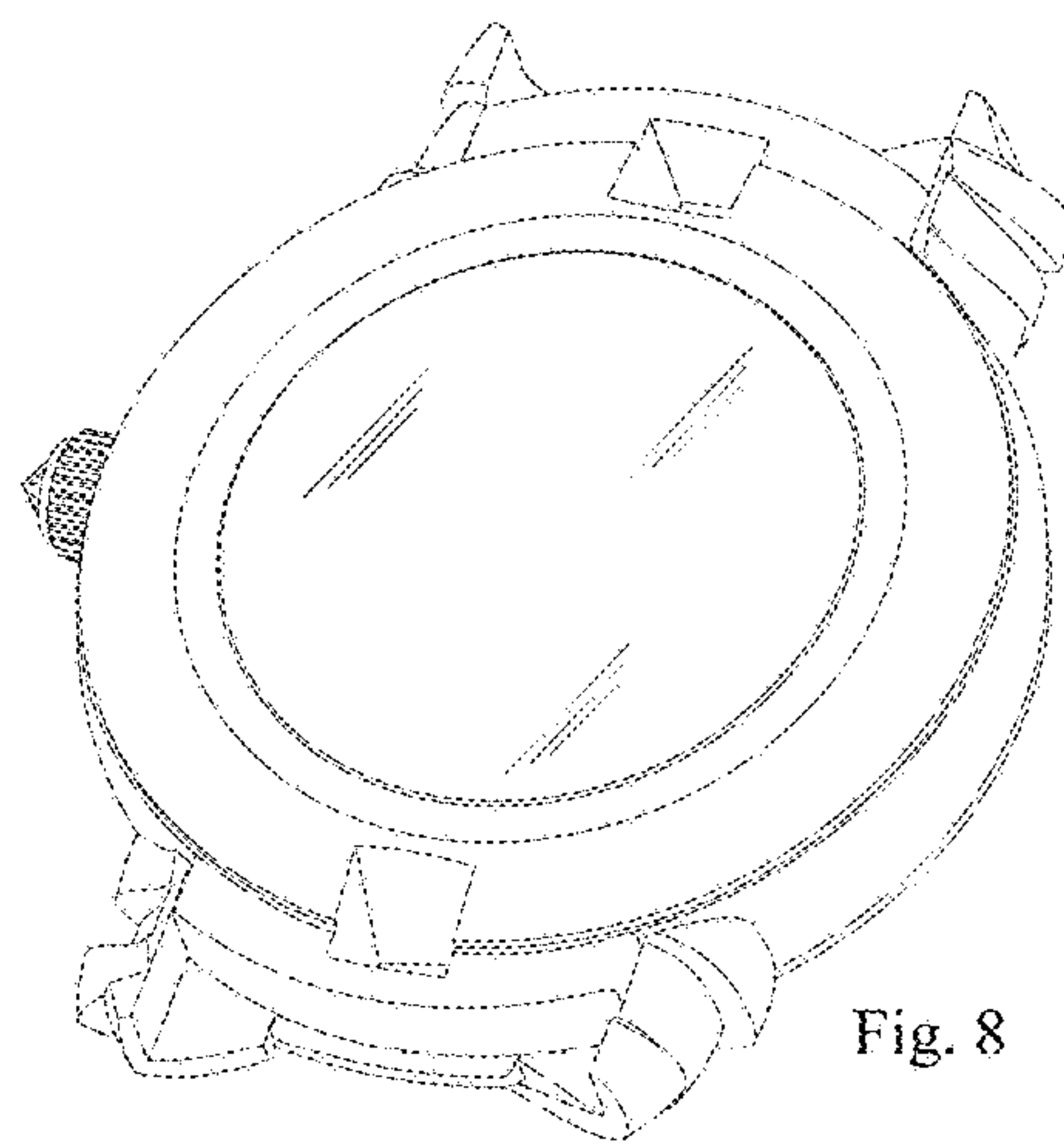


Fig. 8