



US00D812495S

(12) **United States Design Patent** (10) **Patent No.:** **US D812,495 S**
Michele (45) **Date of Patent:** **** Mar. 13, 2018**

(54) **WRISTWATCH**
(71) Applicant: **LUXURY GOODS INTERNATIONAL (L.G.I.) SA,**
Cortailod (CH)
(72) Inventor: **Alessandro Michele,** Rome (IT)
(73) Assignee: **LUXURY GOODS INTERNATIONAL (L.G.I.) SA,**
Cortailod (CH)
(**) Term: **15 Years**
(21) Appl. No.: **29/560,160**
(22) Filed: **Apr. 4, 2016**
(30) **Foreign Application Priority Data**
Oct. 8, 2015 (CH) 141859
(51) **LOC (11) Cl.** **10-02**
(52) **U.S. Cl.**
USPC **D10/30**
(58) **Field of Classification Search**
USPC D10/30-39, 129, 132; D24/167, 186;
D11/3, 86
CPC G04B 19/12; G04B 19/16
See application file for complete search history.

D453,688 S * 2/2002 Bodino D10/32
D494,874 S * 8/2004 Jorgensen D10/32
D530,225 S * 10/2006 Wunderman D10/32
D530,229 S * 10/2006 Wunderman D10/32
D567,675 S * 4/2008 Giannini D10/31
D660,184 S * 5/2012 Calce D10/32
D772,731 S * 11/2016 Michele D10/39

OTHER PUBLICATIONS

Gucci Lucite Watch 1970s | posted at auctions.bidsquare.com No posting date given, Vintage 1970s watch [online][site visited Oct. 11, 2017]. Available from Internet: <<https://auctions.bidsquare.com/view-auctions/catalog/id/562/lot/199787>>.*

* cited by examiner

Primary Examiner — Sandra S Snapp
Assistant Examiner — Katherine Glennon
(74) *Attorney, Agent, or Firm* — Sughrue Mion, PLLC

(56) **References Cited**
U.S. PATENT DOCUMENTS
2,553,089 A * 5/1951 Holder G04B 37/005
224/170
D224,913 S * 10/1972 Maroni D10/32
D311,879 S * 11/1990 Tanaka D10/129
D336,865 S * 6/1993 Besson D10/128
D435,223 S * 12/2000 Bodino D10/32

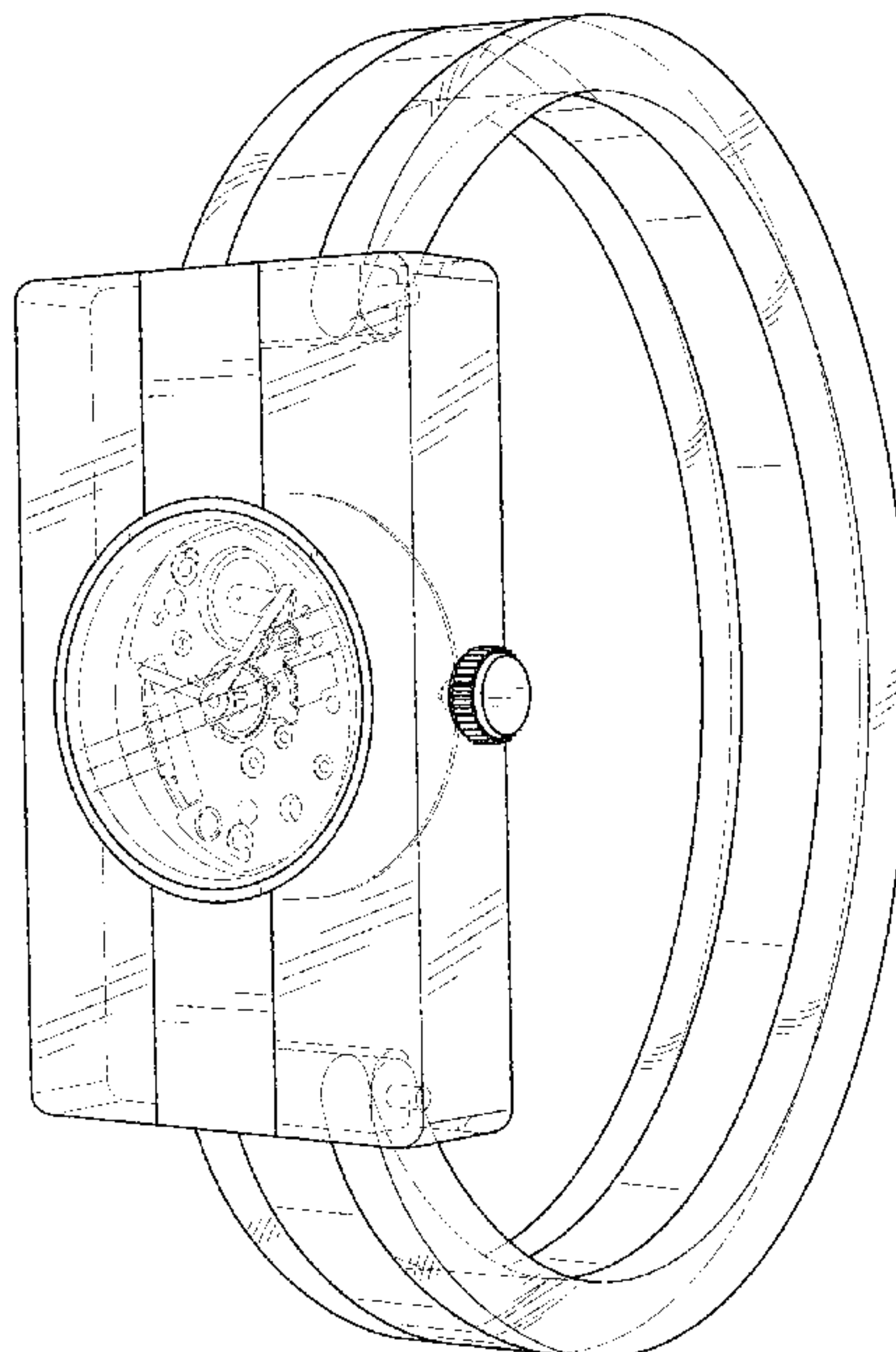
(57) **CLAIM**

The ornamental design for a wristwatch, as shown and described.

DESCRIPTION

FIG. 1 is a perspective view of a wristwatch showing my design;
FIG. 2 is a front view thereof;
FIG. 3 is a rear view thereof;
FIG. 4 is a left side view thereof;
FIG. 5 is a right side view thereof;
FIG. 6 is a top view thereof; and,
FIG. 7 is a bottom view thereof.

1 Claim, 7 Drawing Sheets



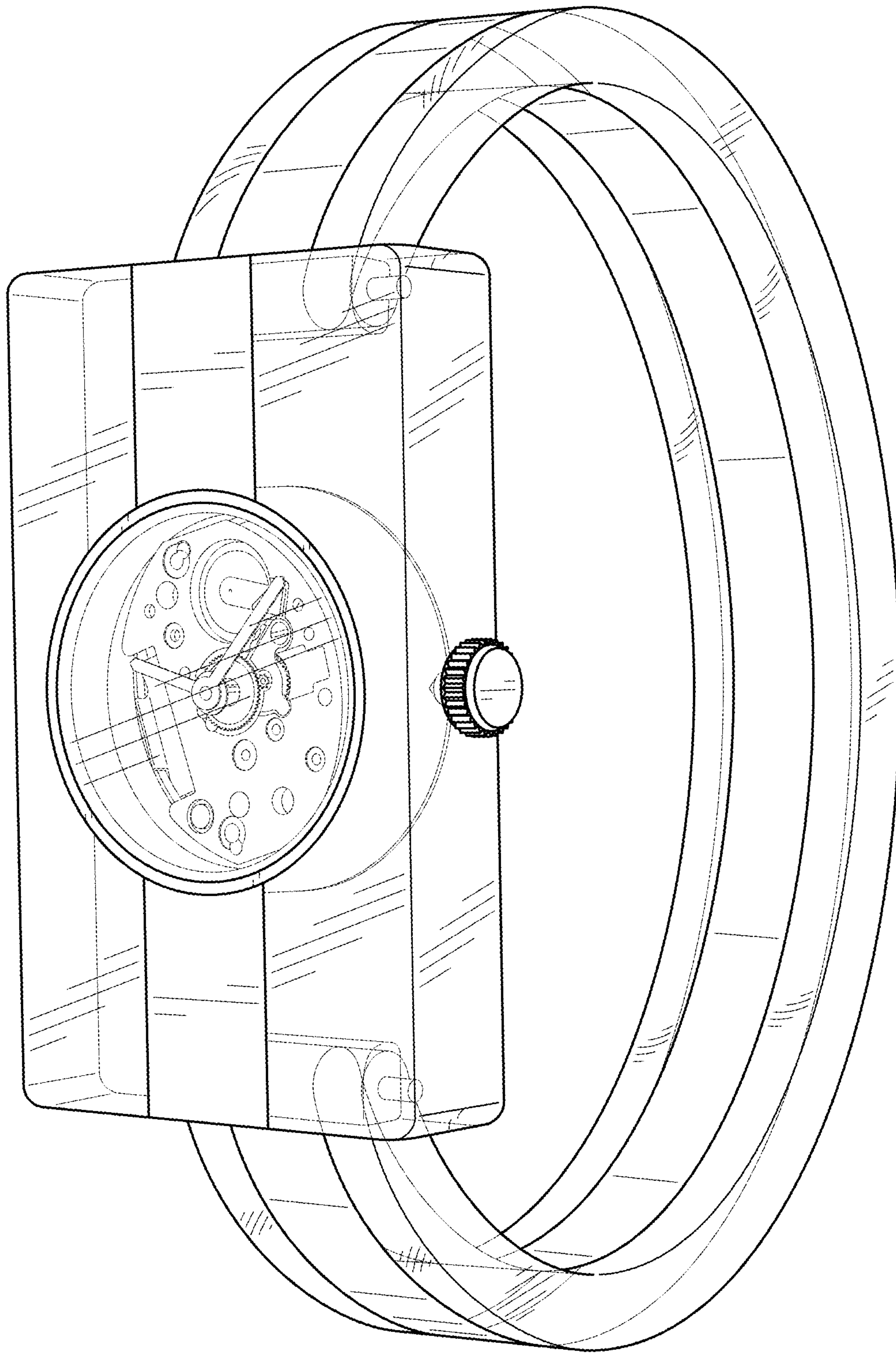


FIG. 1

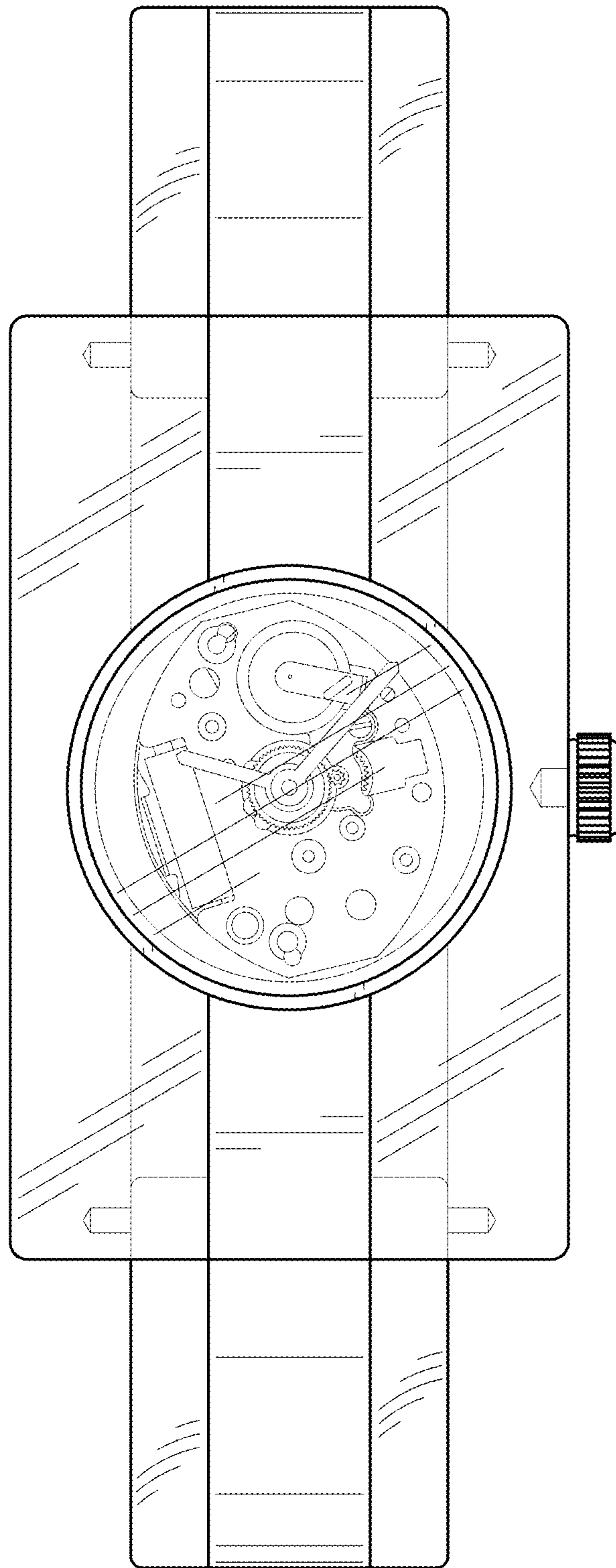


FIG. 2

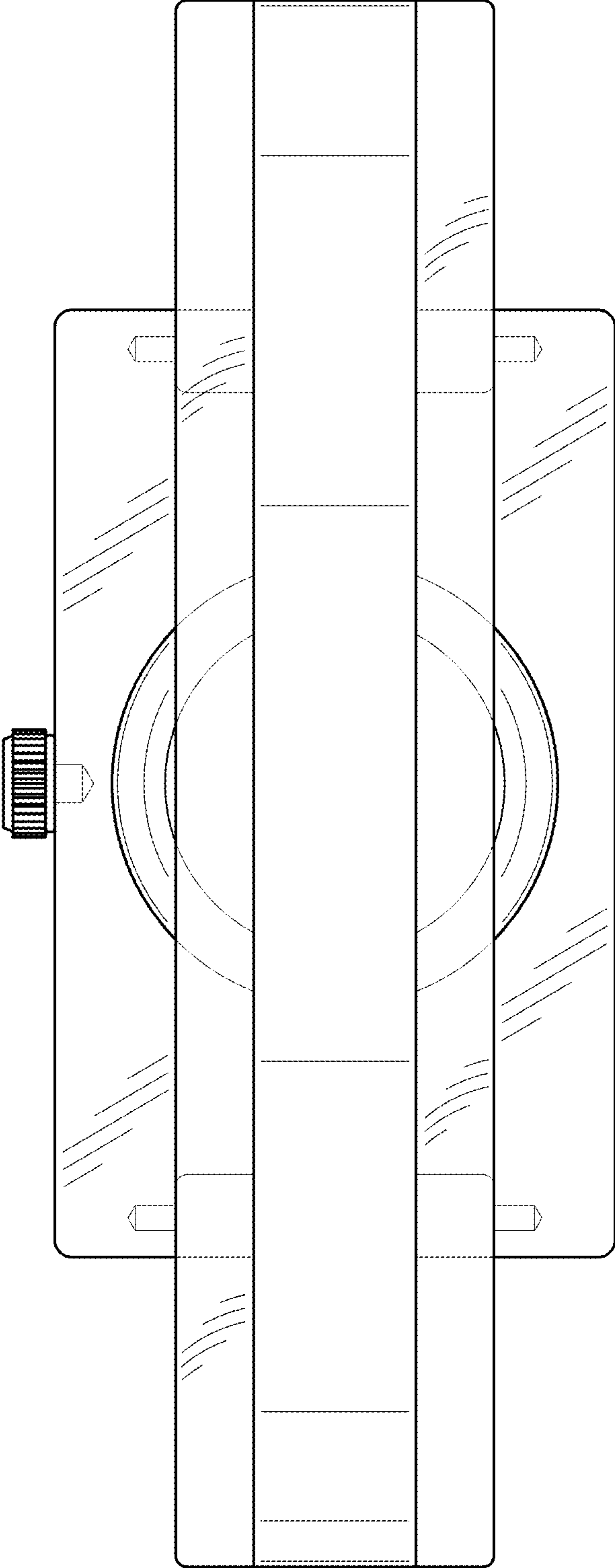


FIG. 3

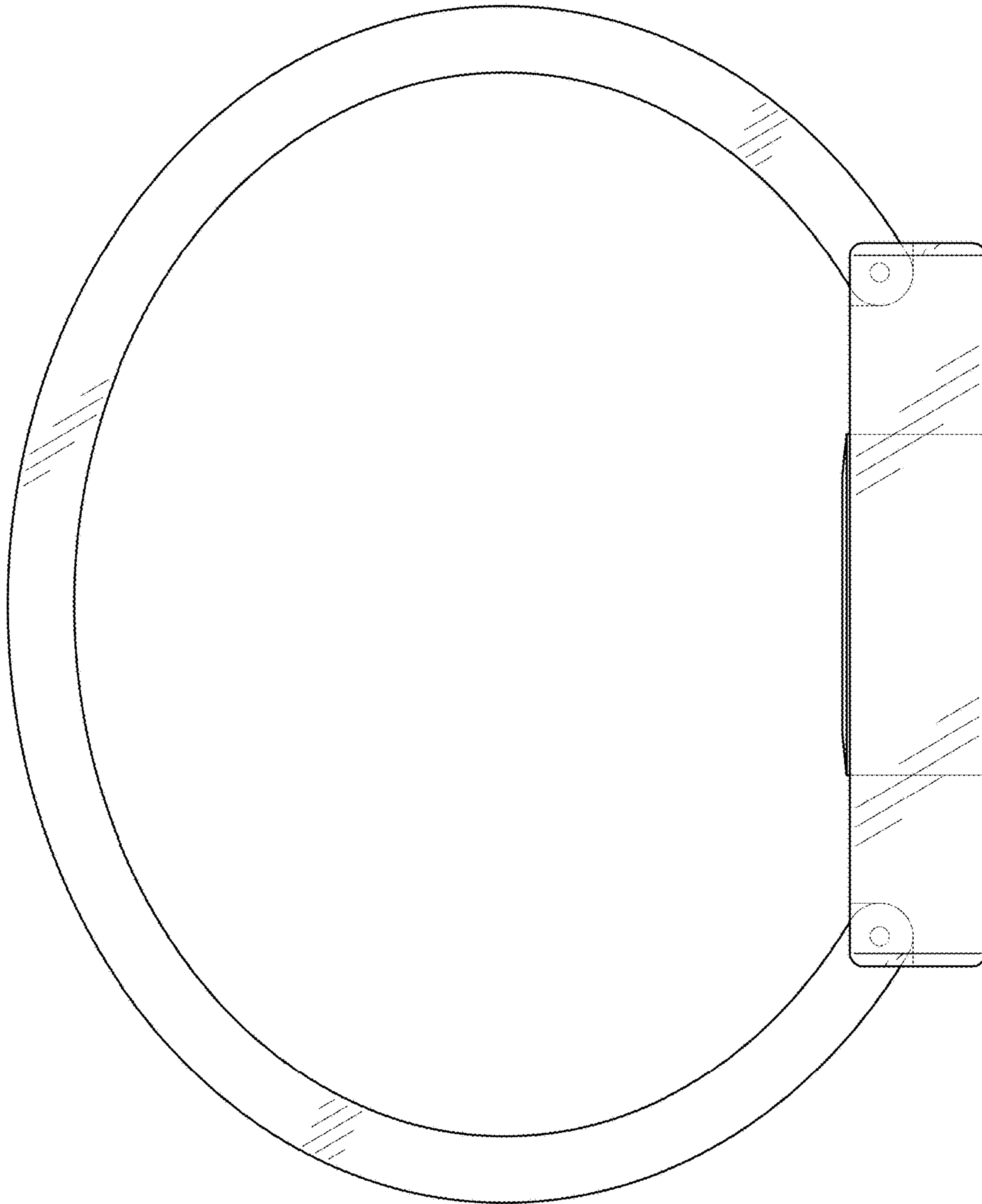


FIG. 4

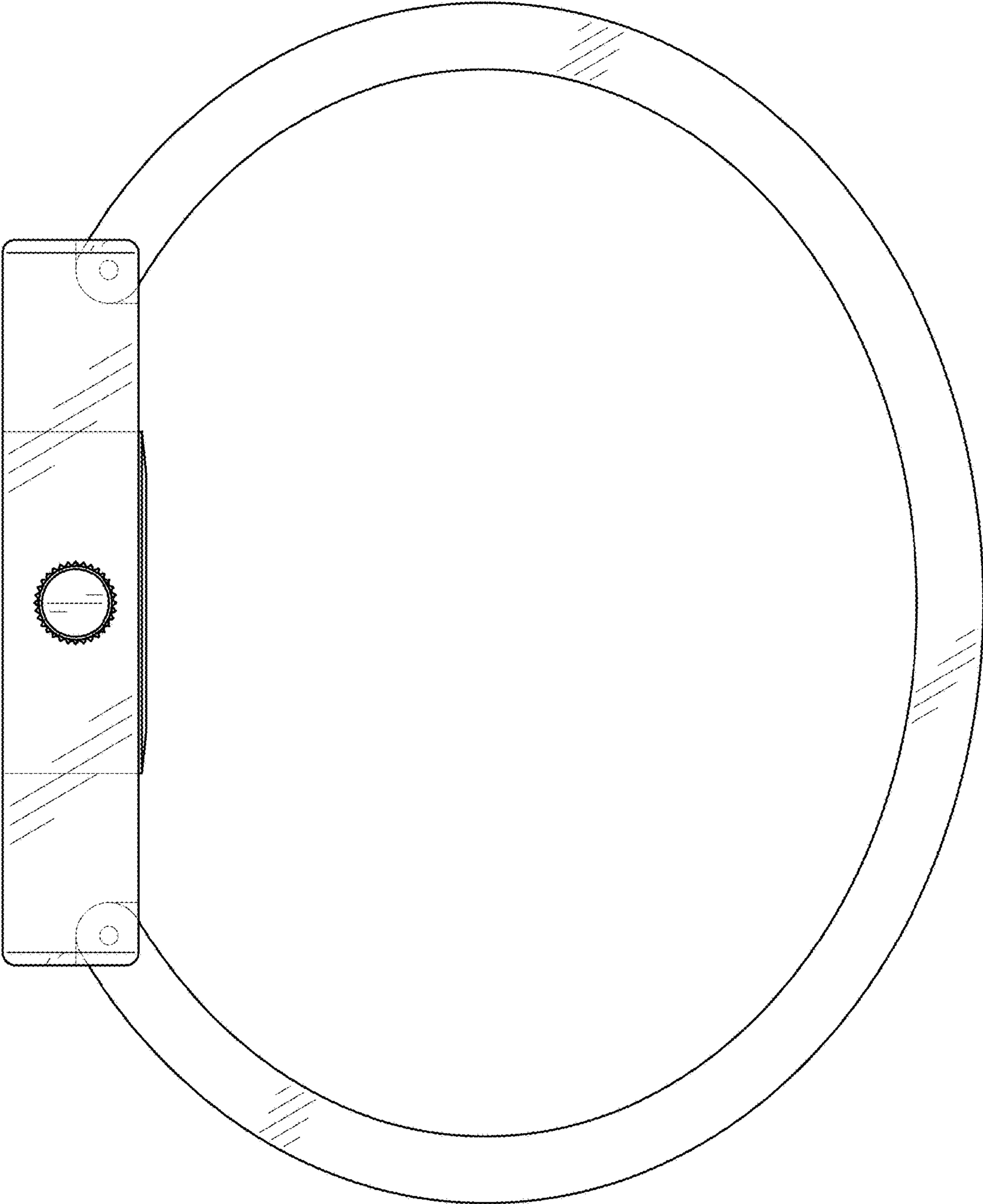


FIG. 5

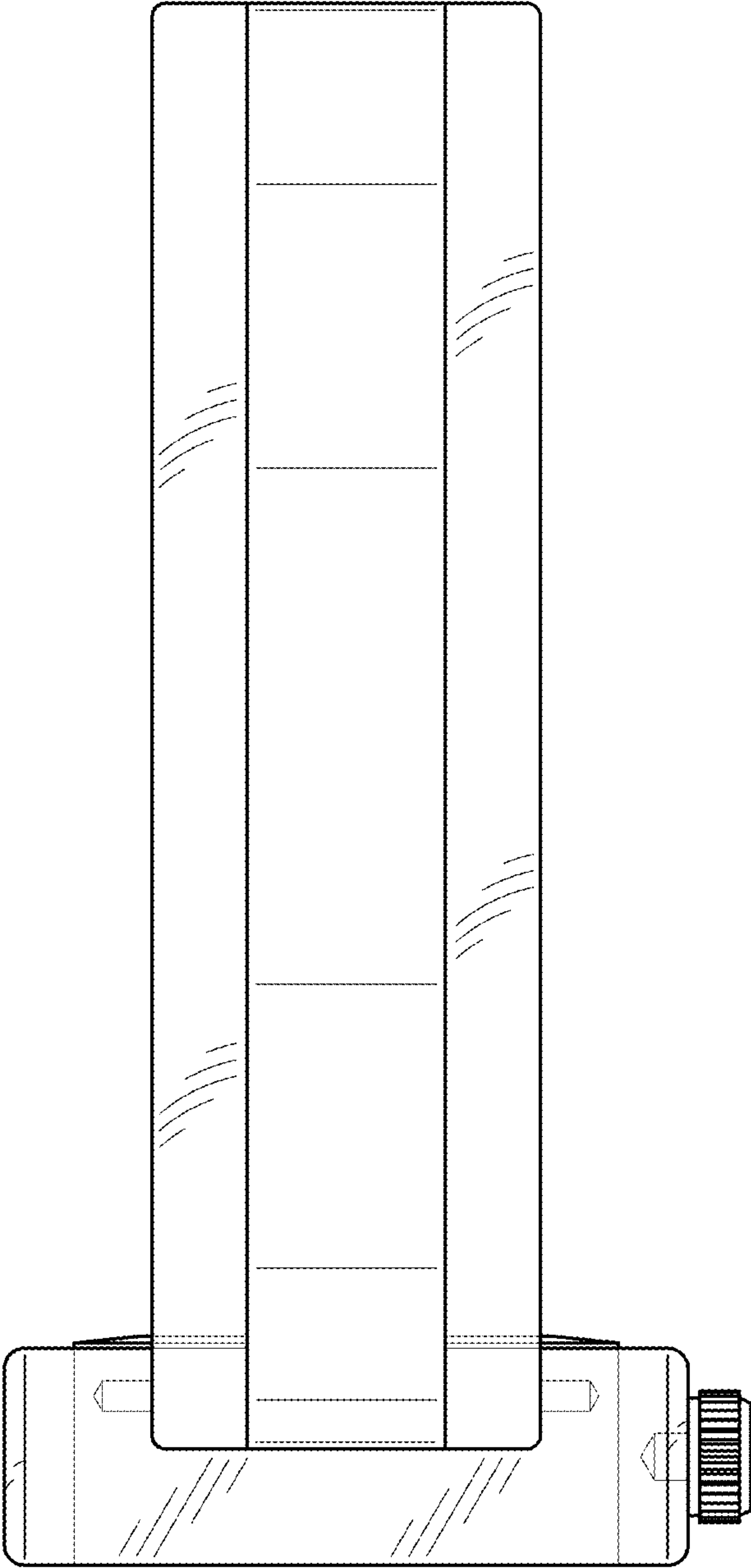


FIG. 6

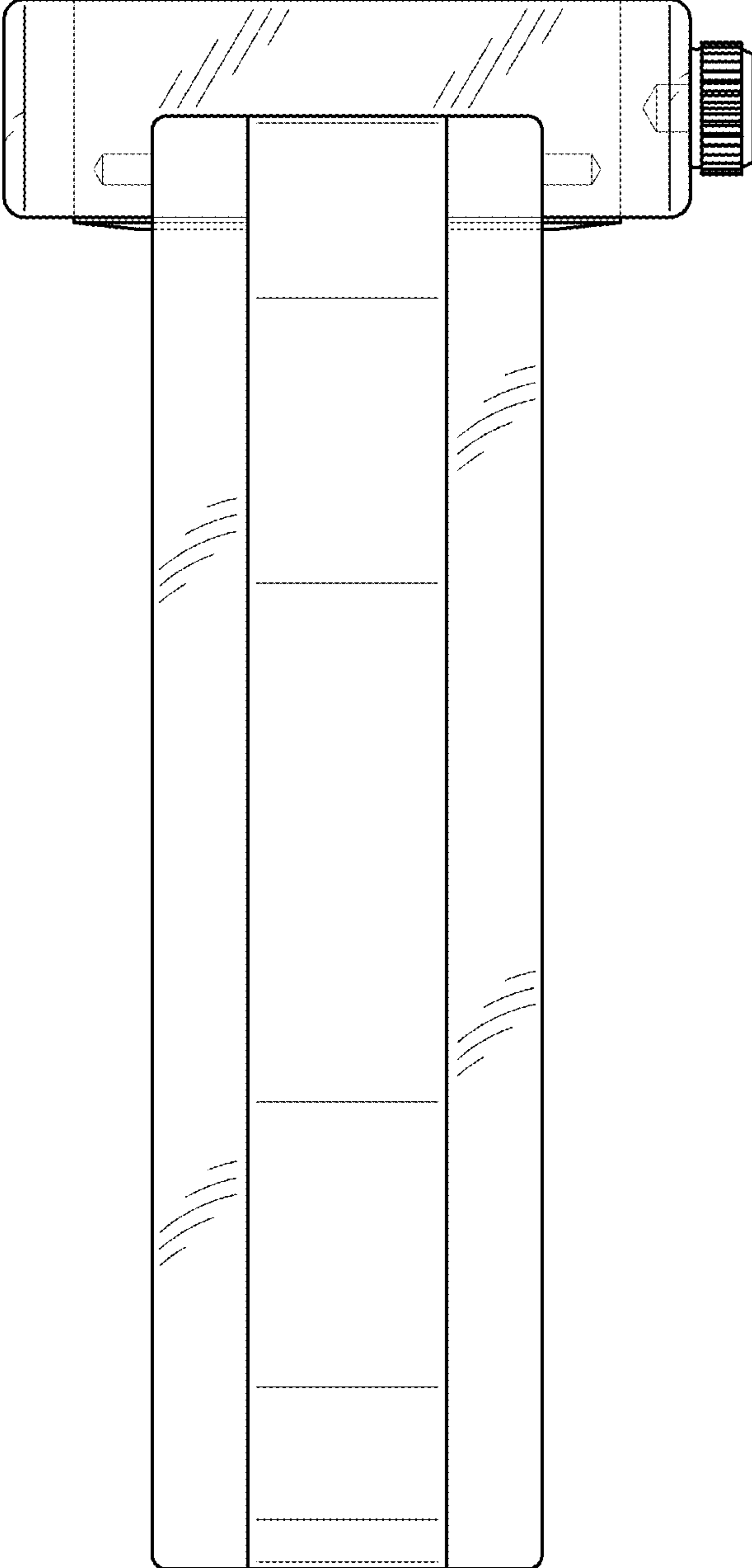


FIG. 7