



US00D812488S

(12) **United States Design Patent**
Chang et al.

(10) **Patent No.:** **US D812,488 S**
(45) **Date of Patent:** **** Mar. 13, 2018**

(54) **RECLOSABLE BAG WITH TEARABLE HEADER**

(71) Applicant: **Inteplast Group, Ltd.**, Livingston, NJ (US)

(72) Inventors: **Li-Yung Chang**, Morristown, NJ (US);
Hsiaolei Li, Warren, MI (US)

(73) Assignee: **Inteplast Group Corporation**,
Livingston, NJ (US)

(**) Term: **15 Years**

(21) Appl. No.: **29/553,292**

(22) Filed: **Jan. 29, 2016**

(51) **LOC (11) Cl.** **09-05**

(52) **U.S. Cl.**
USPC **D9/702**

(58) **Field of Classification Search**
USPC D9/702-714, 720-722, 414, 434-435,
D9/447, 516-517, 440, 424, 430-432;
(Continued)

(56) **References Cited**

U.S. PATENT DOCUMENTS

4,824,261 A 4/1989 Provost
4,860,899 A 8/1989 McKee
(Continued)

Primary Examiner — Abraham Bahta

(74) *Attorney, Agent, or Firm* — Senniger Powers LLP

(57) **CLAIM**

The ornamental design for a reclosable bag with tearable header, as shown and described.

DESCRIPTION

FIG. 1 is a perspective view of a reclosable bag with a tearable header on a header pack showing my new design;

FIG. 2 is the perspective view of FIG. 1 with the header pack removed;

FIG. 3 is a front view thereof;

FIG. 4 is a right side view thereof;

FIG. 5 is a top view thereof;

FIG. 6 is a rear view thereof;

FIG. 7 is a left side view thereof;

FIG. 8 is a bottom view thereof;

FIG. 9 is a front elevation view of FIG. 1 wherein the breakaway portions show no specific width;

FIG. 10 is a perspective view of a second embodiment of the reclosable bag with tearable header;

FIG. 11 is a front view thereof;

FIG. 12 is a right side view thereof;

FIG. 13 is a top view thereof;

FIG. 14 is a rear view thereof;

FIG. 15 is a left side view thereof;

FIG. 16 is a bottom view thereof;

FIG. 17 is a perspective view of a third embodiment of the reclosable bag with tearable header on a header pack;

FIG. 18 is the perspective view of FIG. 17 with the header pack removed;

FIG. 19 is a front view thereof;

FIG. 20 is a right side view thereof;

FIG. 21 is a top view thereof;

FIG. 22 is a rear view thereof;

FIG. 23 is a left side view thereof;

FIG. 24 is a bottom view thereof;

FIG. 25 is a front elevation of FIG. 17 wherein the breakaway portions show no specific width;

FIG. 26 is a perspective view of another embodiment of a bag;

FIG. 27 is a front view thereof;

FIG. 28 is a right side view thereof;

FIG. 29 is a top view thereof;

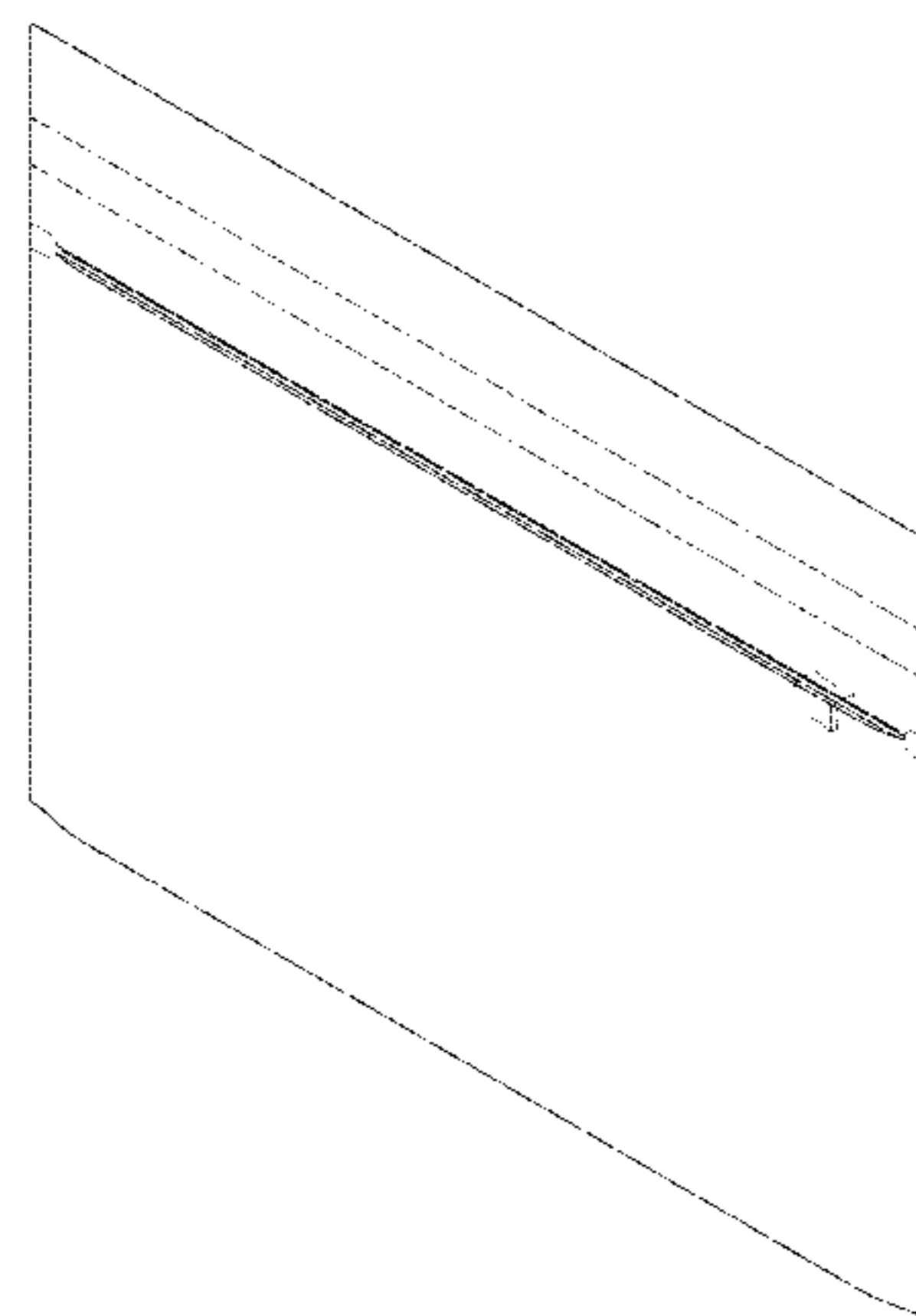
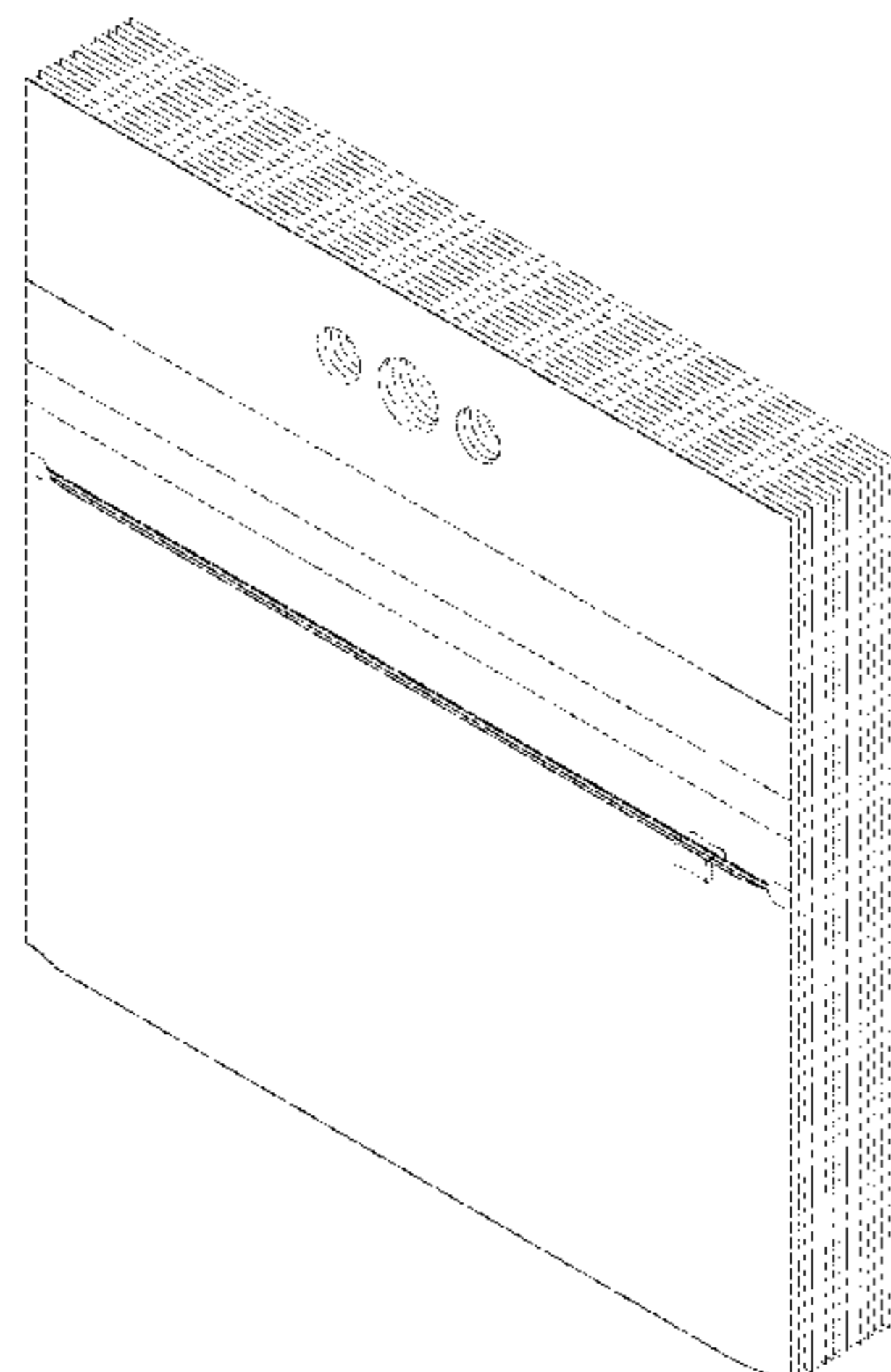
FIG. 30 is a rear view thereof;

FIG. 31 is a left side view thereof; and,

FIG. 32 is a bottom view thereof.

The elements shown in broken line in a dashed, long-short-short-long pattern form no part of the claimed design. The lines of horizontal dashes that appear as broken lines of dashes of substantially equal length indicate lines of perforations, which are aspects of the claimed design. For the bags of FIGS. 1-8, 9, 17-24, and 25, the solid horizontal lines

(Continued)



that extend inward from the sides of the bag in vertical alignment with the top line of perforations illustrate slits in the respective bag.

1 Claim, 32 Drawing Sheets

(58) **Field of Classification Search**

USPC D24/118, 207; 383/61.1, 80-81, 901, 383/203, 107, 119-120, 123, 67; 222/107, 92, 206, 215; 604/408, 403; 220/495.03, 675; 215/381-385, 400; 347/85, 88, 84, 214; D3/202; 428/34.3; 128/DIG. 24; 426/106; D18/43, 56
 CPC B65D 33/00; B65D 33/001; B65D 33/002; B65D 33/08; B65D 41/00; B65D 41/02; B65D 33/24; B65D 33/34; B65D 33/20; B65D 17/04; B65D 17/168; B65D 17/20; B65D 17/24; B65D 65/00; B65D 65/10; A61J 1/00; A61J 1/10

See application file for complete search history.

(56) **References Cited**

U.S. PATENT DOCUMENTS

4,972,657 A 11/1990 McKee
 5,014,852 A 5/1991 Herrington et al.

5,048,692 A 9/1991 Handler et al.
 5,100,000 A 3/1992 Huseman
 5,419,437 A 5/1995 Huseman
 5,577,615 A 11/1996 Wile et al.
 5,682,730 A 11/1997 Dobreski
 5,826,724 A 10/1998 Gebhardt
 5,931,581 A 8/1999 Garberg et al.
 6,149,302 A 11/2000 Taheri
 6,536,951 B1* 3/2003 Sill B29C 66/472
 383/127
 6,877,899 B1* 4/2005 Cannon, Sr. B65D 33/004
 229/70
 7,036,987 B2 5/2006 Crunkleton et al.
 7,097,358 B2 8/2006 Keith et al.
 7,134,788 B2 11/2006 Hsiang
 7,506,487 B2 3/2009 Eads et al.
 7,806,594 B2 10/2010 Trinko
 7,971,787 B2 7/2011 Teraoka et al.
 8,092,088 B2 1/2012 Keith et al.
 D720,002 S* 12/2014 Weidauer D19/1
 8,944,250 B2* 2/2015 Huffer B65D 75/5855
 206/484.2
 9,035,121 B1 5/2015 Goodsell et al.
 9,511,911 B1* 12/2016 Chang B65D 33/34
 2003/0136703 A1 7/2003 Jones et al.
 2006/0072859 A1 4/2006 Melchoir et al.
 2007/0110340 A1 5/2007 Buchman
 2008/0044110 A1 2/2008 Garger
 2009/0229717 A1* 9/2009 Halseth B65D 33/001
 150/165
 2011/0270696 A1 11/2011 Vincent et al.

* cited by examiner

FIG. 1

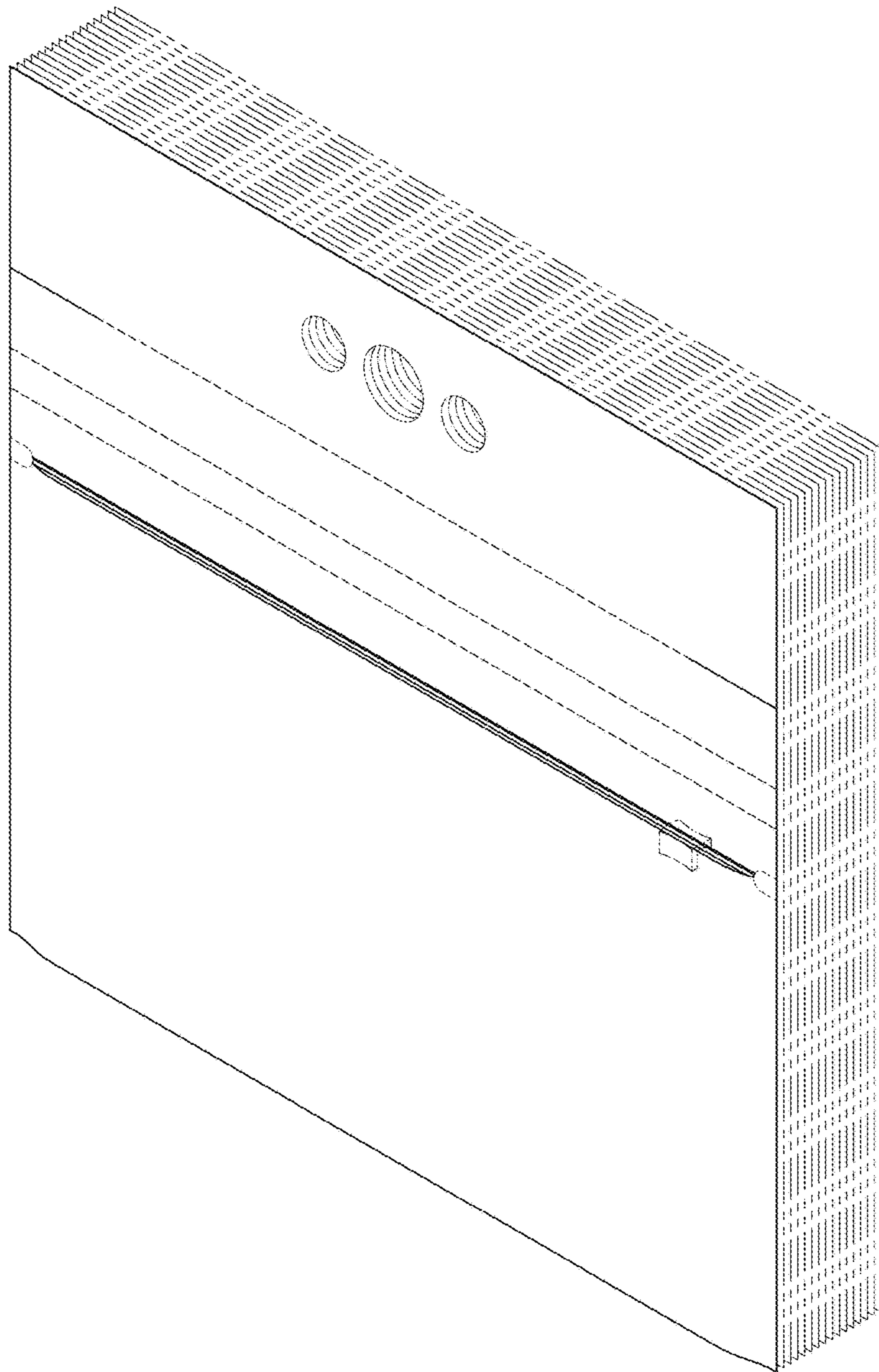


FIG. 2

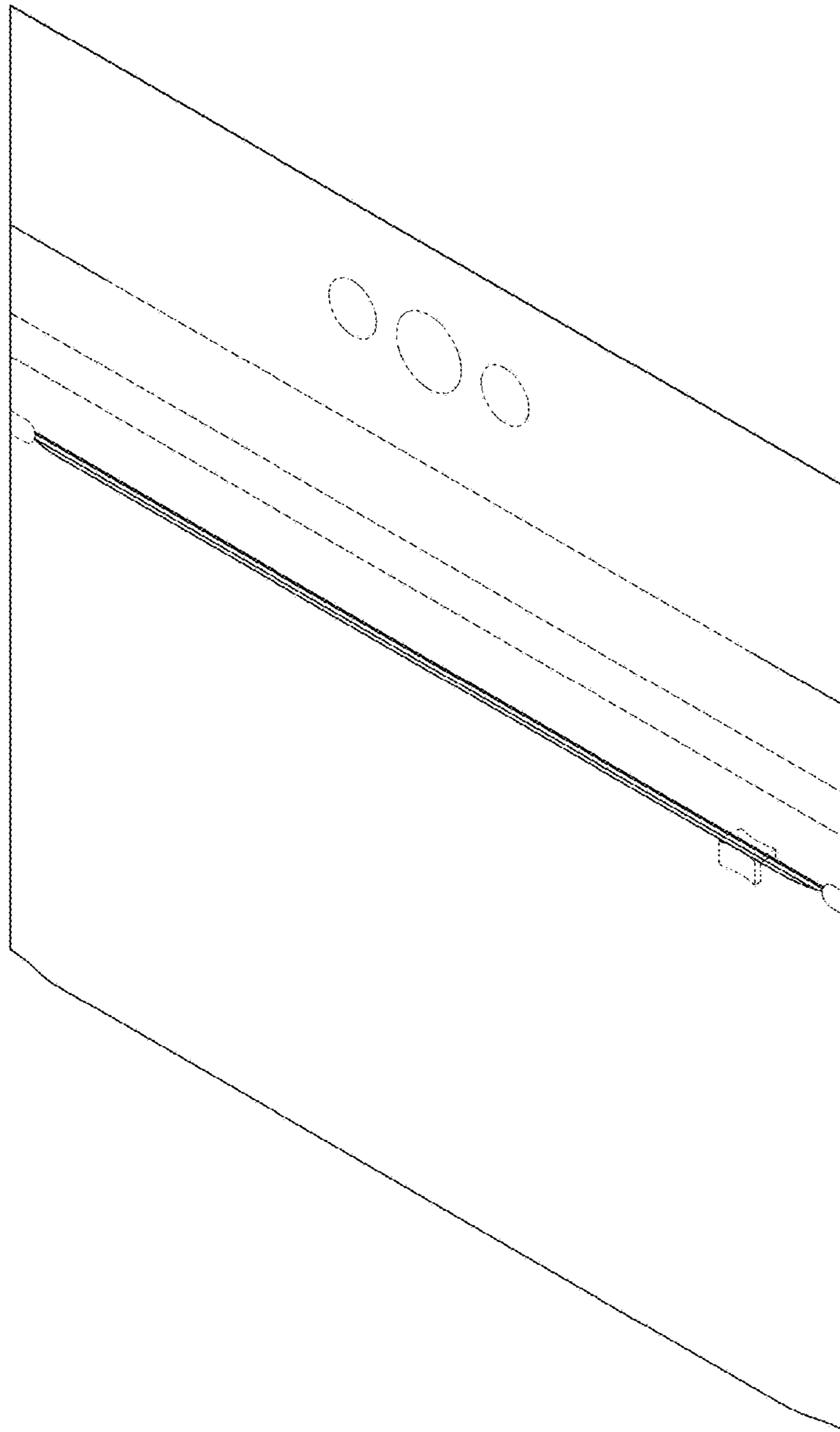


FIG. 3

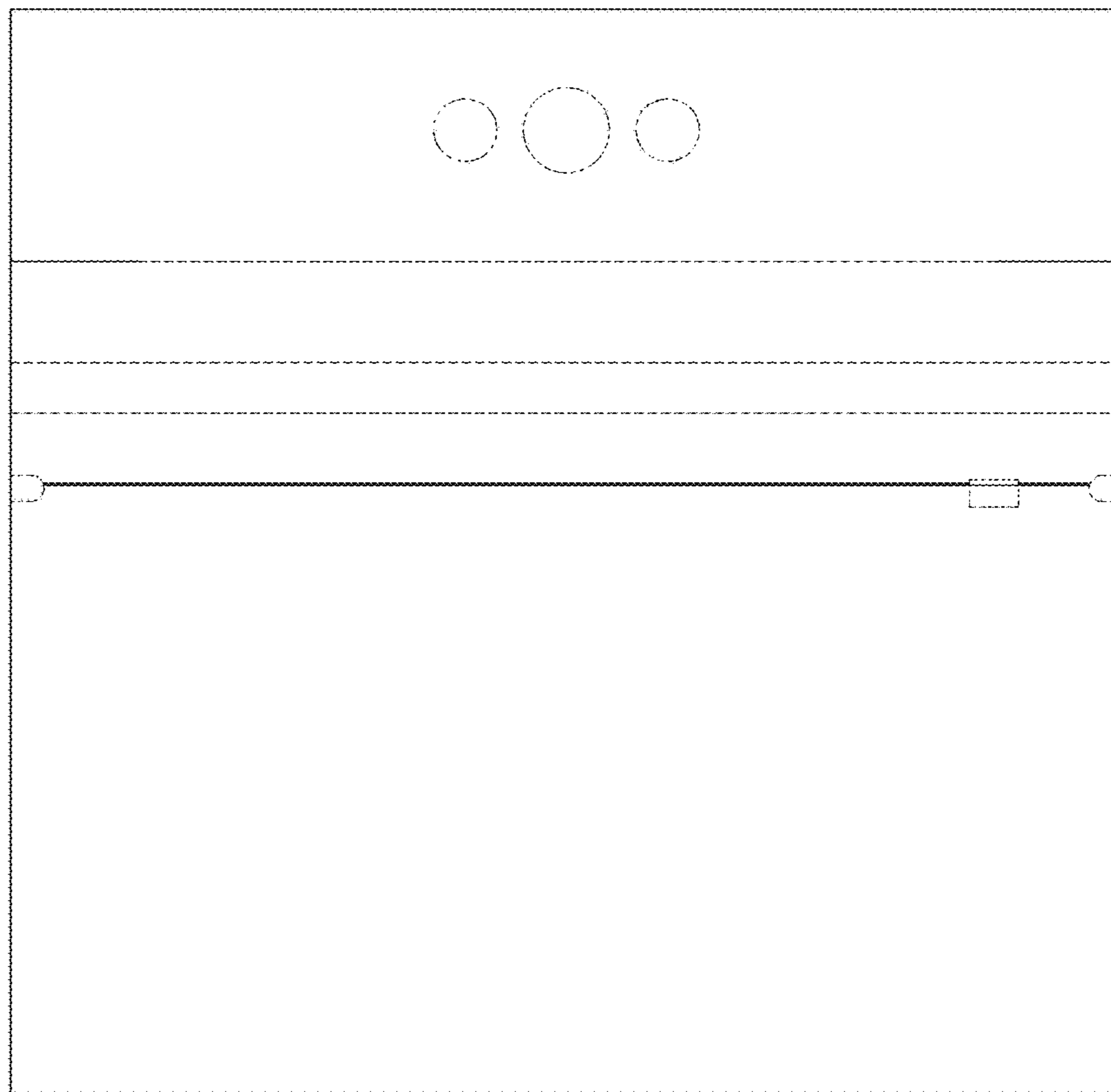
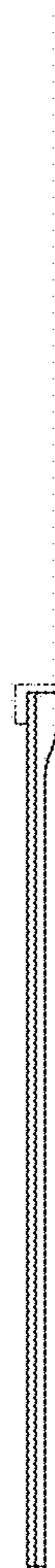


FIG. 4



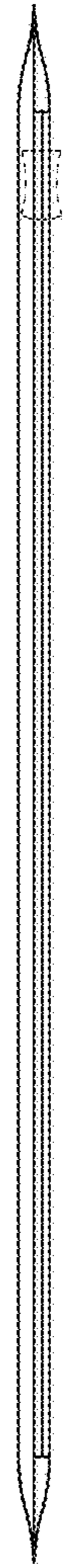


FIG. 5

FIG. 6

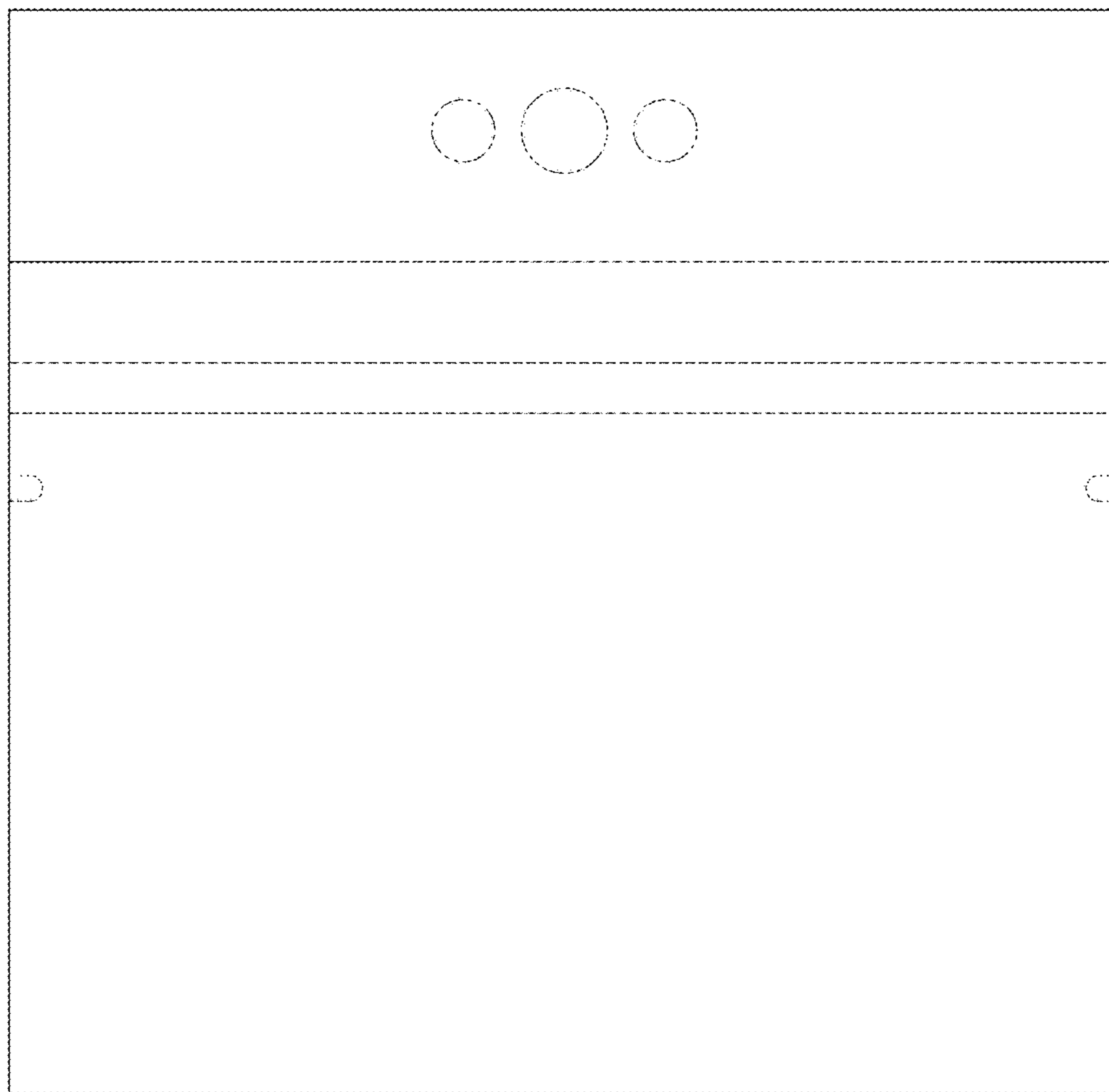
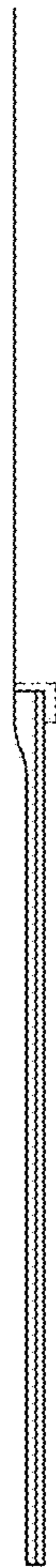


FIG. 7



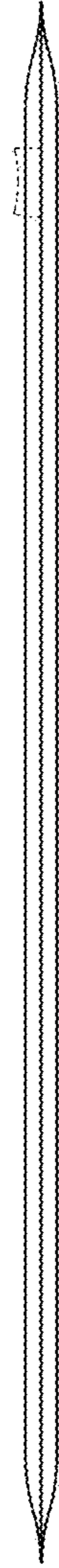


FIG. 8

FIG. 9

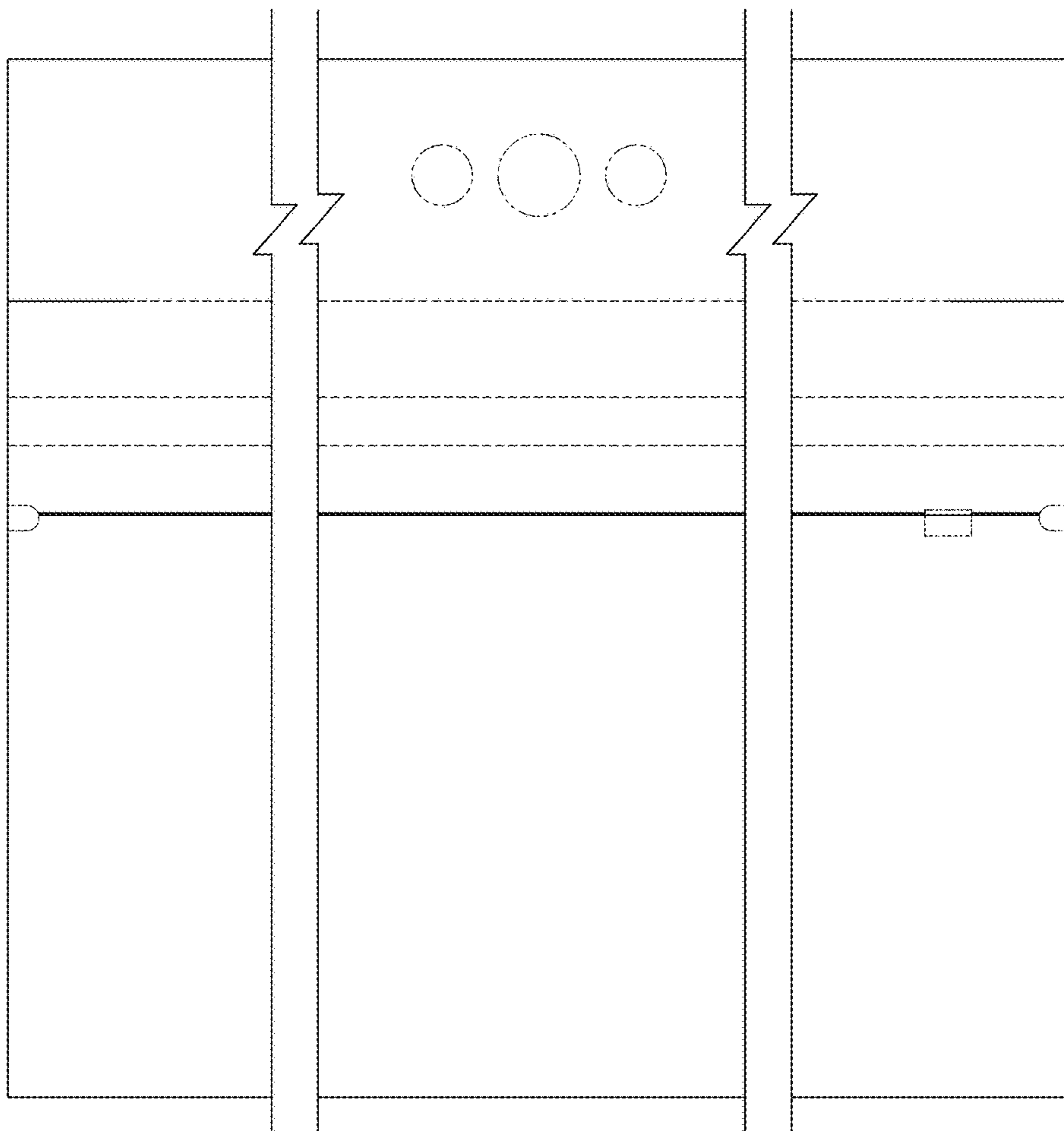
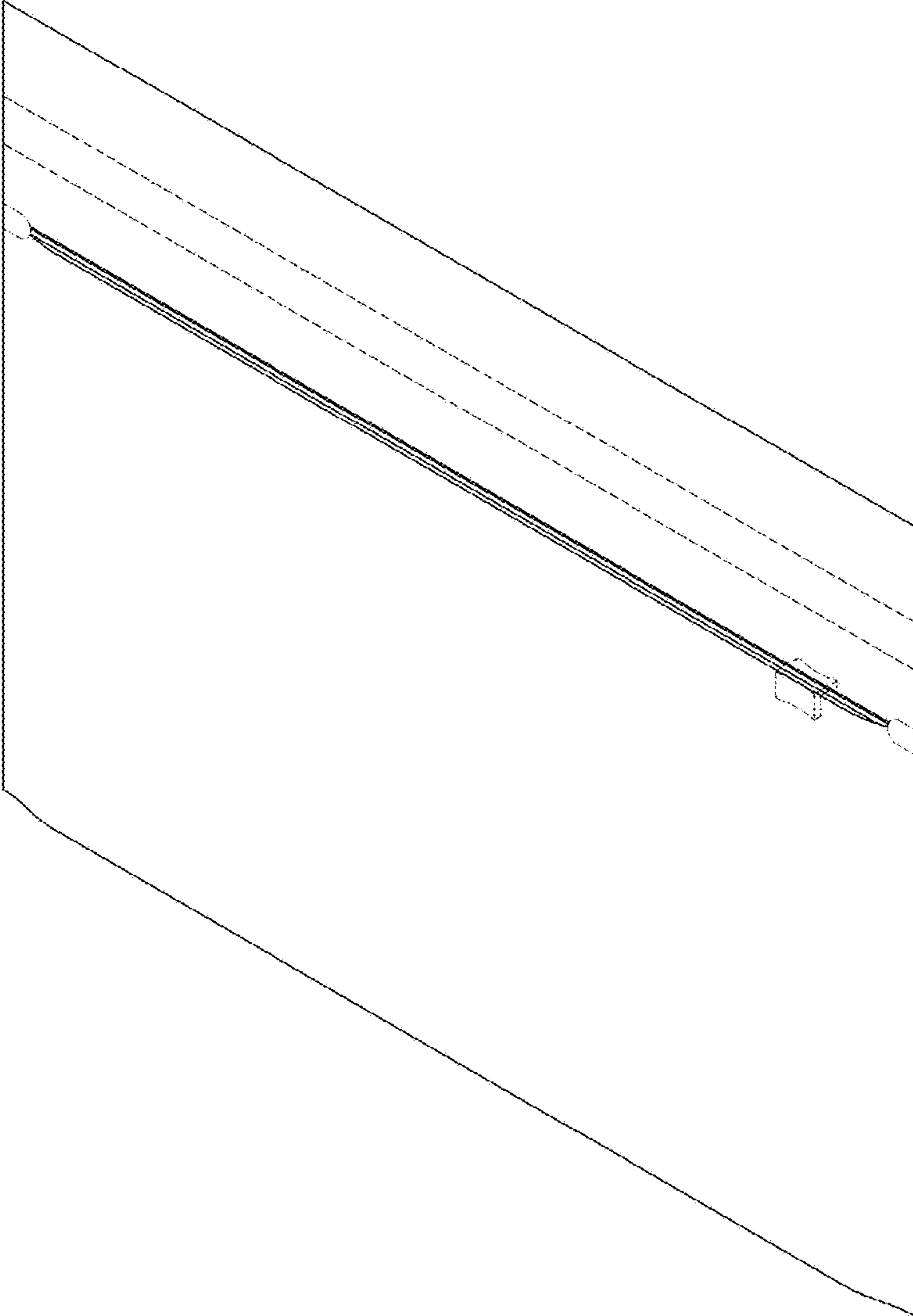


FIG. 10



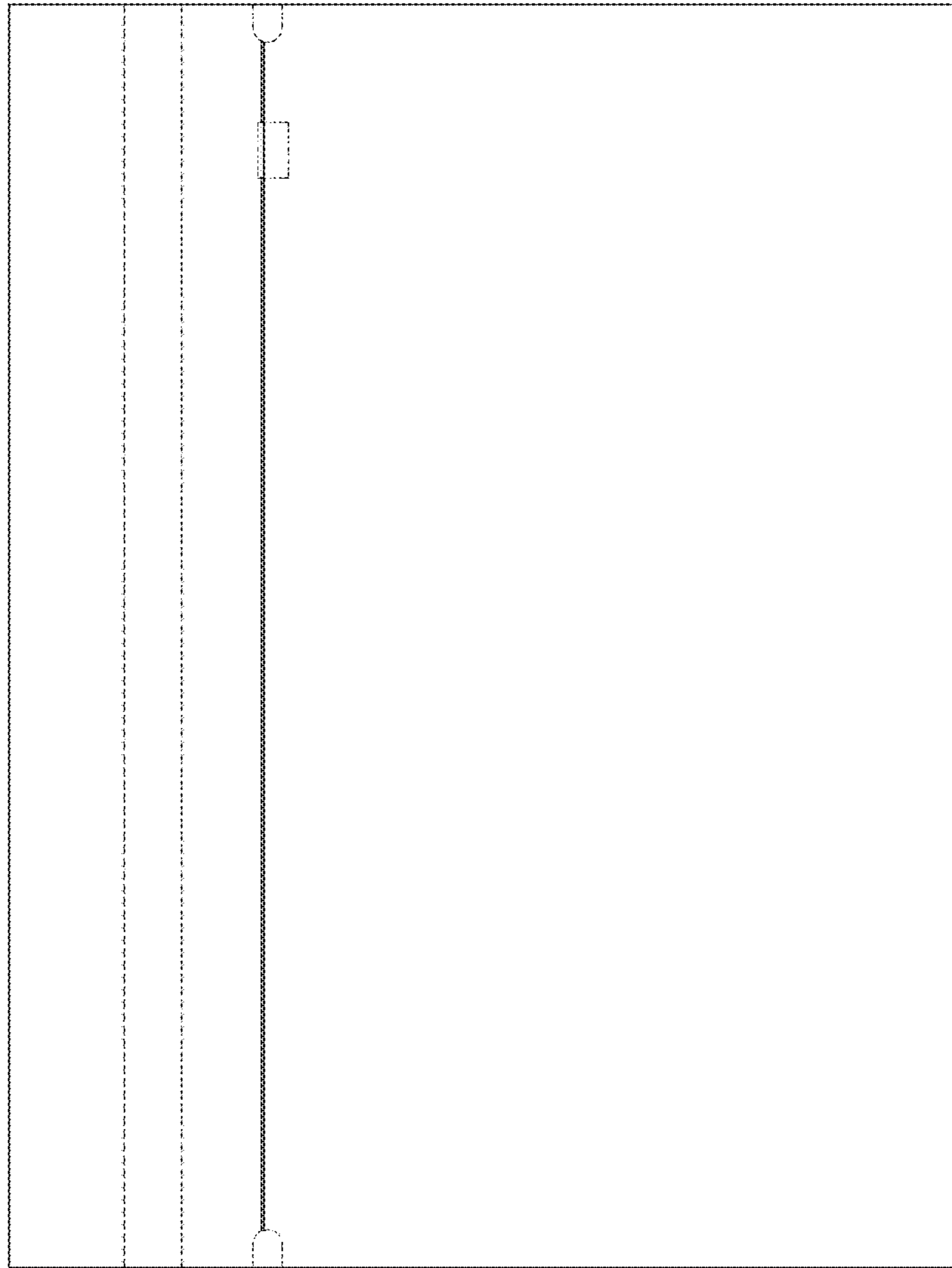
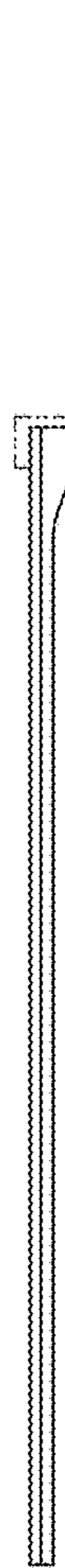


FIG. 11

FIG. 12



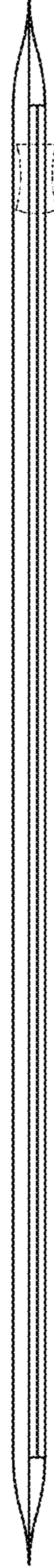


FIG. 13

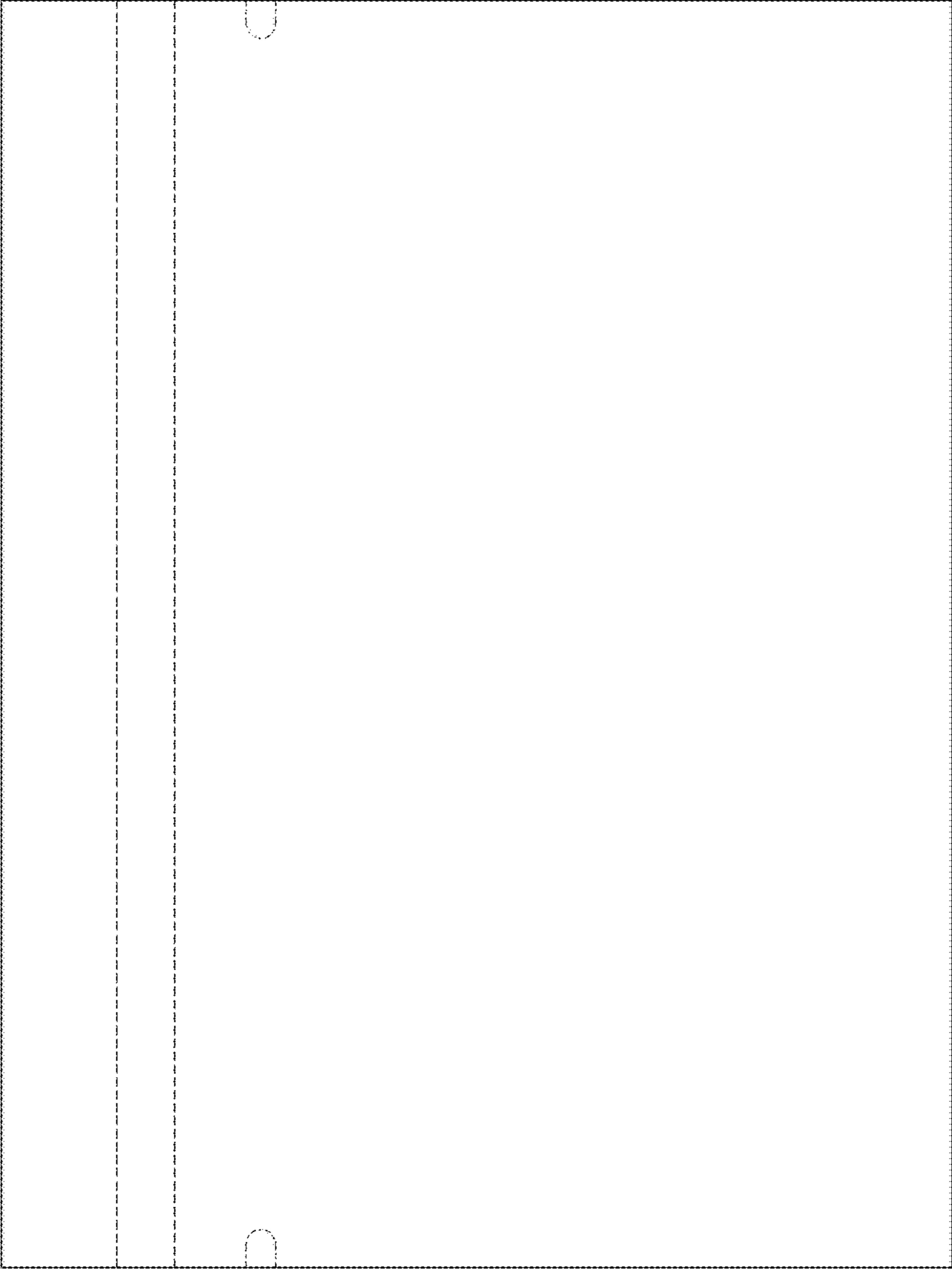


FIG. 14

FIG. 15

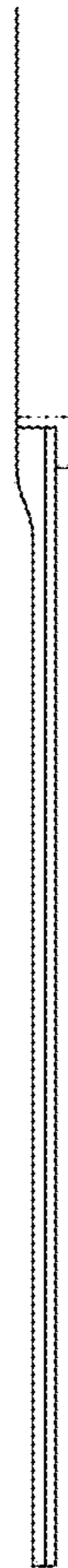


FIG. 16

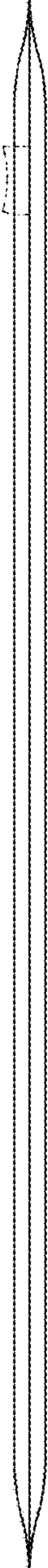


FIG. 17

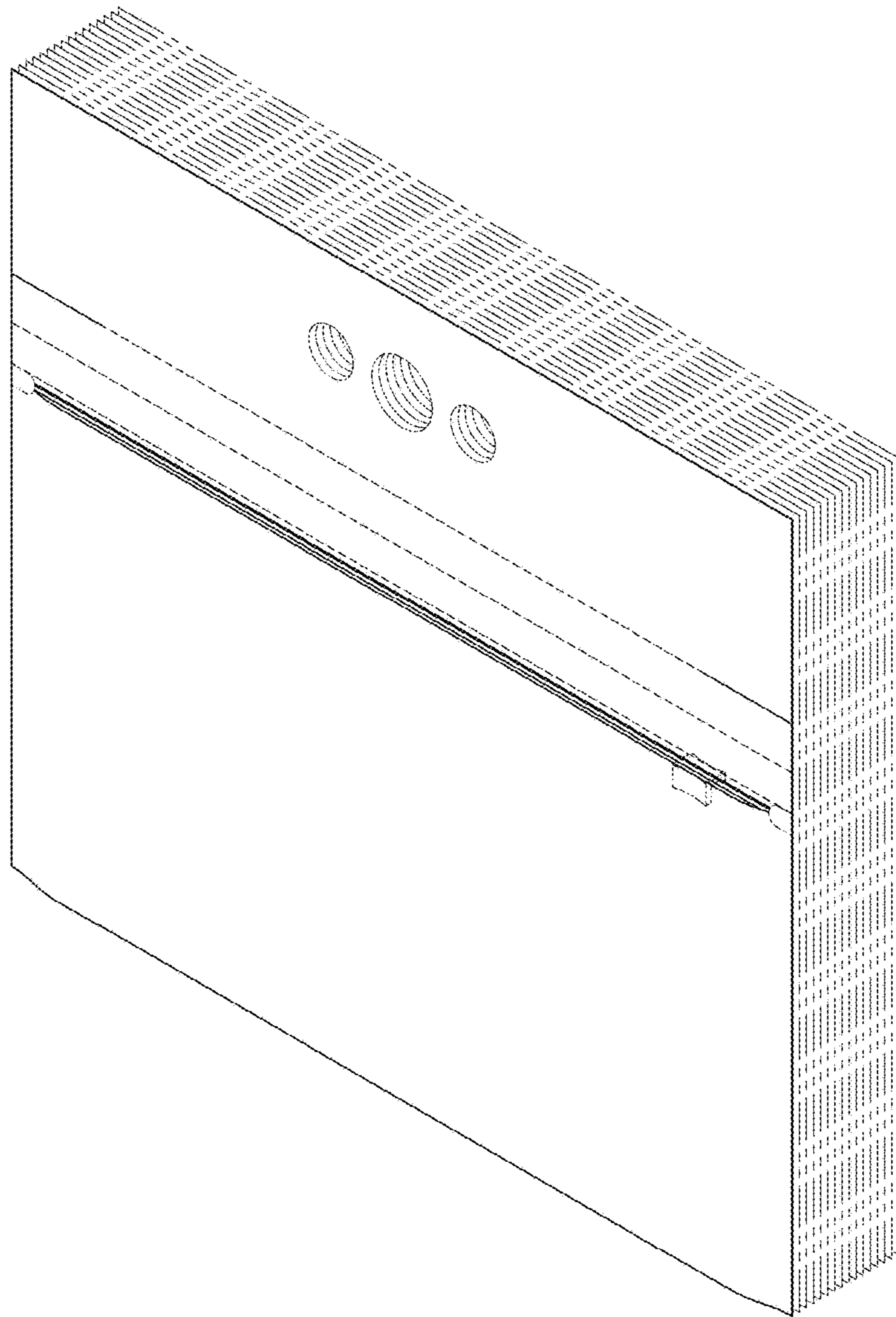


FIG. 18

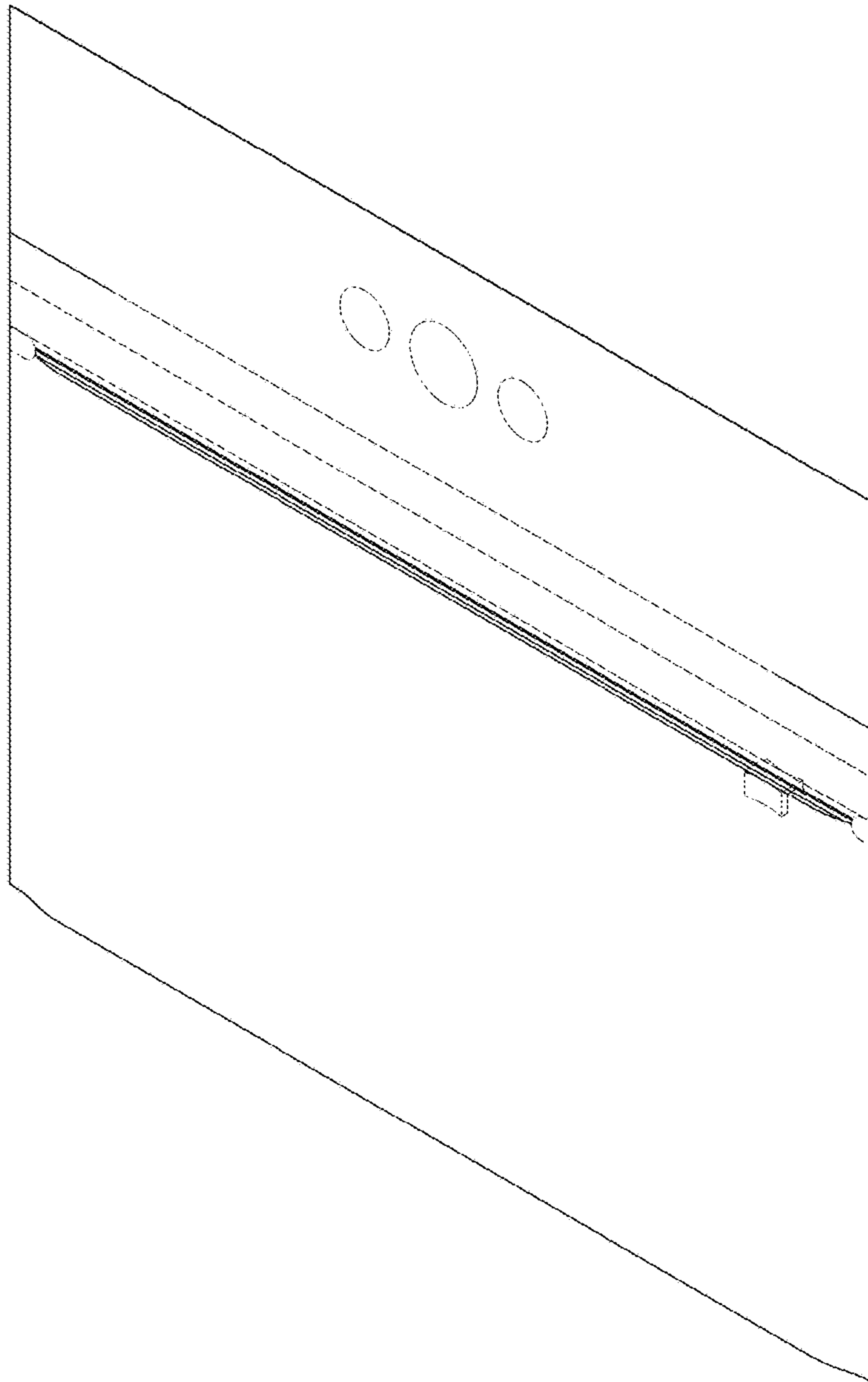


FIG. 19

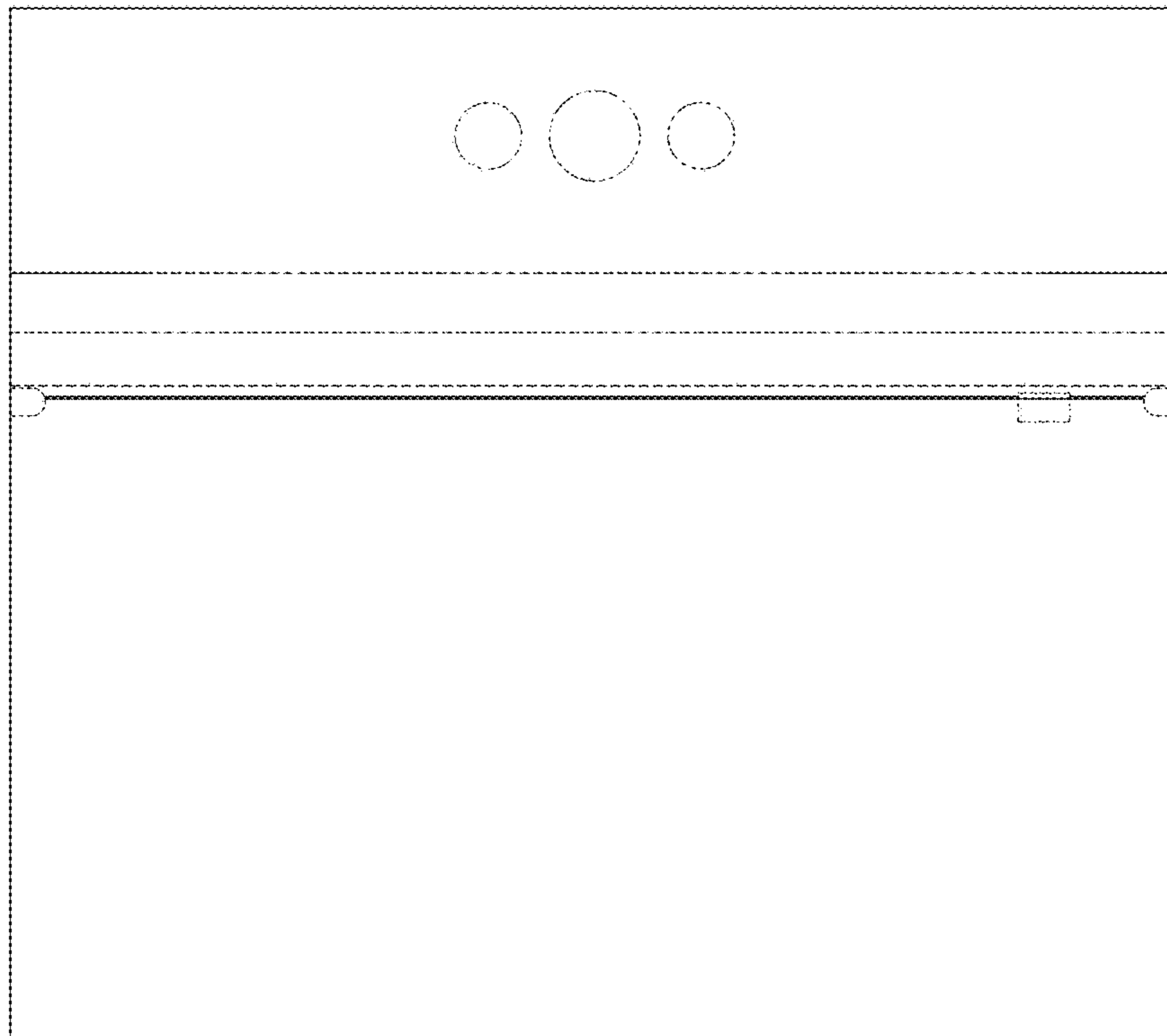
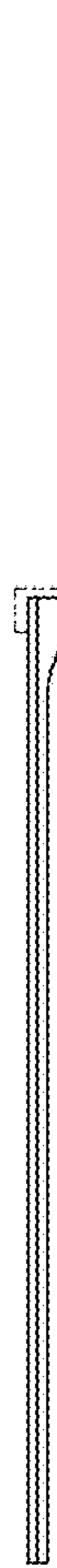


FIG. 20



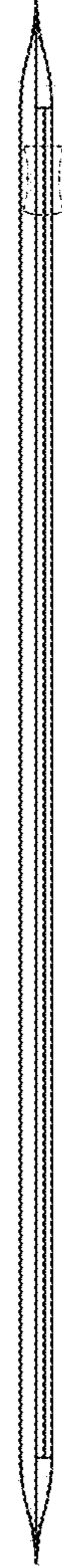


FIG. 21

FIG. 22

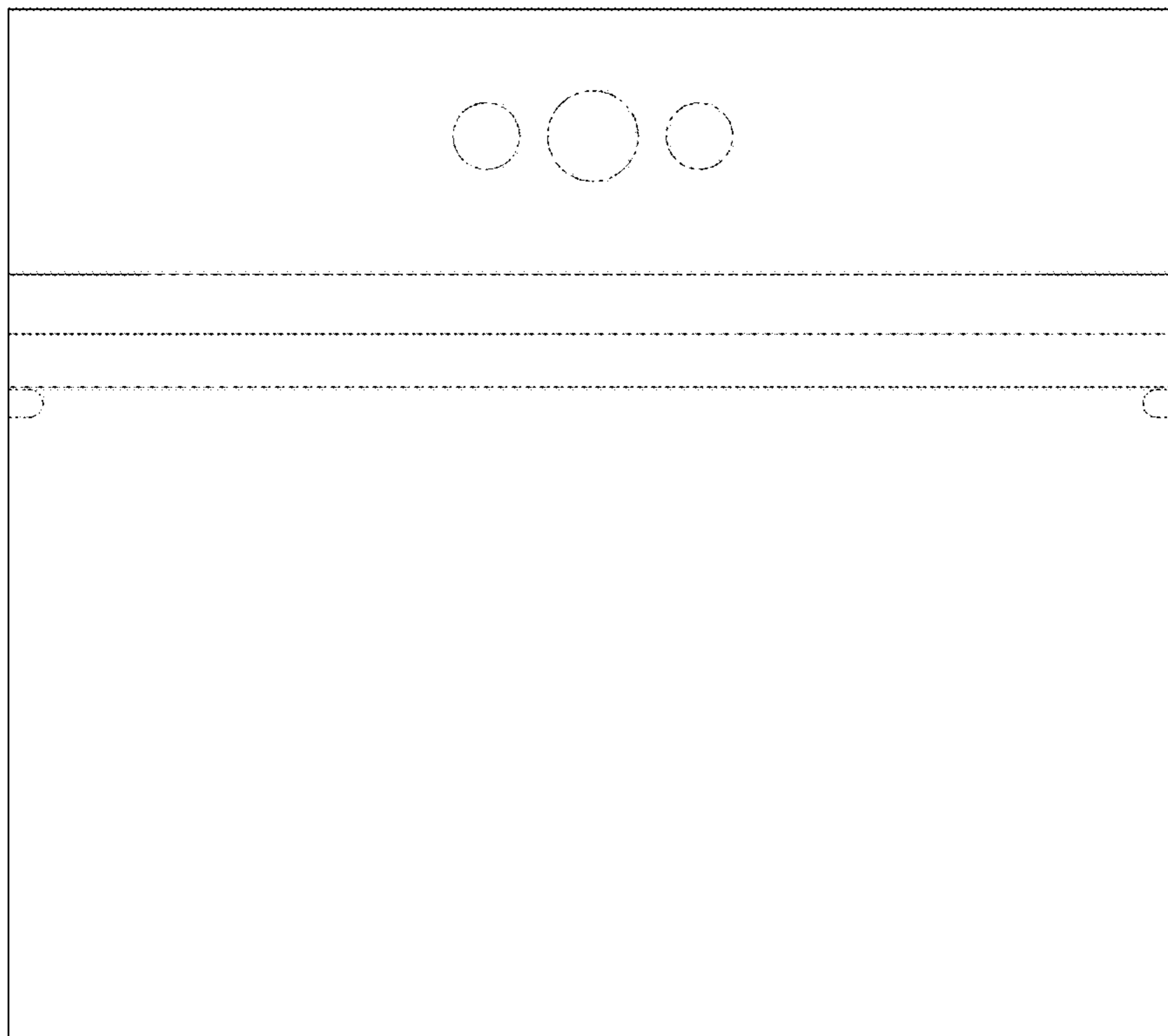


FIG. 23



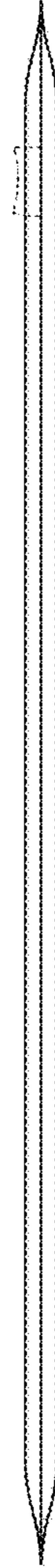


FIG. 24

FIG. 25

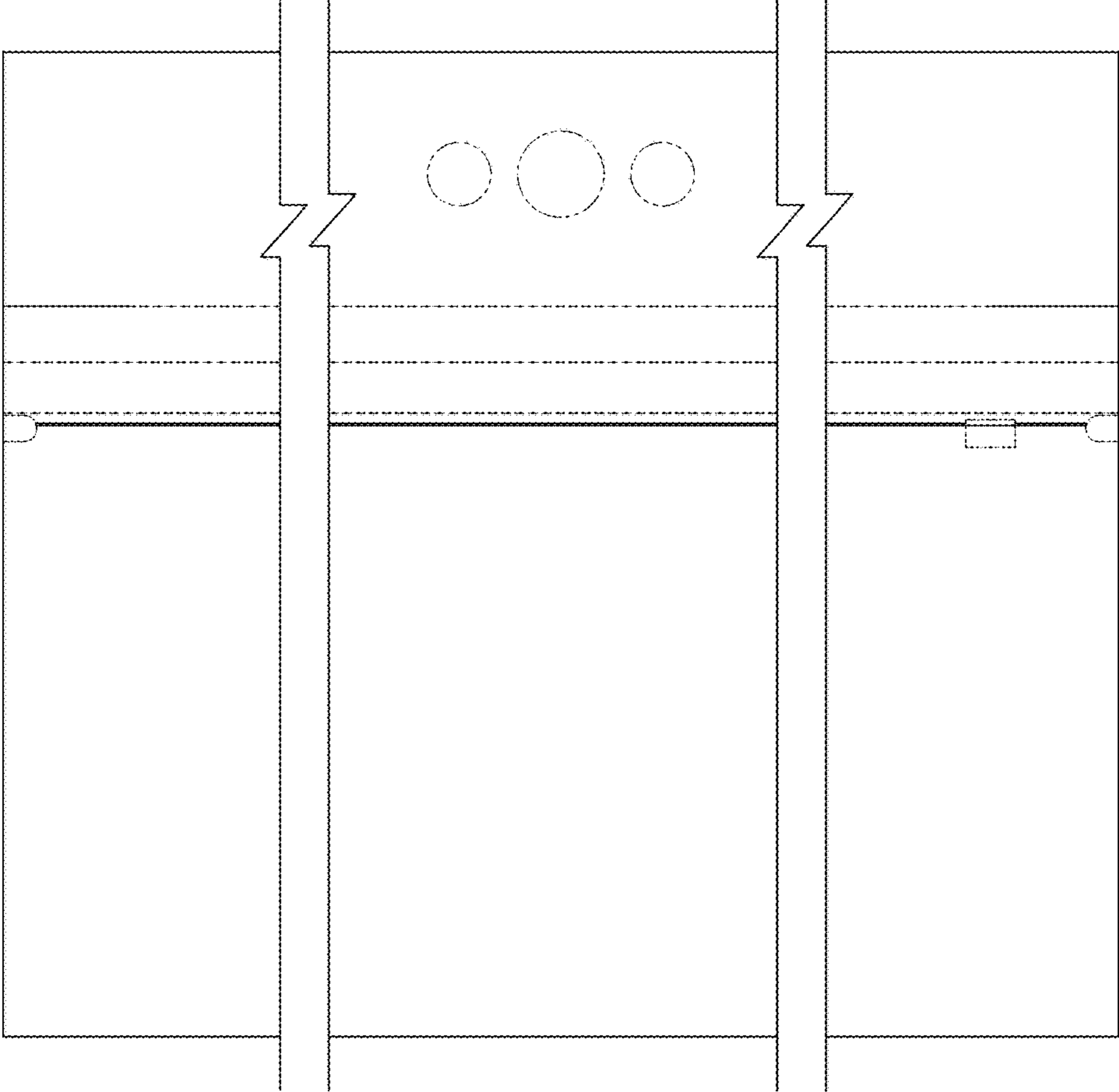
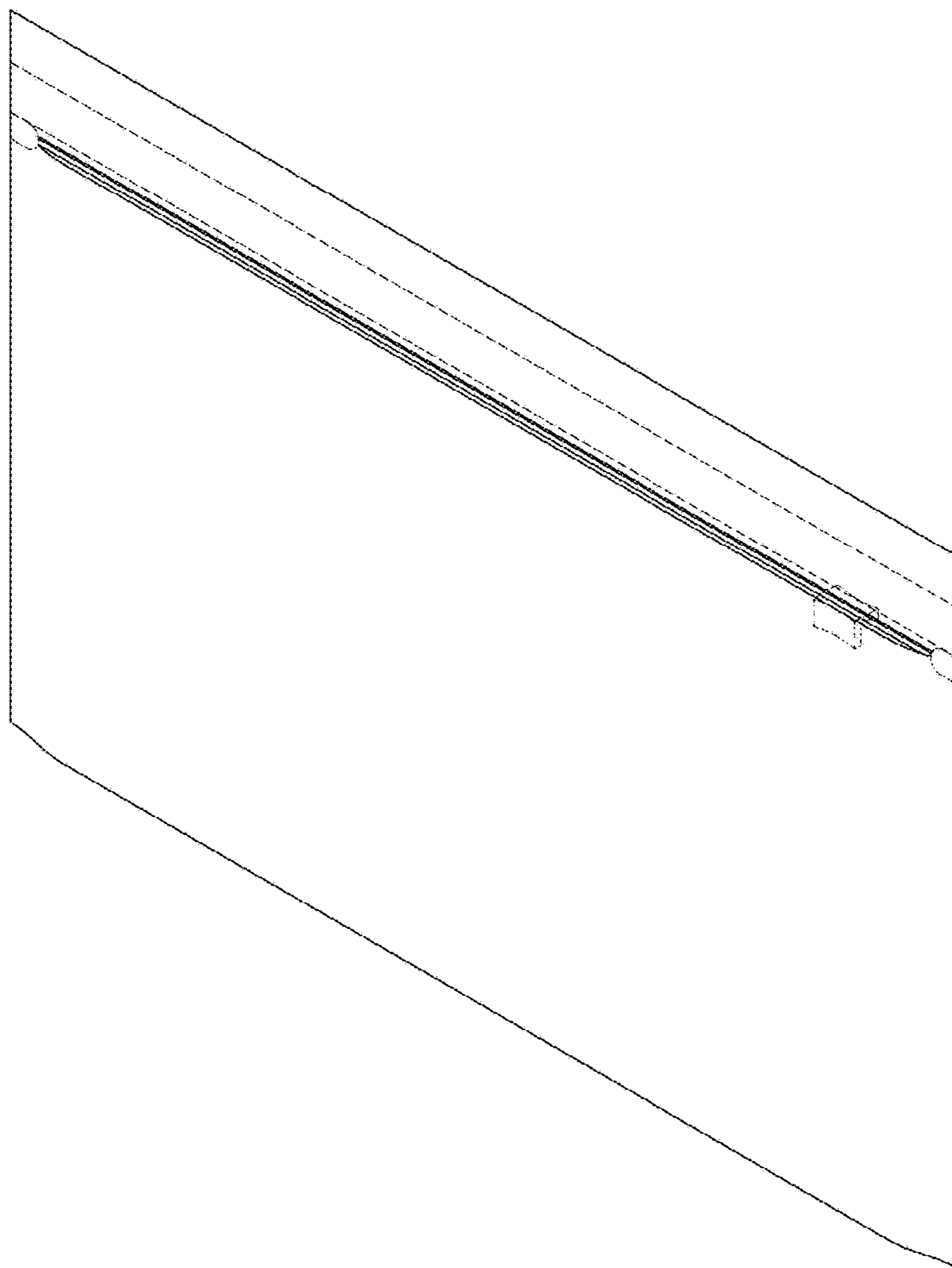


FIG. 26



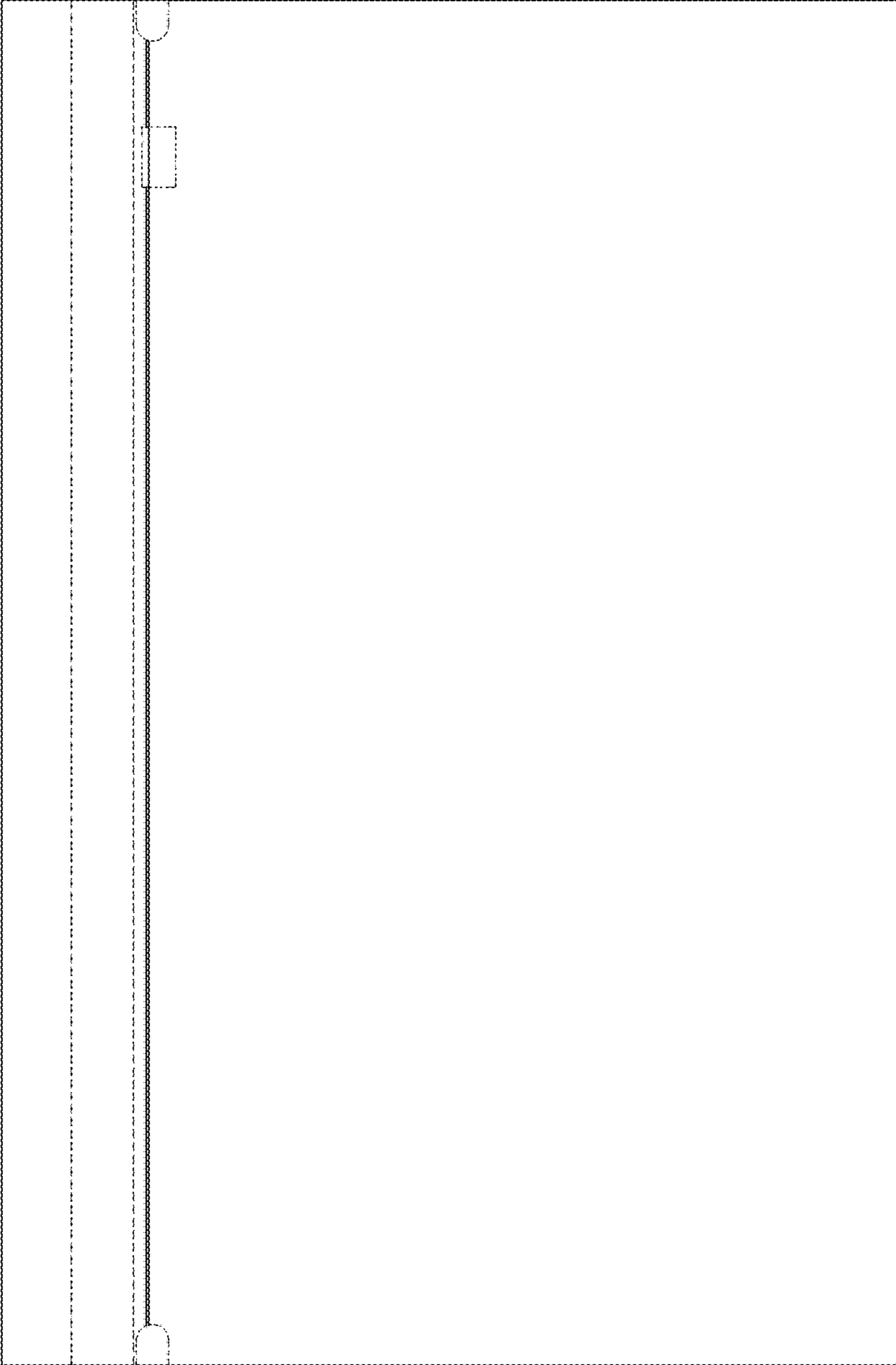
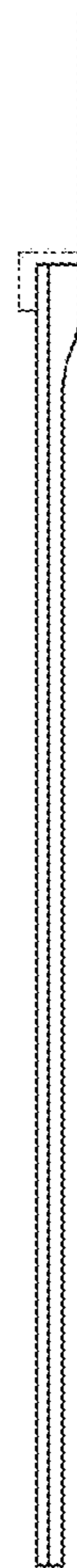


FIG. 27

FIG. 28



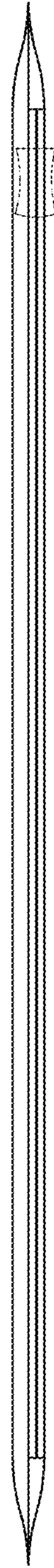


FIG. 29

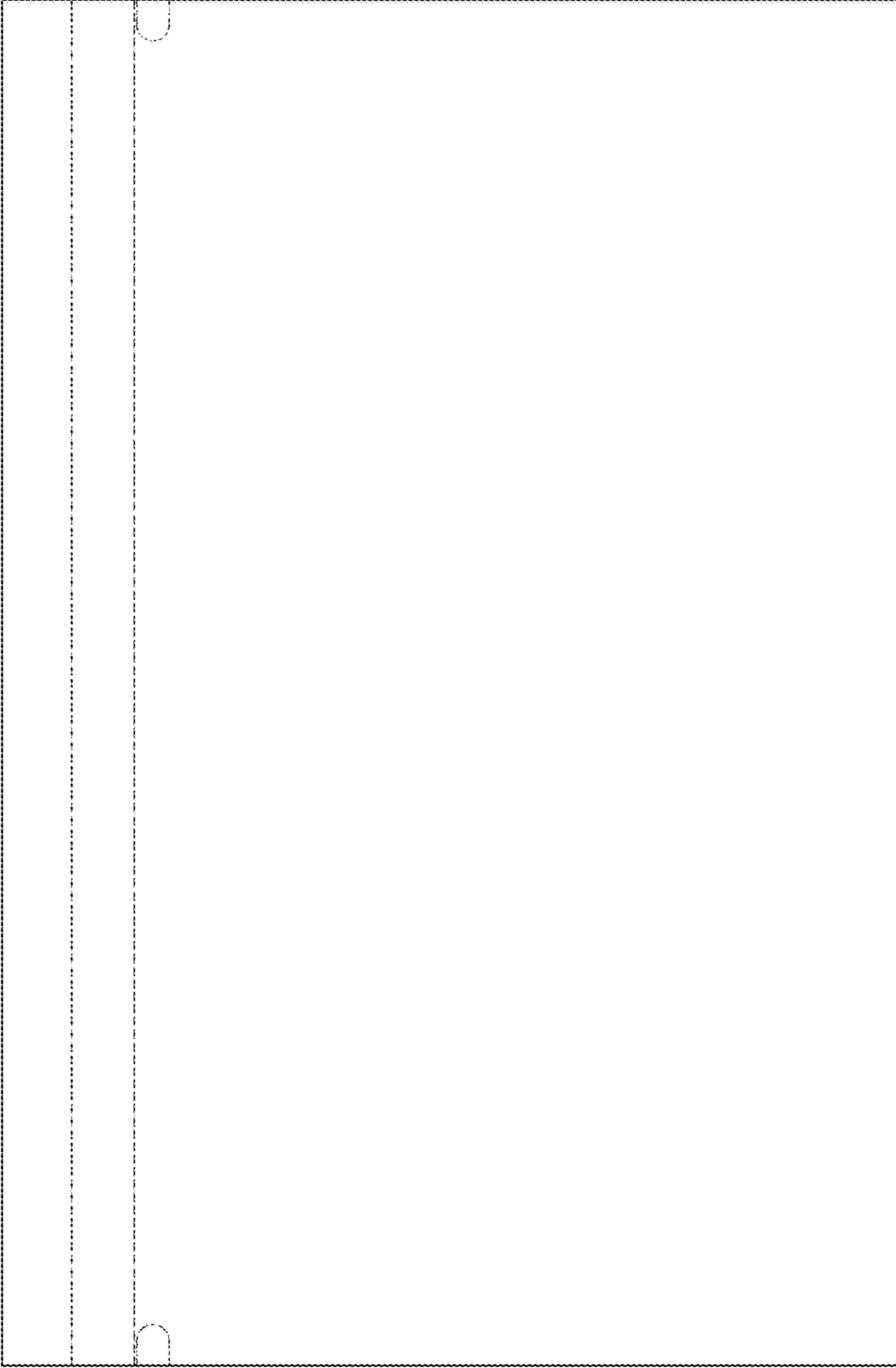
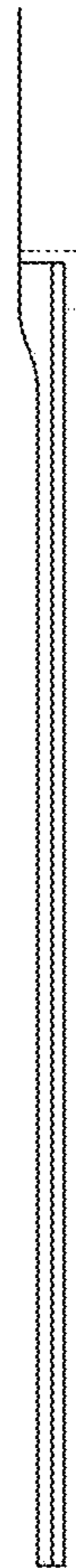


FIG. 30

FIG. 31



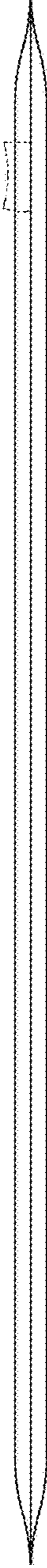


FIG. 32