



US00D812485S

(12) **United States Design Patent**  
**Tempfli**

(10) **Patent No.:** **US D812,485 S**  
(45) **Date of Patent:** **\*\* Mar. 13, 2018**

(54) **DISPENSER**

(71) Applicant: **Karl Tempfli**, Gottmadingen (DE)

(72) Inventor: **Karl Tempfli**, Gottmadingen (DE)

(73) Assignee: **APTAR RADOLFZELL GMBH**,  
Radolfzell (DE)

(\*\*) Term: **15 Years**

(21) Appl. No.: **29/554,310**

(22) Filed: **Feb. 10, 2016**

(30) **Foreign Application Priority Data**

Aug. 19, 2015 (EM) ..... 002757195-0001

(51) **LOC (11) Cl.** ..... **09-01**

(52) **U.S. Cl.**  
USPC ..... **D9/690**

(58) **Field of Classification Search**  
USPC ..... D9/414, 415, 420, 426, 428, 429, 434,  
D9/435, 443-450, 452-457, 499, 682,  
D9/685, 686, 688, 690; D7/387, 392,  
D7/392.1, 393, 396.2, 396.3, 396.4,  
D7/401.1, 507, 509-511, 538, 900;  
D3/202, 203.2, 318; D28/91.1  
CPC .. A61J 1/00; A61J 1/1412; B65D 1/00; B65D  
1/02; B65D 1/10; B65D 1/46; B65D  
2585/56; B65D 41/00; B65D 41/38;  
B65D 41/56; B65D 41/62; B65D 47/00;  
B65D 47/06; B65D 47/08; B65D  
2543/00046; B65D 2543/00092; B65D  
2543/00296; B65D 5/46; B65D 2251/00  
See application file for complete search history.

3,420,410 A \* 1/1969 Marder ..... B65D 83/205  
222/48

D267,855 S \* 2/1983 French ..... D9/434

D388,320 S \* 12/1997 Lamb ..... D9/435

D395,597 S \* 6/1998 Lamb ..... D9/434

D447,948 S \* 9/2001 Pannozzo ..... D9/448

D462,009 S \* 8/2002 Poisson ..... D9/448

D478,285 S \* 8/2003 Pannozzo ..... D9/448

D536,969 S \* 2/2007 Geier ..... D9/448

D581,270 S \* 11/2008 Gonzalez ..... D9/448

D599,665 S \* 9/2009 Campbell ..... D9/448

D627,638 S \* 11/2010 Bodet ..... D9/448

D635,021 S \* 3/2011 Geier ..... D9/448

8,100,298 B2 \* 1/2012 Marquardt ..... B65D 83/206  
222/153.11

D665,668 S \* 8/2012 Cho ..... D9/448

D679,998 S \* 4/2013 Kim ..... D9/447

D680,432 S \* 4/2013 Geier ..... D9/448

(Continued)

*Primary Examiner* — Michael A. Pratt  
*Assistant Examiner* — Wendy L Arminio  
(74) *Attorney, Agent, or Firm* — Flynn, Thiel, Boutell &  
Tanis, P.C.

(57) **CLAIM**

The ornamental design for a dispenser, as shown and described.

**DESCRIPTION**

FIG. 1 is a first perspective view of a dispenser showing my new design;  
FIG. 2 is a second perspective view thereof;  
FIG. 3 is a front view thereof;  
FIG. 4 is a rear view thereof;  
FIG. 5 is a right side view thereof;  
FIG. 6 is a left side view thereof;  
FIG. 7 is a top view thereof; and,  
FIG. 8 is a bottom view thereof.

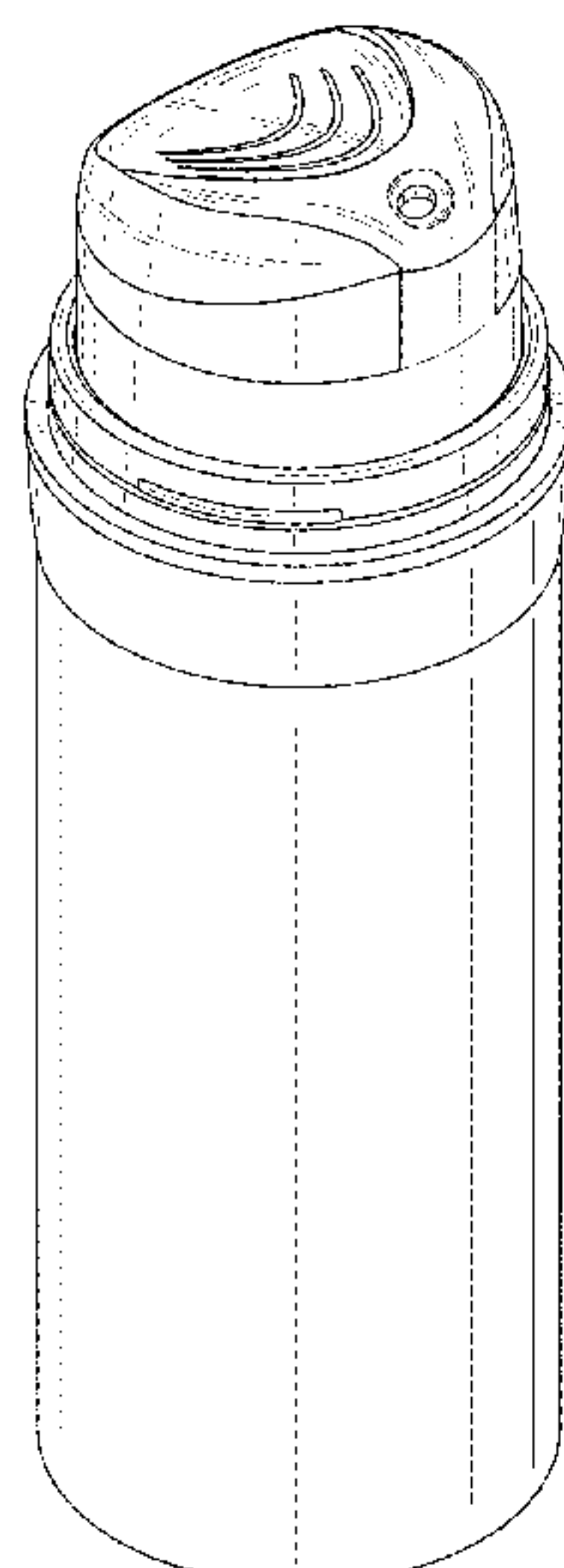
**1 Claim, 4 Drawing Sheets**

(56) **References Cited**

U.S. PATENT DOCUMENTS

3,227,321 A \* 1/1966 Sagarin ..... B65D 83/205  
222/182

3,240,397 A \* 3/1966 Sagarin ..... B65D 83/205  
220/915



(56)

**References Cited**

U.S. PATENT DOCUMENTS

D696,962	S	*	1/2014	Chen	.....	D9/688
D696,963	S	*	1/2014	Chen	.....	D9/688
D700,060	S	*	2/2014	Trevisan	.....	D9/688
D718,625	S	*	12/2014	Trevisan	.....	D9/448
D749,951	S	*	2/2016	Sims	.....	D9/448
D750,491	S	*	3/2016	Campbell	.....	D9/448
2010/0206907	A1	*	8/2010	Angus	.....	B65D 83/206 222/153.11
2011/0139810	A1	*	6/2011	Lee	.....	B65D 83/44 222/1

\* cited by examiner

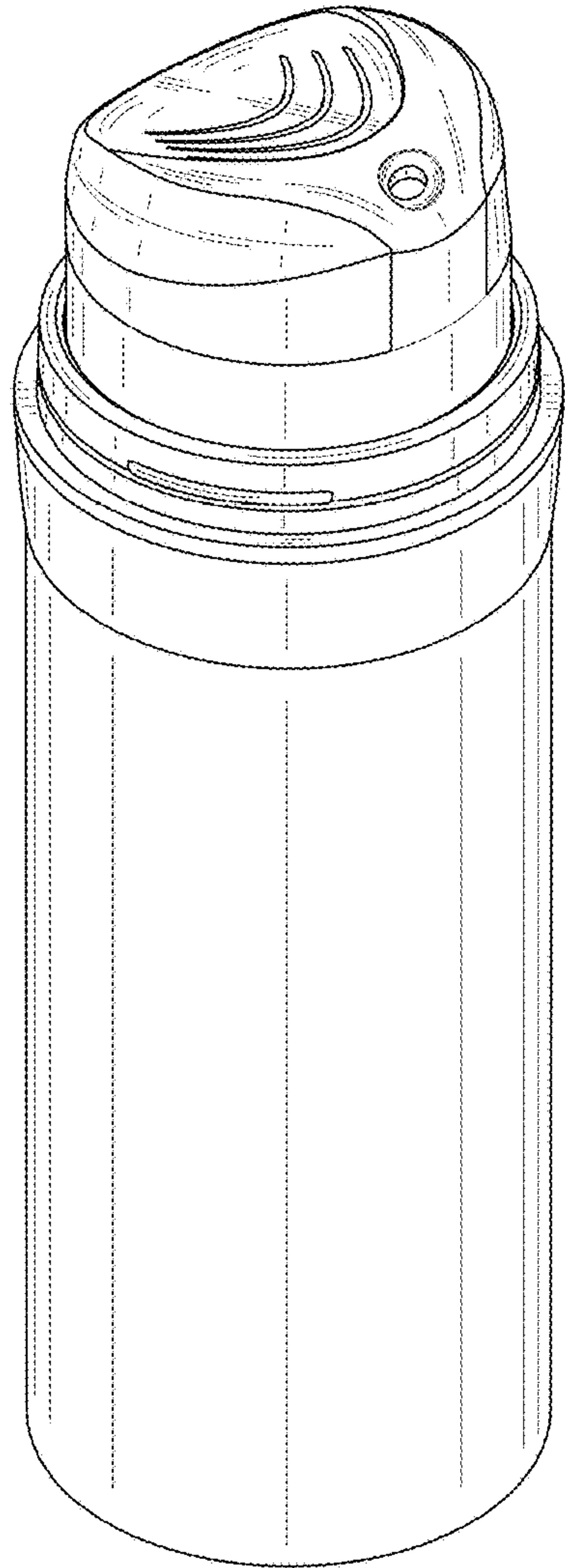


FIG. 1

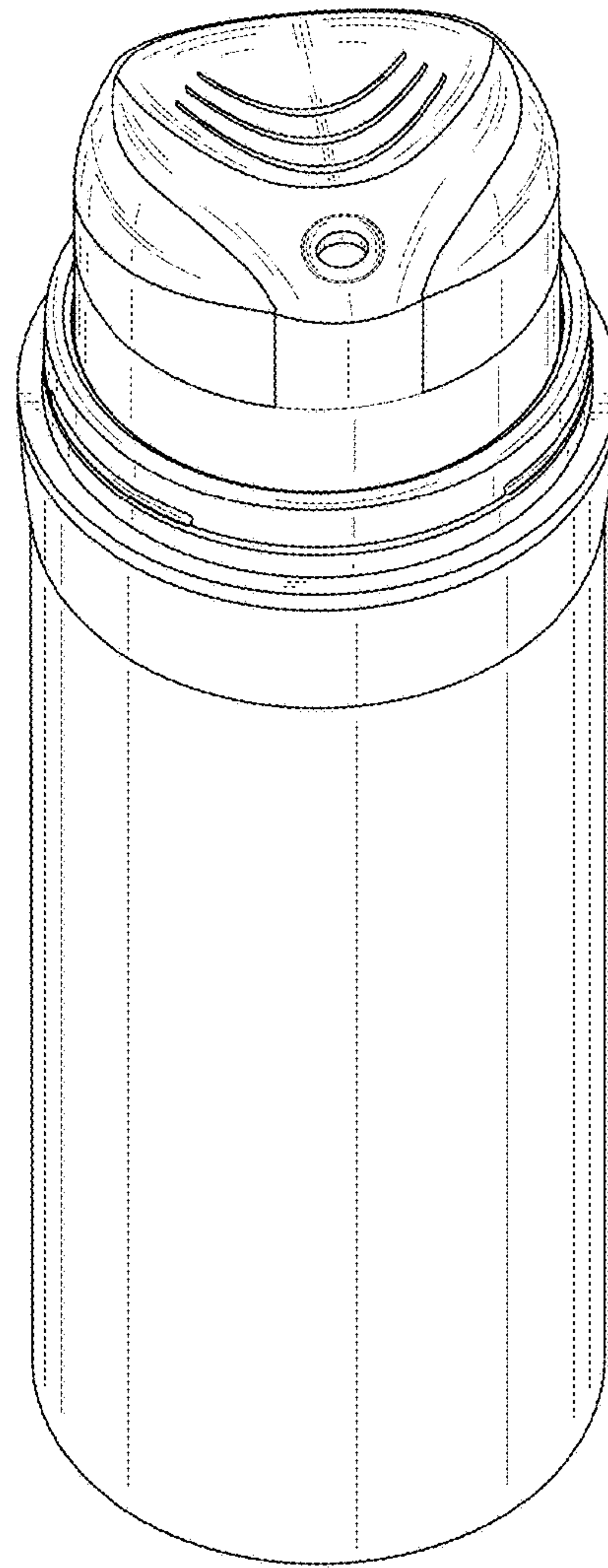


FIG. 2

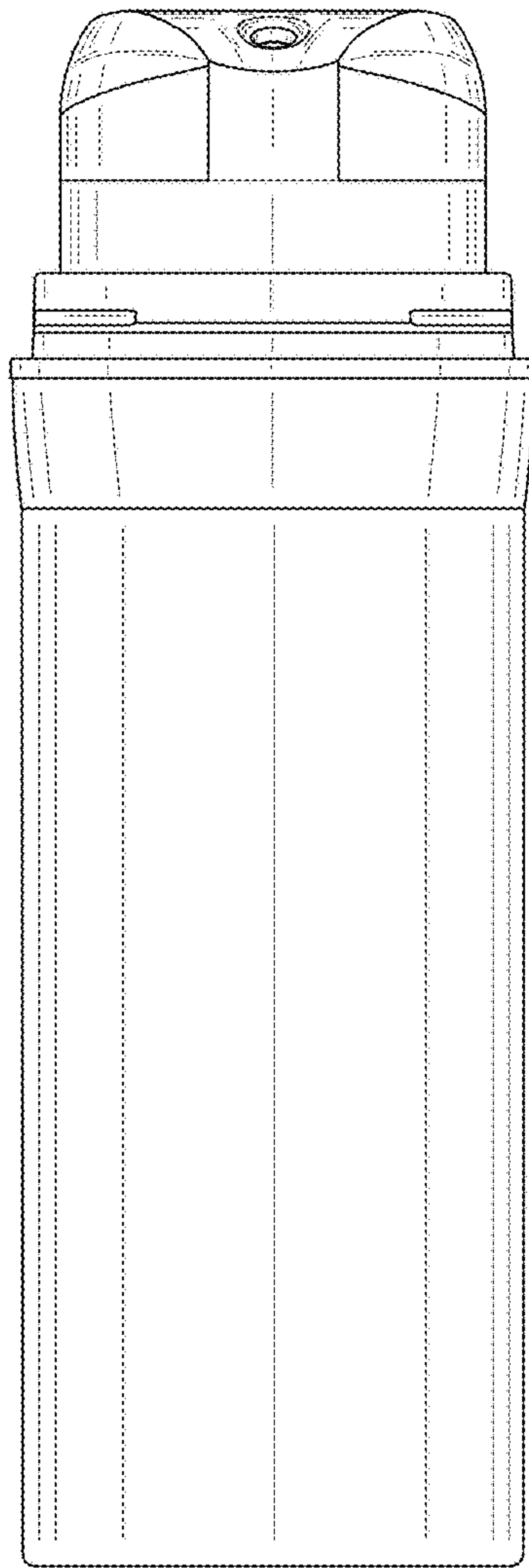


FIG. 3

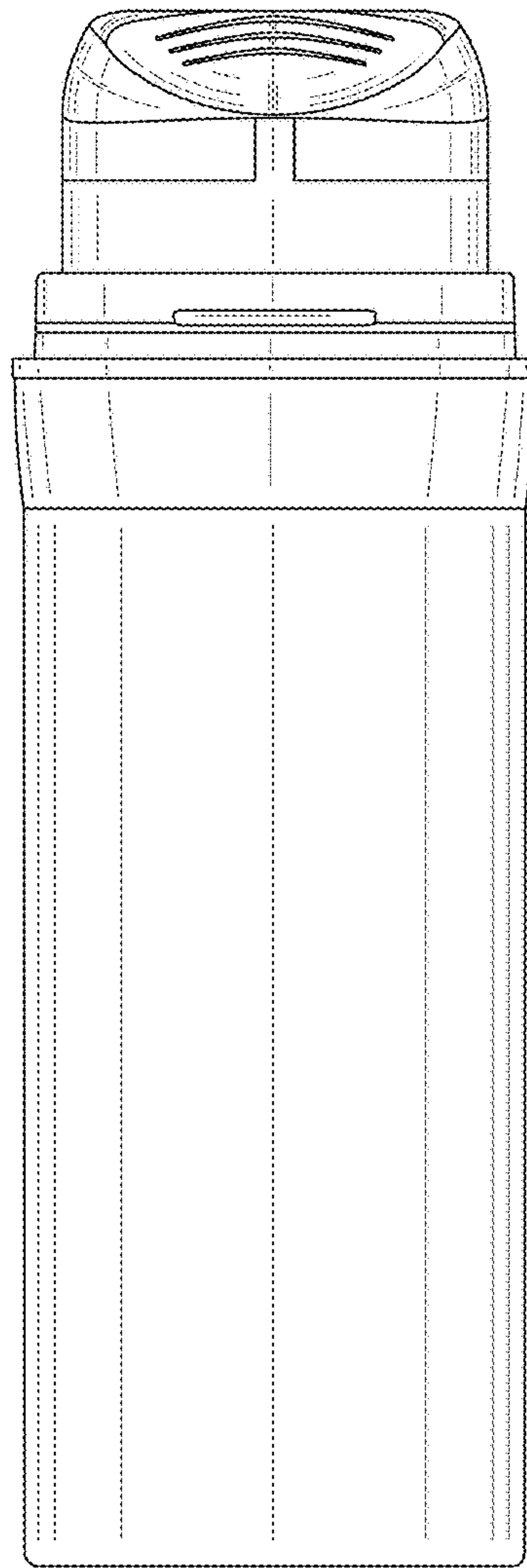


FIG. 4

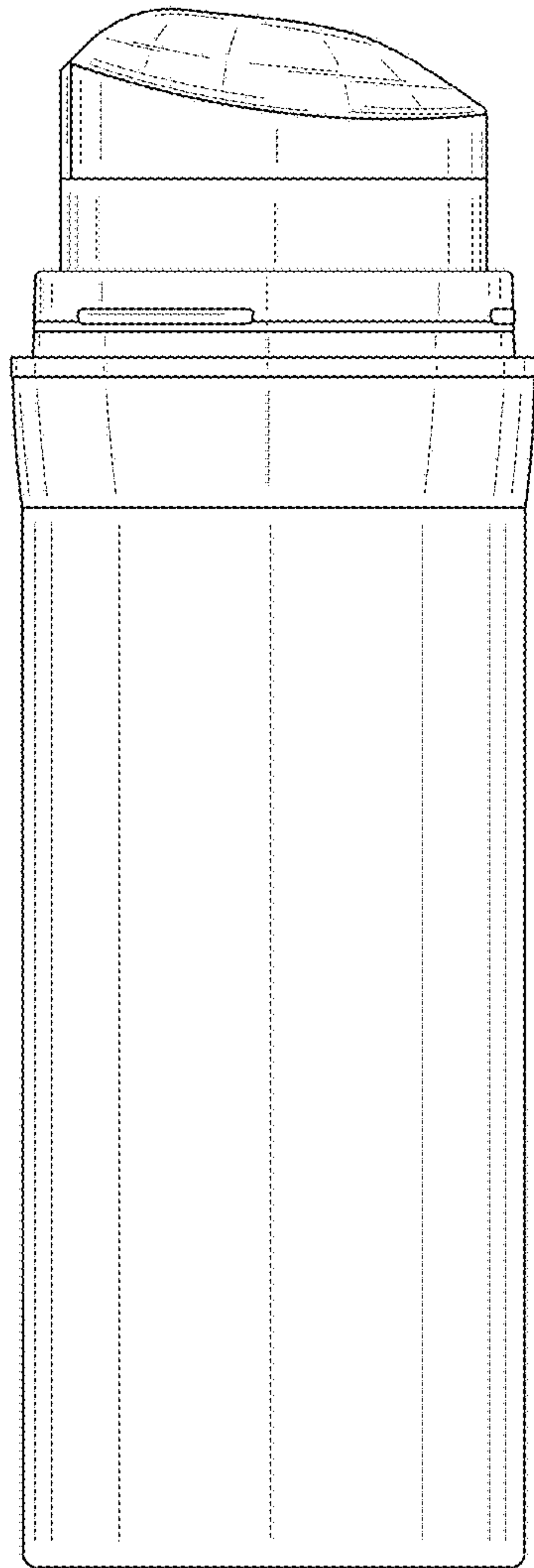


FIG. 5

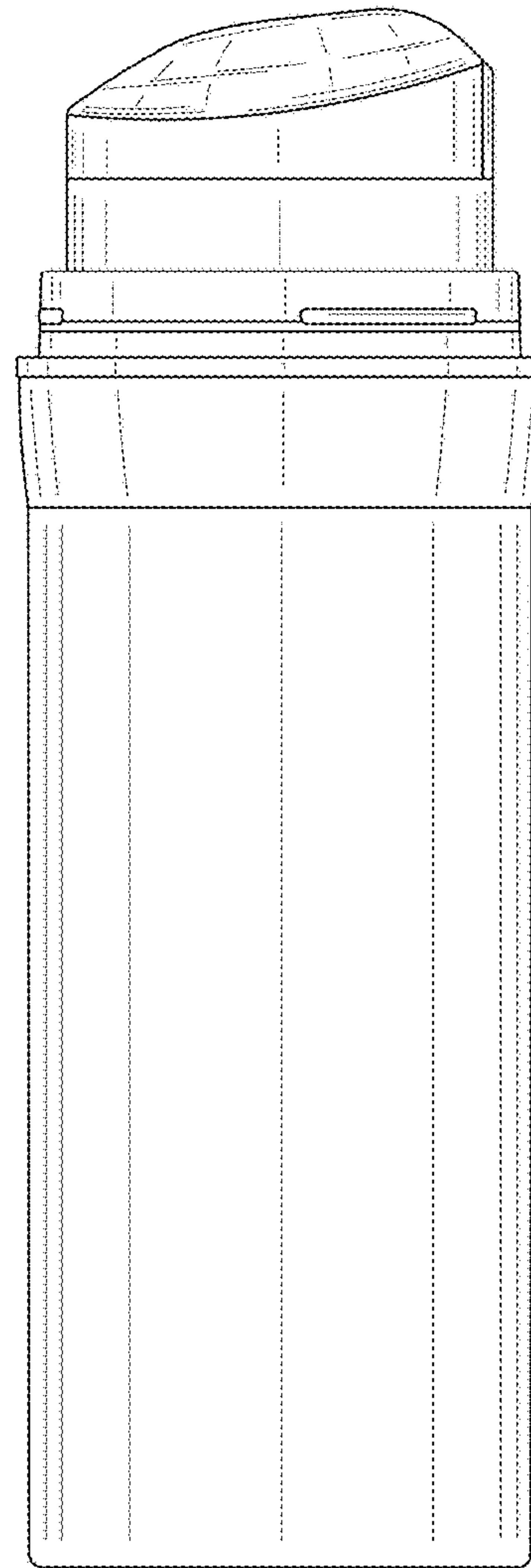
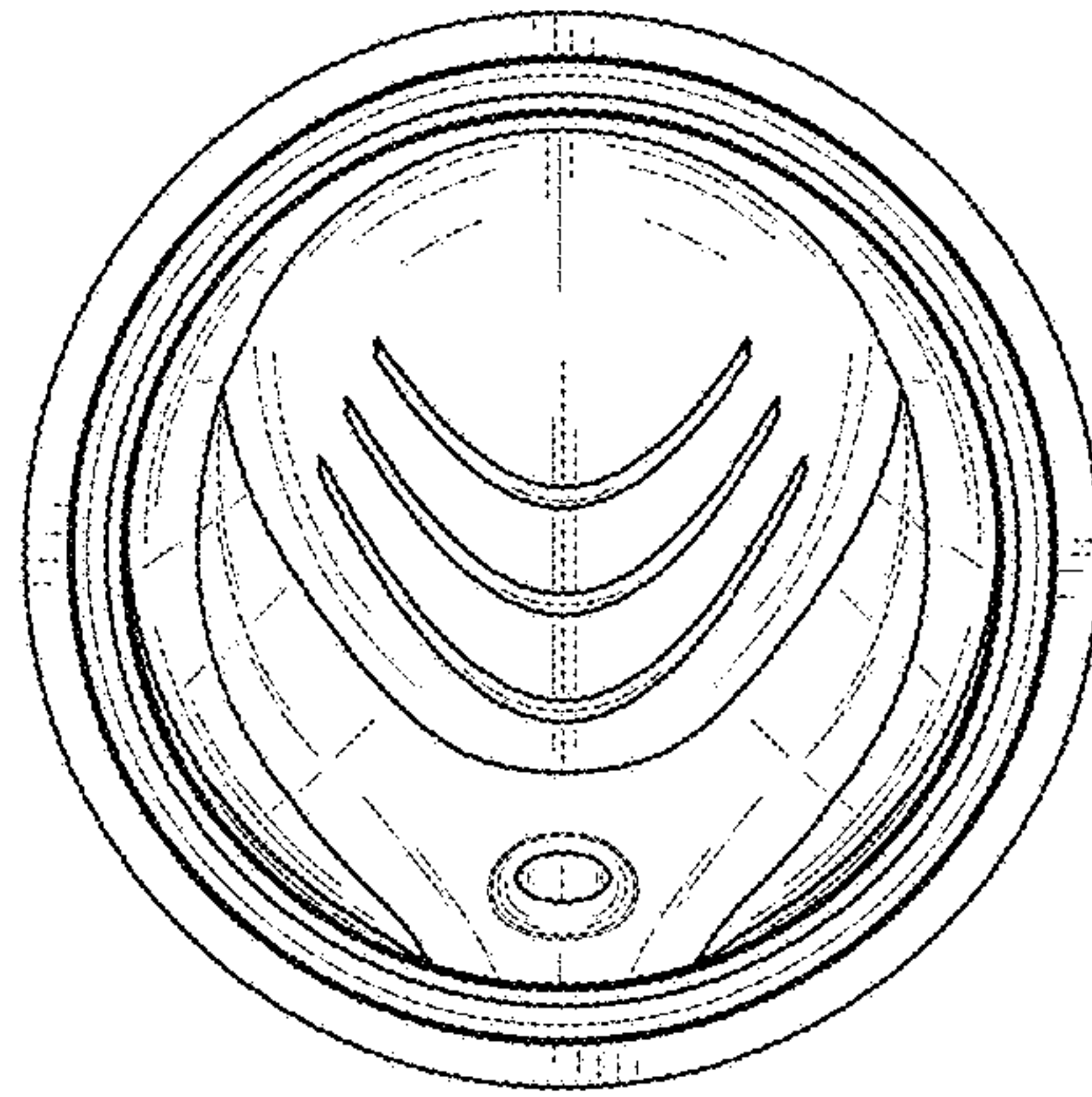
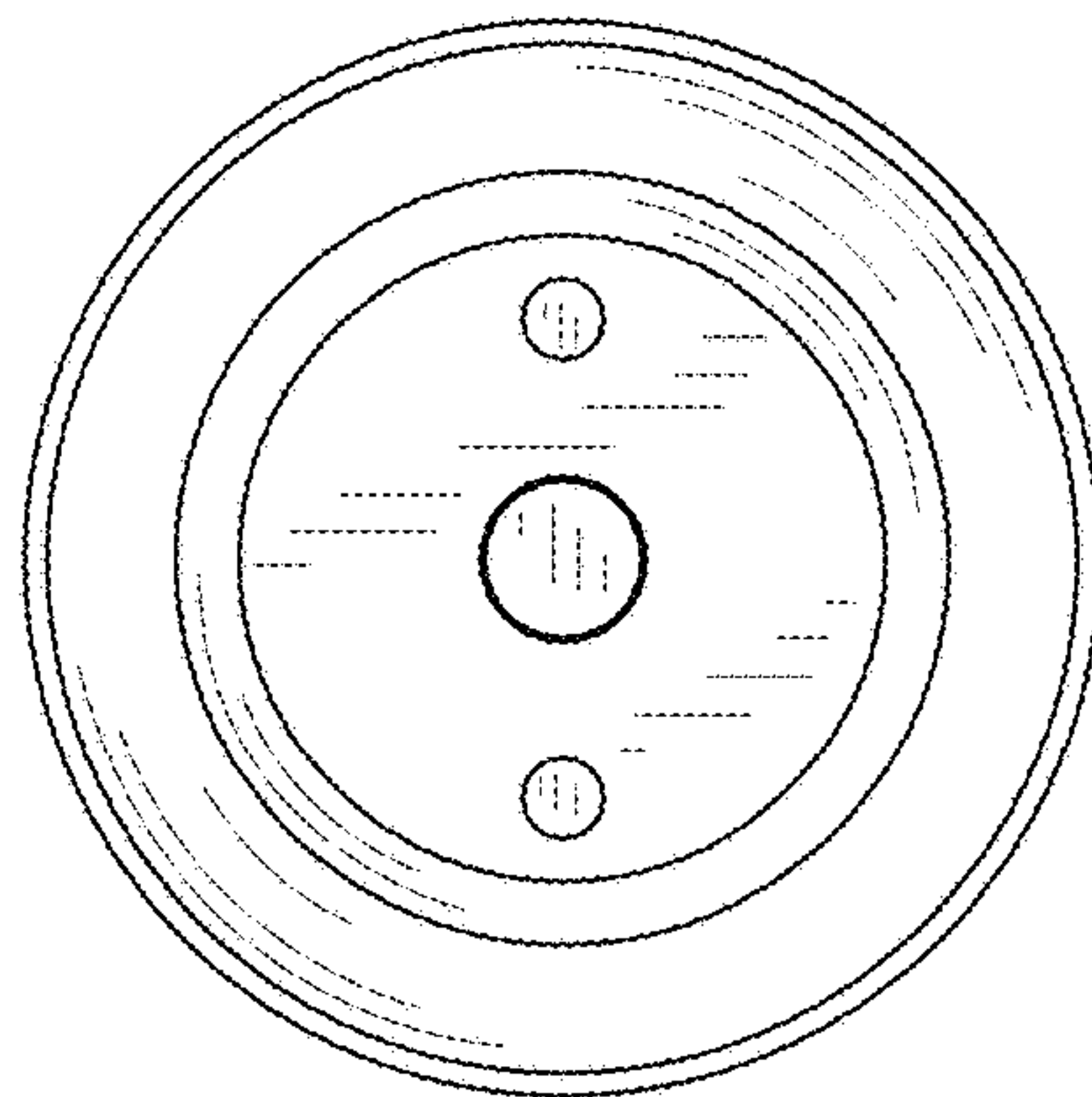


FIG. 6





**FIG. 7**



**FIG. 8**