



US00D812483S

(12) **United States Design Patent** (10) **Patent No.:** **US D812,483 S**  
**Hernandez** (45) **Date of Patent:** **\*\* Mar. 13, 2018**

- (54) **BOTTLE**
- (71) Applicant: **Henkel AG & Co. KGaA**, Duesseldorf (DE)
- (72) Inventor: **Robert Ruiz Hernandez**, Duesseldorf (DE)
- (73) Assignee: **Henkel AG & Co. KGaA**, Düsseldorf (DE)

D588,010 S *	3/2009	Shearsby	.....	D9/520
D622,608 S *	8/2010	Sansevero	.....	D9/544
D633,806 S *	3/2011	Lecoule	.....	D9/451
D656,827 S *	4/2012	Mandell	.....	D9/516
D719,455 S *	12/2014	Perez-Cabrera	.....	D9/559
D749,424 S *	2/2016	Carroll	.....	D9/544
D756,234 S *	5/2016	Orset	.....	D9/560
D767,405 S *	9/2016	Orset	.....	D9/453
D769,124 S *	10/2016	Wieland	.....	D9/574
2016/0001924 A1 *	1/2016	Liu	.....	B65D 21/0201 220/23.4

(\*\*) Term: **15 Years**

(21) Appl. No.: **29/586,750**

(22) Filed: **Dec. 6, 2016**

(51) **LOC (11) Cl.** ..... **09-01**

(52) **U.S. Cl.**  
USPC ..... **D9/574**

(58) **Field of Classification Search**  
 USPC ..... D9/434-435, 439, 447, 449, 450, 452,  
 D9/454, 516, 520, 522-524, 528-531,  
 D9/541-544, 549-551, 558-560, 563,  
 D9/565-566, 571-575, 682, 686, 687,  
 D9/693-694, 715, 719; D7/300, 300.1,  
 D7/316, 317, 598; D23/211, 225  
 CPC ... B65D 1/00; B65D 1/02; B65D 1/12; B65D  
 1/18; B65D 1/20; B65D 1/0223; B65D  
 23/00; B65D 21/0237; B65D 2501/0009;  
 B65D 2501/0081

See application file for complete search history.

(56) **References Cited**

**U.S. PATENT DOCUMENTS**

D132,180 S *	4/1942	Ireys	.....	D9/560
D527,647 S *	9/2006	Blank	.....	D9/563
D545,206 S *	6/2007	Brown	.....	D9/544
D577,292 S *	9/2008	Moretti	.....	D9/560
D579,784 S *	11/2008	Varlet	.....	D9/544

**OTHER PUBLICATIONS**

Vintage Ink Bottles and Ink Wells. Online, published date unknown. Retrieved on Sep. 8, 2017 from URL: <http://www.most-popular-collectibles-at-auction.com/ink-bottles-ink-wells.html>.\*

(Continued)

*Primary Examiner* — Vy N Koenig  
*Assistant Examiner* — Omeed Agilee

(74) *Attorney, Agent, or Firm* — Thorpe North & Western, LLP; David W. Osborne

(57) **CLAIM**

The ornamental design for a bottle, as shown and described.

**DESCRIPTION**

FIG. 1 is a perspective view of a bottle in accordance with my invention;

FIG. 2 is a front view thereof;

FIG. 3 is a rear view thereof;

FIG. 4 is a side view thereof;

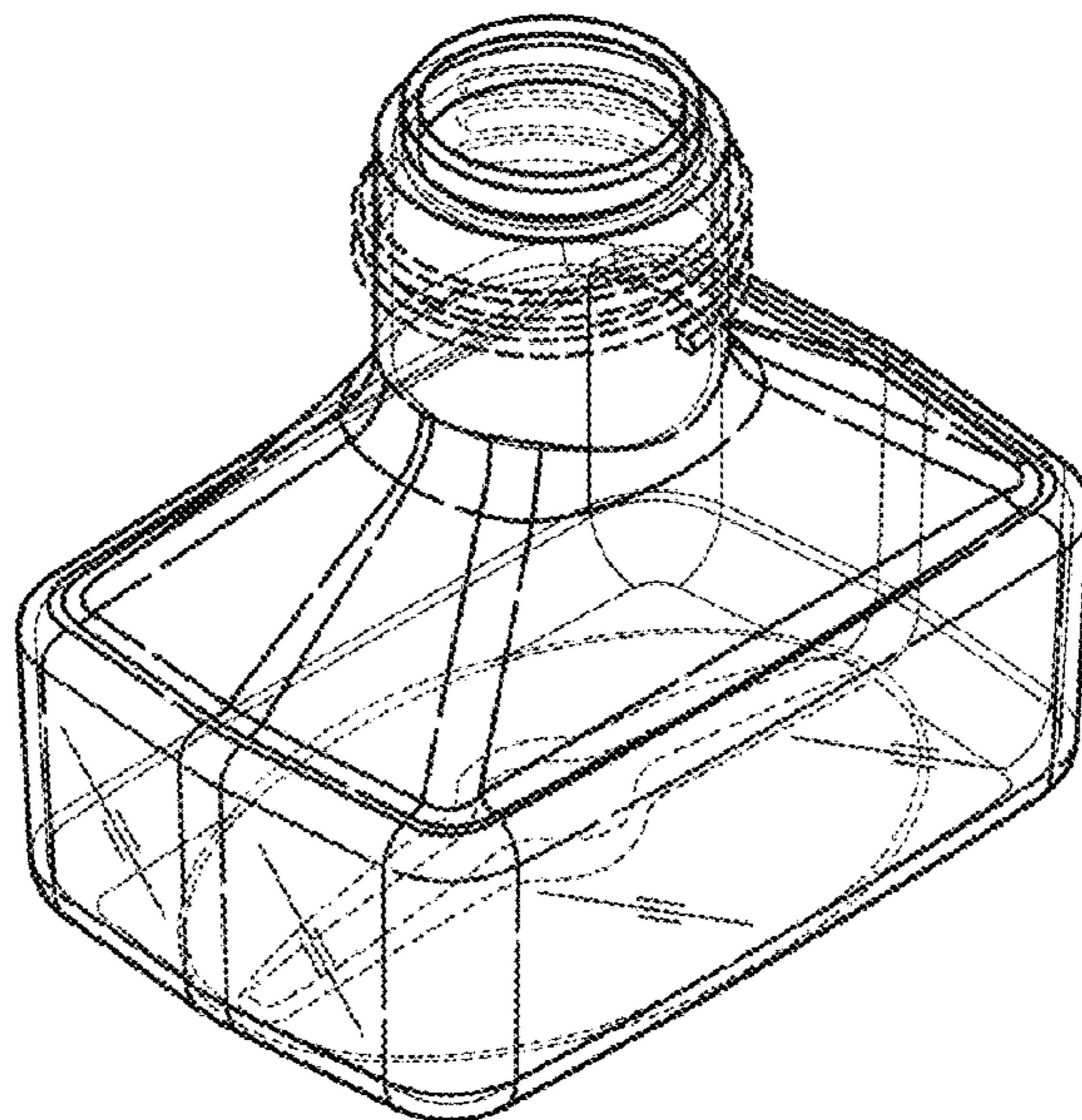
FIG. 5 is an opposite side view thereof;

FIG. 6 is a top view thereof; and,

FIG. 7 is a bottom view thereof.

The broken lines in the drawings are included to show portions of the bottle that form no part of the claimed design.

**1 Claim, 4 Drawing Sheets**



(56)

**References Cited**

OTHER PUBLICATIONS

Vintage 40's "Wyeth" Eye Wash Cup Combo. Online, published date unknown. Retrieved on Sep. 8, 2017 from URL: [https://www.etsy.com/listing/533018751/vintage-40s-wyeth-eye-wash-cup-combo?ga\\_order=most\\_relevant&ga\\_search\\_type=all&ga\\_view\\_type=gallery&ga\\_search\\_query=square glass bottle&ref=sr\\_gallery\\_28](https://www.etsy.com/listing/533018751/vintage-40s-wyeth-eye-wash-cup-combo?ga_order=most_relevant&ga_search_type=all&ga_view_type=gallery&ga_search_query=square%20glass%20bottle&ref=sr_gallery_28).\*

Vintage blue square glass bottle with cork stopper. Online, published date unknown. Retrieved on Sep. 8, 2017 from URL: [https://www.etsy.com/listing/550935331/vintage-blue-square-glass-bottle-with?ga\\_order=most\\_relevant&ga\\_search\\_type=all&ga\\_view\\_type=gallery&ga\\_search\\_query=ink well bottle&ref=sr\\_gallery\\_40](https://www.etsy.com/listing/550935331/vintage-blue-square-glass-bottle-with?ga_order=most_relevant&ga_search_type=all&ga_view_type=gallery&ga_search_query=ink%20well%20bottle&ref=sr_gallery_40).\*

Antique ink bottle, rectangular ink well with double grooves. Online, published date unknown. Retrieved on Oct. 24, 2017 from URL: <https://wanelo.co/p/8066215/antique-ink-bottle-rectangular-ink-well-with-double-grooves-blue-green-glass-from-europe>.\*

\* cited by examiner

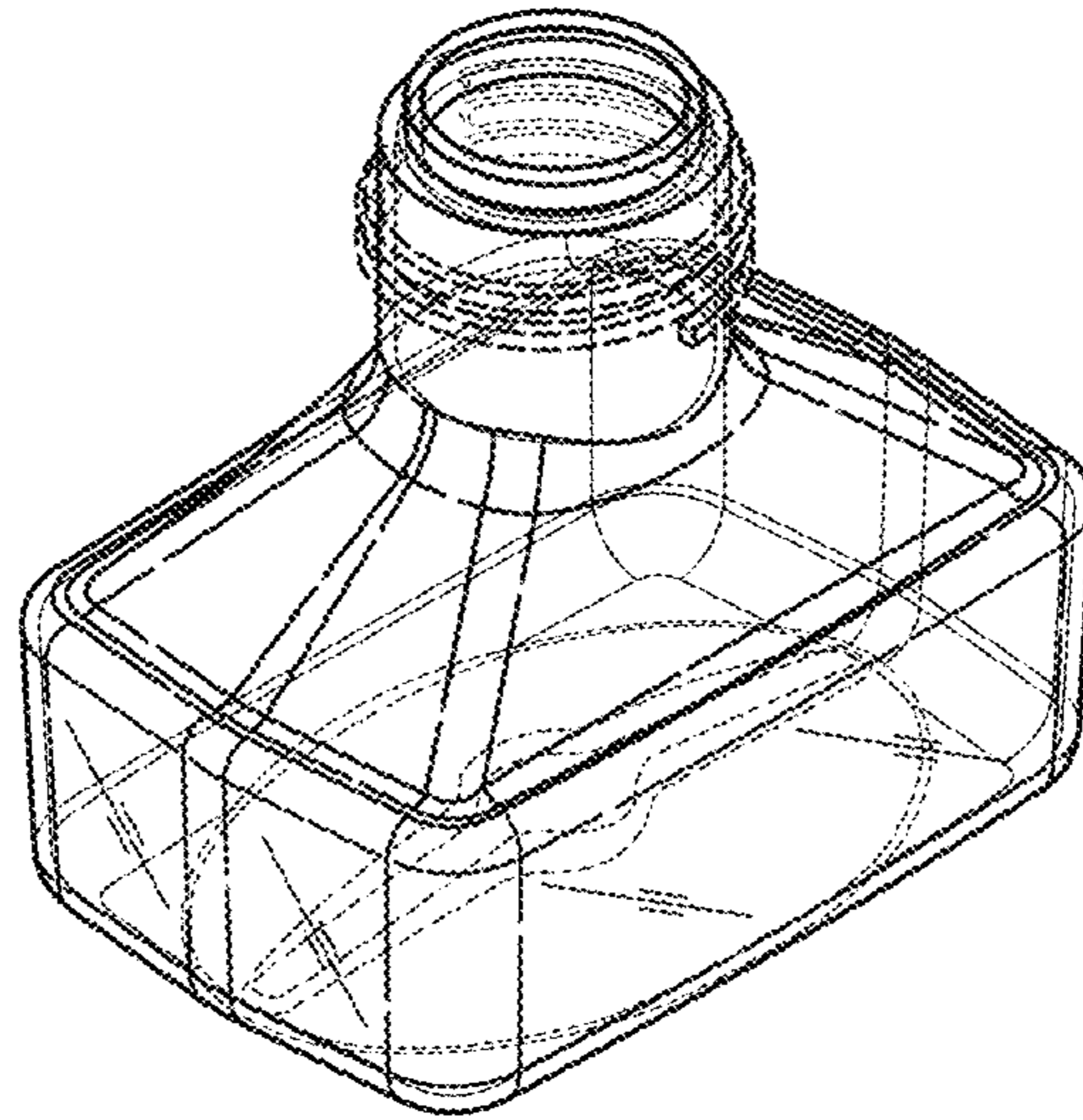


Fig. 1

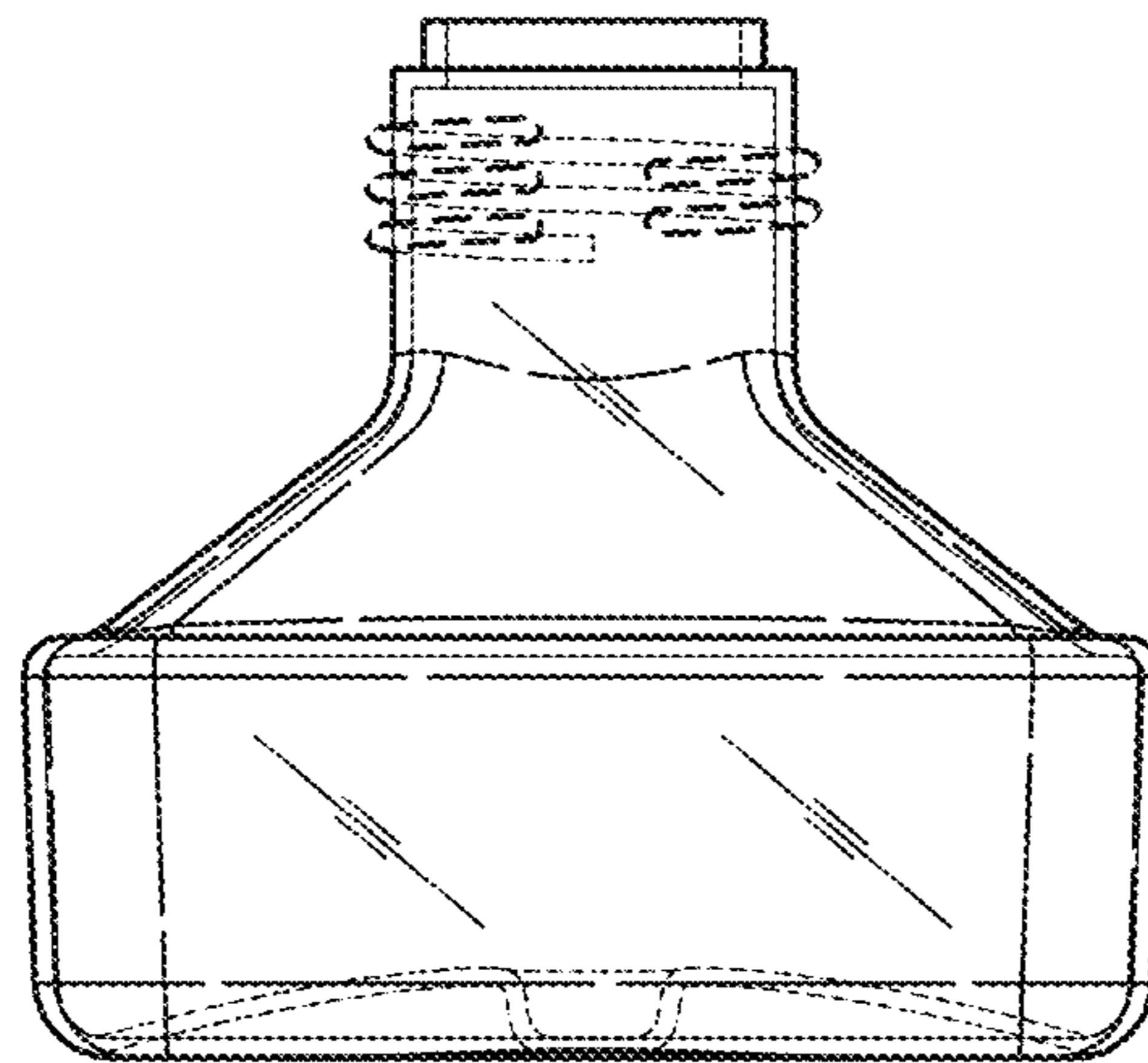


Fig. 2

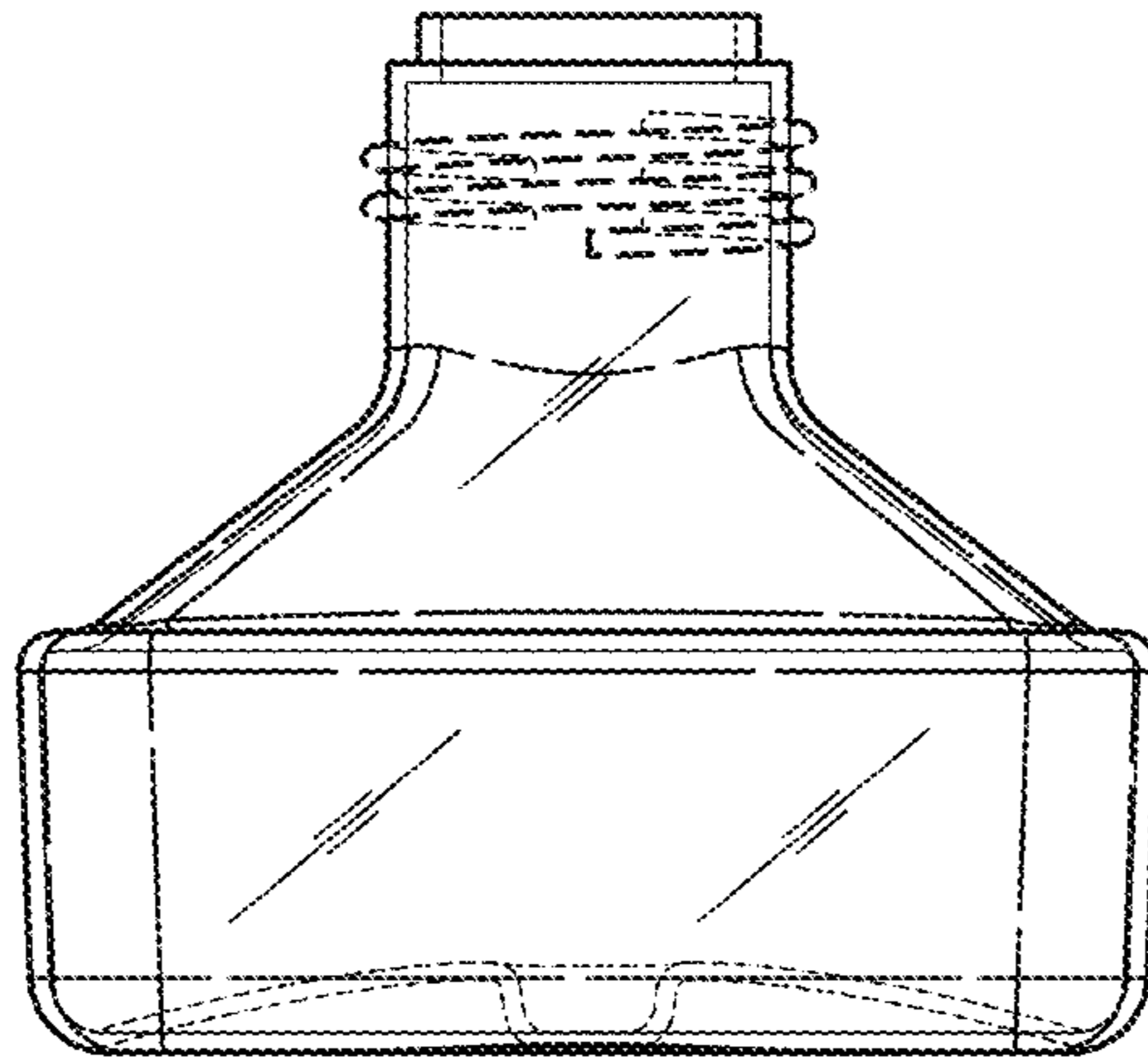


Fig. 3

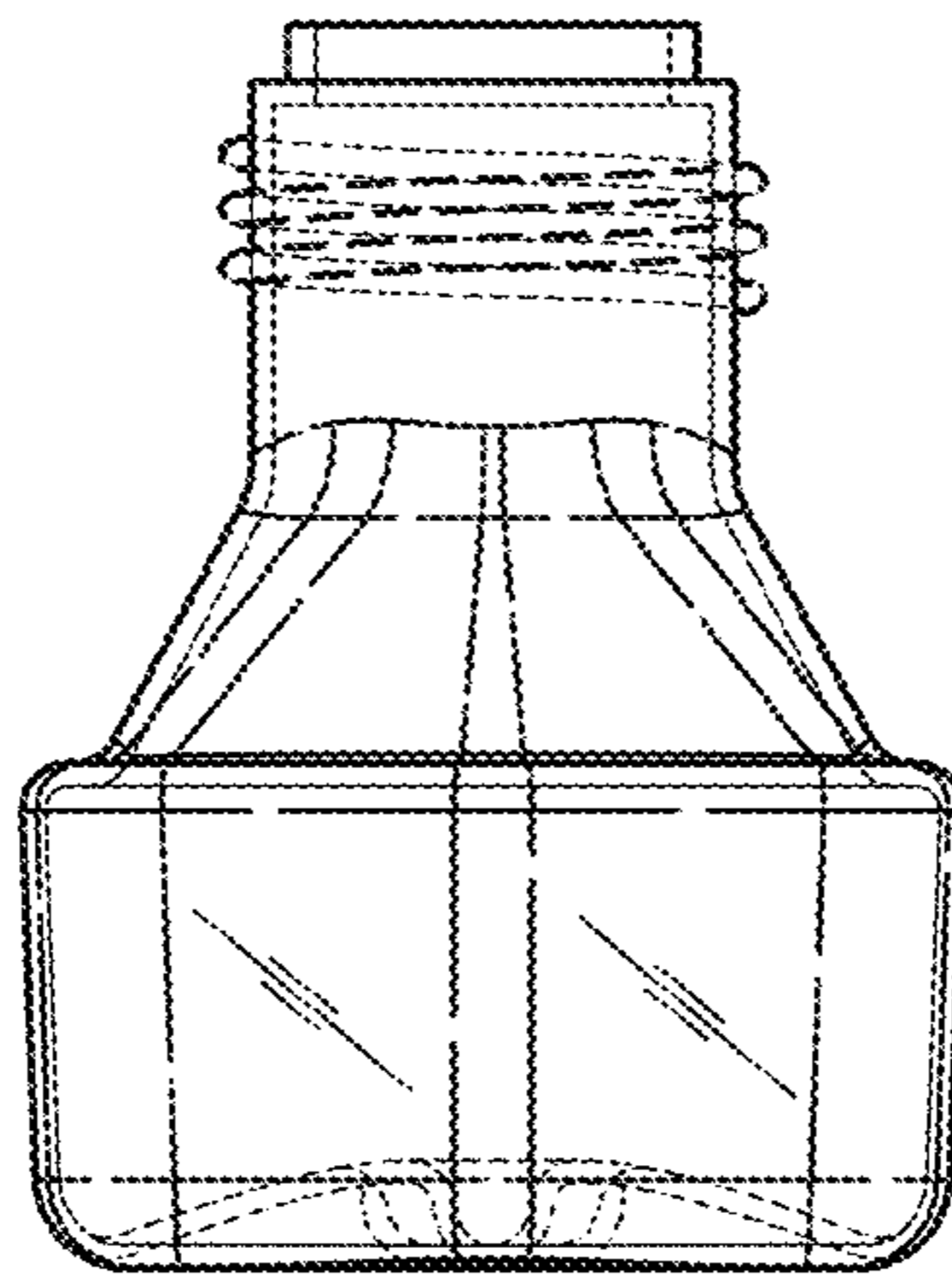


Fig. 4



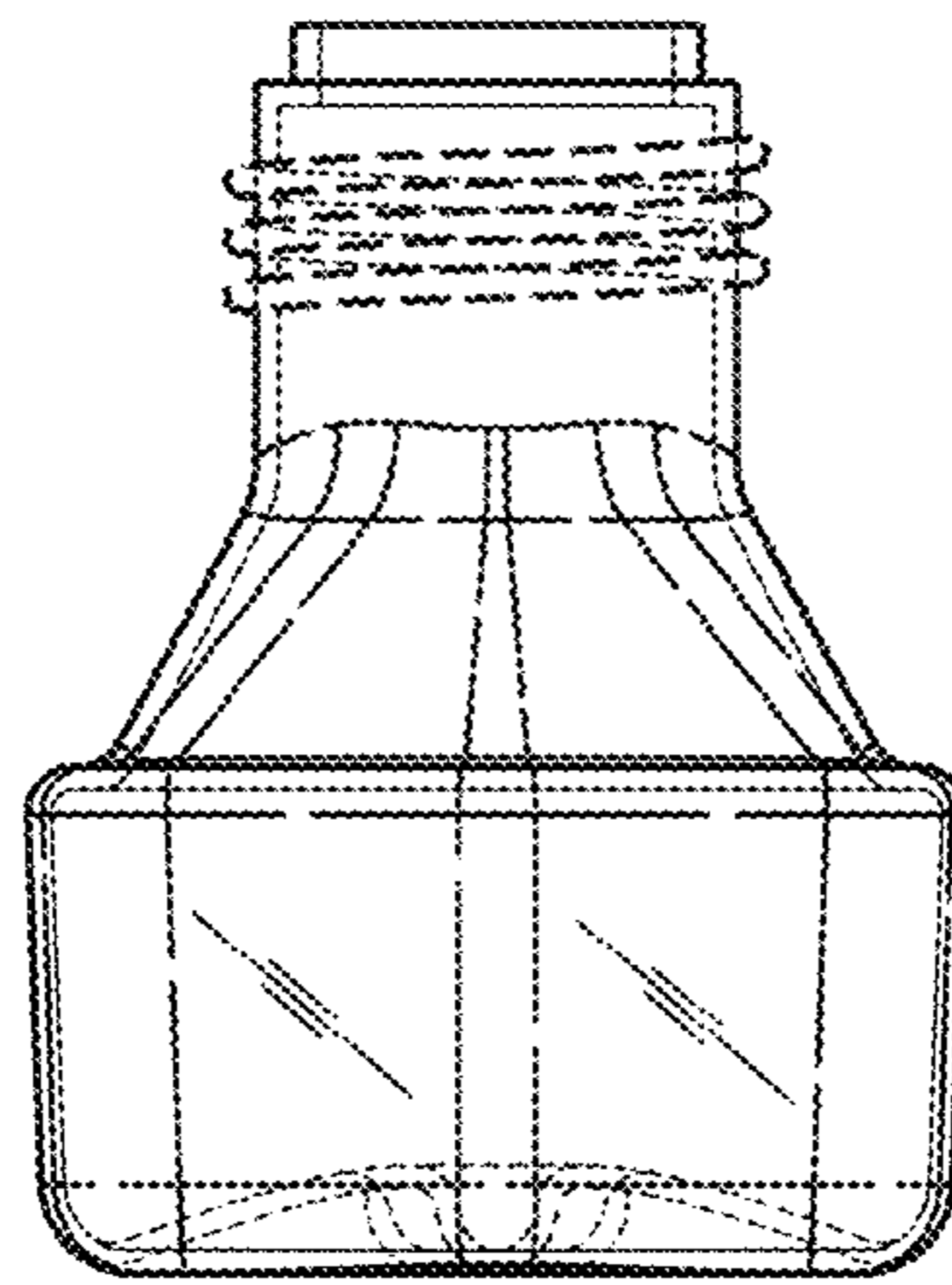


Fig. 5

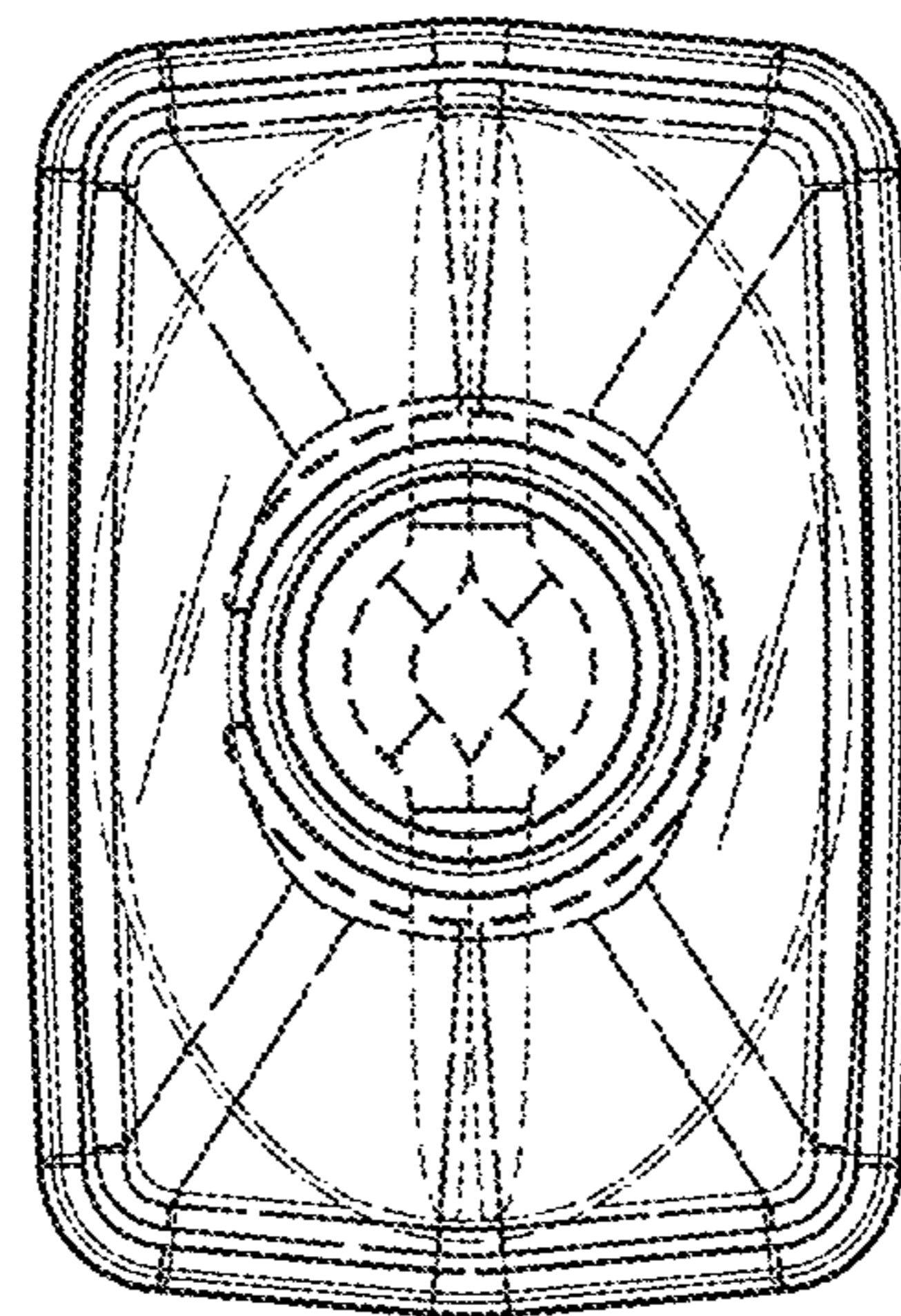


Fig. 6

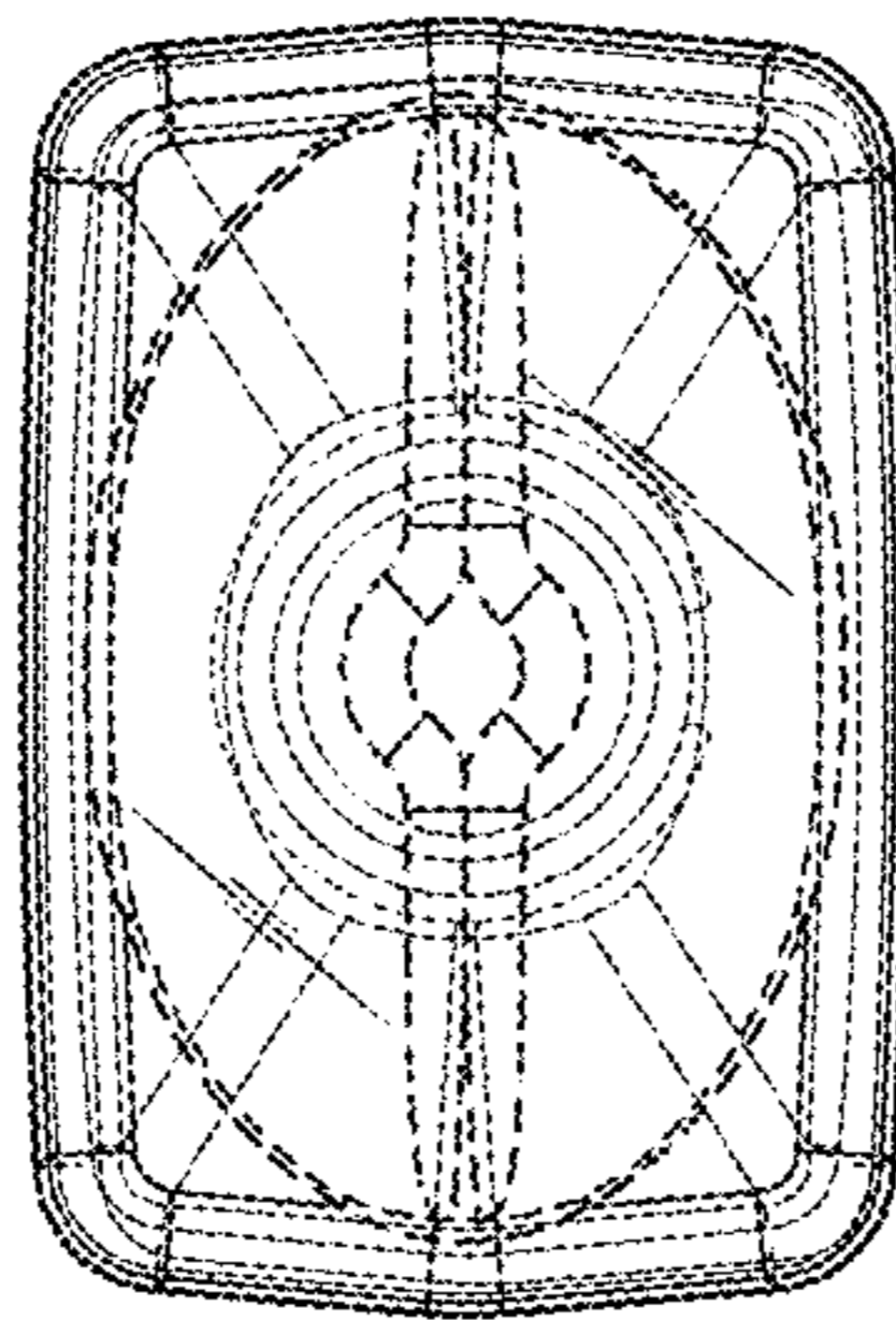


Fig. 7