



US00D812482S

(12) **United States Design Patent**  
**Young**

(10) **Patent No.:** **US D812,482 S**  
(45) **Date of Patent:** **\*\* Mar. 13, 2018**

(54) **SQUEEZABLE DIP BOTTLE**  
(71) Applicant: **Healthy Nation LLC**, Wilmington, DE  
(US)  
(72) Inventor: **Joshua Young**, Liberty Township, OH  
(US)  
(\*\*) Term: **15 Years**

D548,605 S \* 8/2007 Whipple ..... D9/541  
D619,898 S \* 7/2010 Graham ..... D9/540  
7,810,664 B2 10/2010 Trude  
D646,575 S \* 10/2011 Davis ..... D9/530  
D646,576 S \* 10/2011 Davis ..... D9/530  
8,474,638 B2 \* 7/2013 Pedmo ..... B65D 1/0223  
215/379  
RE45,022 E \* 7/2014 Graham ..... D9/540  
2005/0139572 A1 \* 6/2005 Pedmo ..... B65D 1/0223  
215/381

(21) Appl. No.: **29/597,707**  
(22) Filed: **Mar. 20, 2017**  
(51) **LOC (11) Cl.** ..... **09-01**  
(52) **U.S. Cl.**  
USPC ..... **D9/542; D9/550**  
(58) **Field of Classification Search**  
USPC ..... D9/516, 529-530, 541-543, 547,  
D9/549-550, 558, 563, 571, 574-575,  
D9/715, 719  
CPC ..... B65D 1/00; B65D 1/02; B65D 1/0223;  
B65D 23/00; B65D 81/00; B65D  
2501/00; B65D 2501/0009; B65D  
2501/0081  
See application file for complete search history.

(Continued)

**FOREIGN PATENT DOCUMENTS**

JP 2016150770 A 8/2016  
WO 2012171753 A1 12/2012

**OTHER PUBLICATIONS**

Davison Blog; "Iconic Packaging Design: Heinz Ketchup"; URL:  
<http://www.davison.com/blog/2014/01/28/iconic-packagingdesign-heinzketchup/>; Jan. 28, 2014, pp. 1-7.

*Primary Examiner* — Dana L Meyrow  
(74) *Attorney, Agent, or Firm* — Dinsmore & Shohl LLP

(56) **References Cited**

**U.S. PATENT DOCUMENTS**

3,572,590 A 3/1971 Malone  
5,094,363 A 3/1992 Monahan et al.  
5,127,553 A 7/1992 Weinstein  
6,006,952 A 12/1999 Lucas  
6,186,367 B1 2/2001 Harrold  
D471,462 S \* 3/2003 May ..... D9/529  
D476,574 S \* 7/2003 Beachum ..... D9/529  
D480,004 S \* 9/2003 Beachum ..... D9/529  
D489,624 S \* 5/2004 Beachum ..... D9/529  
D511,969 S \* 11/2005 Busa, Jr. .... D9/542  
D527,645 S \* 9/2006 Pedmo ..... B65D 1/0223  
D9/542  
7,213,719 B2 \* 5/2007 Pedmo ..... B65D 1/0223  
215/379  
D548,097 S \* 8/2007 Whipple ..... D9/541

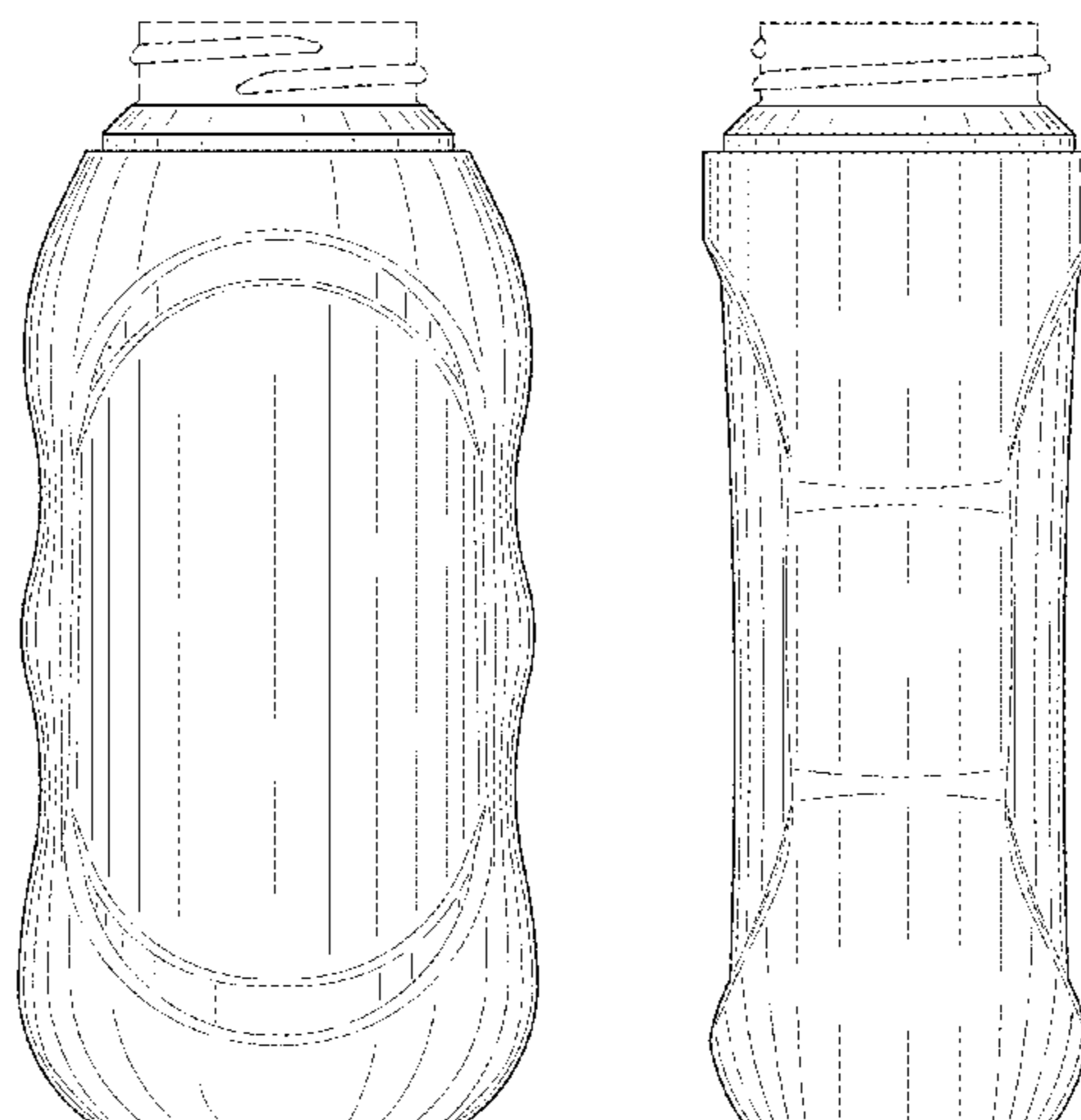
(57) **CLAIM**

The ornamental design for a squeezable dip bottle, as shown and described.

**DESCRIPTION**

FIG. 1 is a top, front perspective view of a squeezable dip bottle showing my new design;  
FIG. 2 is a front view thereof;  
FIG. 3 is a back view thereof;  
FIG. 4 is a left side view thereof;  
FIG. 5 is a right side view thereof;  
FIG. 6 is a top view thereof; and,  
FIG. 7 is a bottom view thereof.  
The broken lines in the drawings illustrate the portions of the squeezable dip bottle that form no part of the claim.

**1 Claim, 4 Drawing Sheets**



(56)

**References Cited**

U.S. PATENT DOCUMENTS

2005/0252880 A1\* 11/2005 Pedmo ..... B65D 1/0223  
215/381  
2006/0065618 A1\* 3/2006 Pedmo ..... B65D 1/0223  
215/381  
2015/0203237 A1 7/2015 Bryant et al.  
2015/0217911 A1 8/2015 Wilson

\* cited by examiner

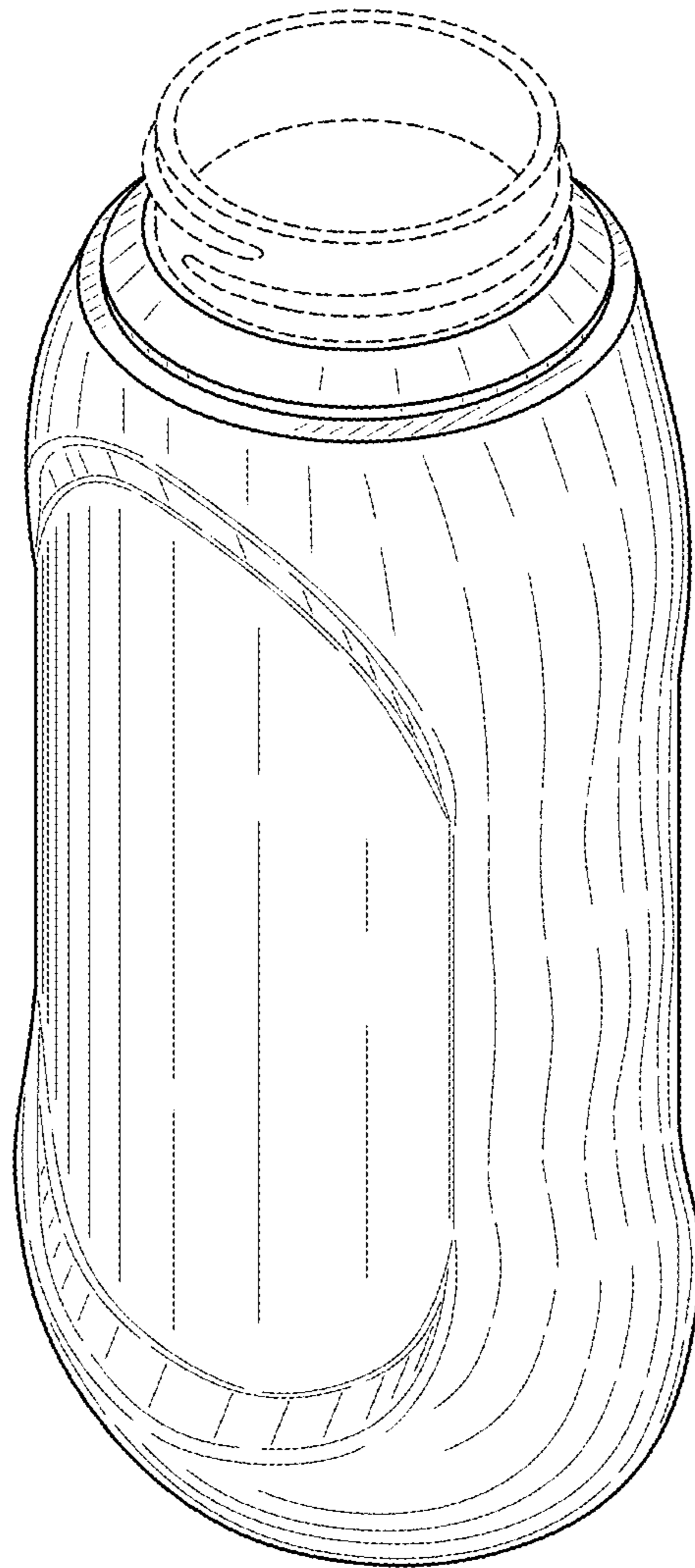


FIG. 1

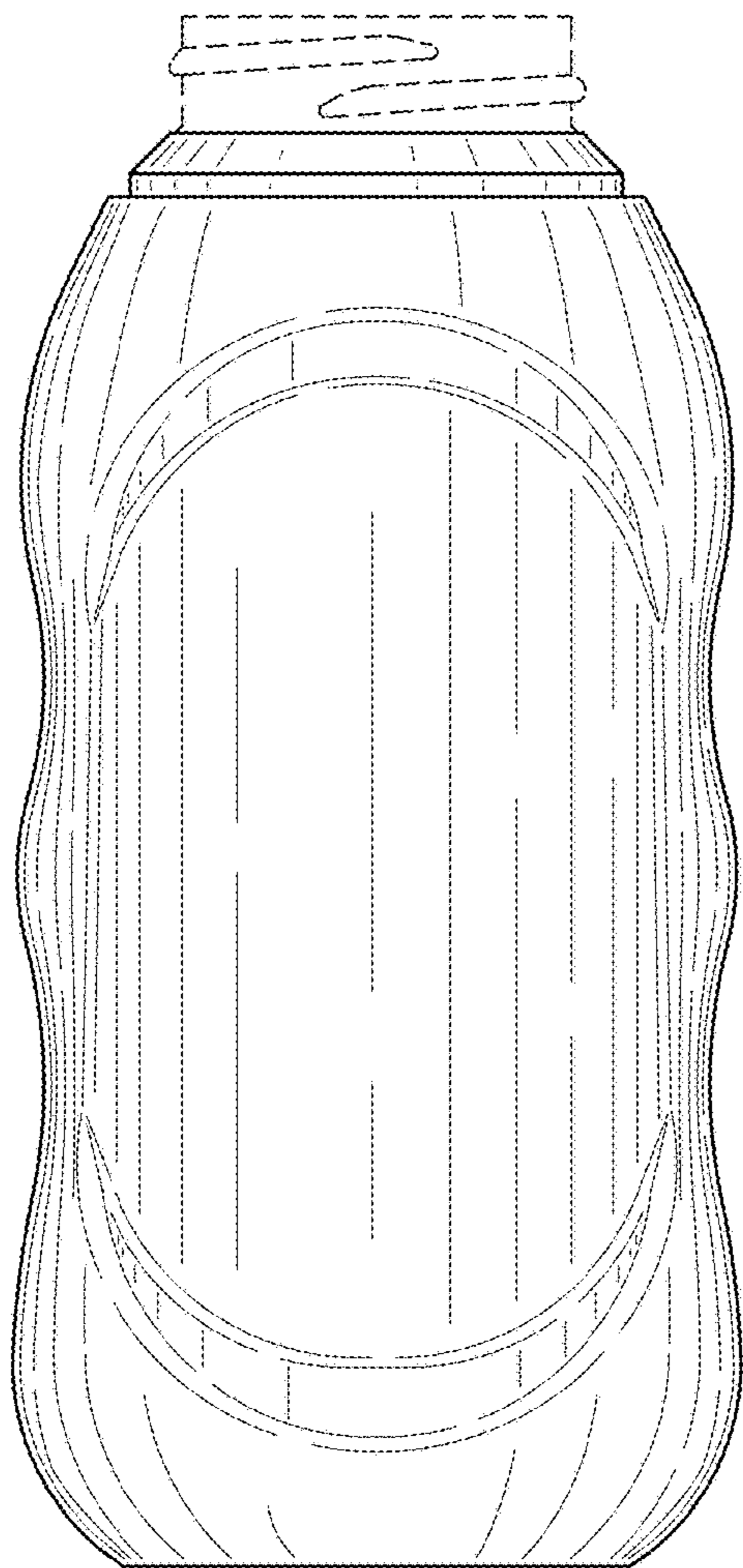


FIG. 2

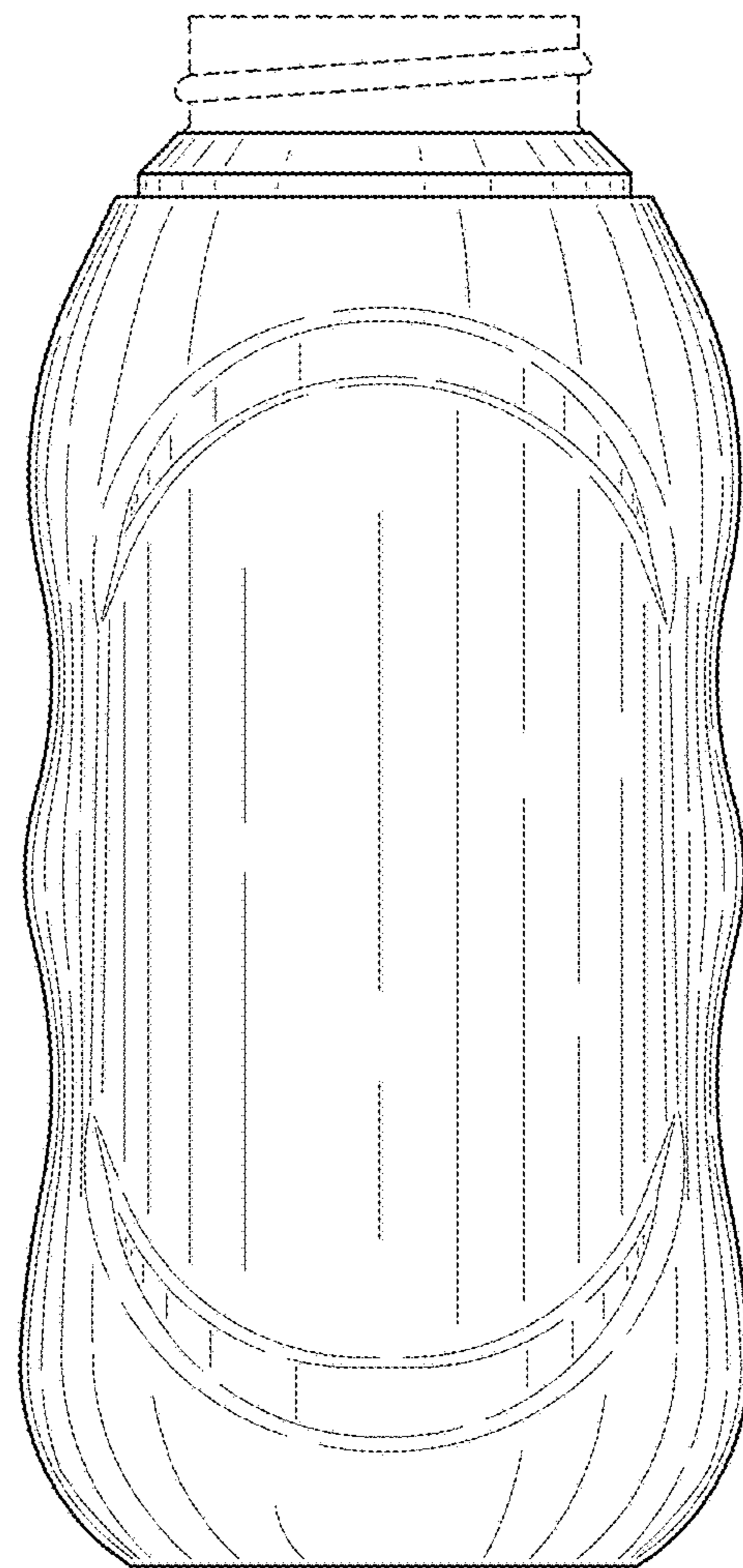


FIG. 3

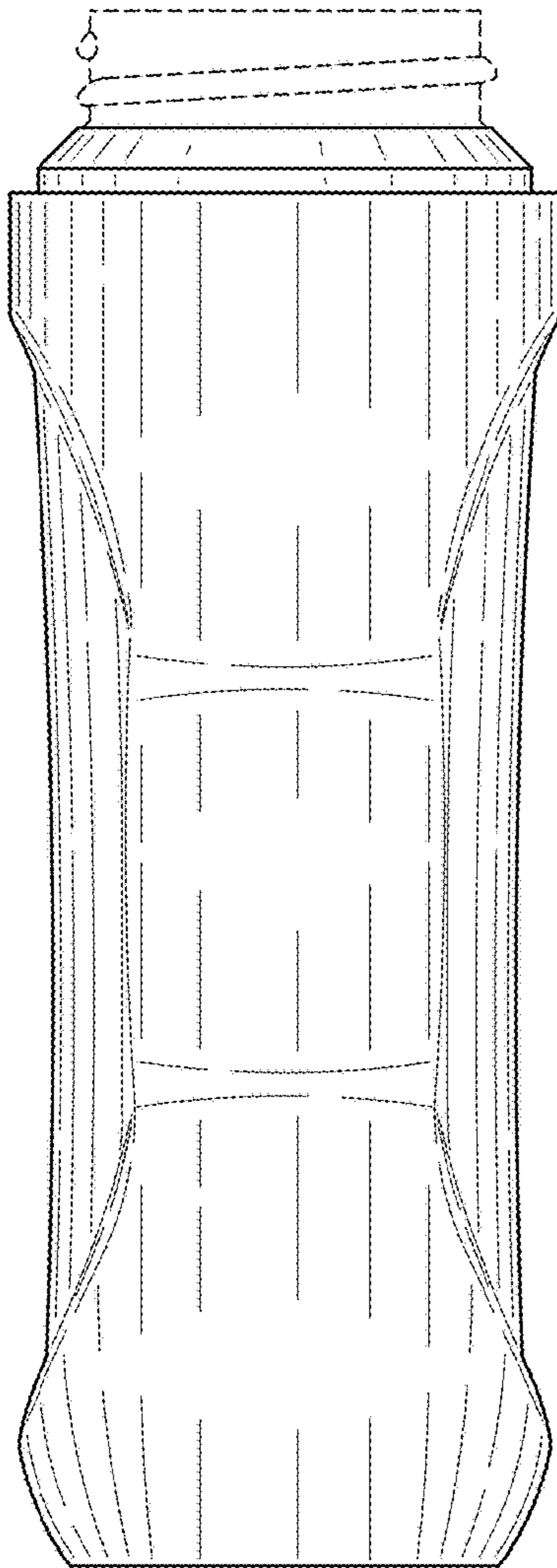


FIG. 4

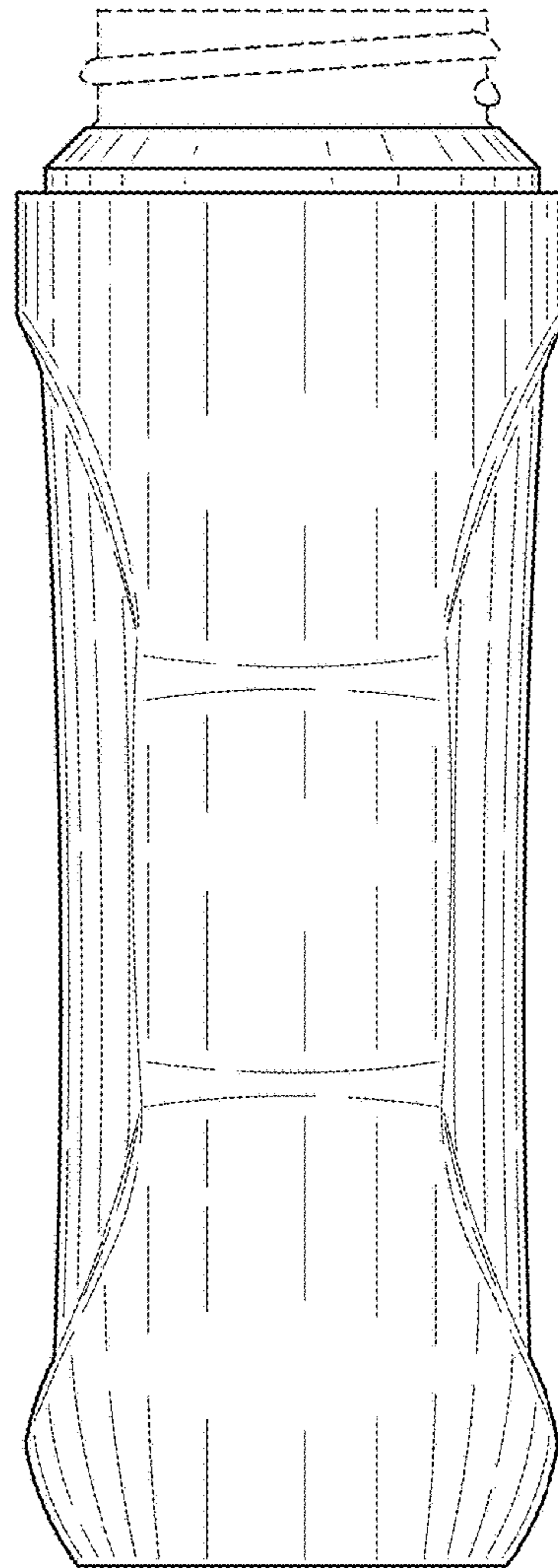


FIG. 5

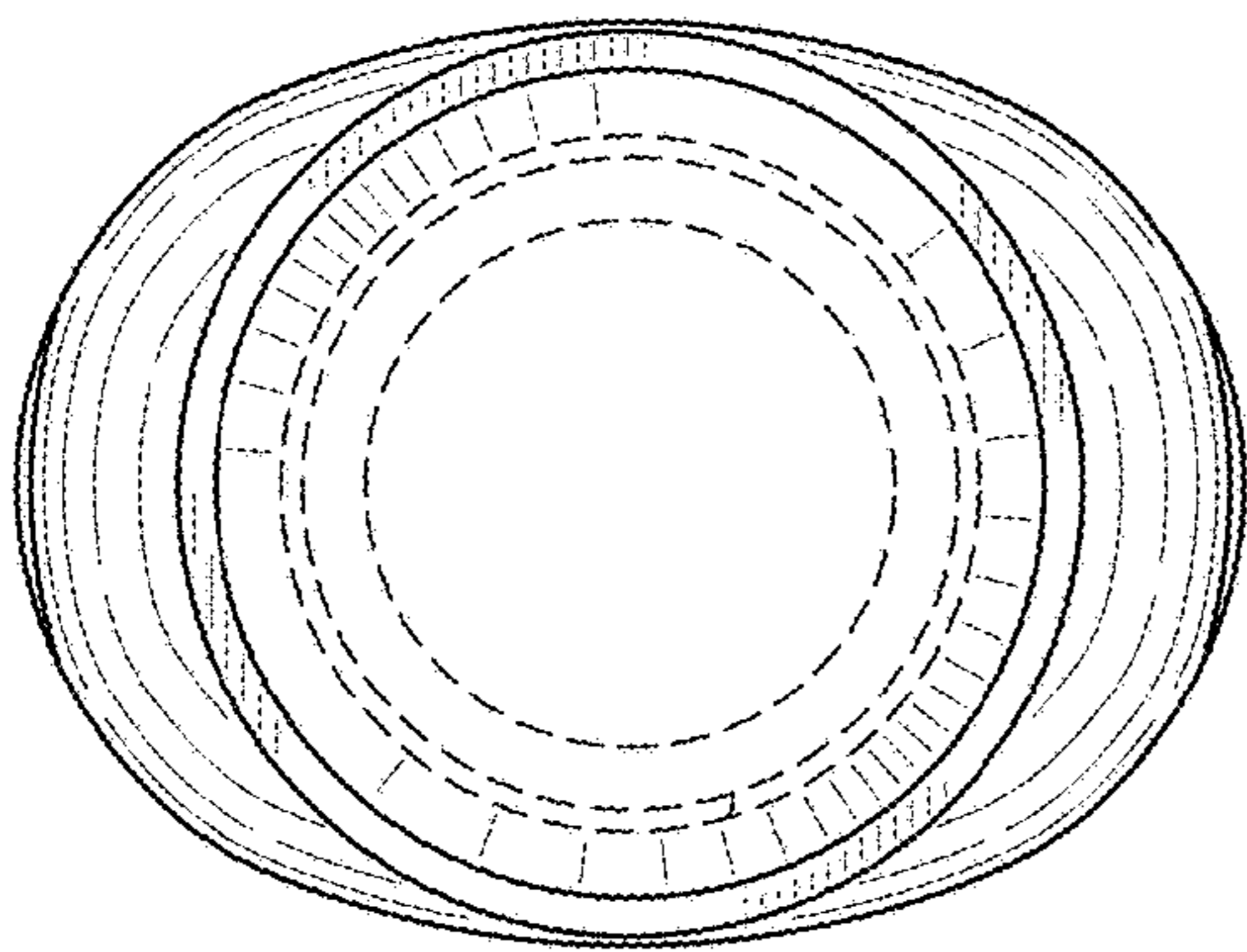


FIG. 6

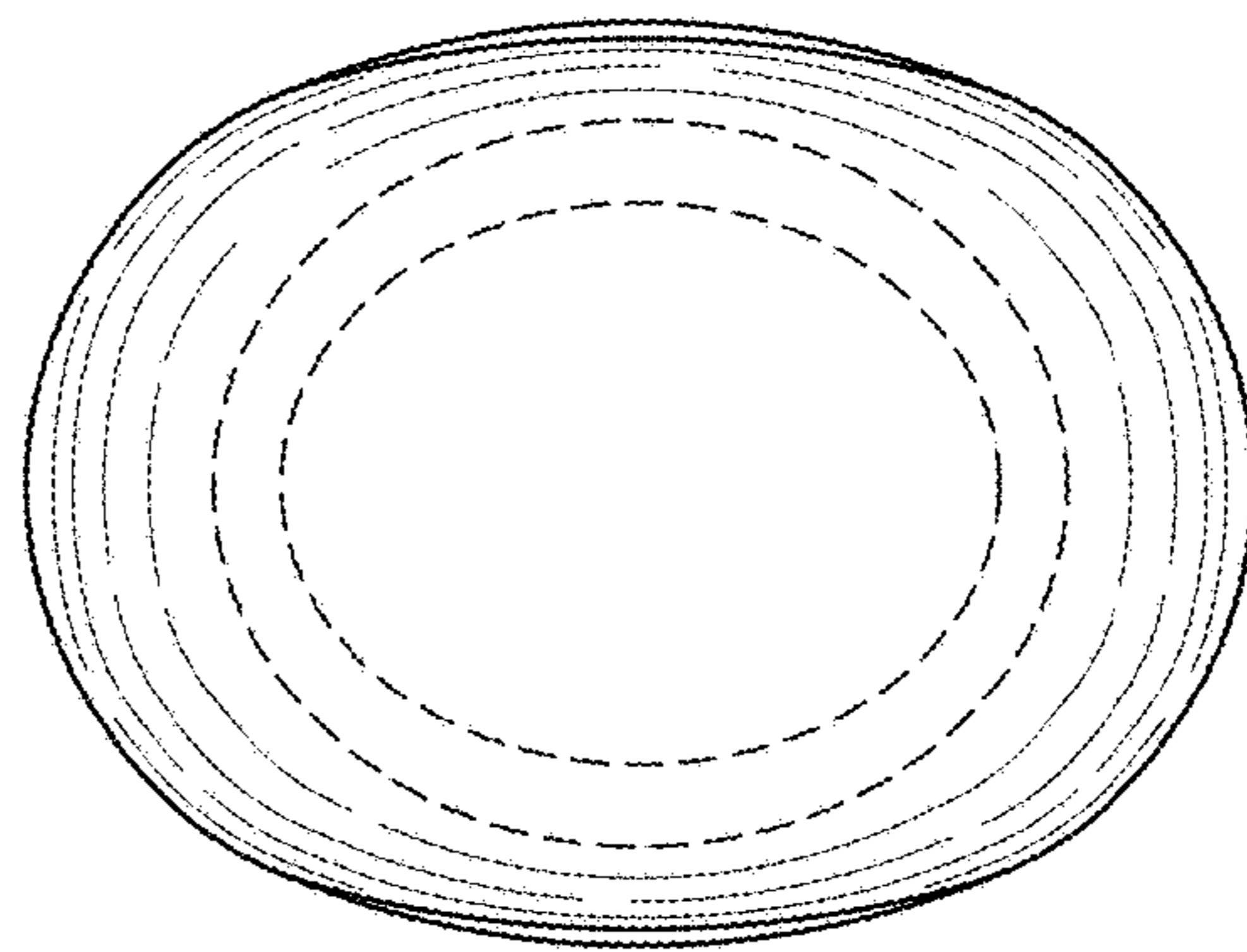


FIG. 7