



US00D812476S

(12) **United States Design Patent**
Bergeron et al.

(10) **Patent No.:** **US D812,476 S**
(45) **Date of Patent:** **** Mar. 13, 2018**

(54) **PACKING TRAY**
(71) Applicant: **Tekni-Plex, Inc.**, Wayne, PA (US)
(72) Inventors: **Mark A. Bergeron**, Monroe, GA (US);
Babu Kuruvilla, Griffin, GA (US)
(73) Assignee: **Tekni-Plex, Inc.**, Wayne, PA (US)
(**) Term: **15 Years**

3,866,817 A * 2/1975 Holden, Jr. B65D 1/34
206/521.1
D272,505 S * 2/1984 Daenen D7/359
D274,693 S * 7/1984 Cruz D9/425
D293,193 S * 12/1987 Vandervoort D7/354
4,770,293 A * 9/1988 Craig B65B 11/52
206/471
4,832,208 A * 5/1989 Finnegan A47F 5/005
206/564

(Continued)

(21) Appl. No.: **29/592,153**
(22) Filed: **Jan. 27, 2017**
(51) **LOC (11) Cl.** **09-07**
(52) **U.S. Cl.**
USPC **D9/456; D9/756**
(58) **Field of Classification Search**
USPC D9/737, 721, 748, 749, 756, 501, 414,
D9/424, 434, 455-457, 759; D3/304,
D3/295; D7/550.1, 553.1-553.8, 581,
D7/586, 587; D24/227, 229, 230;
428/131; 229/120; 220/4.21; 206/733,
206/528, 486, 485, 427, 461, 828;
D1/106
CPC A61B 10/0096; A61B 50/20; A61B 50/30;
A61C 2202/00; A61J 1/16; A63B 57/203;
B25H 3/003; B44D 3/125; B65D
73/0092; B65D 81/025
See application file for complete search history.

OTHER PUBLICATIONS

“Dolco develops new processor trays for meat and poultry product”, available Dec. 8, 2017, [online], [site visited Dec. 18, 2017]. Available from internet, <URL: <http://foodproducts.packaging-business-review.com/news/dolco-develops-new-processor-trays-for-meat-and-poultry-products-081217-5997662> (Year: 2017).*

(Continued)

Primary Examiner — Cathron C Brooks
Assistant Examiner — W. A. Teddy Falloway
(74) *Attorney, Agent, or Firm* — Polsinelli PC

(57) **CLAIM**

The ornamental design for a packing tray, as shown and described.

DESCRIPTION

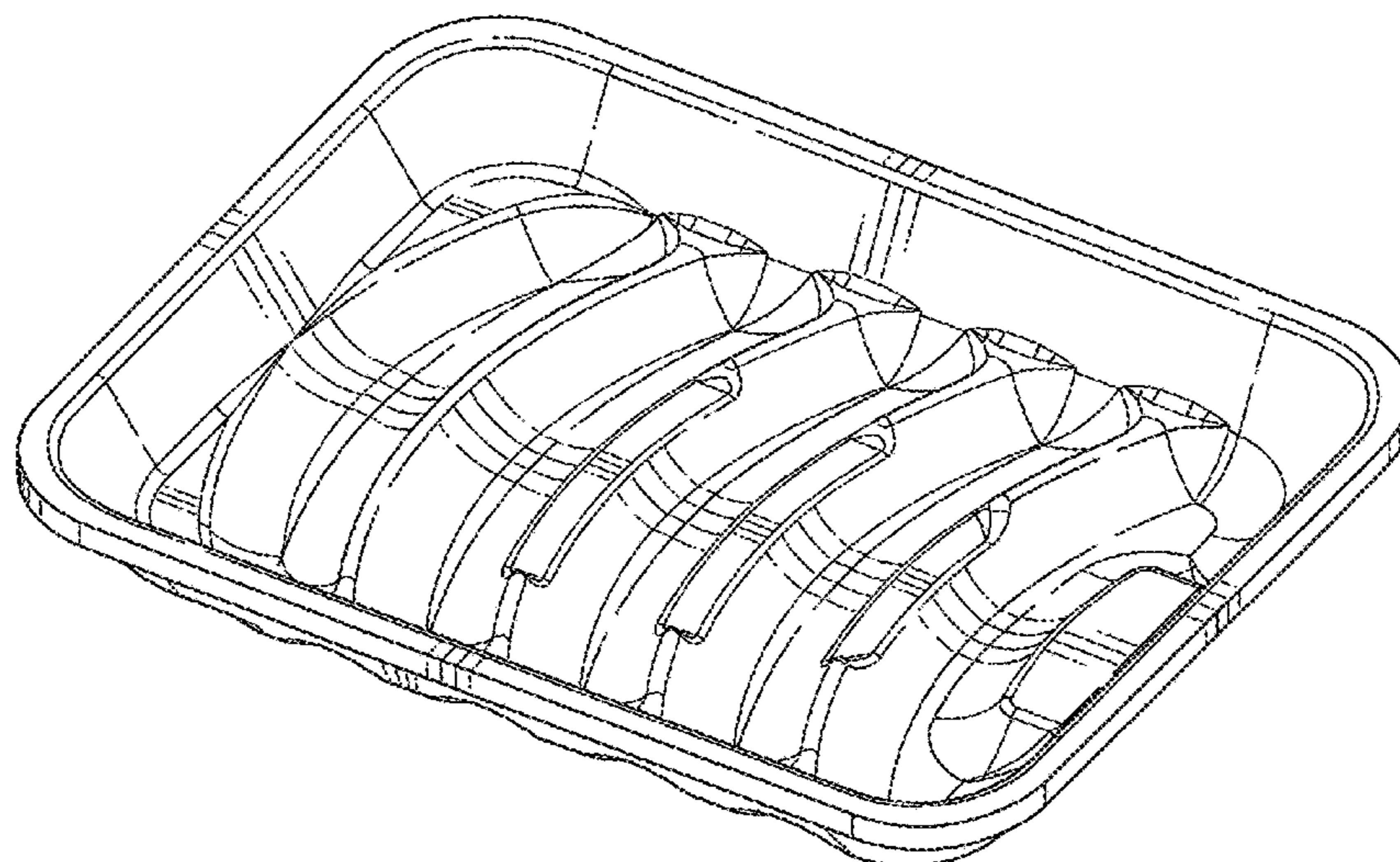
FIG. 1 is a top perspective view of a packing tray according to our new design.
FIG. 2 is a bottom perspective view of the tray of FIG. 1, rotated 180°.
FIG. 3 is a rear elevational view of the tray of FIG. 1.
FIG. 4 is a front elevational view of the tray of FIG. 1.
FIG. 5 is a right end elevational view of the tray of FIG. 1.
FIG. 6 is a left end elevational view of the tray of FIG. 1.
FIG. 7 is a top plan view of the tray of FIG. 1; and,
FIG. 8 is a bottom plan view of the tray of FIG. 1.

1 Claim, 8 Drawing Sheets

(56) **References Cited**

U.S. PATENT DOCUMENTS

1,351,285 A * 8/1920 Chess A01M 1/2011
294/172
D177,360 S * 4/1956 Becker et al. 126/9 A
2,918,379 A * 12/1959 Lurie B65D 81/262
206/557
3,264,120 A * 8/1966 Westcott B65D 1/34
220/62.11
3,591,032 A * 7/1971 Baxter B65D 1/36
108/53.1



(56)

References Cited

U.S. PATENT DOCUMENTS

4,834,243 A * 5/1989 Langenbeck B65B 5/068
206/203
5,018,623 A 5/1991 Hrenyo
D353,302 S * 12/1994 Fish D7/504
D353,765 S * 12/1994 Kocis D9/761
D354,197 S * 1/1995 Fish D7/504
5,394,986 A * 3/1995 Oya B65D 21/0212
206/445
D374,151 S * 10/1996 Malvasio D7/504
D378,561 S * 3/1997 Ferris D7/359
D378,895 S * 4/1997 Bankier D9/456
5,770,249 A * 6/1998 Mello B65D 75/327
206/471
5,820,904 A 10/1998 Mello et al.
5,934,472 A 8/1999 Ramirez et al.
D417,592 S * 12/1999 Jeppesen D7/502
D451,347 S * 12/2001 Kleckauskas D7/359
D480,736 S * 10/2003 Wright D15/90
D485,725 S * 1/2004 Real D6/629
D487,971 S * 4/2004 Bergeron D3/313
D516,914 S * 3/2006 Ducharme D9/456
D523,751 S * 6/2006 Vetrano D9/456
D569,196 S * 5/2008 Angel D7/637

D586,056 S * 2/2009 Shea D32/53.1
D633,754 S 3/2011 Benson
D656,821 S * 4/2012 Marcoux D9/456
D694,561 S * 12/2013 Eckert D6/705
9,044,077 B1 * 6/2015 Lin A45D 44/00
D751,291 S * 3/2016 MacNeil D3/304
D803,598 S * 11/2017 Li D6/536
2001/0006153 A1 * 7/2001 Merrell B65D 43/162
206/721
2010/0230322 A1 * 9/2010 Nicholson B65D 1/34
206/560
2011/0048250 A1 * 3/2011 Liu A47J 37/067
99/426
2017/0253362 A1 * 9/2017 Stevenson B65D 1/36

OTHER PUBLICATIONS

Tekni-Films, available Jan. 17, 2017, [online], [site visited Dec. 18, 2017]. Available from internet, <URL: <https://www.medicalplasticsnews.com/news/tekni-films-discussing-its-latest-rigid-and-flexible-packagi/> (Year: 2017).*

Nzfresh Sausage Tray, available Dec. 18, 2017, [online], [site visited Dec. 18, 2017]. Available from internet, <URL: <http://www.nzfresh.net/new-product-1/> (Year: 2017).*

* cited by examiner

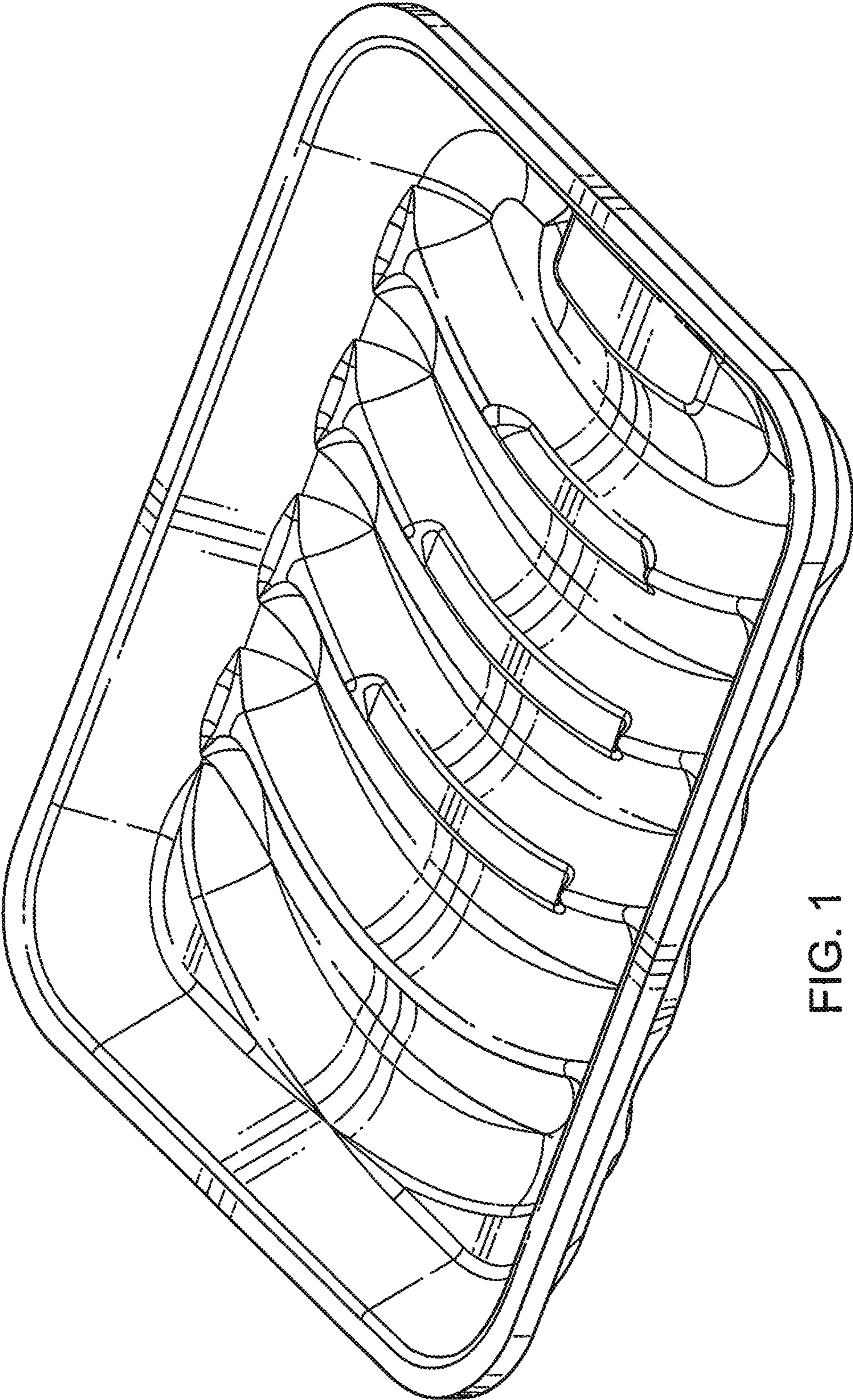


FIG. 1

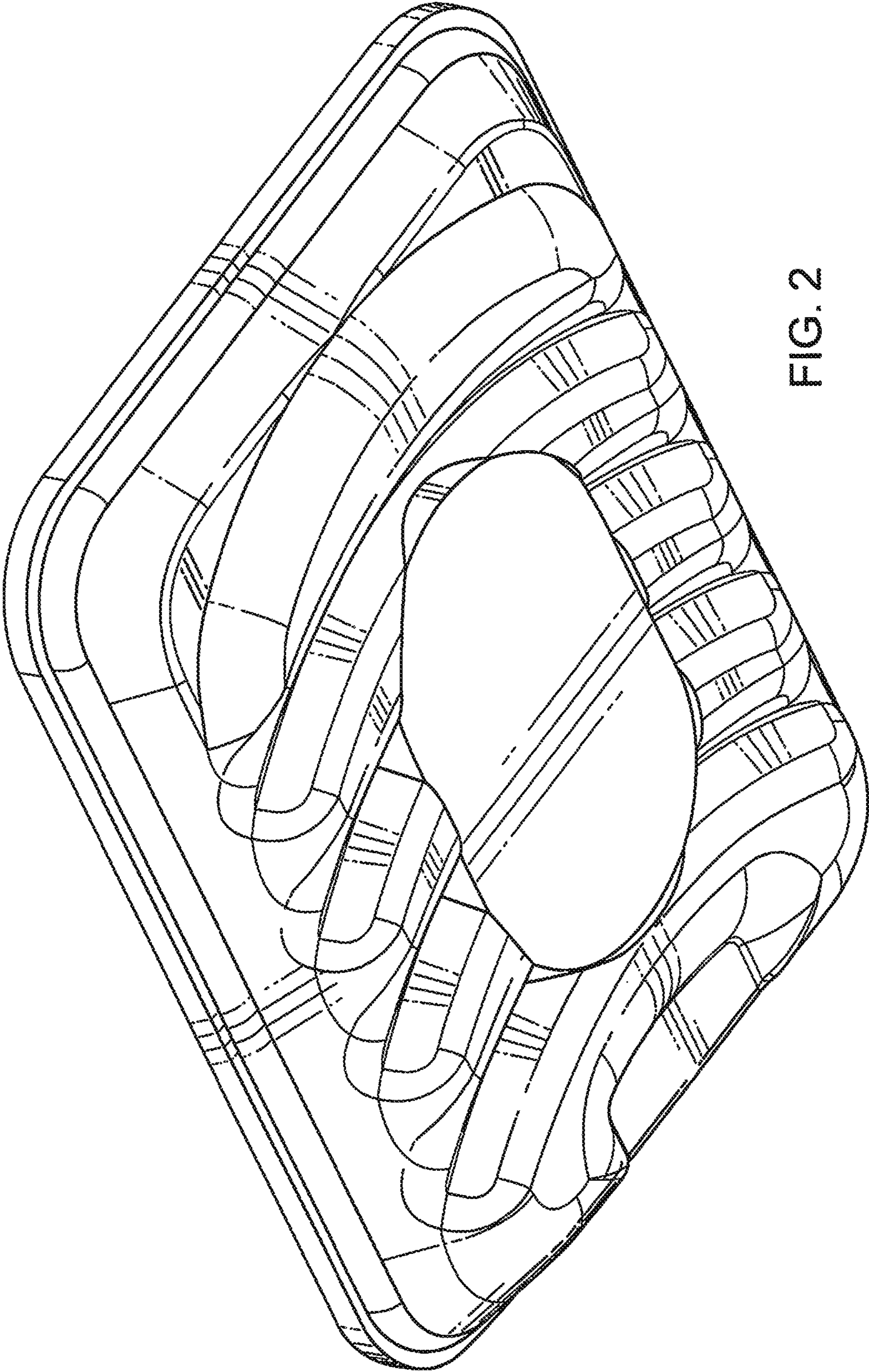


FIG. 2

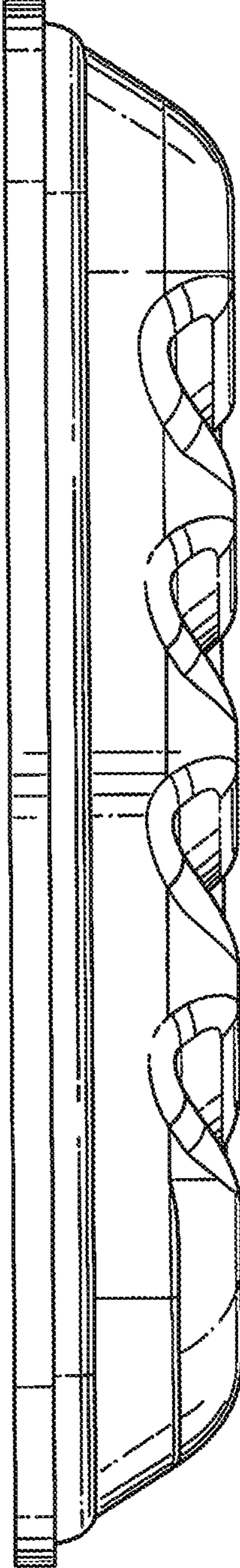


FIG. 3

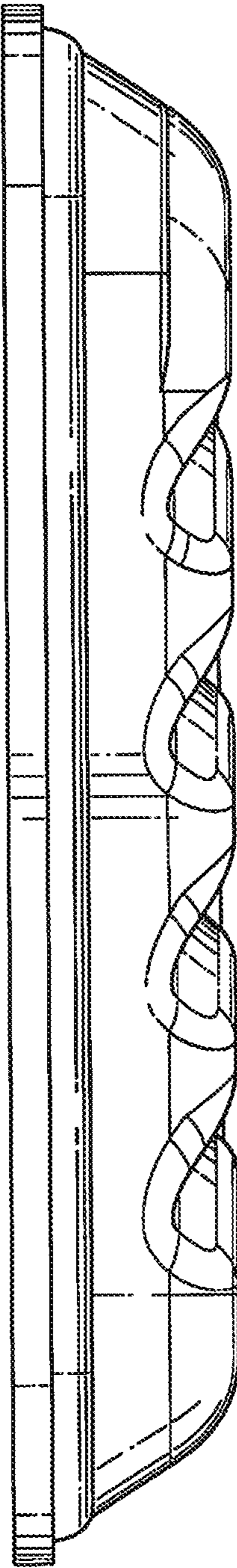


FIG. 4

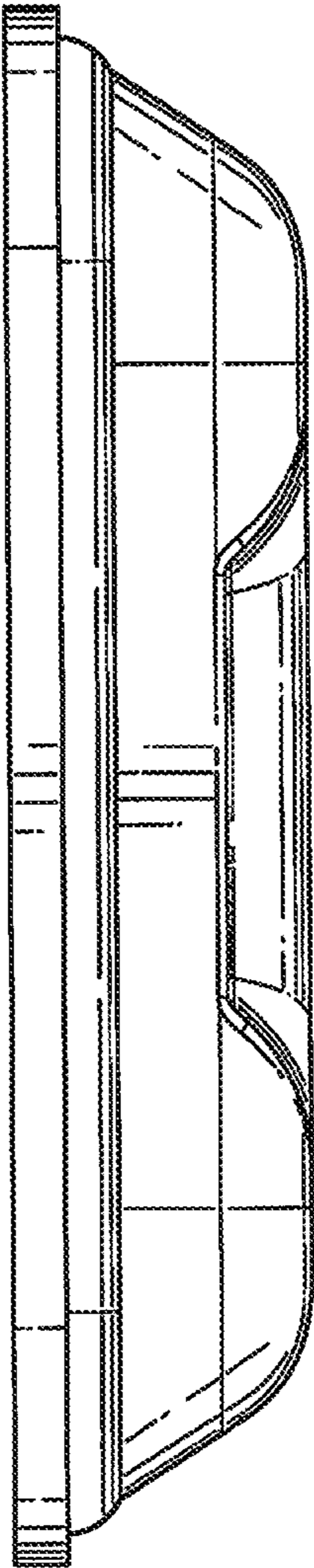


FIG. 5

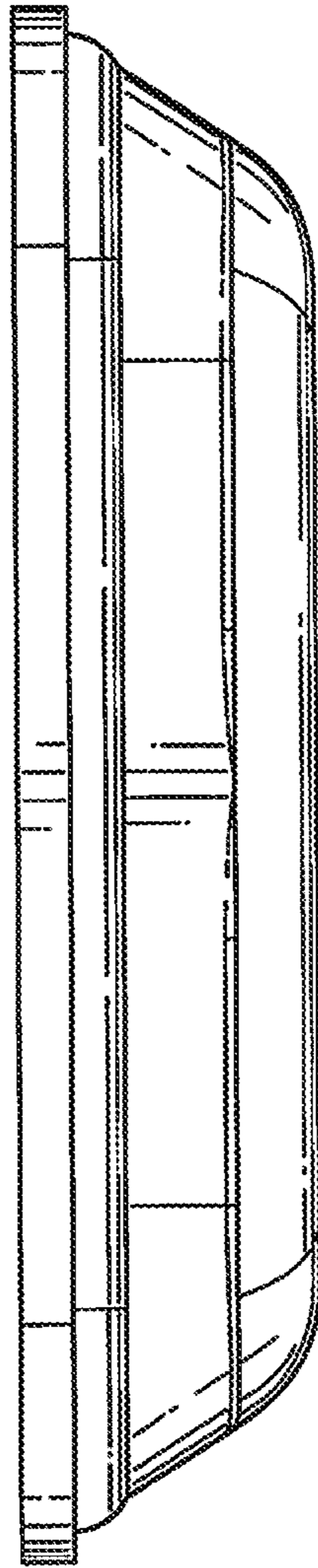


FIG. 6

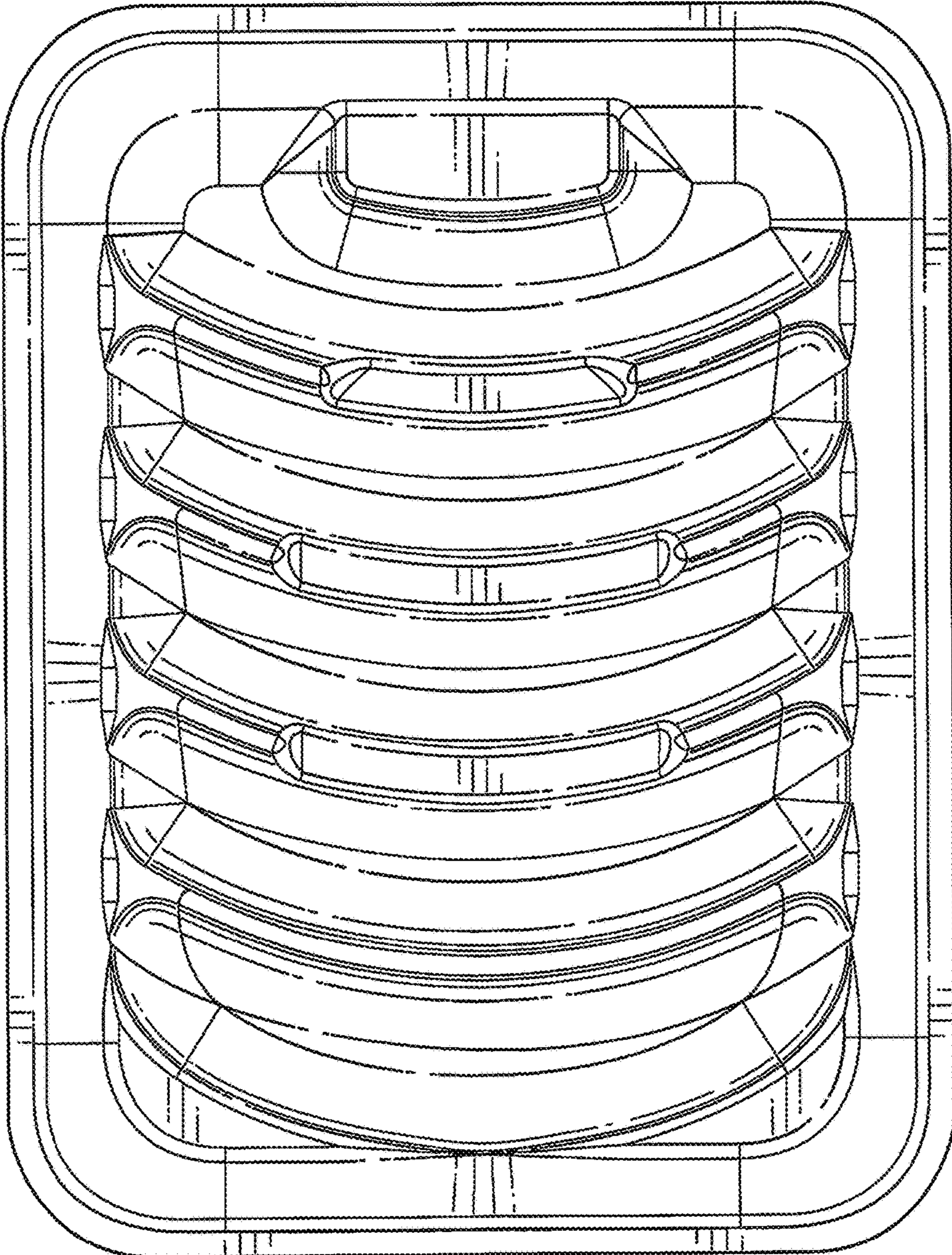


FIG. 7

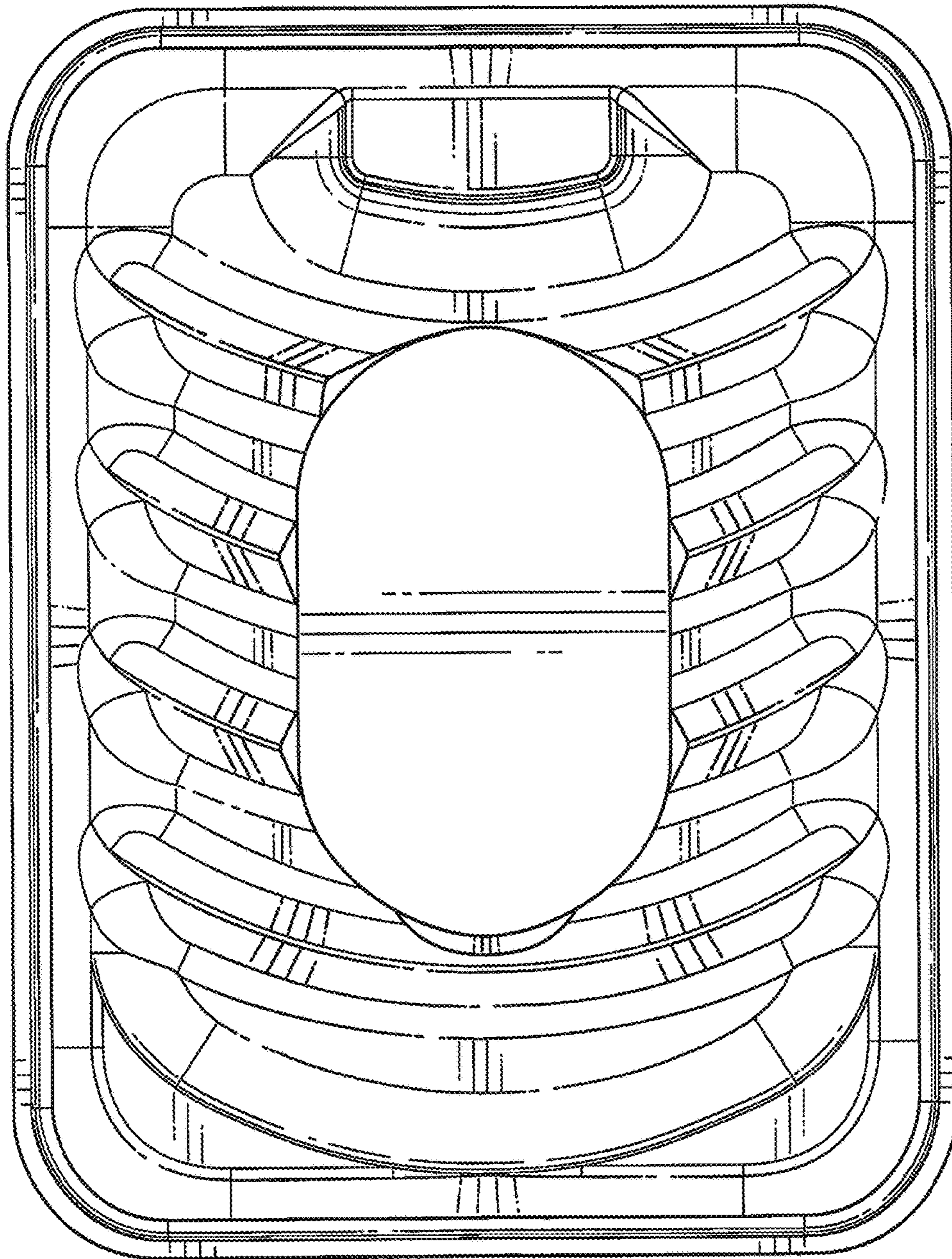


FIG. 8