



US00D812475S

(12) **United States Design Patent**
Kauffman et al.

(10) **Patent No.:** **US D812,475 S**
(45) **Date of Patent:** **** Mar. 13, 2018**

- (54) **ANGLED CONTAINER HOLDER**
- (71) Applicants: **Emmet F. Kauffman**, San Francisco, CA (US); **Caleb F. Kauffman**, San Francisco, CA (US)
- (72) Inventors: **Emmet F. Kauffman**, San Francisco, CA (US); **Caleb F. Kauffman**, San Francisco, CA (US)
- (**) Term: **15 Years**
- (21) Appl. No.: **29/560,261**
- (22) Filed: **Apr. 5, 2016**
- (51) **LOC (11) Cl.** **09-07**
- (52) **U.S. Cl.**
USPC **D9/455**
- (58) **Field of Classification Search**
USPC D9/428, 429, 434, 435, 442, 443, D9/445-450, 453-456, 499, 682, 684, D9/685; D7/387, 388, 392, 392.1, 393, D7/396.2, 396.3, 396.4, 401.1, 408, 504, D7/507, 509-511, 538, 900; D3/202, D3/203.2, 318; D28/91.1; D6/512, 567, D6/574; D12/217
CPC .. A61J 1/00; A61J 1/1412; B65D 1/00; B65D 1/02; B65D 1/10; B65D 1/46; B65D 2585/56; B65D 2585/545; B65D 41/00; B65D 41/38; B65D 41/56; B65D 41/62; B65D 47/00; B65D 47/06; B65D 47/08; B65D 2543/00046; B65D 2543/00092; B65D 2543/00296; B65D 5/46; B65D 2251/00
See application file for complete search history.

- (56) **References Cited**
U.S. PATENT DOCUMENTS
1,929,482 A * 10/1933 Copeland A47B 23/042
108/29
D263,191 S * 3/1982 Moore D19/90

- D279,851 S * 7/1985 Willis D6/682.3
- 4,671,404 A * 6/1987 Wall A47G 21/001
206/45.24
- D318,805 S * 8/1991 Imeson D9/434
- 5,161,699 A * 11/1992 Hanna A47F 5/11
211/130.1
- 5,322,008 A * 6/1994 Dixon B65B 27/083
100/212
- D380,680 S * 7/1997 Sun D9/456
- D402,560 S * 12/1998 Fogle D9/455
- D414,110 S * 9/1999 Gueret D9/435
- D509,407 S * 9/2005 Fife D7/504
- D637,035 S * 5/2011 Zorovich D7/387
- D705,055 S * 5/2014 Donaldson D9/434
- 2010/0225039 A1 * 9/2010 MacLean B25H 1/00
269/289 R
- 2016/0339738 A1 * 11/2016 Kauffman B44D 3/14

* cited by examiner

Primary Examiner — Karen S Acker
Assistant Examiner — Wendy Arminio
(74) *Attorney, Agent, or Firm* — McDonnell Boehnen Hulbert & Berghoff LLP

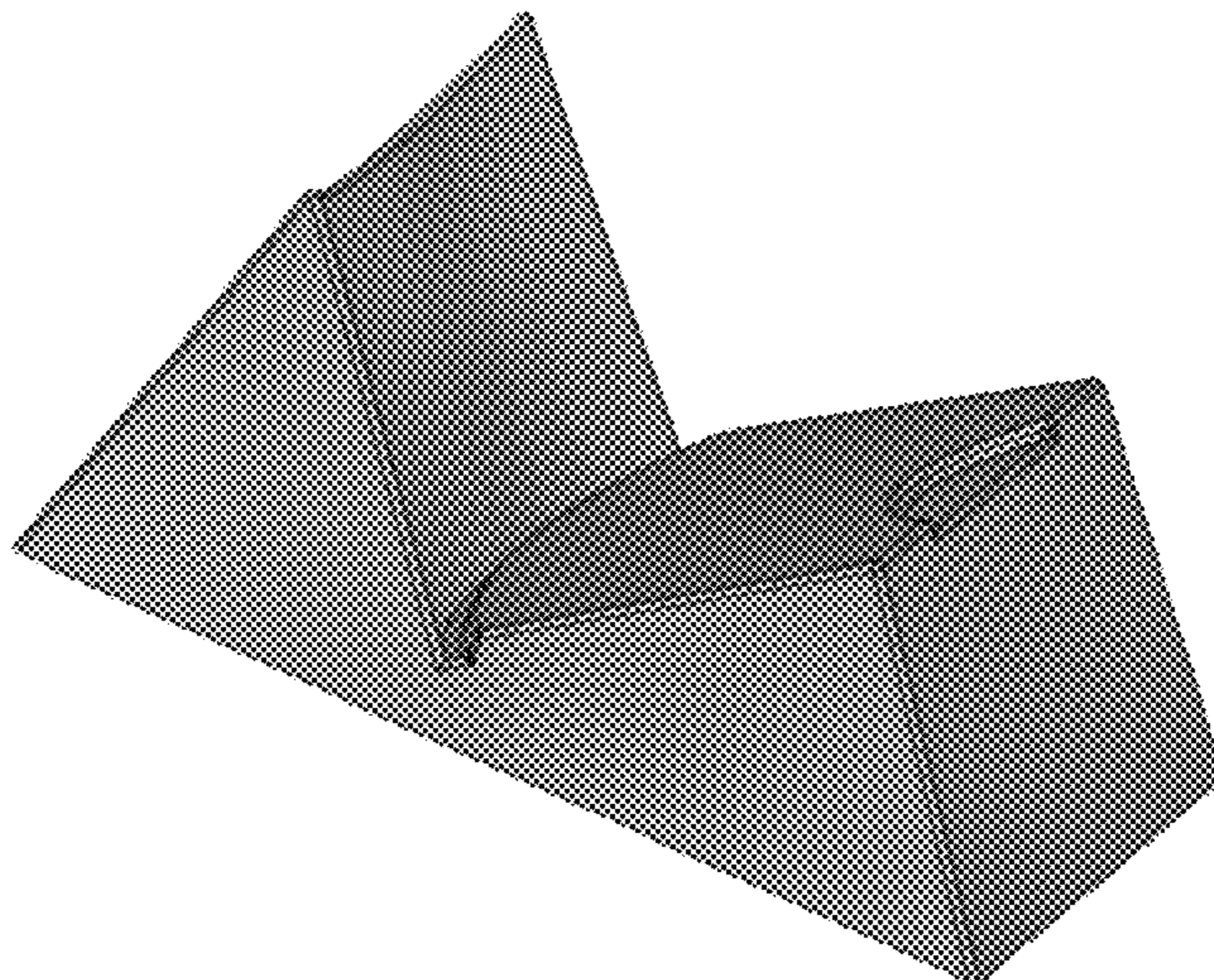
(57) **CLAIM**

The ornamental design for an angled container holder, as shown and described.

DESCRIPTION

FIG. 1 is a perspective view showing the top, front and left side of an angled container holder of the inventive design; FIG. 2 is a top view of the angled container holder shown in FIG. 1; FIG. 3 is a bottom view of the angled container holder shown in FIG. 1; and, FIG. 4 is a left side view of the angled container holder shown in FIG. 1 wherein the right side is a mirror image thereof.

1 Claim, 3 Drawing Sheets



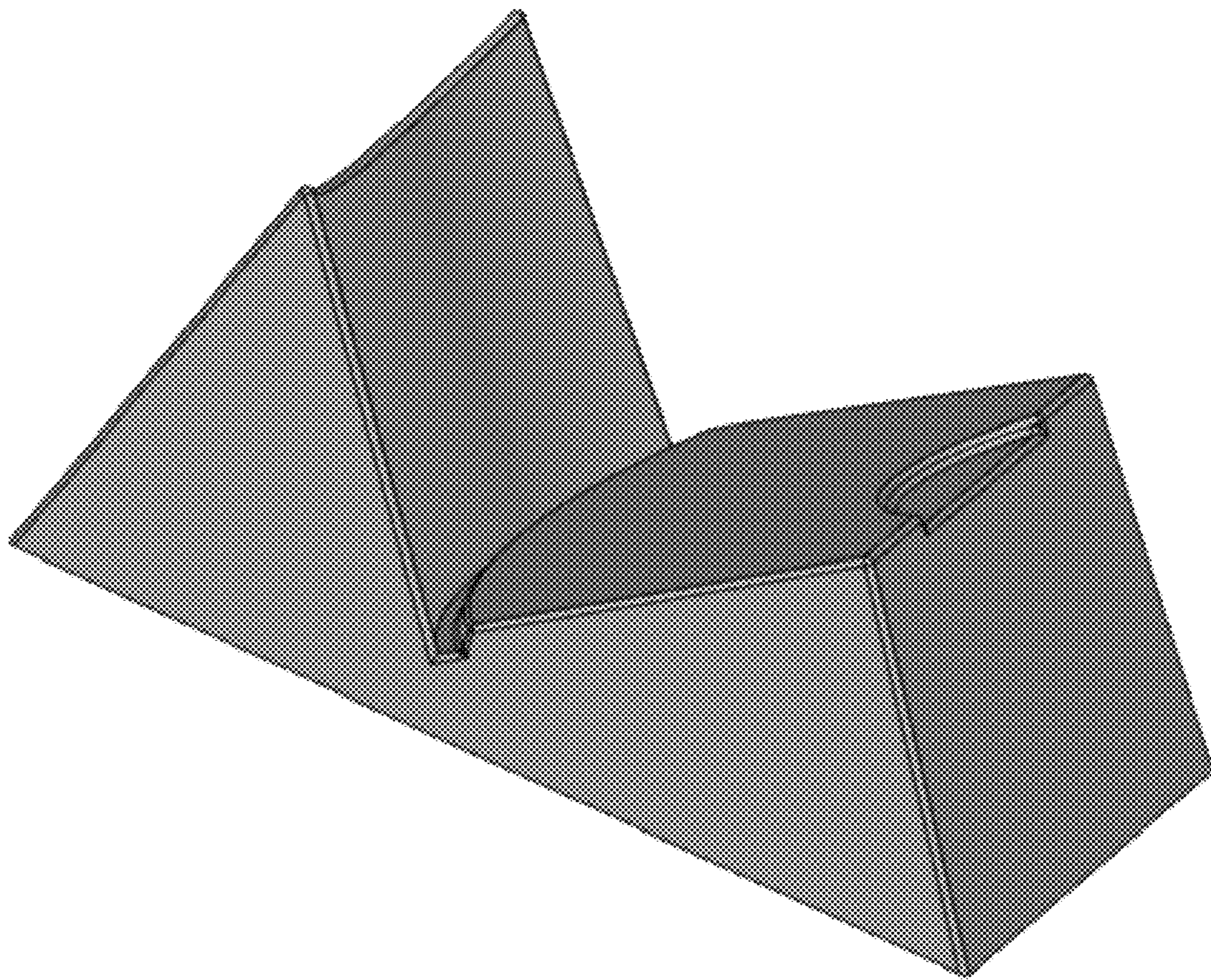


Figure 1

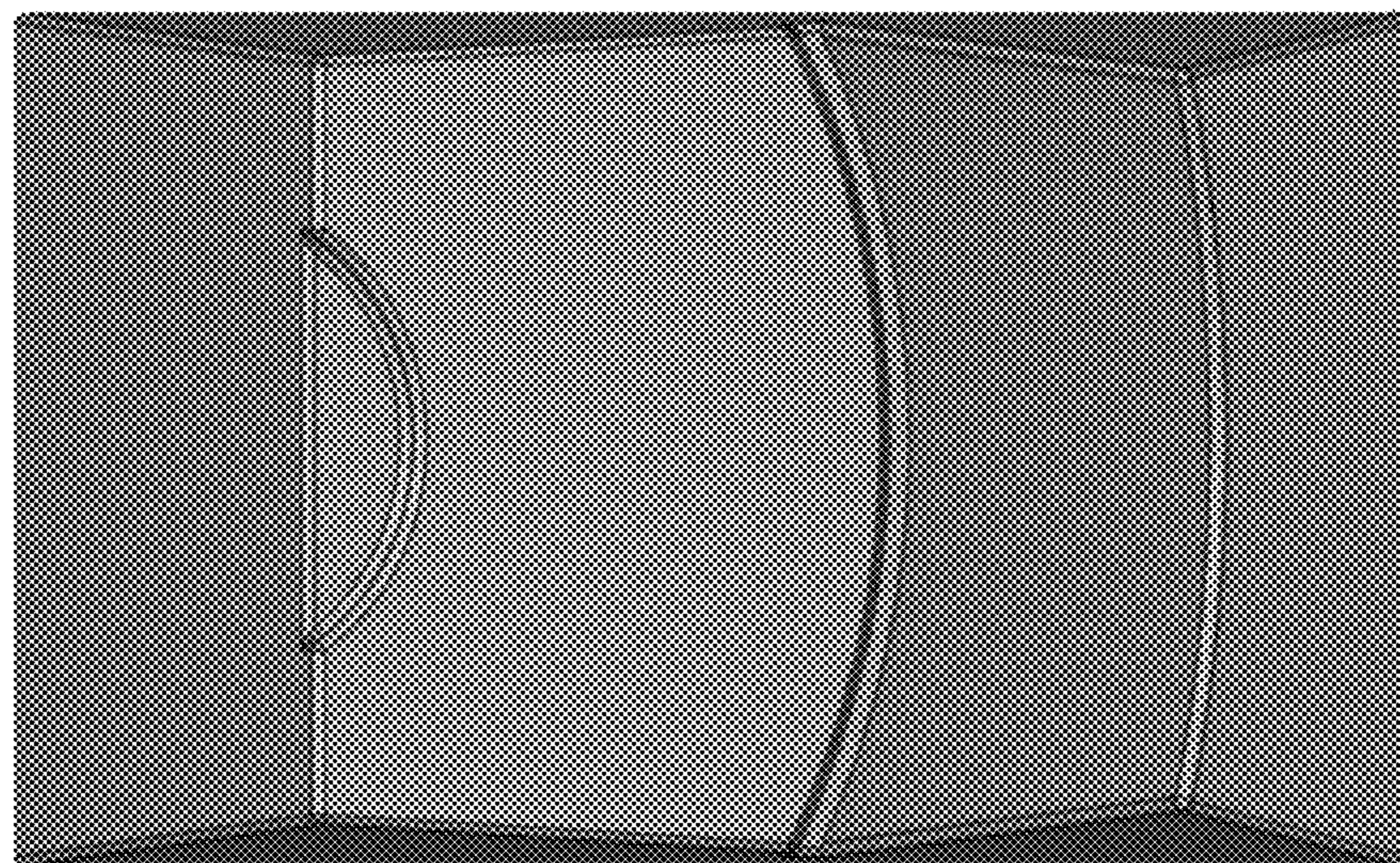


Figure 2

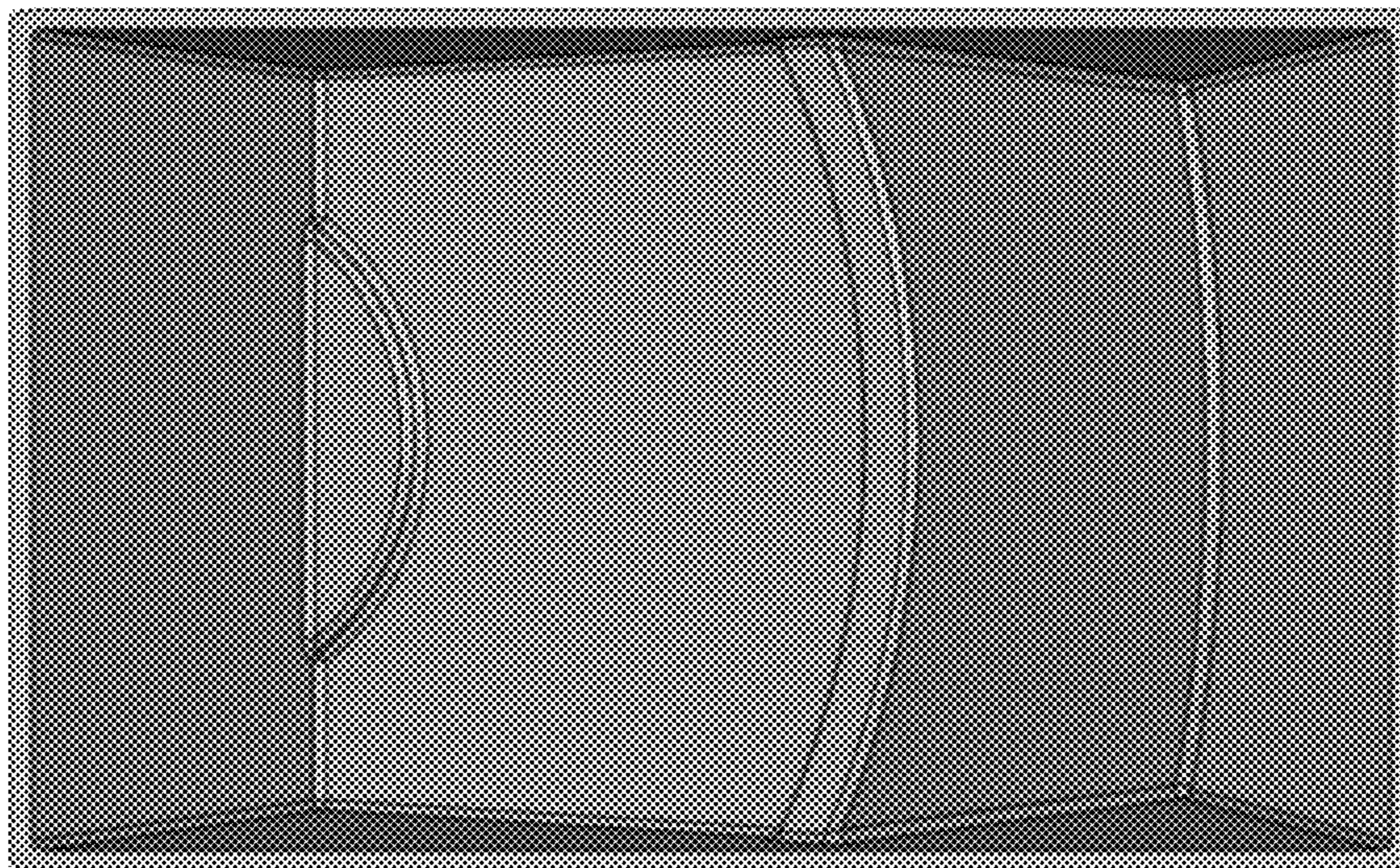


Figure 3

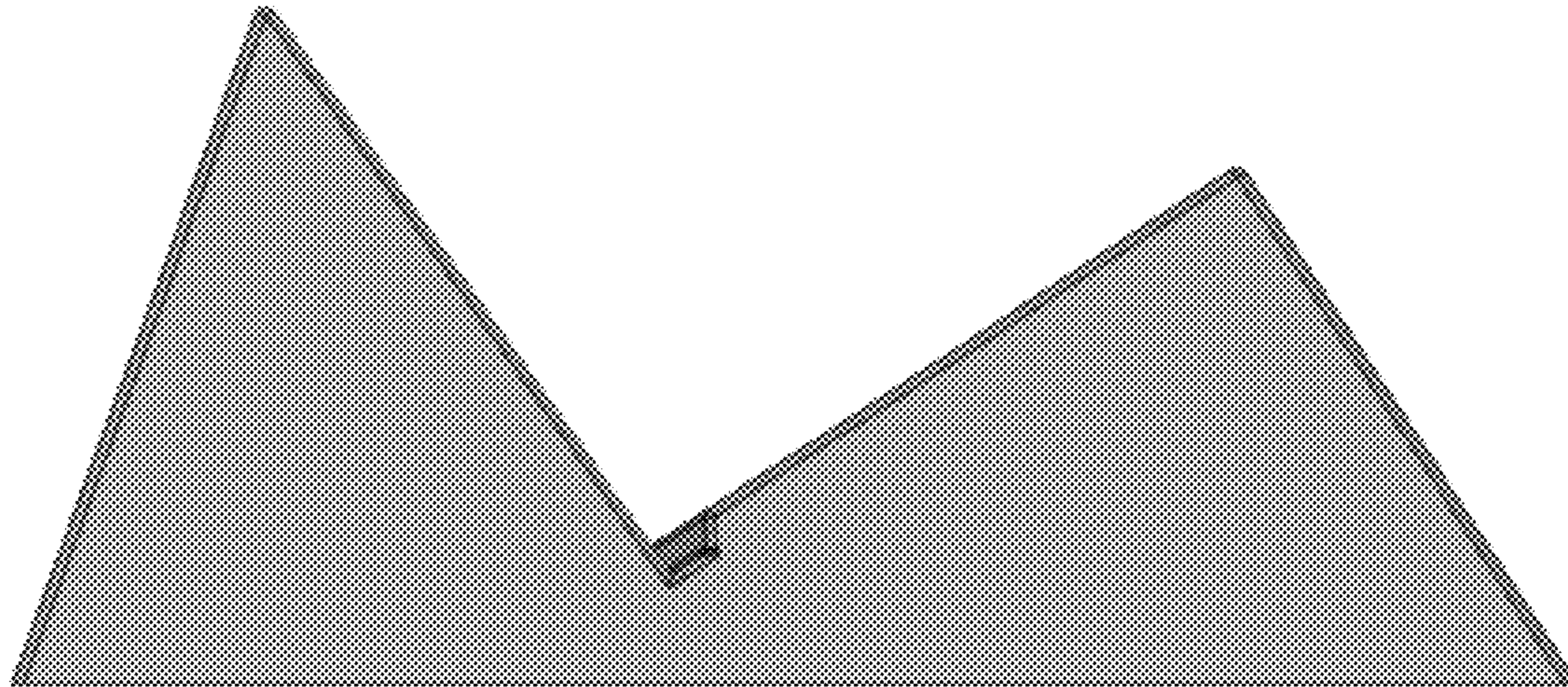


Figure 4