



US00D812472S

(12) **United States Design Patent** (10) **Patent No.:** **US D812,472 S**
Sefton (45) **Date of Patent:** **** Mar. 13, 2018**

(54) **PACKAGING**

(71) Applicant: **Drew Brady & Co. Ltd**, Bolton (GB)
(72) Inventor: **Craig William Sefton**, Bolton (GB)
(73) Assignee: **Drew Brady & Co. Ltd**, Deane, Bolton (GB)

(**) Term: **15 Years**

(21) Appl. No.: **29/586,013**

(22) Filed: **Nov. 30, 2016**

(30) **Foreign Application Priority Data**

Jun. 1, 2016 (EM) 003166206-0001
Jun. 1, 2016 (EM) 003166206-0002
Jun. 1, 2016 (EM) 003166206-0003
Jun. 1, 2016 (EM) 003166206-0004
Jun. 1, 2016 (EM) 003166206-0005
Jun. 1, 2016 (EM) 003166206-0006
Jun. 1, 2016 (EM) 003166206-0007

(51) **LOC (11) Cl.** **09-07**

(52) **U.S. Cl.**
USPC **D9/434**; D9/433

(58) **Field of Classification Search**
USPC D9/414-419, 420-423, 430-434, 457,
D9/711, 713, 720-722, 733, 734, 737,
D9/761; D3/290, 304, 305, 315;
D20/10, 22, 27, 28, 39, 40, 42
CPC B65D 5/00; B65D 5/0015; B65D 5/061;
B65D 5/18; B65D 5/20; B65D 5/32;
B65D 5/321; B65D 5/322
See application file for complete search history.

(56) **References Cited**

U.S. PATENT DOCUMENTS

D53,024 S * 2/1919 Trop D20/22
D305,302 S * 1/1990 Beatrice D9/415

D364,342 S * 11/1995 Ruff D9/415
D391,157 S * 2/1998 Snitzer D6/315
D496,265 S * 9/2004 Dossett D9/415
D635,469 S * 4/2011 Buitrago D9/711
D675,094 S * 1/2013 Gotur D9/434
D703,542 S * 4/2014 Arcari D9/415
D762,112 S * 7/2016 Heidl D9/416
D763,675 S * 8/2016 McDonald D9/415
D767,385 S * 9/2016 McDonald D9/415

(Continued)

OTHER PUBLICATIONS

Blue Guard Anti-Abrasion Durability Work Sock. [online]
Retrieved Oct. 27, 2017 from URL: <http://www.sportsmanswarehouse.com/sportsmans/Blue-Guard-Anti-Abrasion-Durability-Work-Sock/productDetail/Mens-Casual-and-Work-Socks/prod99999046603/cat101558>.*

(Continued)

Primary Examiner — Vy N Koenig
(74) *Attorney, Agent, or Firm* — James A. Joyce; Godfrey & Kahn, S.C.

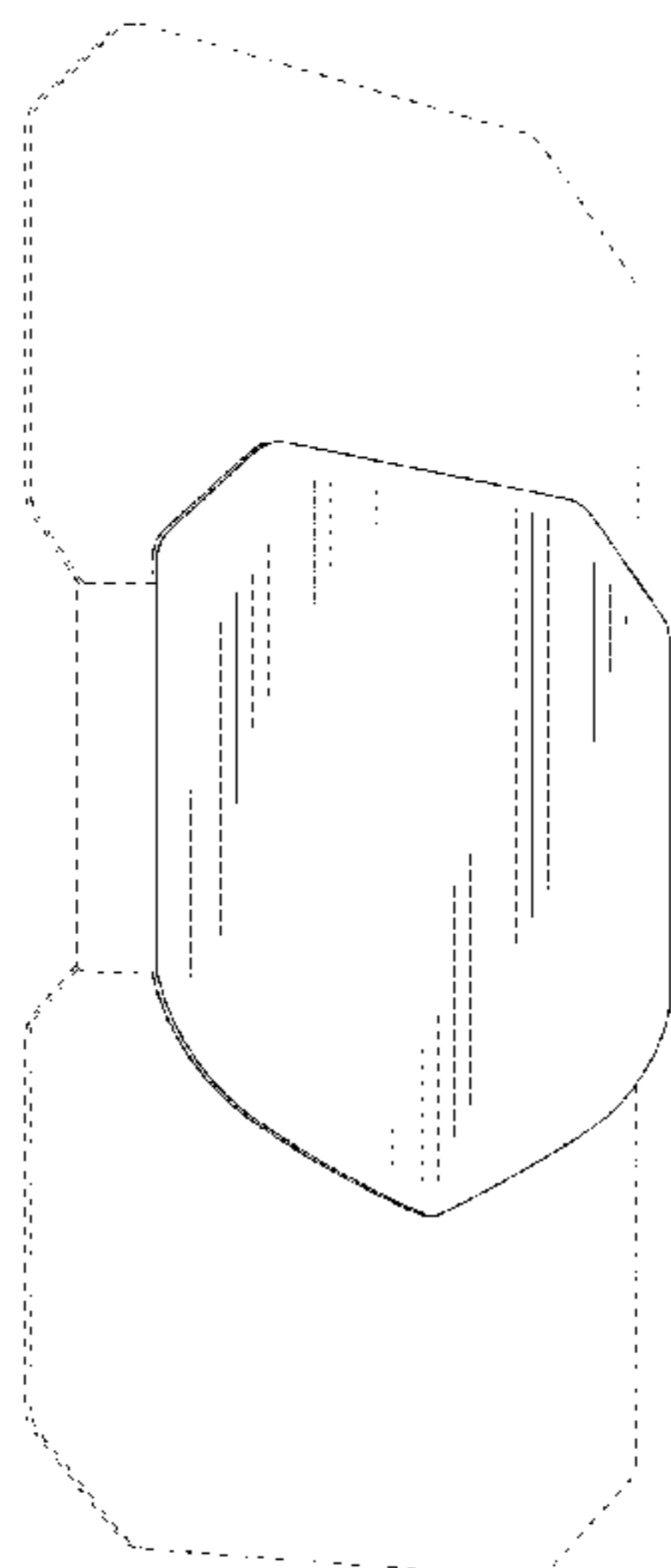
(57) **CLAIM**

I claim the ornamental design for a packaging, as shown and described.

DESCRIPTION

FIG. 1 is a side perspective view of a packaging showing our new design;
FIG. 2 is a front elevation view of the packaging of FIG. 1;
FIG. 3 is a rear elevation view of the packaging of FIG. 1;
FIG. 4 is a right side elevation view of the packaging of FIG. 1;
FIG. 5 is a left side elevation view of the packaging of FIG. 1;
FIG. 6 is a top view of the packaging of FIG. 1; and,
FIG. 7 is a bottom view of the packaging of FIG. 1.
The broken lines in FIGS. 1-7 depict portions of the packaging that form no part of the claimed design.

1 Claim, 5 Drawing Sheets



(56)

References Cited

U.S. PATENT DOCUMENTS

D784,805 S * 4/2017 Perkins D9/430
D798,737 S * 10/2017 Miller D9/711
2010/0059396 A1* 3/2010 Lindars B65D 73/0071
206/299

OTHER PUBLICATIONS

Slaughter Group Zkano. [online] Published on Mar. 28, 2017.
Retrieved Oct. 12, 2017 from URL: <http://slaughtergroup.com/work/packaging/zkano/>.*

Custom Sock Packaging. [online] Retrieved Oct. 12, 2017 from
URL: https://www.alibaba.com/product-detail/custom-sock-packaging-card-sock-packaging_60287951965.html.*

* cited by examiner

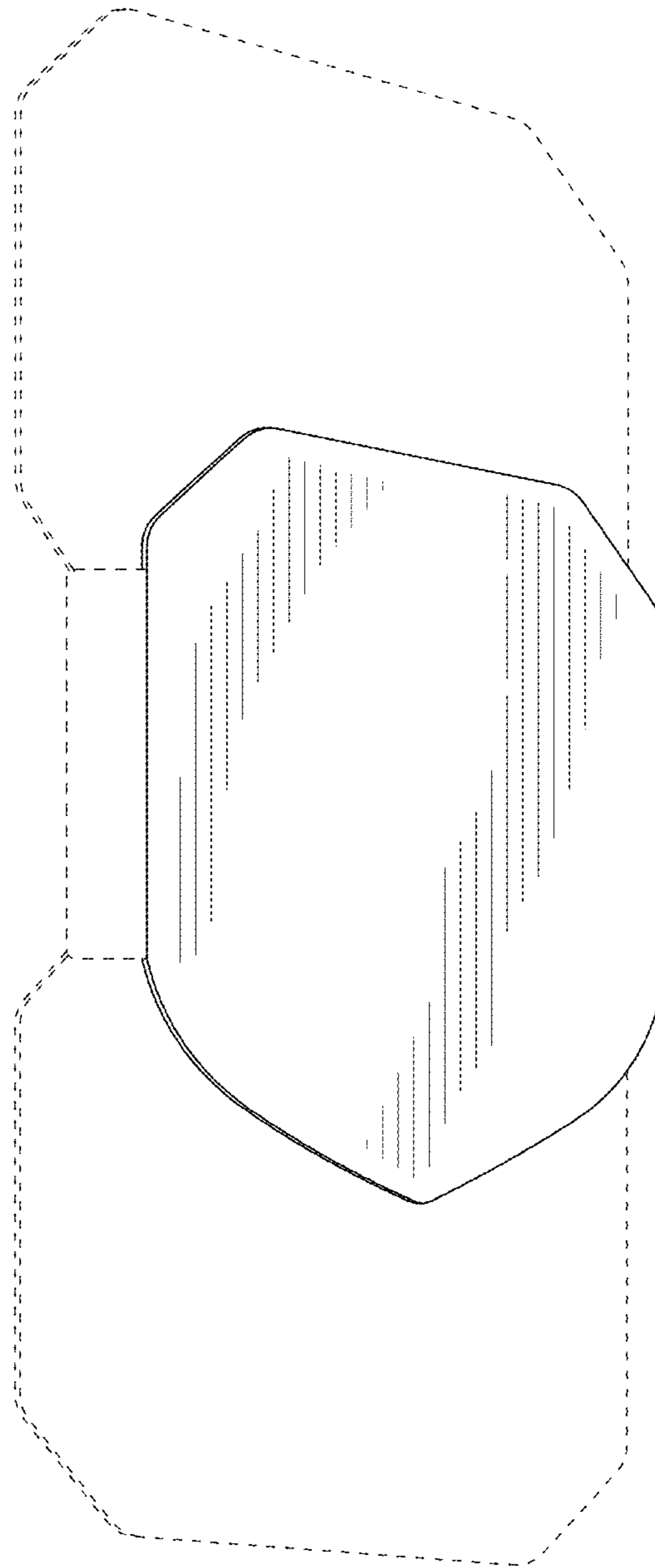


FIG. 1

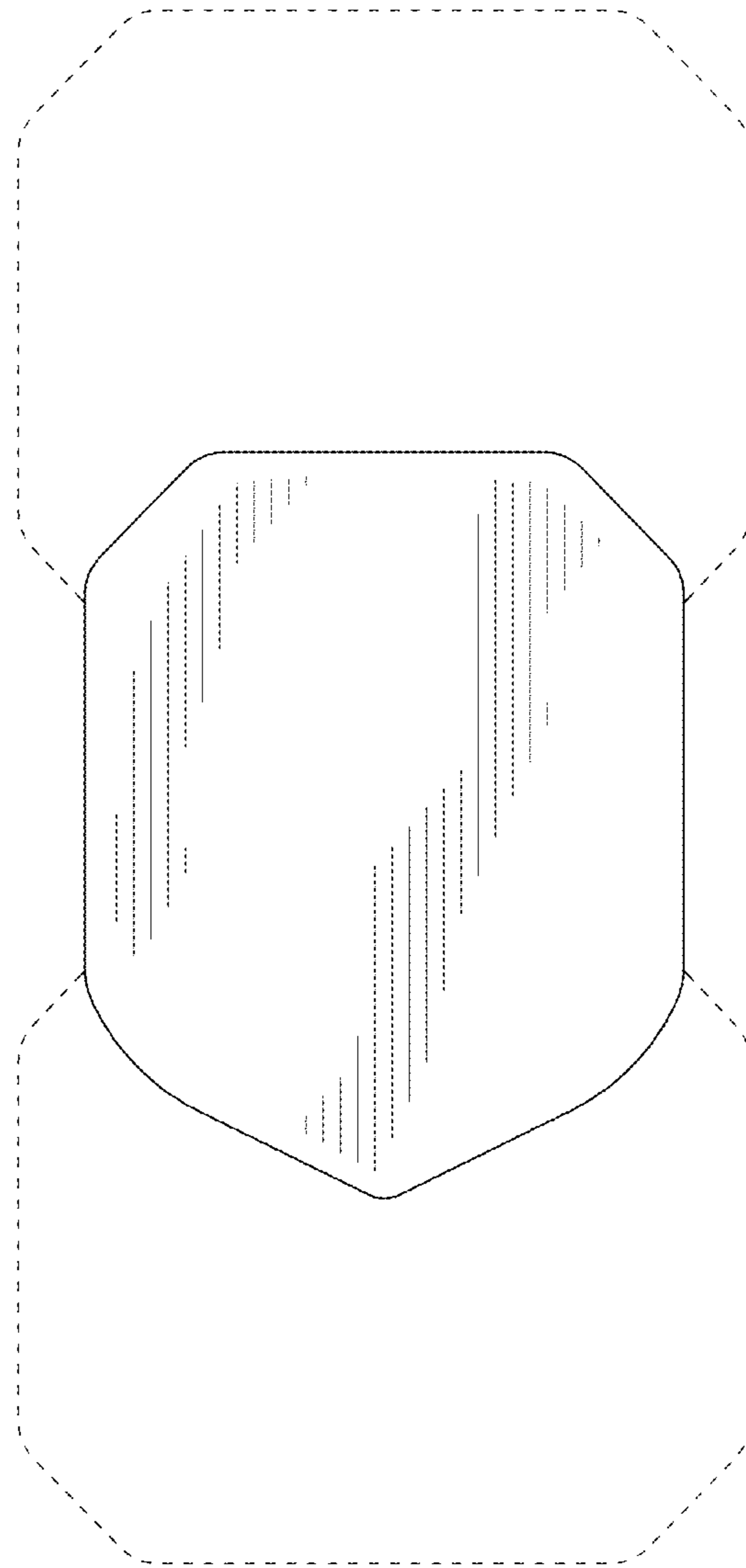


FIG. 2

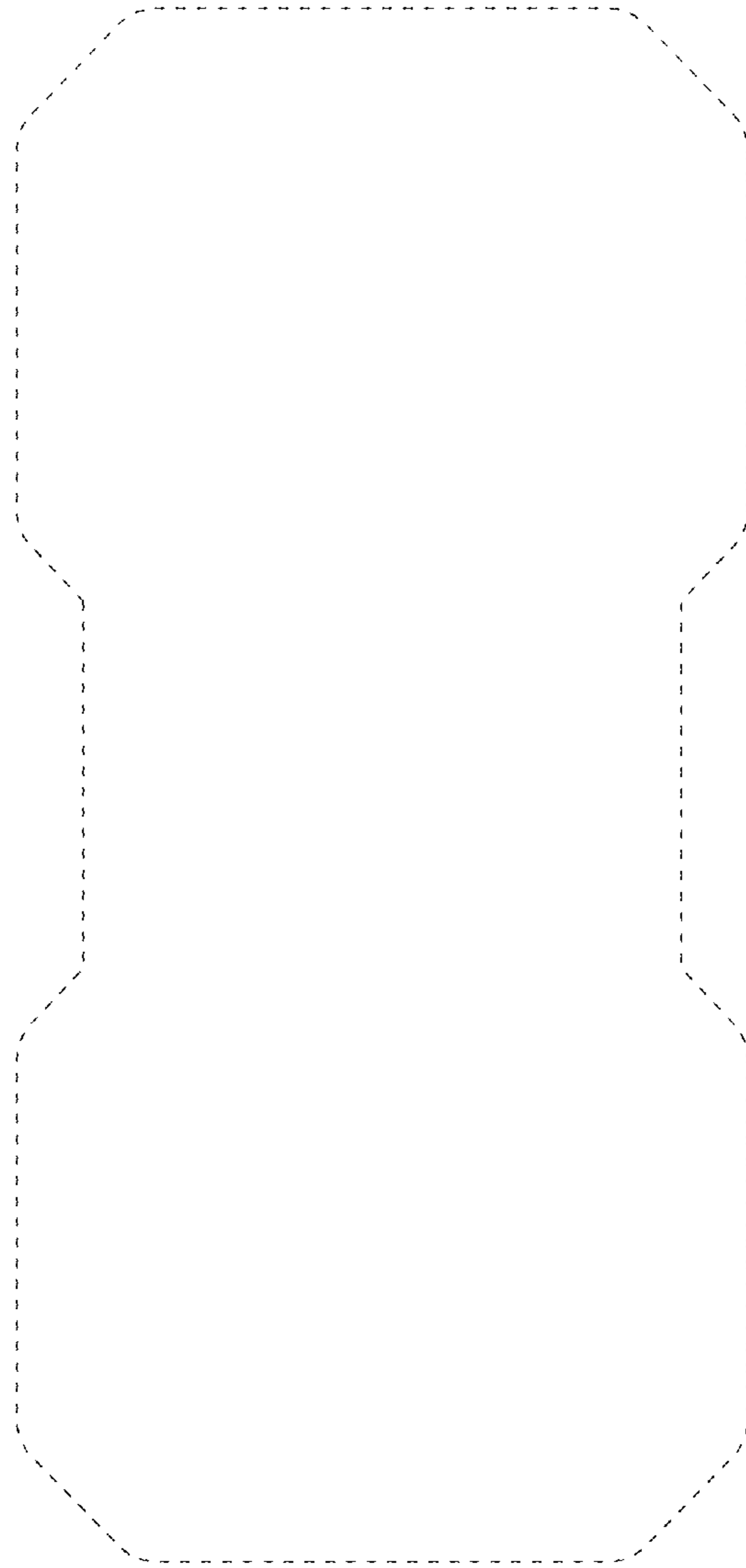


FIG. 3

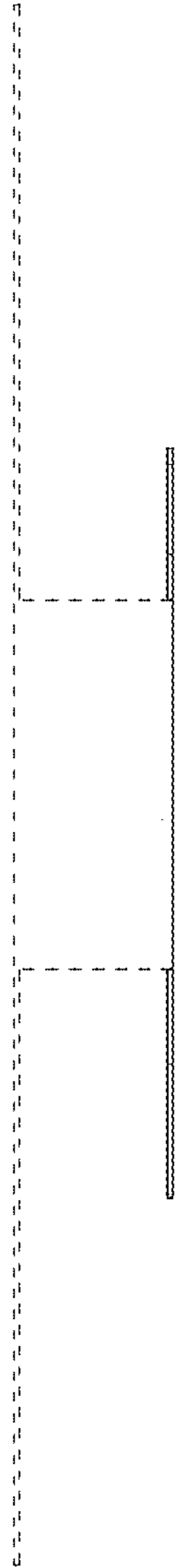


FIG. 4



FIG. 5

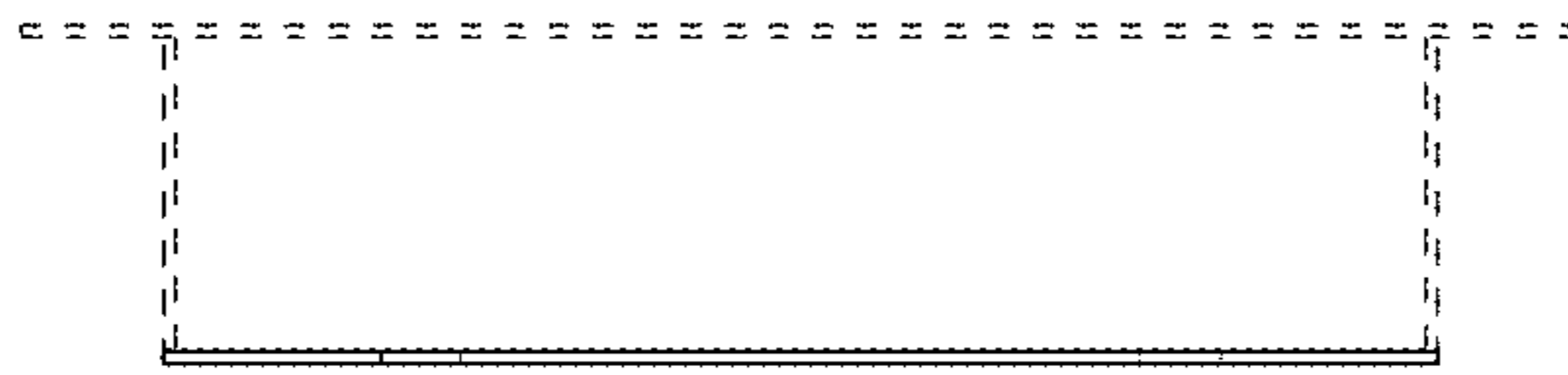


FIG. 6

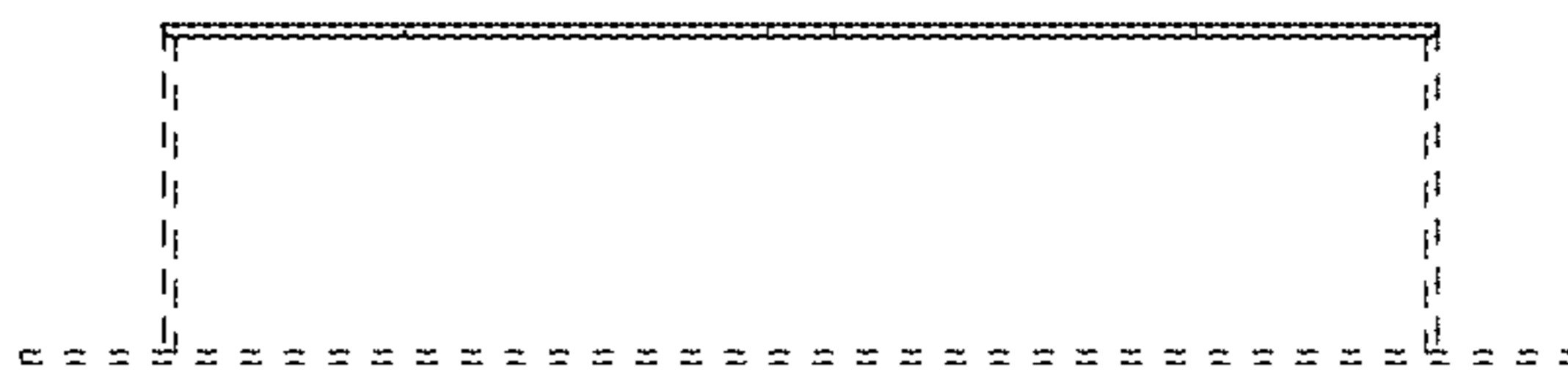


FIG. 7