



US00D812463S

(12) **United States Design Patent** (10) **Patent No.:** **US D812,463 S**
Lee et al. (45) **Date of Patent:** **** Mar. 13, 2018**

(54) **SHIPPING BOX**

(71) Applicant: **United States Postal Service,**
Washington, DC (US)
(72) Inventors: **Jim E. Lee,** Washington, DC (US);
Robert E. Dixon, Jr., Washington, DC
(US); **Jon Goodrich,** Washington, DC
(US)

(73) Assignee: **United States Postal Service,**
Washington, DC (US)

(**) Term: **15 Years**

(21) Appl. No.: **29/589,730**

(22) Filed: **Jan. 4, 2017**

(51) **LOC (11) Cl.** **09-03**

(52) **U.S. Cl.**
USPC **D9/420; D9/423**

(58) **Field of Classification Search**
USPC D9/414-426, 428, 429, 432, 438, 439,
D9/449, 503, 500, 501, 504, 517, 545,
D9/546, 549-552, 564, 571, 574, 575,
D9/696, 901, 902, 904; D32/28-35;
D7/554.4; D30/161; D6/634;
229/117.01, 122.32

CPC B65D 5/00; B65D 5/0015
See application file for complete search history.

(56) **References Cited**

U.S. PATENT DOCUMENTS

1,592,374	A *	7/1926	Lytle	B65D 5/321 229/117.01
D244,833	S *	6/1977	Persson	D9/423
D319,785	S *	9/1991	Kilmartin, III	D9/423
D328,971	S *	9/1992	Fujita	D6/634
D396,004	S *	7/1998	Srinual	D3/294
D415,419	S *	10/1999	Abiteboul	D9/423
D455,957	S *	4/2002	Sisinni	D9/423
D494,862	S *	8/2004	Sisinni	D9/432

D576,788	S *	9/2008	Ludden-Biegel	D3/203.5
D589,798	S *	4/2009	Liipola	D9/456
D606,394	S *	12/2009	Stewart	D9/423
D607,317	S *	1/2010	Collins	D9/423
D669,352	S *	10/2012	Paslawski	D9/423
D690,587	S *	10/2013	DeLisle	D9/423
D711,601	S *	8/2014	Robbins	D30/161
D730,728	S *	6/2015	Fath	D9/432
D737,688	S *	9/2015	Stone	D9/432
D754,408	S *	4/2016	Garrett	D32/35
D763,683	S *	8/2016	O'Neill	D9/432

(Continued)

OTHER PUBLICATIONS

Aliexpress,[online], [site visited Jan. 17, 2018]. Available from Internet, URL: <https://www.aliexpress.com/item/In-Stock-small-21x13x3-5cm-packaging-boxes-aircraft-clothing-cardboard-box-Customized-printing-logo-packaging-box/1835843363.html>.*

(Continued)

Primary Examiner — Barbara Fox
Assistant Examiner — Mehri F Bajoul

(74) *Attorney, Agent, or Firm* — Knobbe Martens Olson & Bear LLP

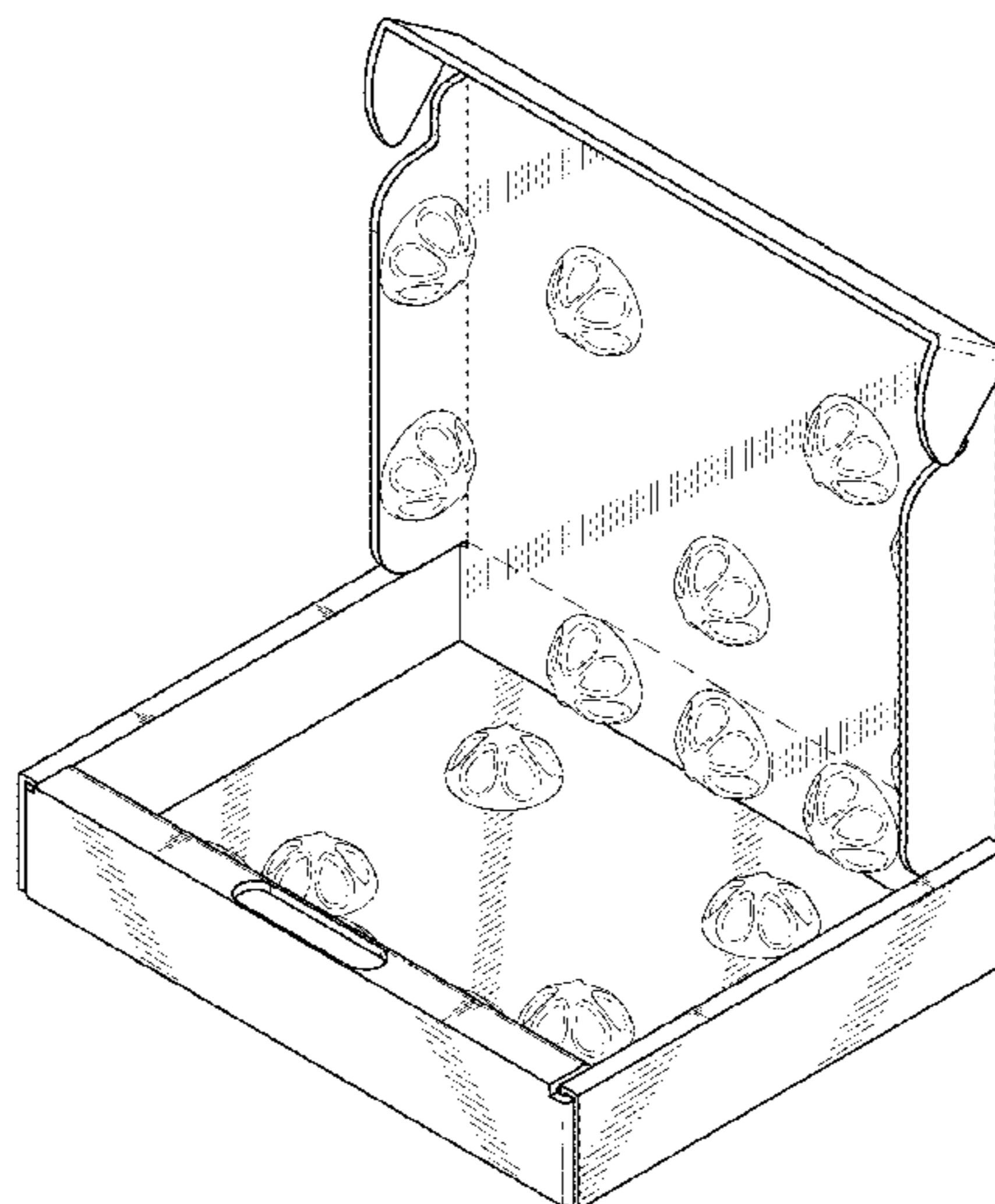
(57) **CLAIM**

The ornamental design for a shipping box, as shown and described.

DESCRIPTION

FIG. 1 is a top perspective view of a shipping box in accordance with the present invention.
FIG. 2 is a front view of the shipping box of FIG. 1.
FIG. 3 is a rear view of the shipping box of FIG. 1.
FIG. 4 is a left side view of the shipping box of FIG. 1.
FIG. 5 is a right side view of the shipping box of FIG. 1.
FIG. 6 is a top view of the shipping box of FIG. 1; and,
FIG. 7 is a bottom view of the shipping box of FIG. 1.
The broken line in FIGS. 1 and 7 depict portions of the shipping box and forms no part of the claimed design.

1 Claim, 4 Drawing Sheets



(56)

References Cited

U.S. PATENT DOCUMENTS

D764,282 S * 8/2016 Stepanov D9/432
D767,989 S * 10/2016 Nietert D9/423
2005/0274635 A1* 12/2005 Hopper A45C 11/24
206/308.1

OTHER PUBLICATIONS

Tineye, announced Feb. 21, 2013, [online], [site visited Jan. 17, 2018]. Available from Internet, URL: <https://tineye.com/search/cfcd0cb40be47076e216a97d7e12f18e9e15079a/>

?extension_ver=chrome-1.2.0.*

U-Haul, EPE Dot Laptop Shipper, <https://www.uhaul.com/MovingSupplies/Shipping-Boxes-Supplies/Shipping-Boxes/EPE-Dot-Laptop-Shipper?id=17196>, Apr. 10, 2016.

* cited by examiner

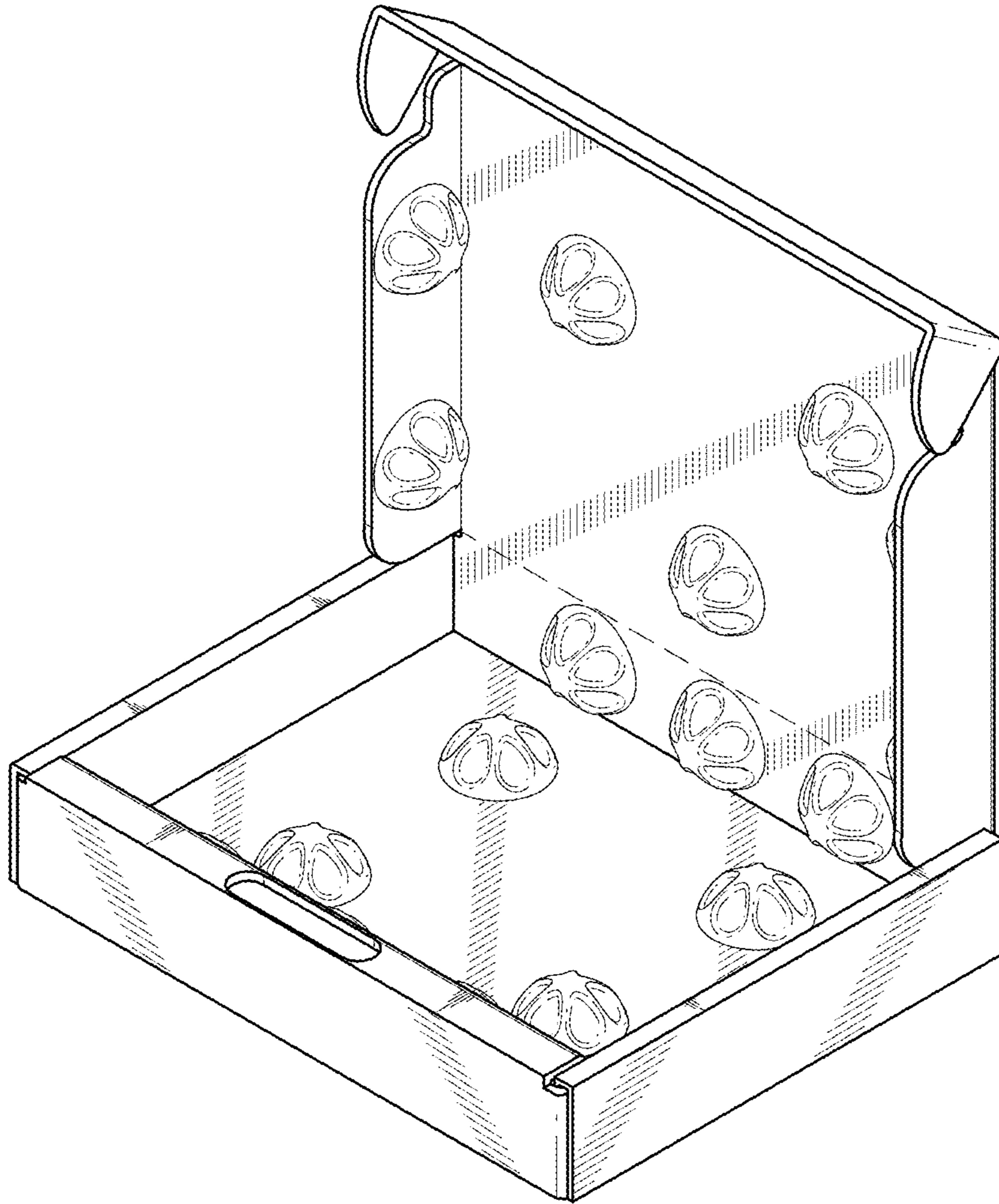


FIG. 1

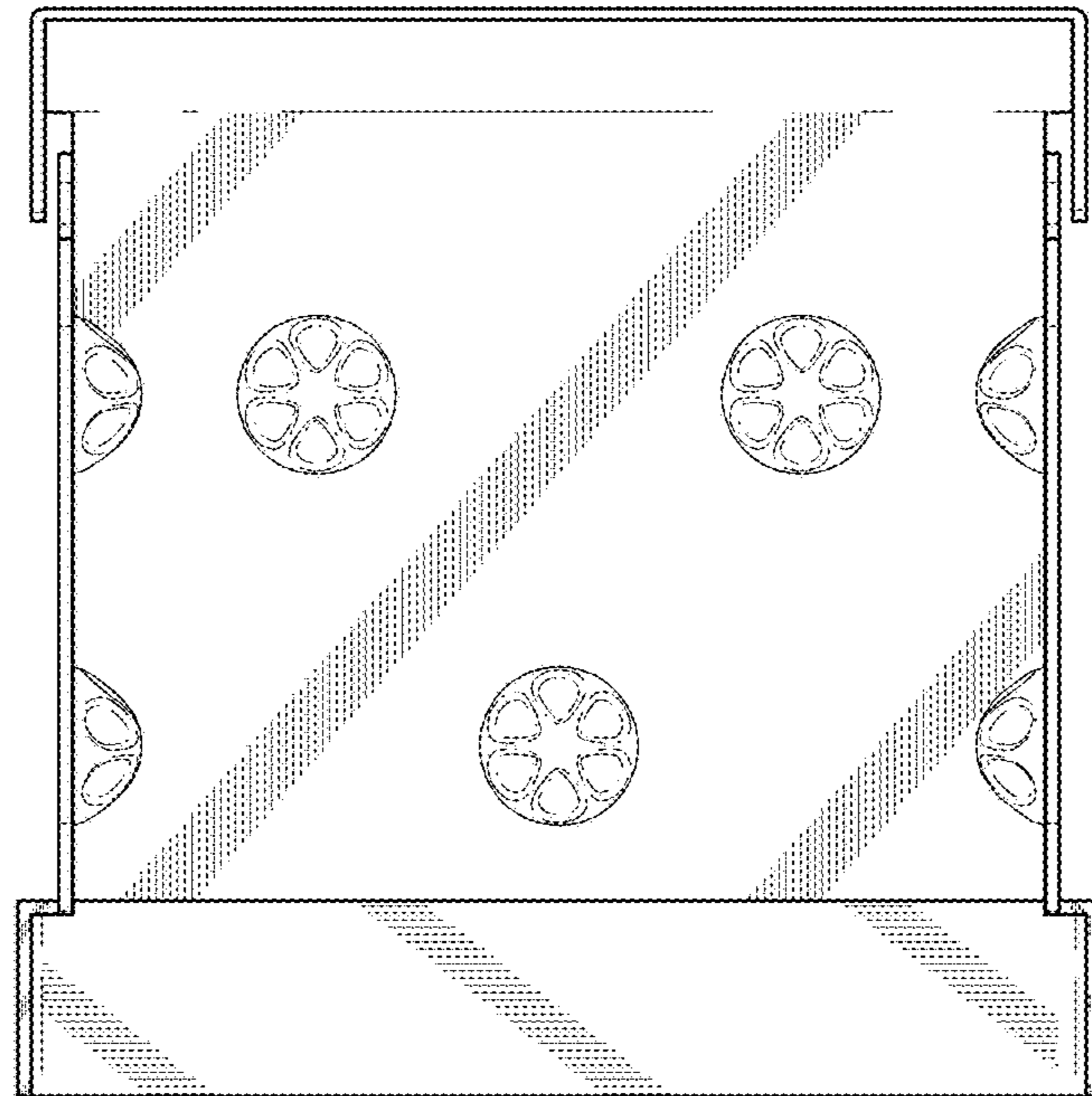


FIG. 2

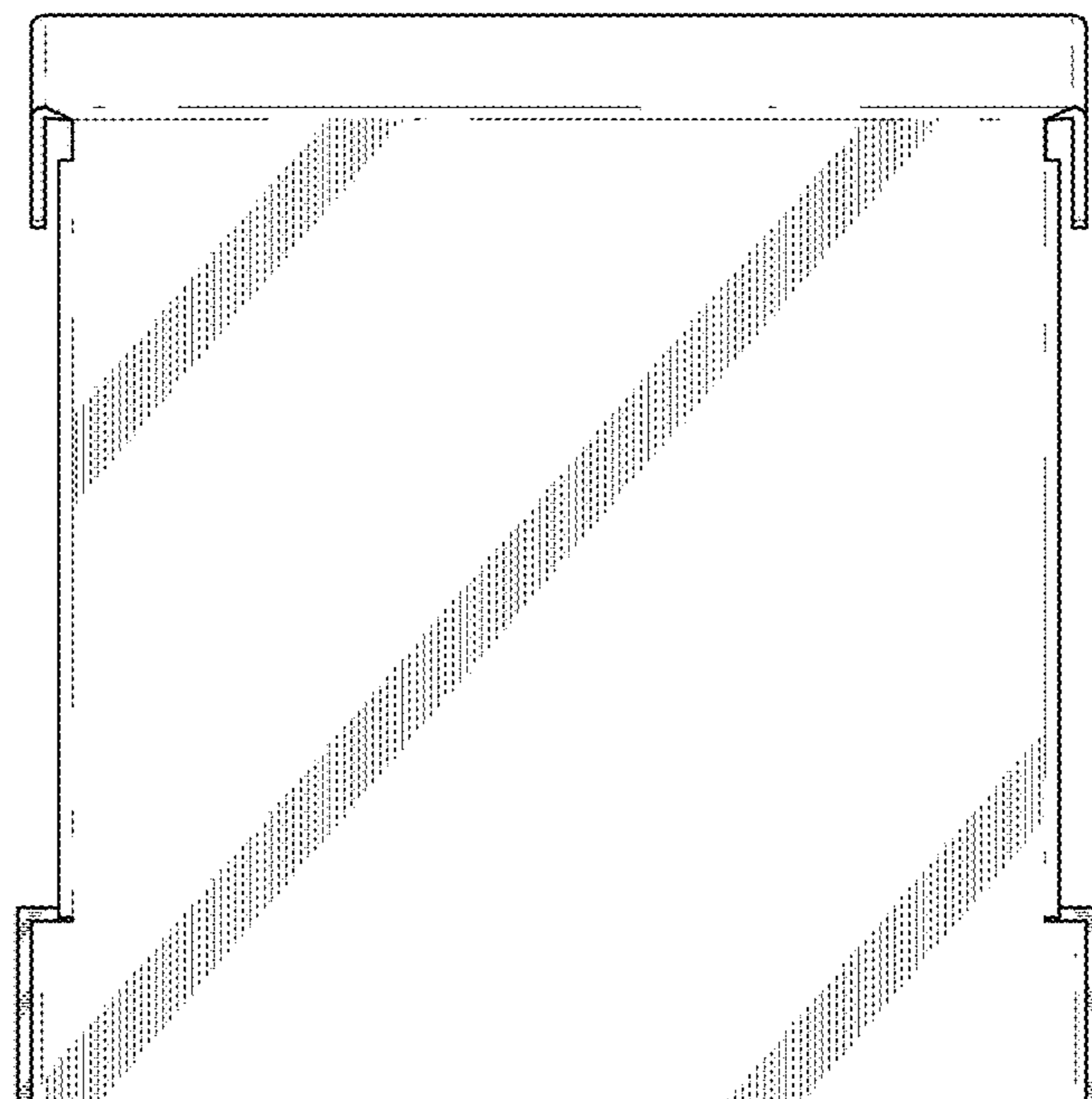


FIG. 3

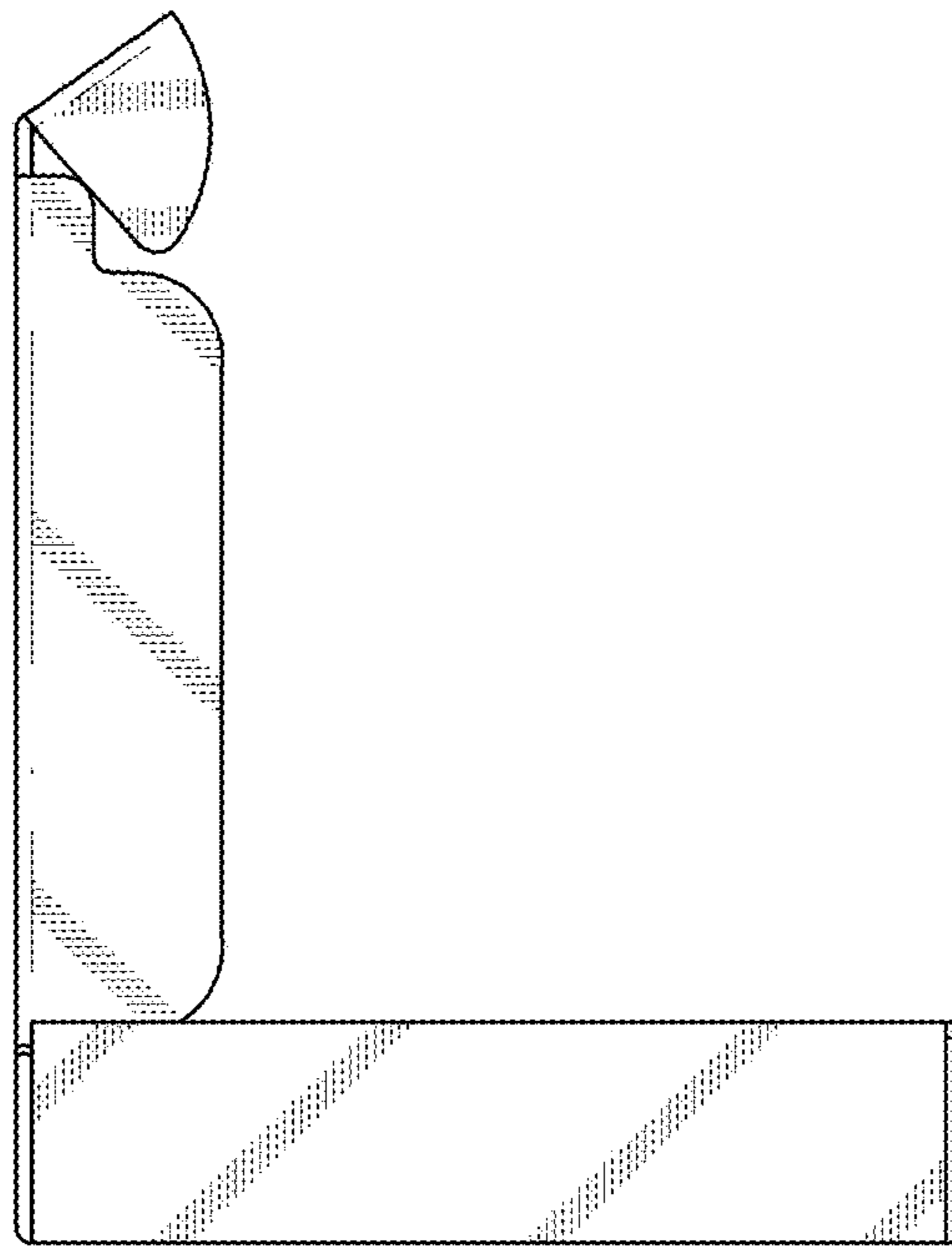


FIG. 4

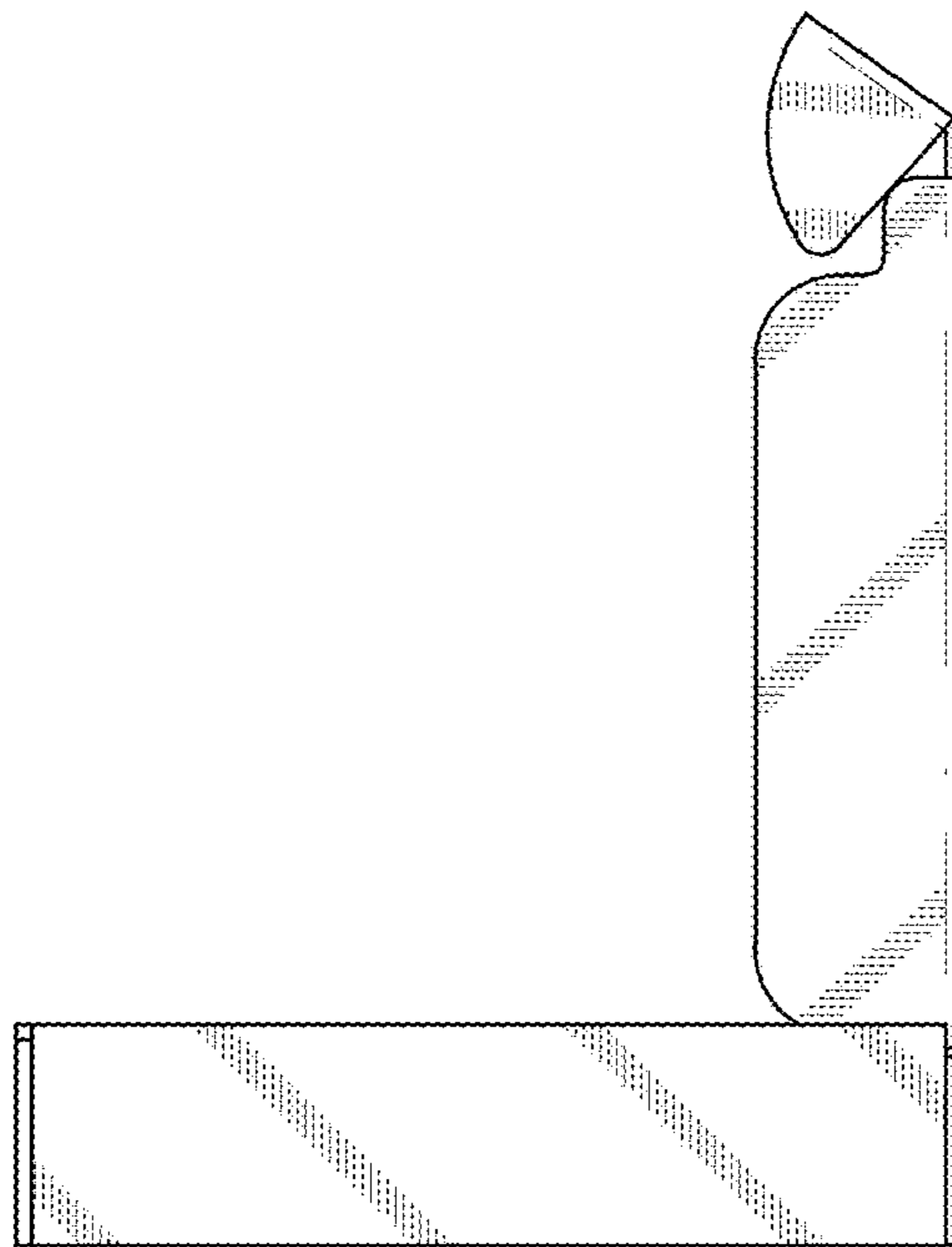


FIG. 5

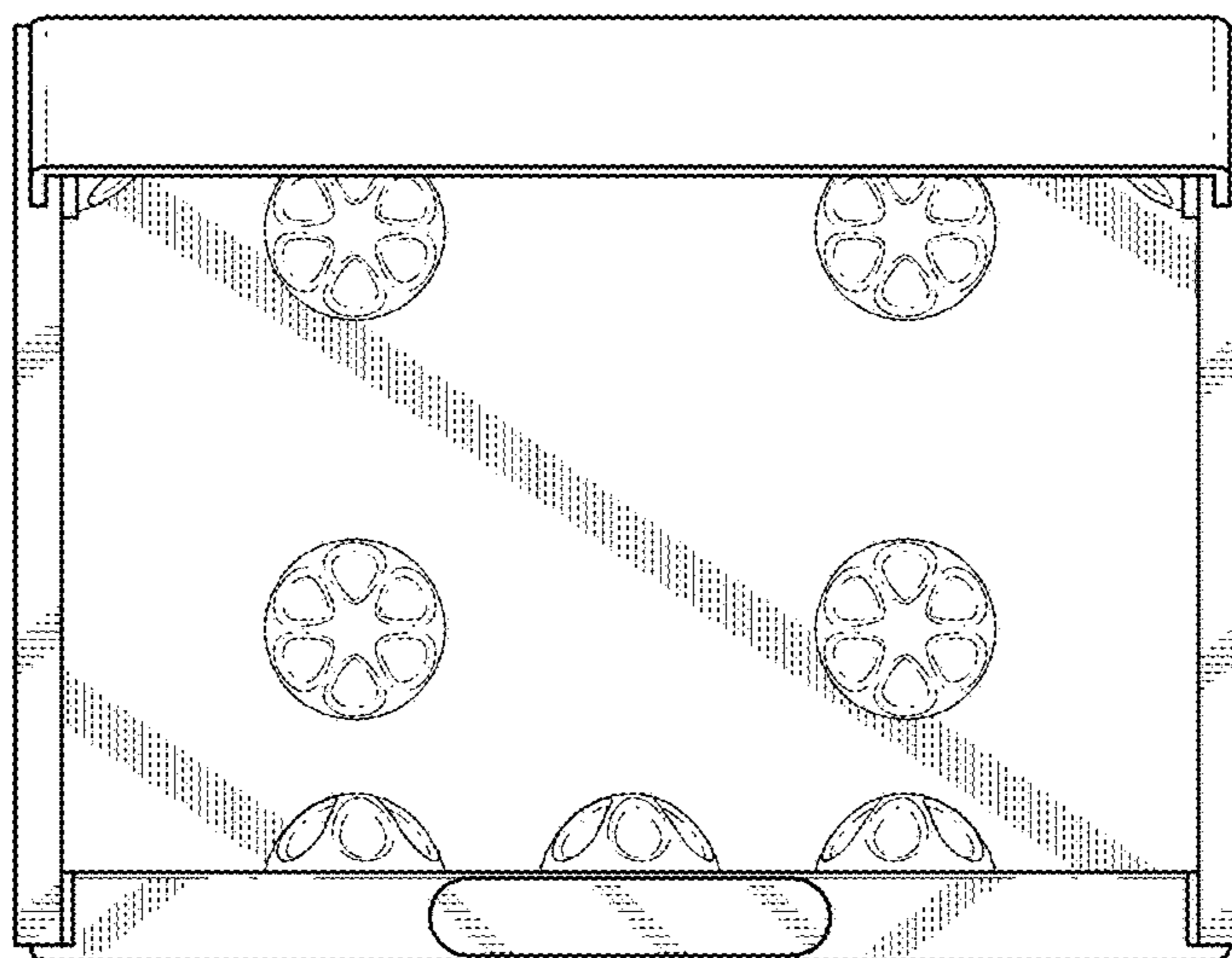


FIG. 6

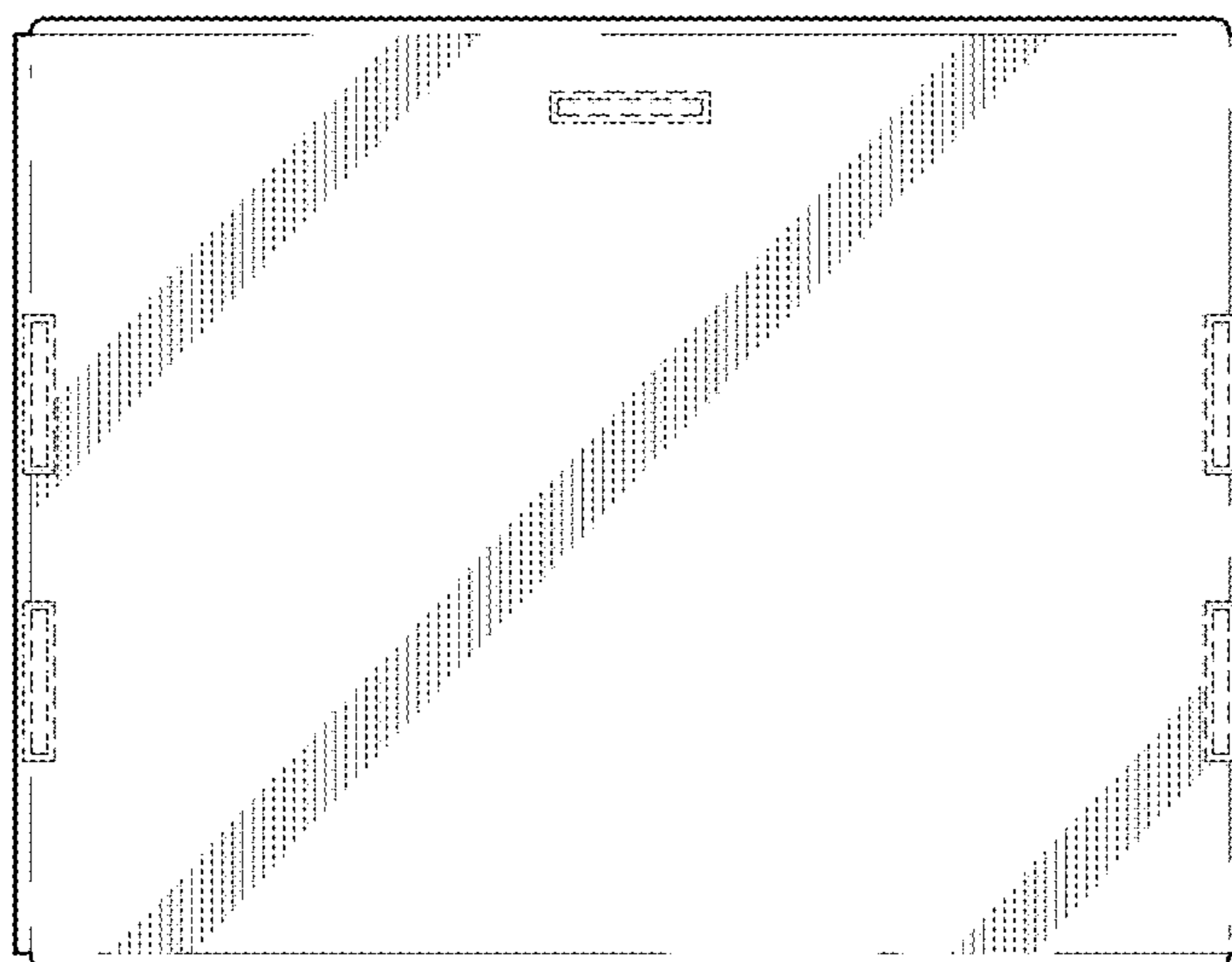


FIG. 7