



US00D812462S

(12) **United States Design Patent**
Xu et al.

(10) **Patent No.:** **US D812,462 S**
(45) **Date of Patent:** **** Mar. 13, 2018**

(54) **MEDICINE DISPENSER**

(71) Applicants: **Shuai Xu**, Chicago, IL (US); **Jessica Ruth Walter**, Chicago, IL (US); **Edward Chenyee Tung**, Los Angeles, CA (US); **Nathaniel Zimmerman Sharpe**, Cambridge, MA (US)

(72) Inventors: **Shuai Xu**, Chicago, IL (US); **Jessica Ruth Walter**, Chicago, IL (US); **Edward Chenyee Tung**, Los Angeles, CA (US); **Nathaniel Zimmerman Sharpe**, Cambridge, MA (US)

(**) Term: **15 Years**

(21) Appl. No.: **29/531,085**

(22) Filed: **Jun. 23, 2015**

(51) **LOC (11) Cl.** **09-09**

(52) **U.S. Cl.**
USPC **D9/420; D3/203.1**

(58) **Field of Classification Search**
USPC D21/447; D3/203.1–203.3
CPC A61J 2200/30; A61J 7/0084; A61J 7/0418;
A61J 7/0481; A61J 1/03; A61J 2205/70;
A61J 7/0076; A61J 1/00; A61J 2205/50
See application file for complete search history.

(56) **References Cited**

U.S. PATENT DOCUMENTS

4,209,100	A *	6/1980	Uhlig	B65D 47/0838	215/216
D278,513	S *	4/1985	Ebeling	D3/203.3	
D426,772	S *	6/2000	Kahl	D9/449	
D463,102	S *	9/2002	Rosado	D3/203.3	
D488,618	S *	4/2004	Wekstein	D3/203.3	
7,044,302	B2 *	5/2006	Conley	A61J 7/0472	206/538
7,128,213	B2 *	10/2006	Tung	A61J 7/04	206/538

D563,095	S *	3/2008	Sabbag	D3/203.3	
D570,595	S *	6/2008	Chue	D3/203.3	
D610,347	S *	2/2010	Gilbert	D3/269	
D663,113	S *	7/2012	Simms	D3/203.3	
D663,202	S *	7/2012	Biesecker	D9/449	
8,600,549	B2 *	12/2013	Park	A61J 7/0409	221/122
D711,250	S *	8/2014	Henriksson	D9/504	
D717,038	S *	11/2014	Lee	D3/203.3	
9,072,654	B2 *	7/2015	Pentz	A61J 7/0481	
D746,046	S *	12/2015	Lee	D3/203.3	
D746,058	S *	12/2015	Serell	D3/203.1	
D746,514	S *	12/2015	Lambridis	A45D 33/003	D28/4
9,317,663	B2 *	4/2016	Dickie	G06F 19/3462	

(Continued)

Primary Examiner — Michael A. Pratt

(74) *Attorney, Agent, or Firm* — Danielson Legal LLC

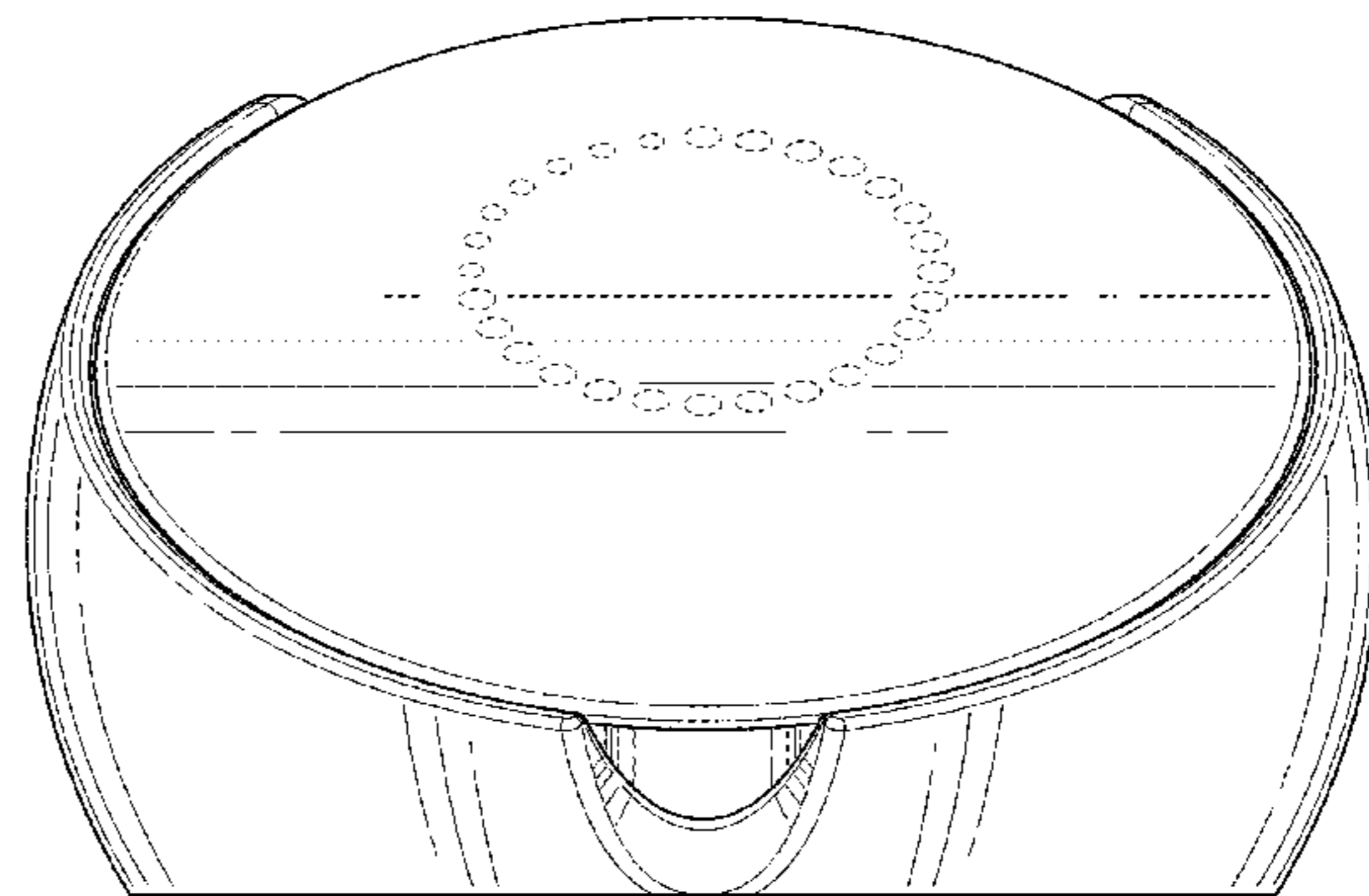
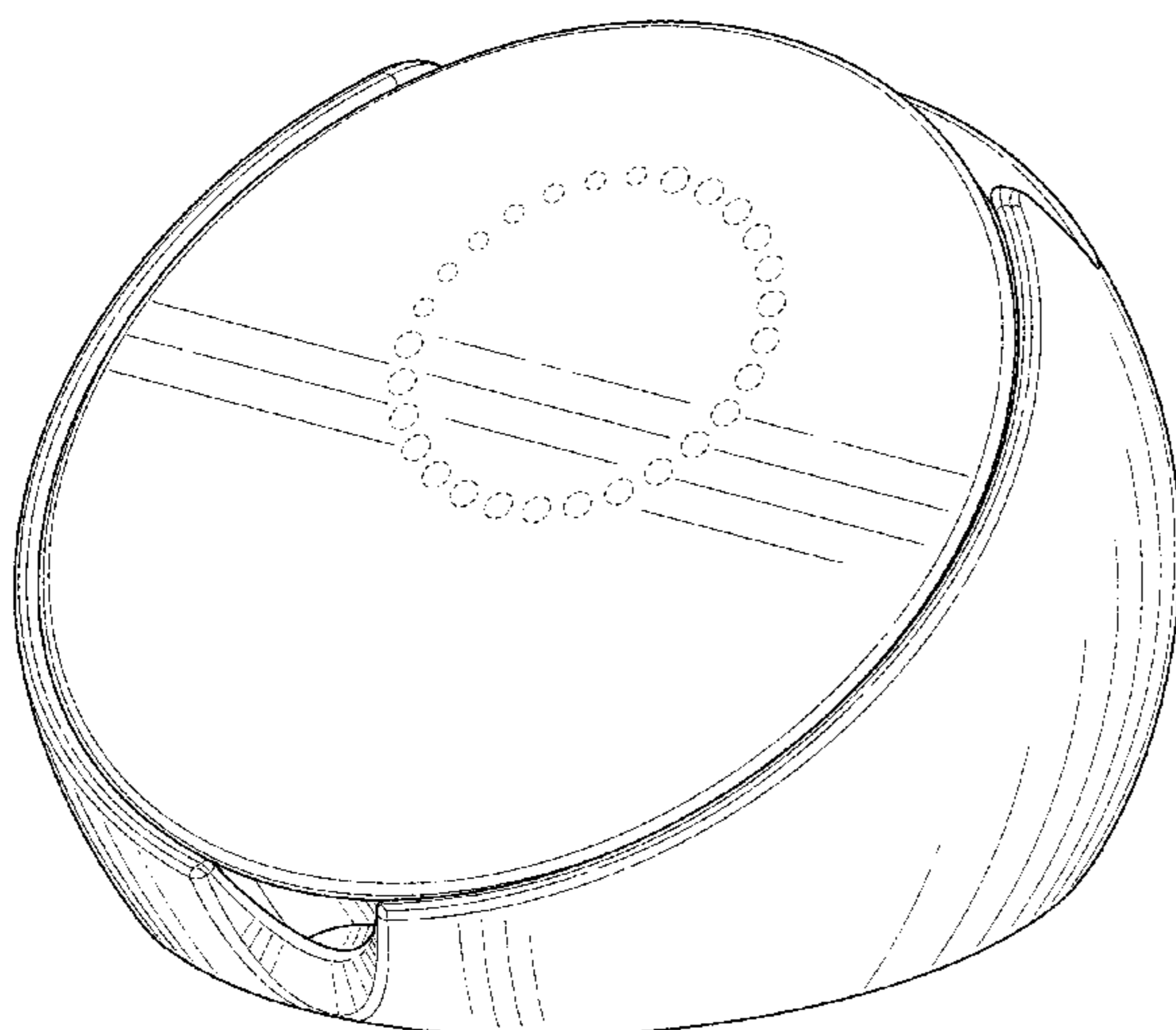
(57) **CLAIM**

The ornamental design for a medicine dispenser, as shown and described.

DESCRIPTION

FIG. 1 is a front perspective view of a medicine dispenser showing our new design;
 FIG. 2 is a front view thereof;
 FIG. 3 is a back view thereof;
 FIG. 4 is a right view thereof, the left side being a mirror image;
 FIG. 5 is a top view thereof;
 FIG. 6 is an alternative front perspective view thereof with the lid open; and,
 FIG. 7 is a front perspective, exploded view thereof.
 The broken lines illustrate environmental structure and form no part of the claimed design.
 The medicine dispenser can be used to store individual pills, a collection of individual pills or a blister pack of pills.

1 Claim, 7 Drawing Sheets



(56)

References Cited

U.S. PATENT DOCUMENTS

D767,986 S * 10/2016 Epstein D3/289
D790,334 S * 6/2017 Pan D9/423

* cited by examiner

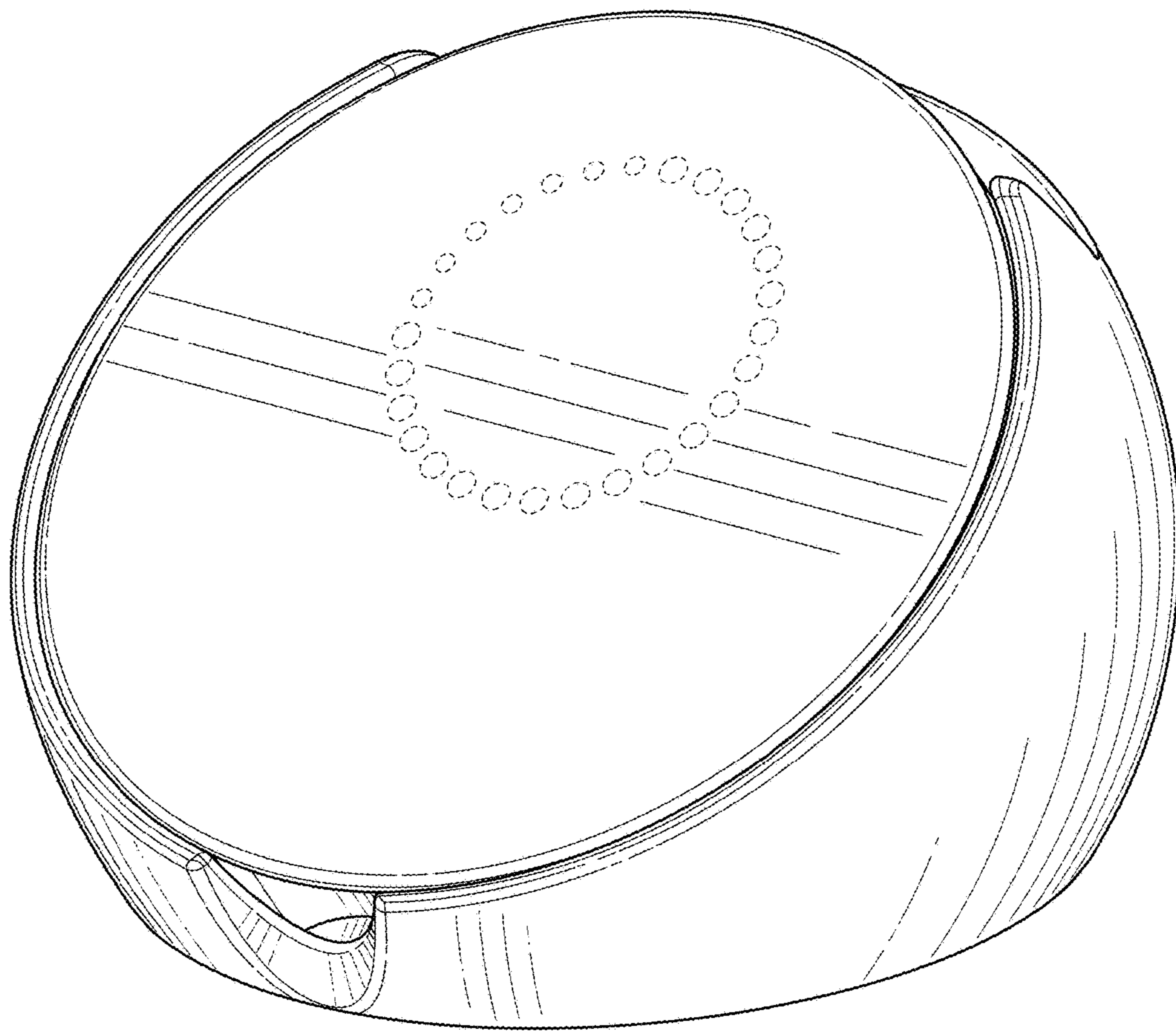


FIG. 1

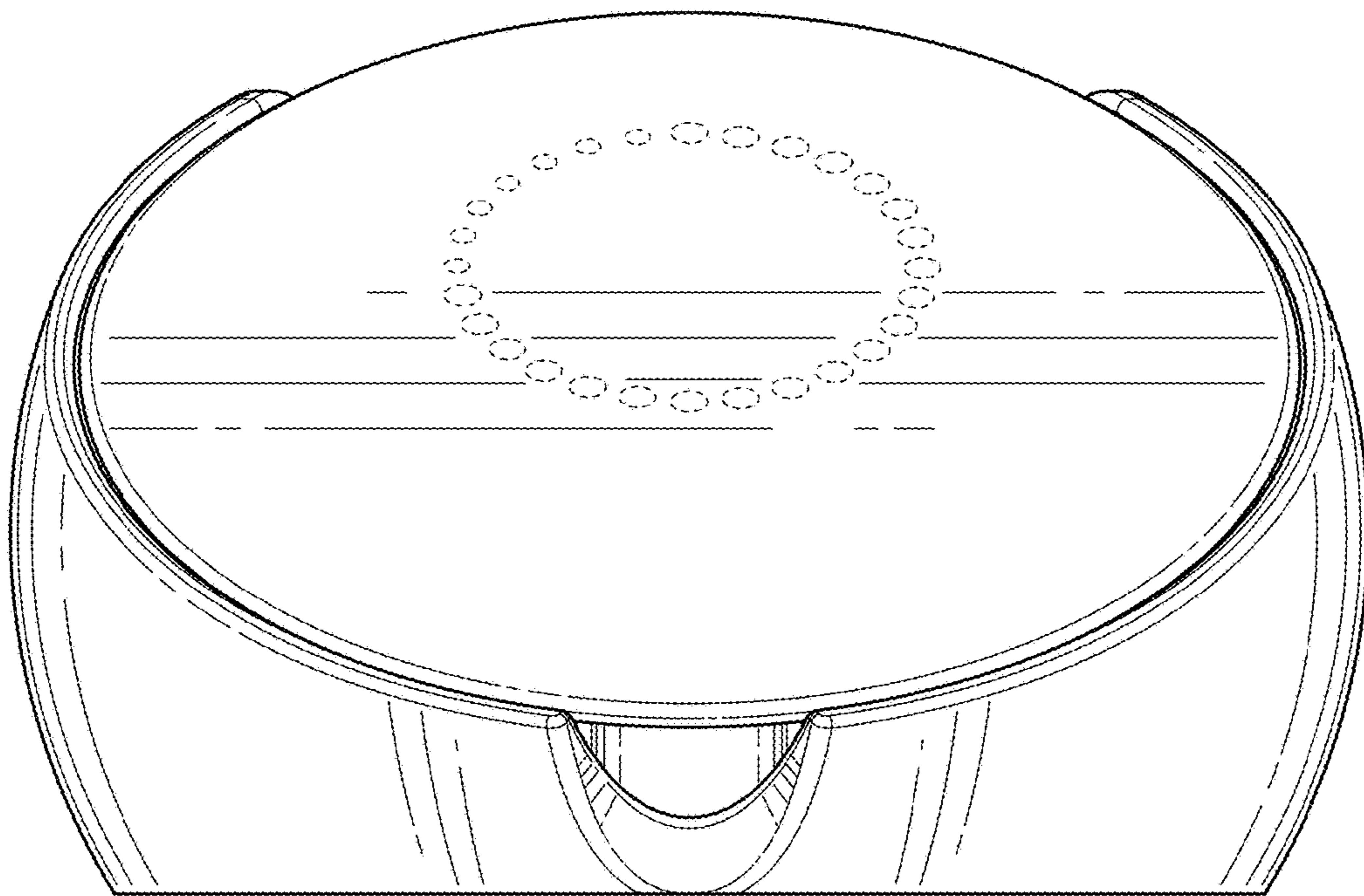


FIG. 2

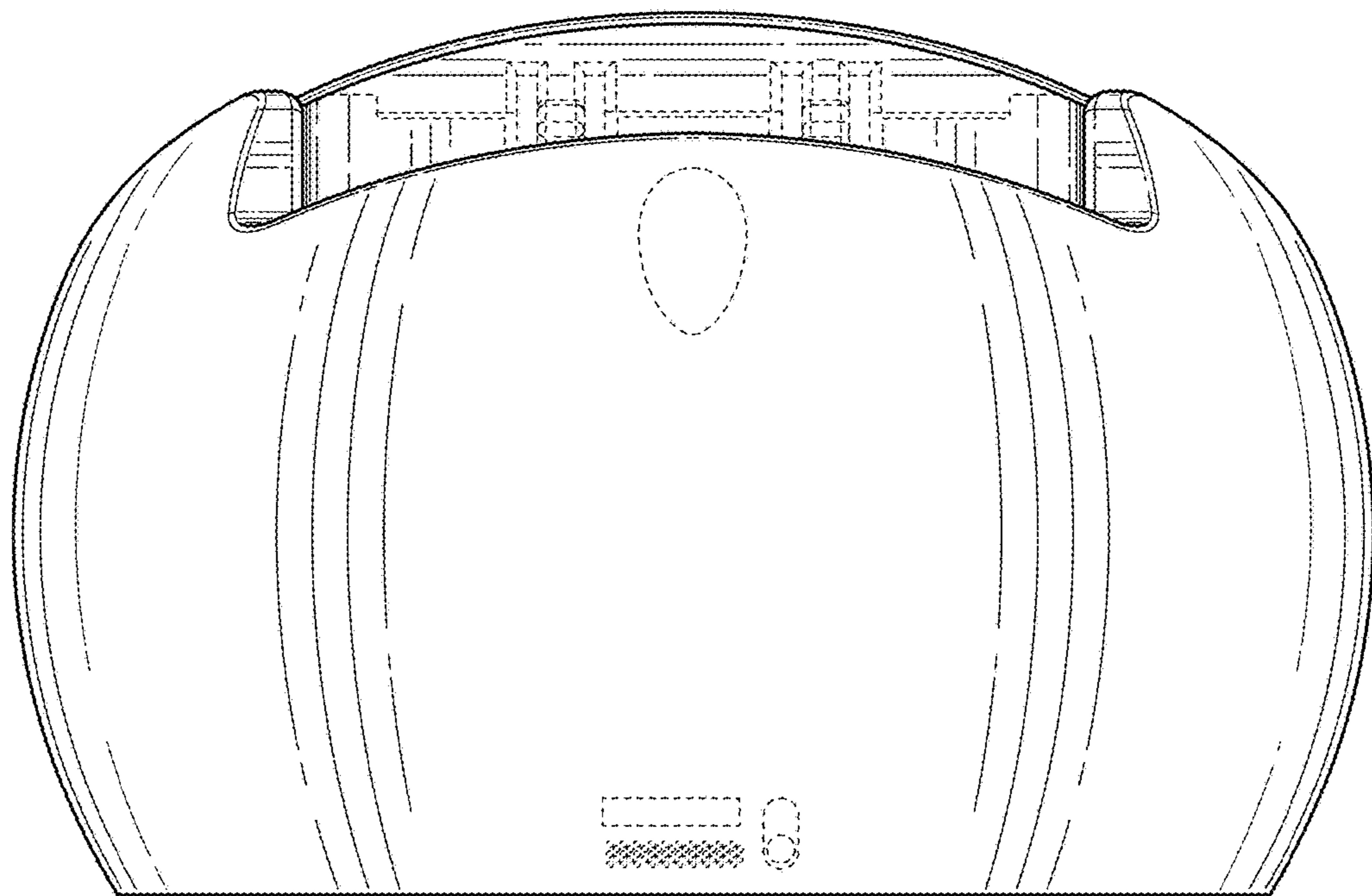


FIG. 3

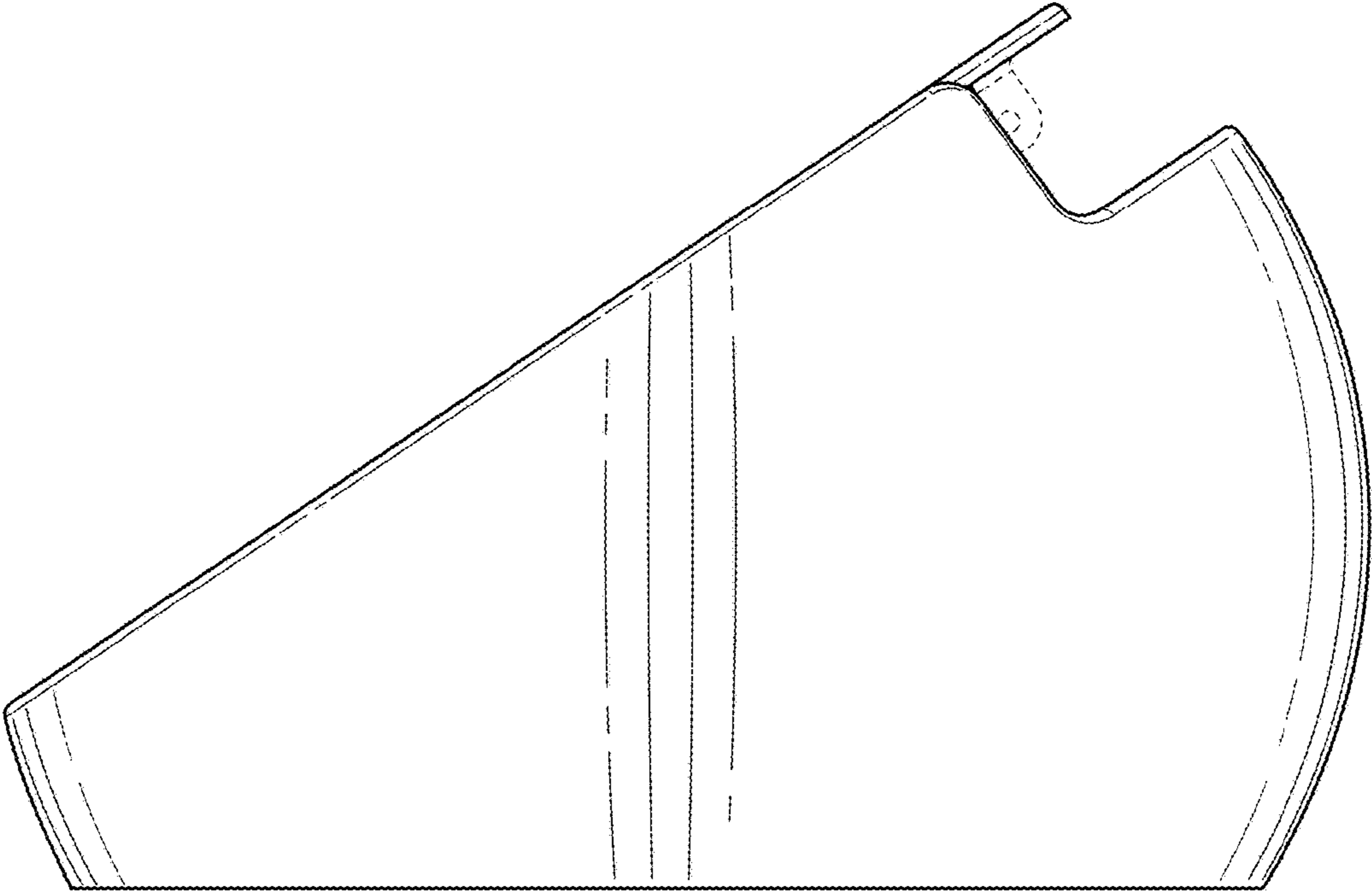


FIG. 4

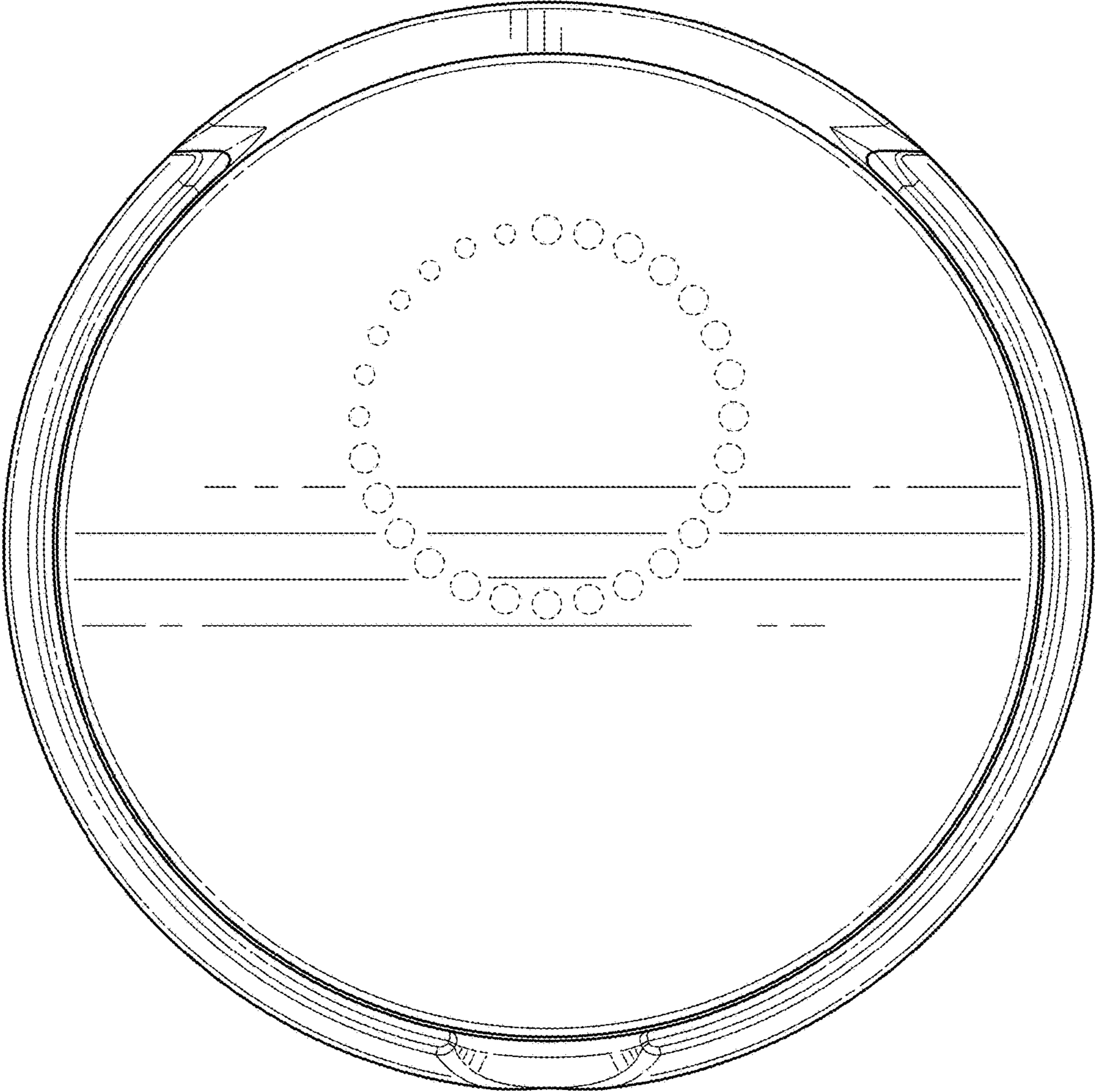


FIG. 5

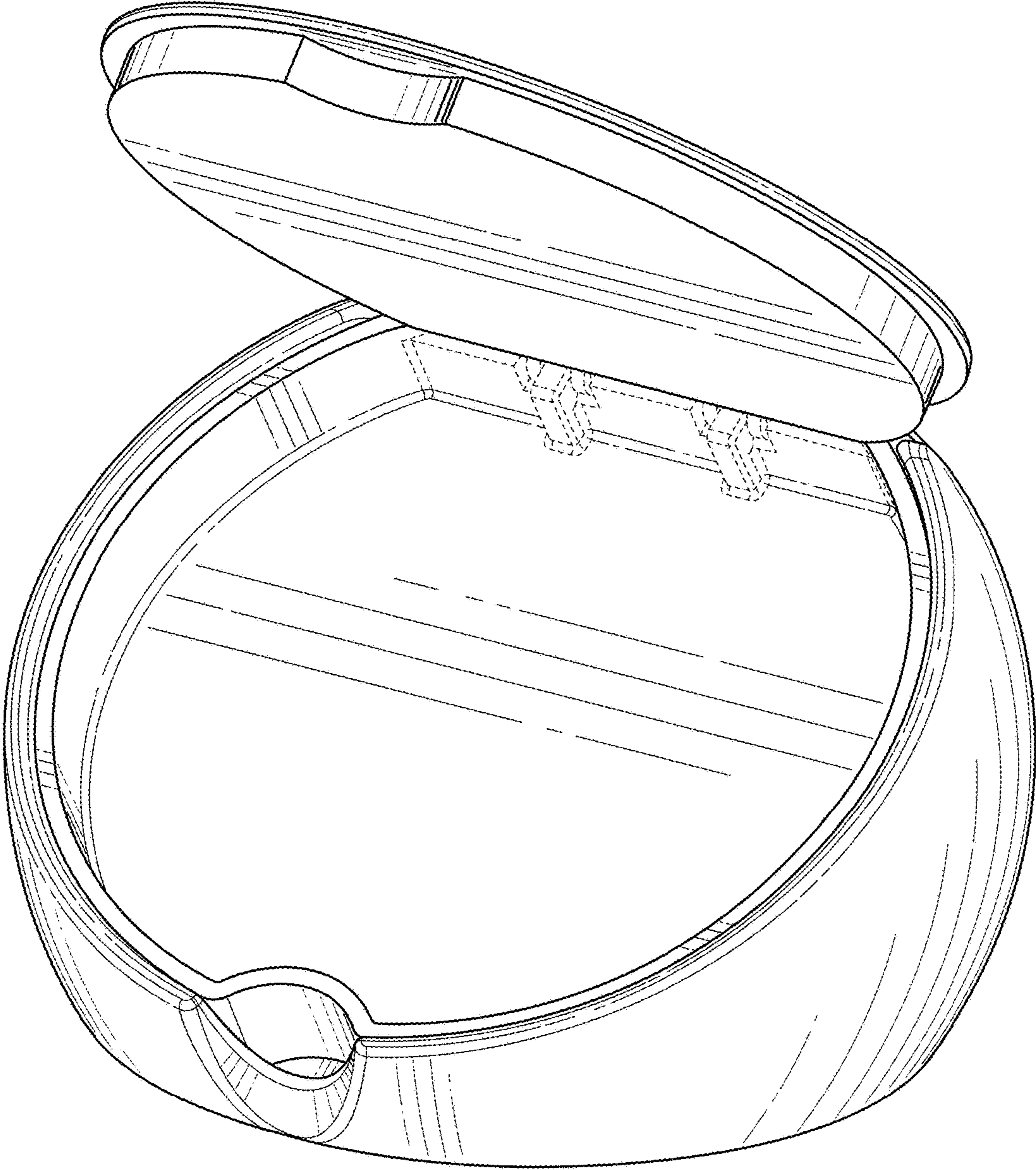


FIG. 6

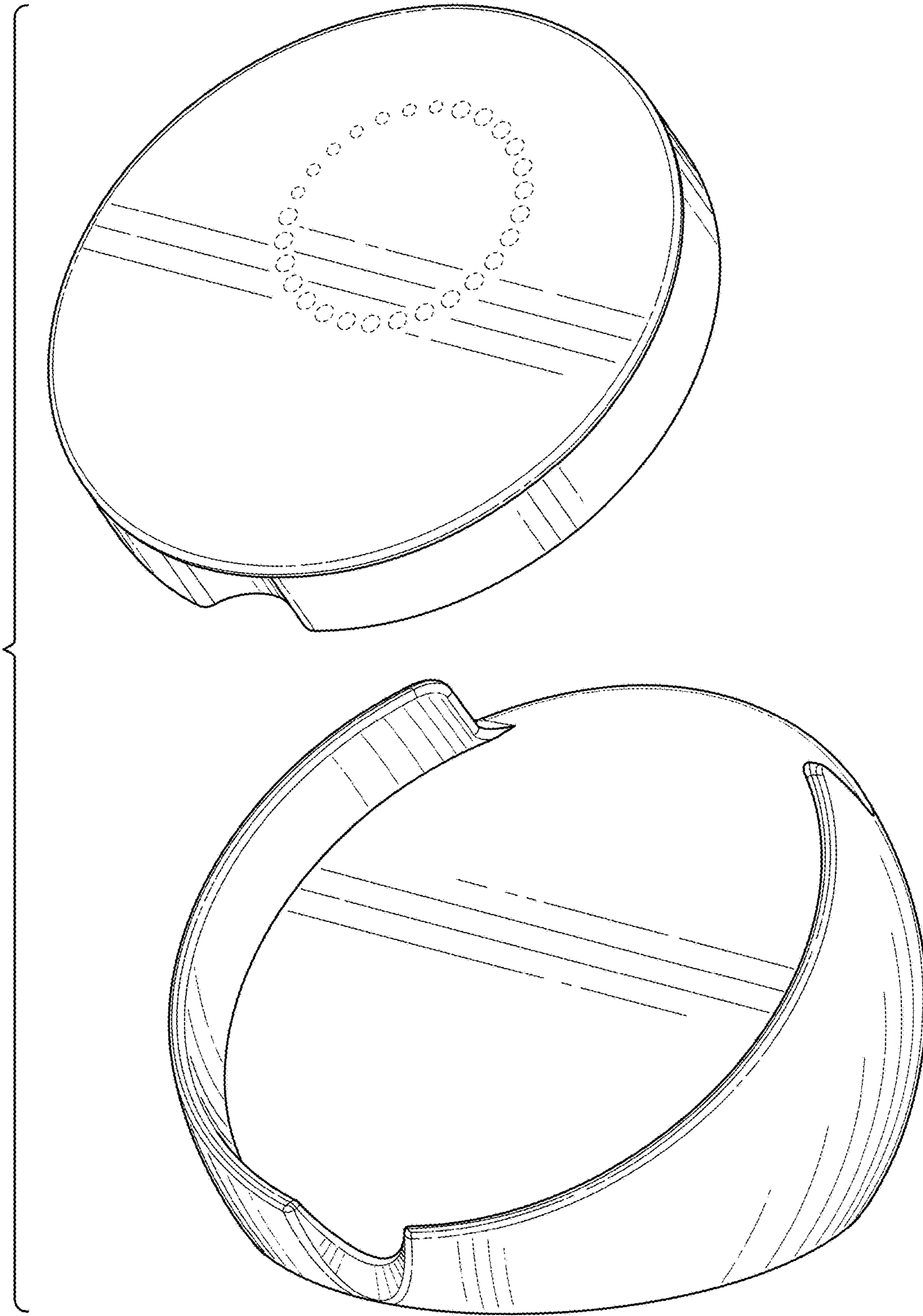


FIG. 7