



US00D812459S

(12) **United States Design Patent**
Miller

(10) **Patent No.:** **US D812,459 S**
(45) **Date of Patent:** **** Mar. 13, 2018**

(54) **LOCK FOR RATCHETING TIE SYSTEM**

(71) Applicant: **Joseph Gerald Miller**, Rockport, TX
(US)

(72) Inventor: **Joseph Gerald Miller**, Rockport, TX
(US)

(**) Term: **15 Years**

(21) Appl. No.: **29/599,736**

(22) Filed: **Apr. 6, 2017**

(51) **LOC (11) Cl.** **08-08**

(52) **U.S. Cl.**
USPC **D8/383**

(58) **Field of Classification Search**
USPC D8/383, 356, 382, 394, 396, 499
CPC B65D 63/00; B65D 63/1072; B65D
63/1063; B65D 63/1081; B65D 63/1045;
B65D 2563/103; F16B 2/26; F16L
3/2332; F16L 3/2334; F16L 3/2338;
Y10T 24/1498; Y10T 24/14; Y10T
24/141; Y10T 24/15; Y10T 24/153

See application file for complete search history.

(56) **References Cited**

U.S. PATENT DOCUMENTS

- 3,590,442 A * 7/1971 Geisinger B65D 63/1018
24/16 PB
- 3,717,906 A * 2/1973 Wells B65D 63/1081
24/16 PB
- 4,135,749 A * 1/1979 Caveney B65D 63/1063
24/16 PB
- D256,438 S * 8/1980 Woods D8/394
- 4,776,067 A * 10/1988 Sorensen B65D 63/1072
24/16 PB
- D323,102 S * 1/1992 Kipling D8/331
- 5,651,376 A * 7/1997 Thompson A61F 5/3723
128/878
- 5,781,975 A * 7/1998 Wells, Jr. B65D 63/1036
24/16 PB

- D695,601 S * 12/2013 Cabrele D8/396
- D769,704 S * 10/2016 Nitta D8/387
- D781,692 S * 3/2017 Lomax D8/394
- D792,196 S * 7/2017 Nitta D8/356
- 2005/0116124 A1* 6/2005 Mielke F16L 3/137
248/74.3
- 2008/0196215 A1* 8/2008 Canady B65D 63/1054
24/16 PB
- 2010/0146742 A1* 6/2010 Every B65D 63/1063
24/16 PB
- 2012/0311823 A1* 12/2012 Lee H02G 3/26
24/16 R
- 2013/0031751 A1* 2/2013 Bartholomew B65D 63/1045
24/16 PB

(Continued)

Primary Examiner — Sandra S Snapp

Assistant Examiner — Ieisha N Price

(74) *Attorney, Agent, or Firm* — Dunlap Bennett &
Ludwig PLLC

(57) **CLAIM**

The ornamental design for a lock for ratcheting tie system,
as shown and described.

DESCRIPTION

FIG. 1 is a perspective view of a lock for ratcheting tie system;

FIG. 2 is a top plan view thereof;

FIG. 3 is a right side elevation view thereof, the left side
elevation view being a mirror image thereof;

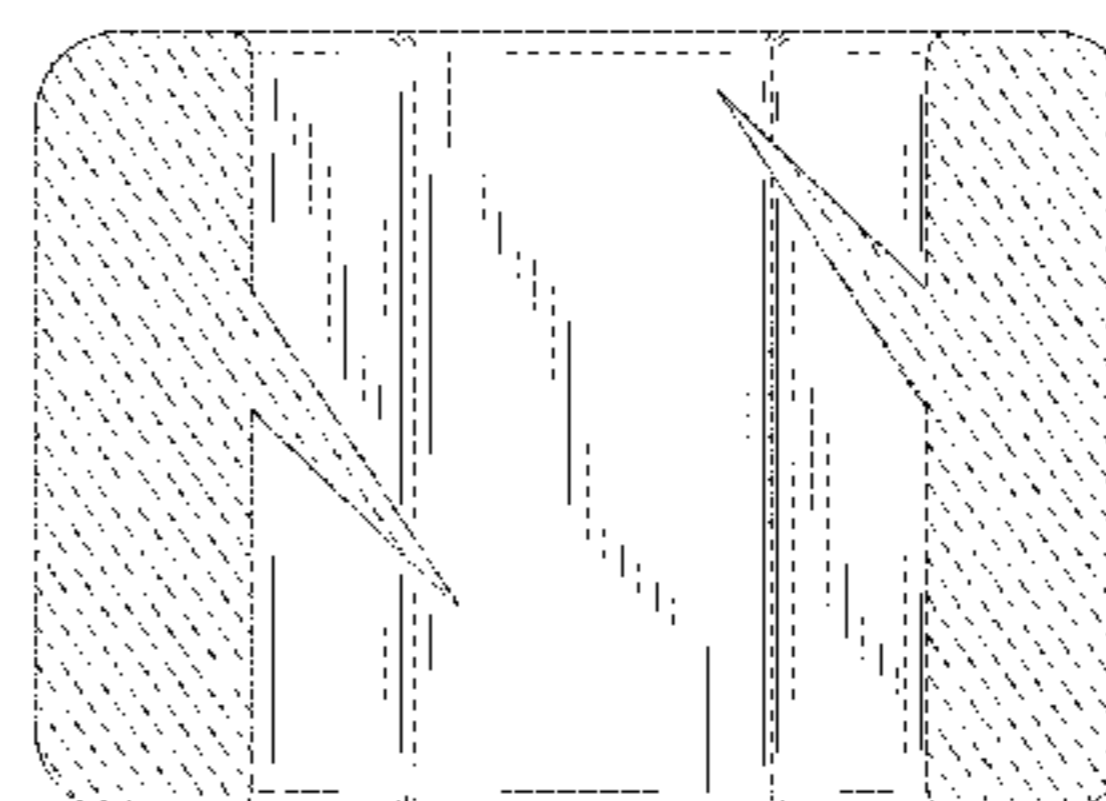
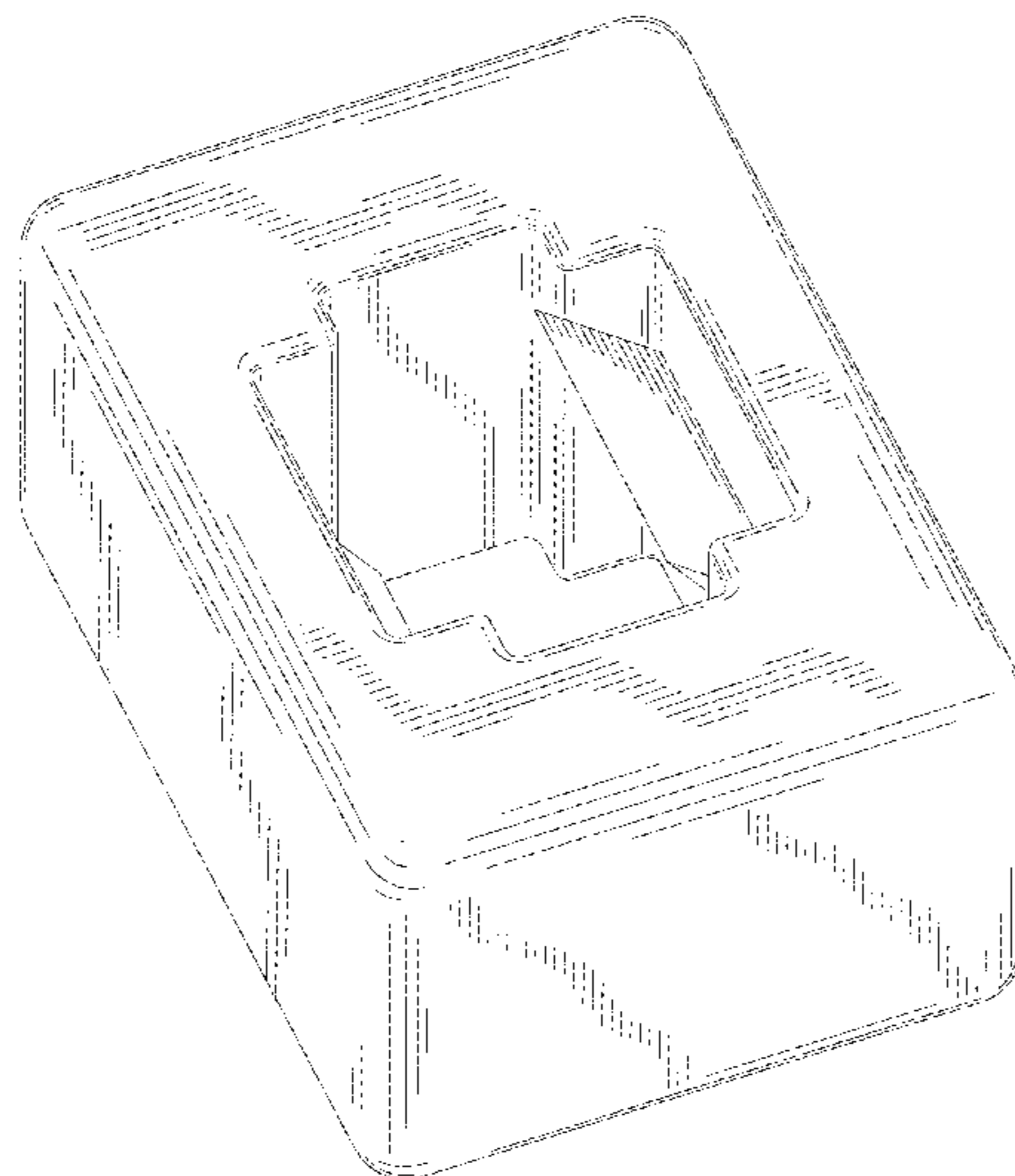
FIG. 4 is a bottom plan view thereof;

FIG. 5 is a front elevation view thereof, the rear elevation
view being a mirror image thereof; and,

FIG. 6 is section view thereof, taken along line 6-6 in FIG.
4.

The broken lines shown in the drawings depict portions of
the lock for ratcheting tie system that form no part of the
claimed design.

1 Claim, 4 Drawing Sheets



(56)

References Cited

U.S. PATENT DOCUMENTS

2014/0259543 A1* 9/2014 Scott B65D 63/1027
24/16 PB
2017/0050787 A1* 2/2017 Bart B65D 63/1063

* cited by examiner

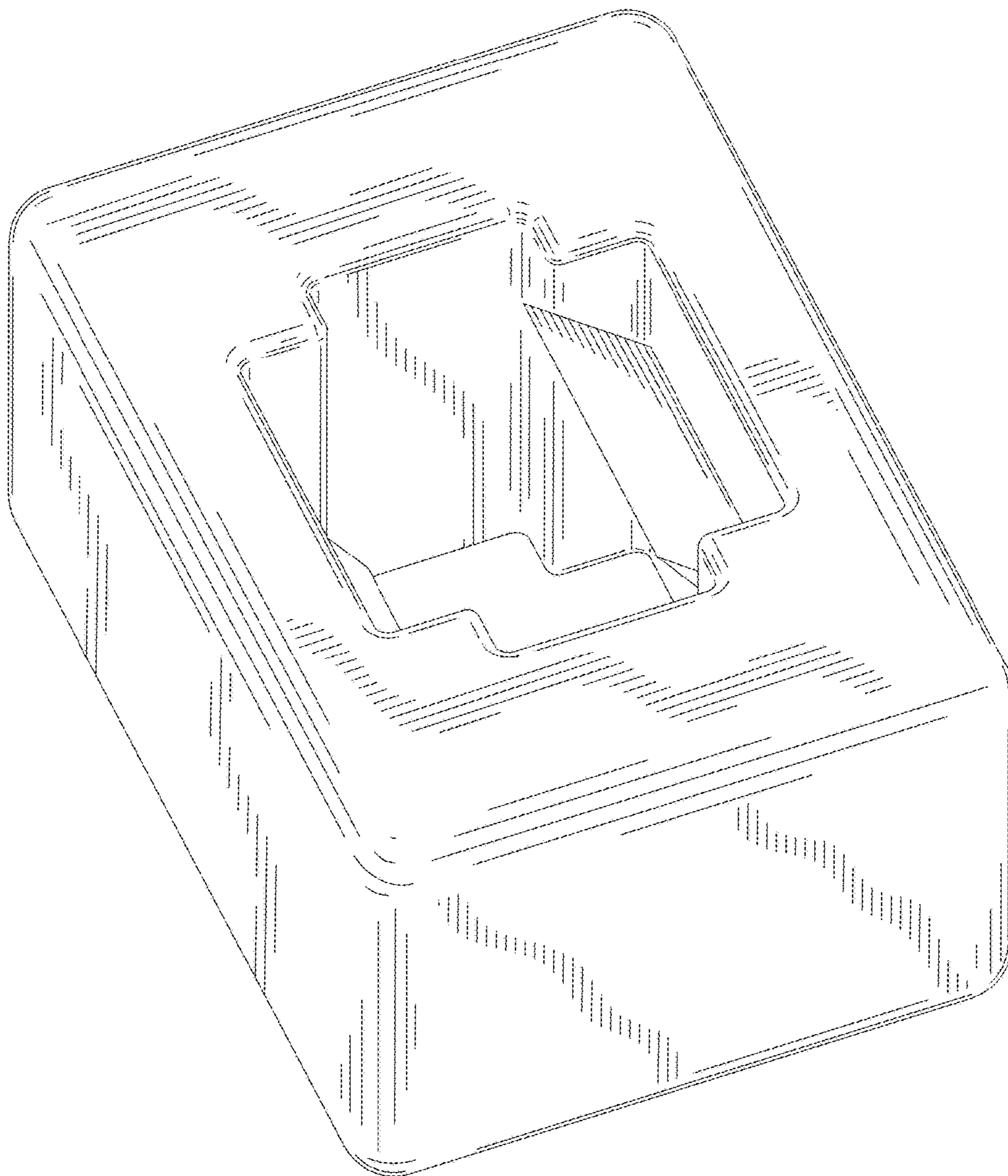


FIG. 1

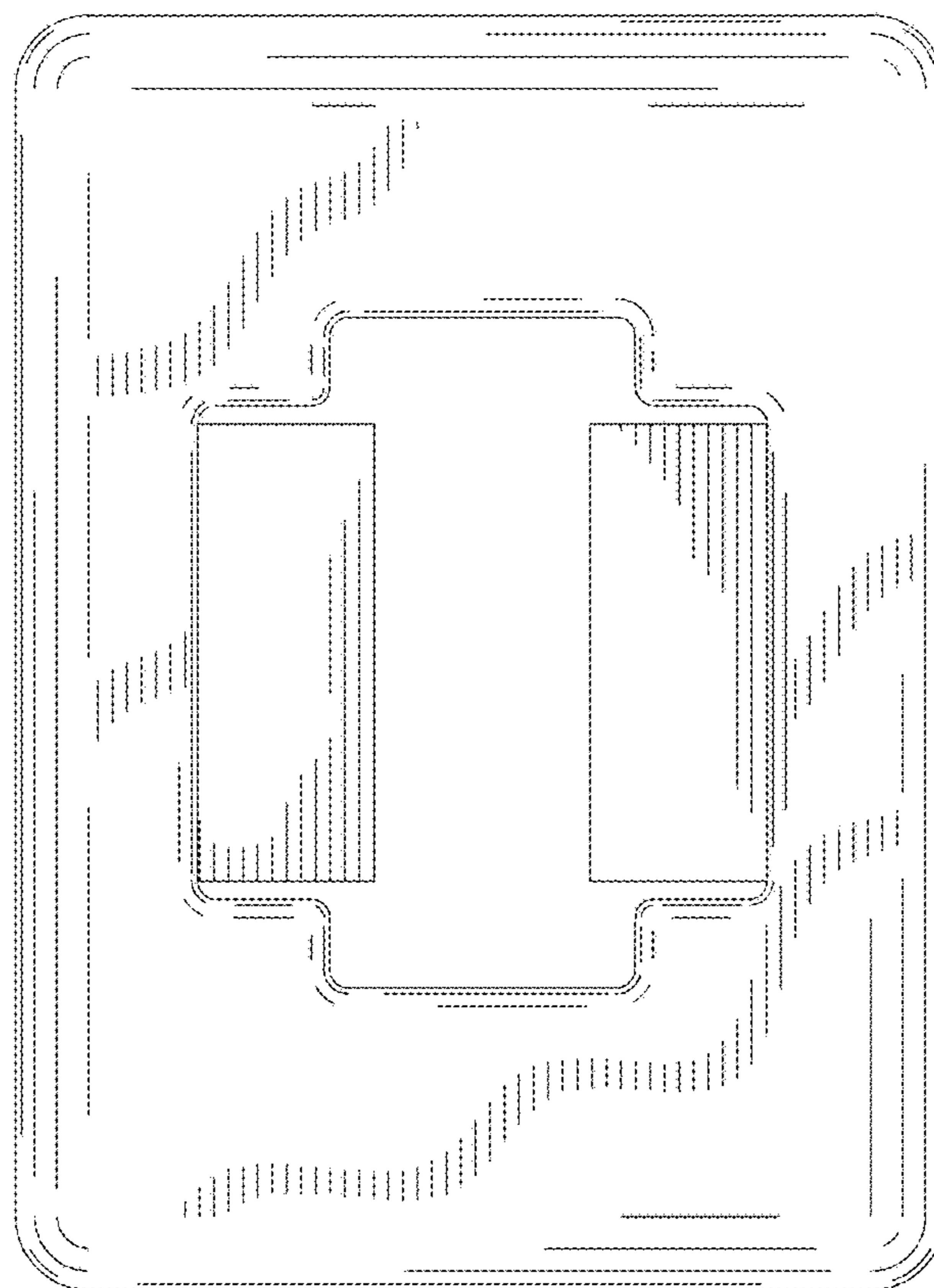


FIG. 2

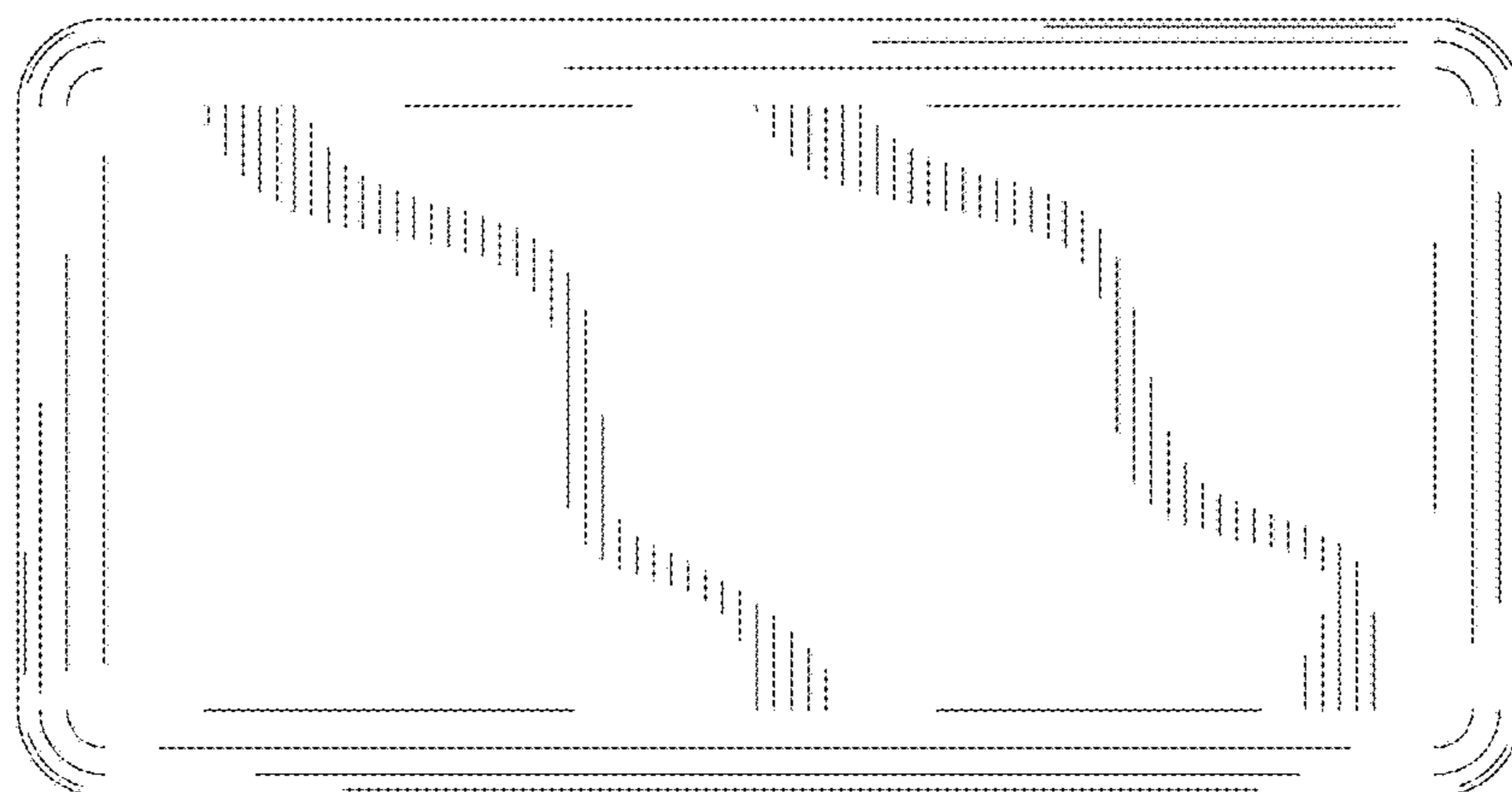


FIG. 3

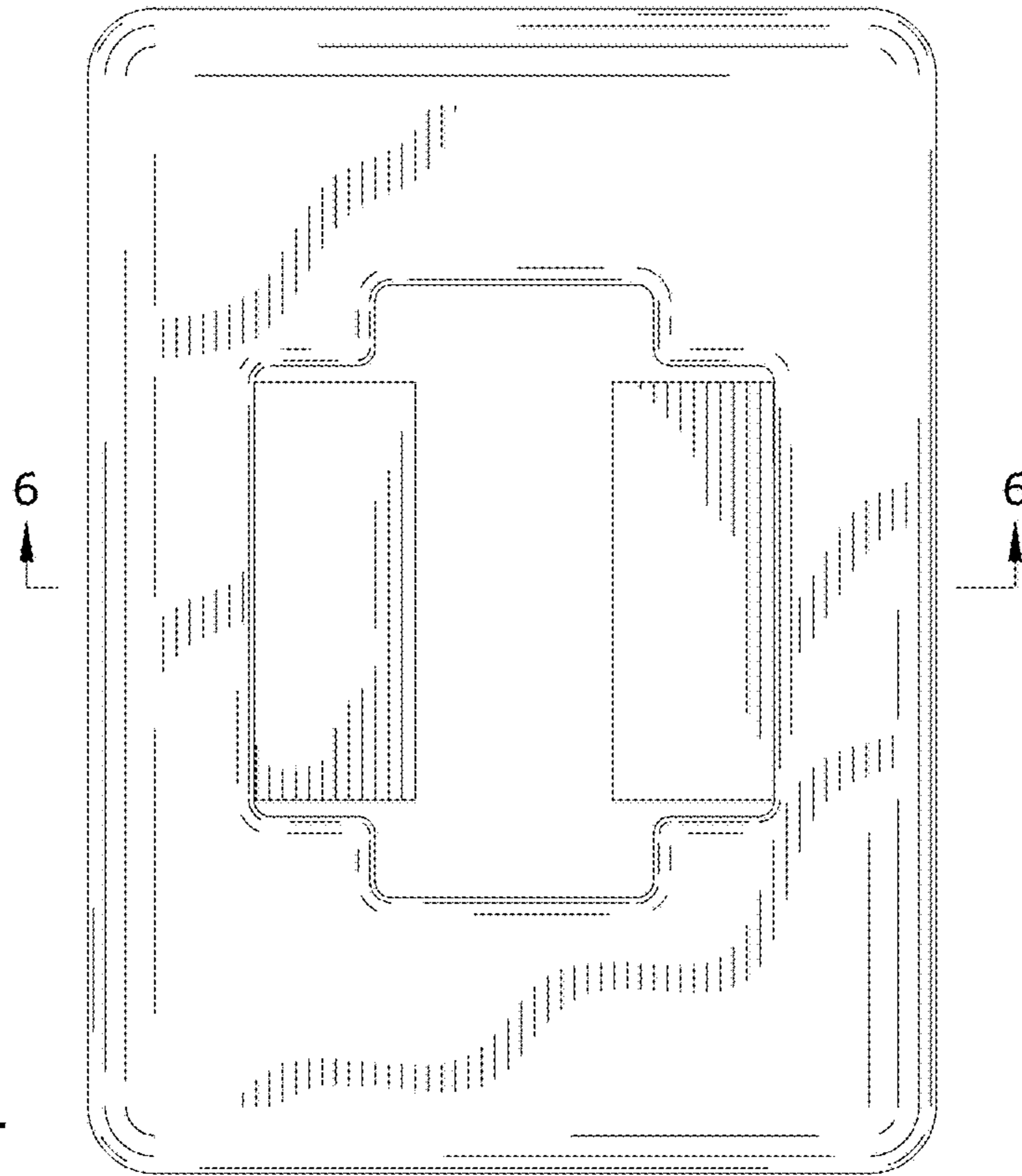


FIG. 4

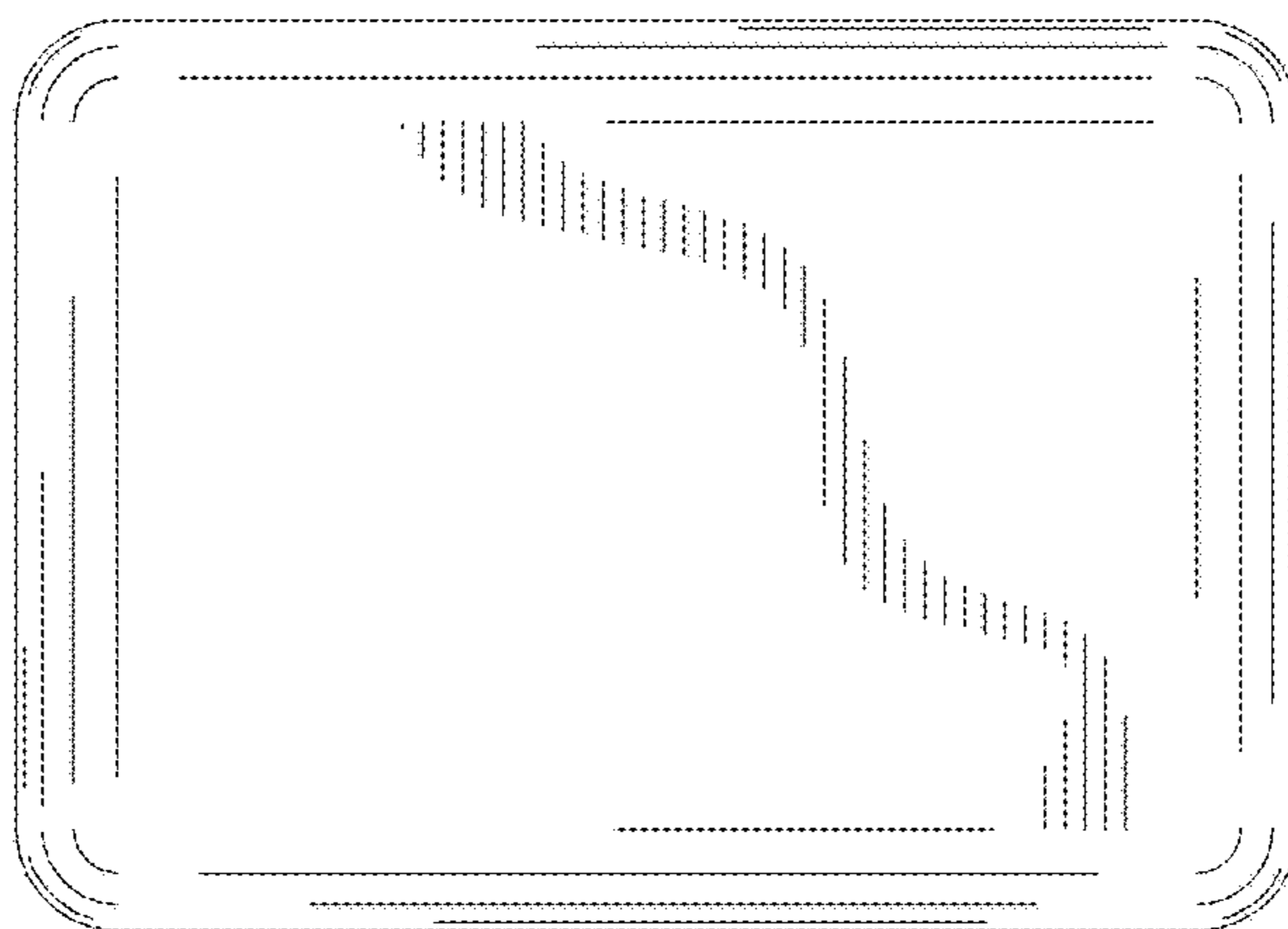


FIG. 5

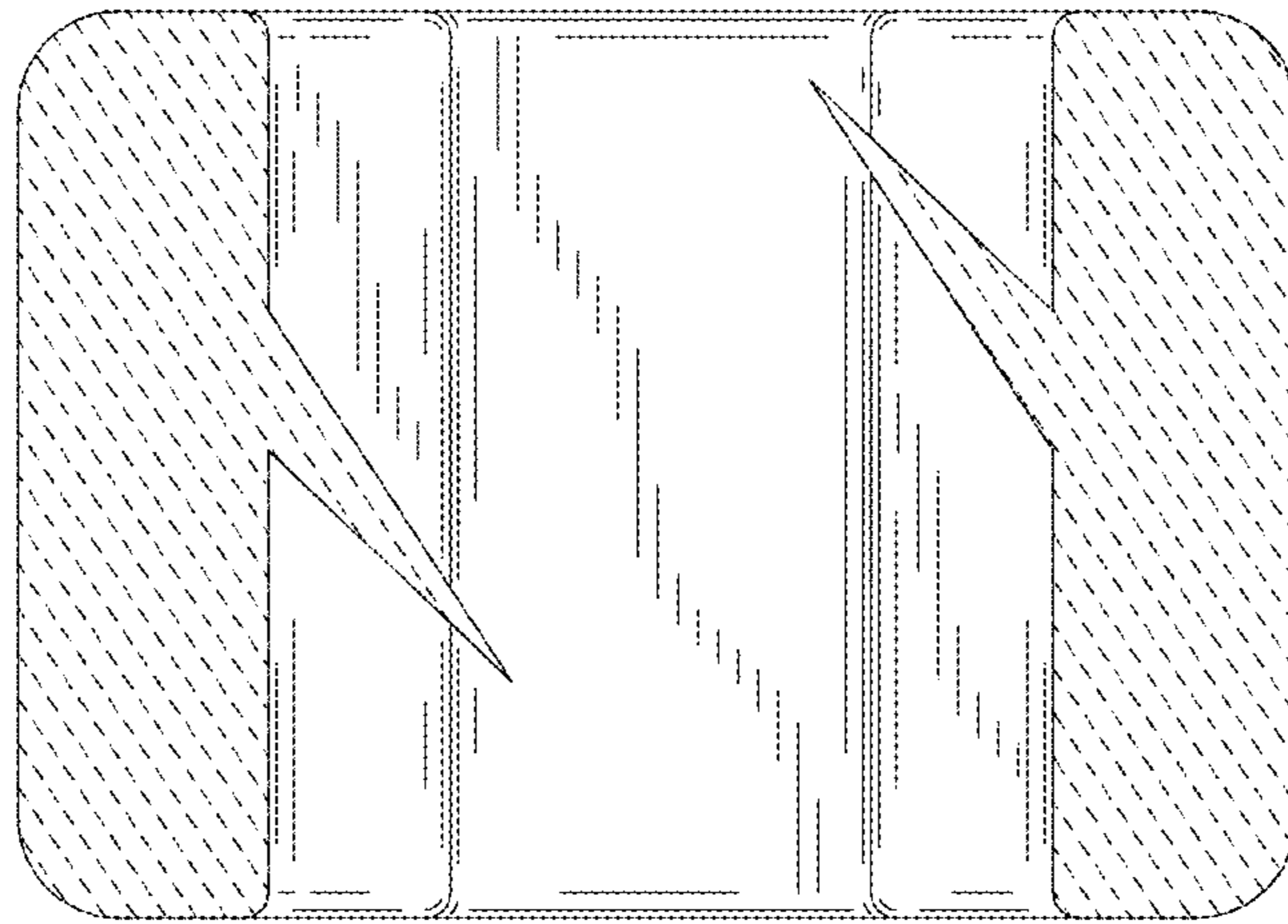


FIG. 6