



US00D812458S

(12) **United States Design Patent**  
**Goto et al.**

(10) **Patent No.:** **US D812,458 S**  
(45) **Date of Patent:** **\*\* Mar. 13, 2018**

(54) **FASTENER FOR AUTOMOBILE FLOOR MAT**

(71) Applicants: **Honda Access Corp.**, Niiza-shi, Saitama (JP); **PIOLAX, INC.**, Yokohama-shi, Kanagawa (JP)

(72) Inventors: **Takashi Goto**, Niiza (JP); **Kazuki Iwashita**, Niiza (JP); **Hiroshi Murakami**, Niiza (JP); **Ryu Hattori**, Yokohama (JP); **Kazuhiro Mita**, Yokohama (JP)

(73) Assignees: **HONDA ACCESS CORP.**, Niiza-shi (JP); **PIOLAX INC.**, Yokohama-shi (JP)

(\*\*) Term: **15 Years**

(21) Appl. No.: **29/576,289**

(22) Filed: **Sep. 1, 2016**

(30) **Foreign Application Priority Data**

Mar. 3, 2016 (JP) ..... 2016-004801

(51) **LOC (11) Cl.** ..... **08-08**

(52) **U.S. Cl.**  
USPC ..... **D8/382**

(58) **Field of Classification Search**  
USPC .... D8/16, 71, 349, 354, 373, 380, 381, 382, D8/383, 388, 394; D12/192, 223, 203, D12/415, 420  
CPC .... A47G 27/04; A47G 27/0418; B60N 3/044; B60N 3/046; B60N 3/048; B60N 3/042; Y10T 24/309; Y10T 16/10; Y10T 16/118  
See application file for complete search history.

(56) **References Cited**

**U.S. PATENT DOCUMENTS**

5,134,757 A \* 8/1992 Johnson ..... A44B 99/005  
24/573.11  
D335,231 S \* 5/1993 Bengtson ..... D6/512

6,357,090 B1 \* 3/2002 Murai ..... A44B 99/005  
24/590.1  
7,491,025 B2 \* 2/2009 Tangeman ..... A61G 13/0018  
24/590.1  
D679,170 S \* 4/2013 Else ..... D8/349  
2009/0235485 A1 \* 9/2009 Connor, Jr. .... B60N 3/046  
16/4  
2010/0212119 A1 \* 8/2010 Dendo ..... B60N 3/046  
24/453  
2013/0047372 A1 \* 2/2013 Goto ..... B60N 3/046  
16/4  
2013/0287996 A1 \* 10/2013 Masanek, Jr. .... B60N 3/044  
428/131  
2014/0373314 A1 \* 12/2014 Machida ..... B60N 3/046  
24/351

(Continued)

*Primary Examiner* — Sandra S Snapp

*Assistant Examiner* — Ieisha N Price

(74) *Attorney, Agent, or Firm* — Westerman, Hattori, Daniels & Adrian

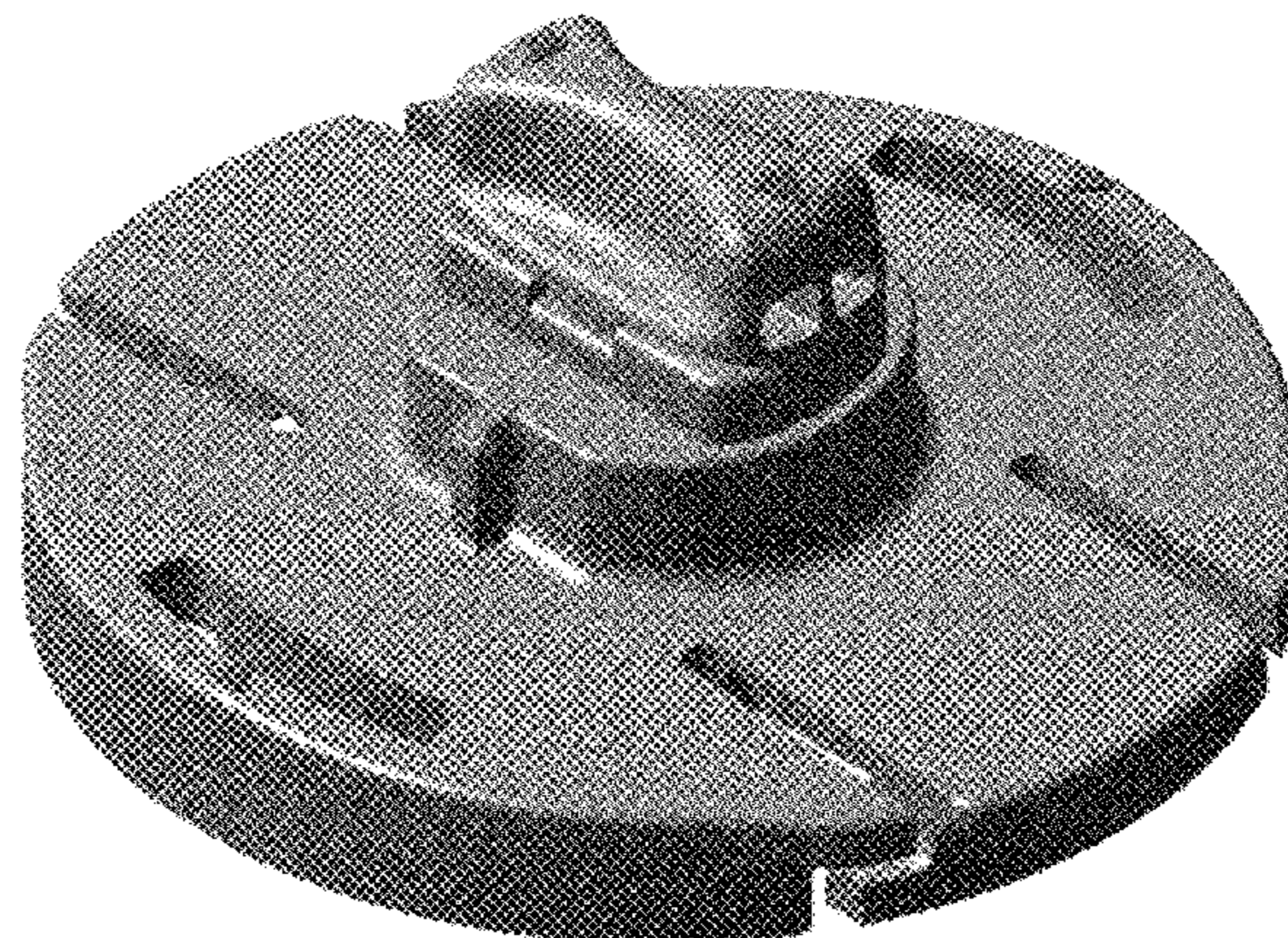
(57) **CLAIM**

The ornamental design for a fastener for automobile floor mat, as shown and described.

**DESCRIPTION**

FIG. 1 is a front perspective view of a fastener for automobile floor mat;  
FIG. 2 is a front view thereof;  
FIG. 3 is a top plan view thereof;  
FIG. 4 is a bottom plan view thereof; and,  
FIG. 5 is a left side view thereof.  
The superimposed areas incised in broken lines, shown in FIGS. 2, 4 and 5, illustrate portions of the fastener for automobile floor mat and form no part of the claimed design. Rear and right side views are omitted since they are respectively represented by front and left side views.

**1 Claim, 3 Drawing Sheets**



(56)

**References Cited**

U.S. PATENT DOCUMENTS

2015/0059133 A1\* 3/2015 Hirakawa ..... F16B 2/20  
24/458  
2016/0236603 A1\* 8/2016 Stroud ..... B60N 3/048

\* cited by examiner



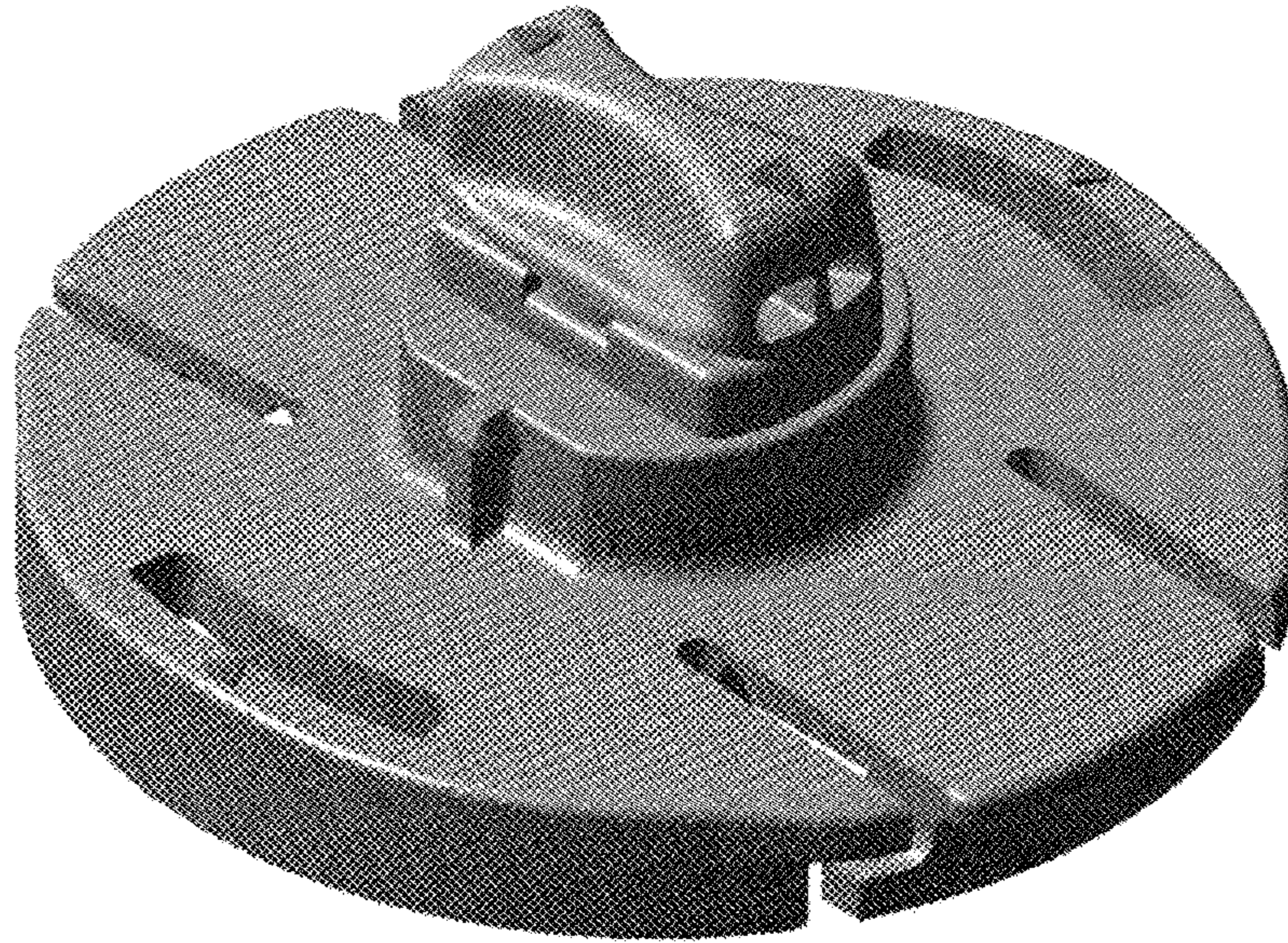


FIG.1

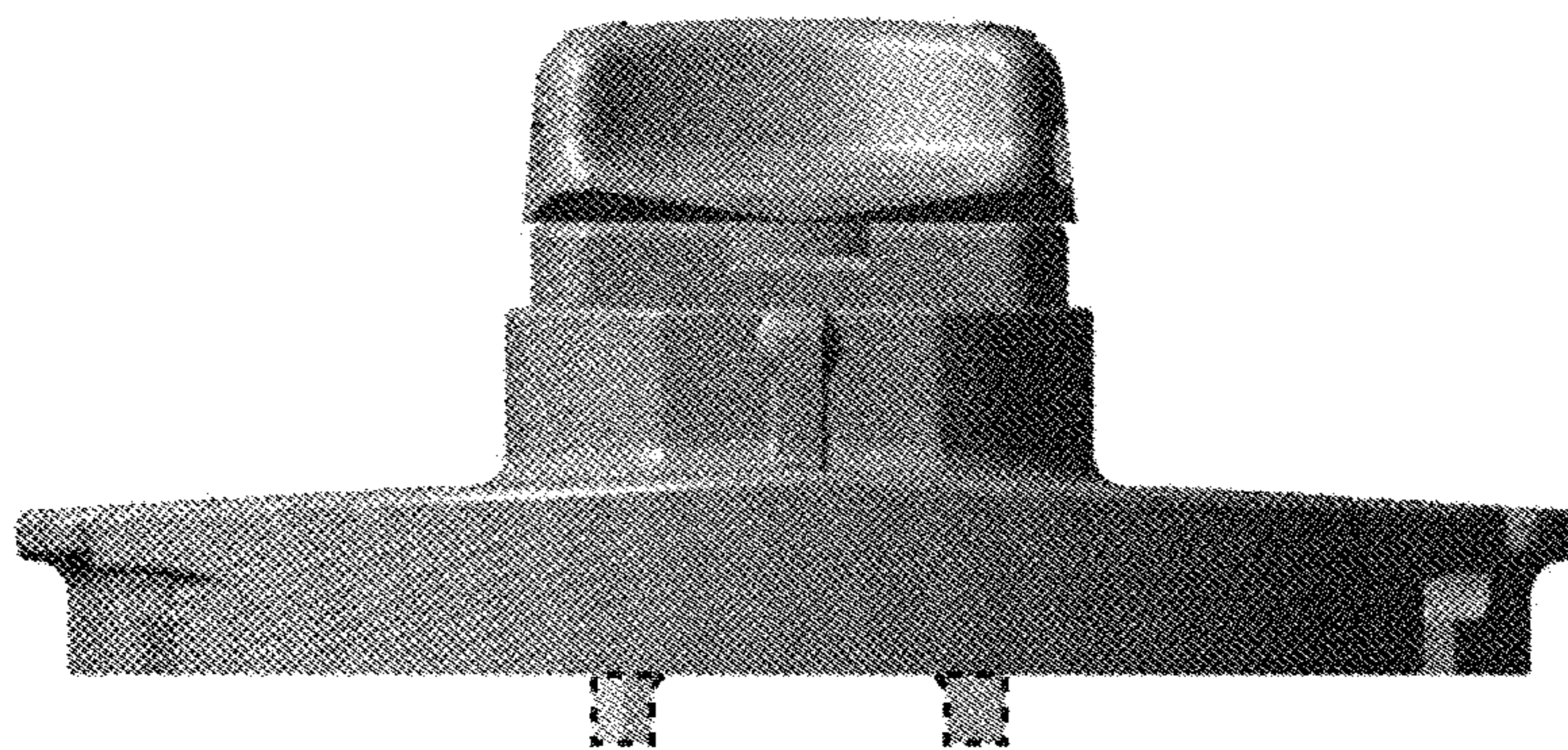


FIG.2



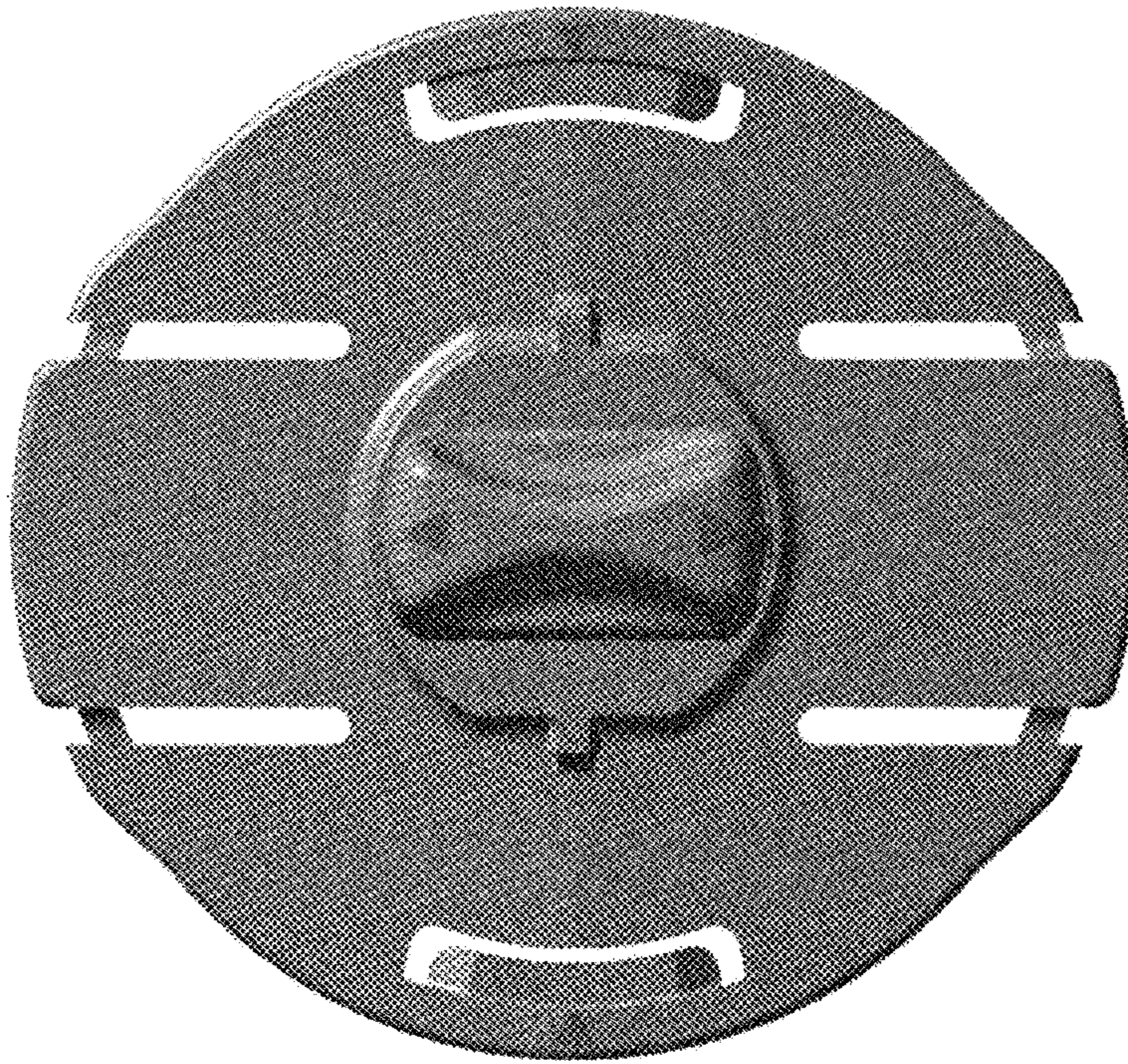


FIG.3

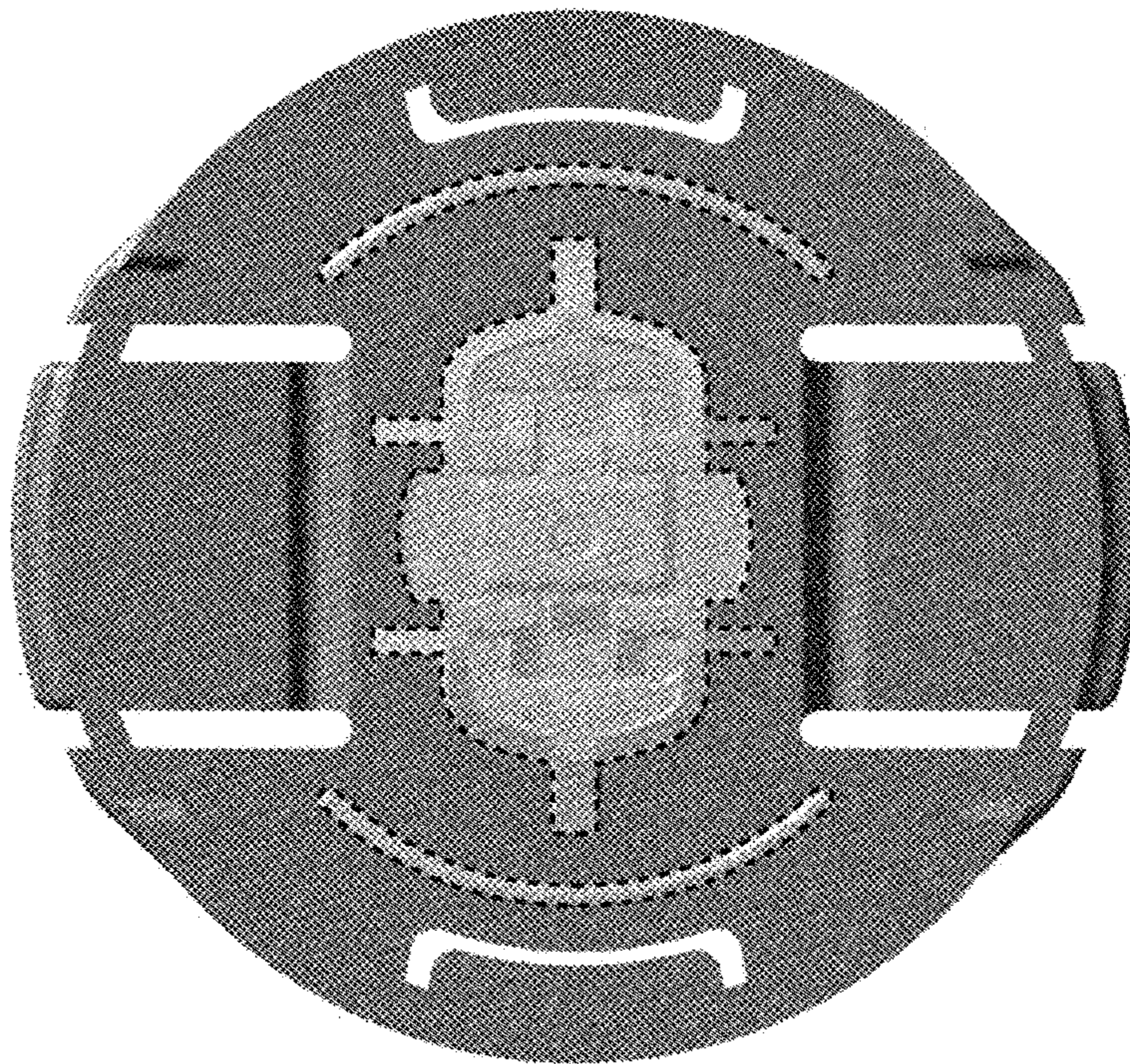


FIG.4



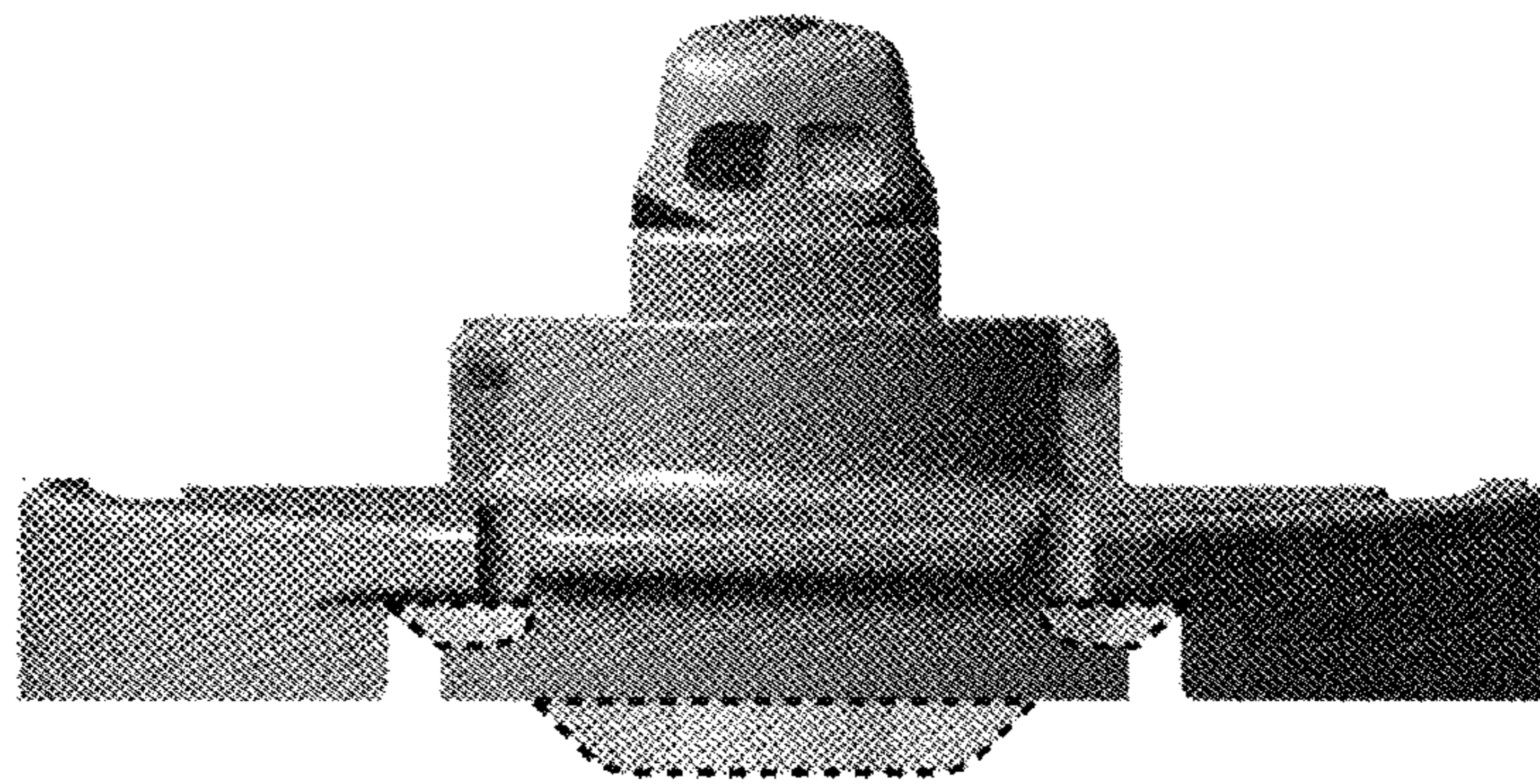


FIG.5