



US00D812457S

(12) **United States Design Patent** (10) **Patent No.:** **US D812,457 S**  
**West** (45) **Date of Patent:** **\*\* Mar. 13, 2018**

(54) **COUPLING**

20/24; Y02E 10/47; Y10T 29/49826;  
F16M 13/022; F16M 13/02

(71) Applicant: **SolarCity Corporation**, San Mateo,  
CA (US)

See application file for complete search history.

(72) Inventor: **Jack Raymond West**, San Rafael, CA  
(US)

(56) **References Cited**

U.S. PATENT DOCUMENTS

(73) Assignee: **SOLARCITY CORPORATION**, San  
Mateo, CA (US)

3,630,253 A 12/1971 Russell  
4,047,516 A 9/1977 Bruel et al.

(Continued)

(\*\*) Term: **14 Years**

FOREIGN PATENT DOCUMENTS

(21) Appl. No.: **29/525,418**

DE 3111969 A1 10/1982  
DE 4444439 A1 4/1995

(22) Filed: **Apr. 29, 2015**

(Continued)

**Related U.S. Application Data**

OTHER PUBLICATIONS

(63) Continuation of application No. 13/402,846, filed on  
Feb. 22, 2012, now abandoned, which is a  
continuation-in-part of application No. 12/830,249,  
filed on Jul. 2, 2010, now Pat. No. 8,919,052, said  
application No. 29/525,418 is a continuation of  
application No. 14/504,168, filed on Oct. 1, 2014,  
now Pat. No. 9,599,280, which is a continuation of  
application No. 13/402,846, filed on Feb. 22, 2012,  
now abandoned, which is a continuation-in-part of  
application No. 12/830,249, filed on Jul. 2, 2010, now  
Pat. No. 8,919,052, said application No. 29/525,418  
is a continuation of application No. 14/454,474, filed  
on Aug. 7, 2014, now Pat. No. 9,518,596, which is a  
continuation-in-part of application No. 12/830,249,  
filed on Jul. 2, 2010, now Pat. No. 8,919,052, said  
application No. 29/525,418 is a continuation of

US 5,819,447, 10/1998, Yamawaki (withdrawn)  
(Continued)

*Primary Examiner* — Ian Simmons  
*Assistant Examiner* — Ieisha N Price  
(74) *Attorney, Agent, or Firm* — Kilpatrick Townsend &  
Stockton LLP

(Continued)

(57) **CLAIM**

The ornamental design for a coupling, as shown and  
described.

(51) **LOC (11) Cl.** ..... **08-08**

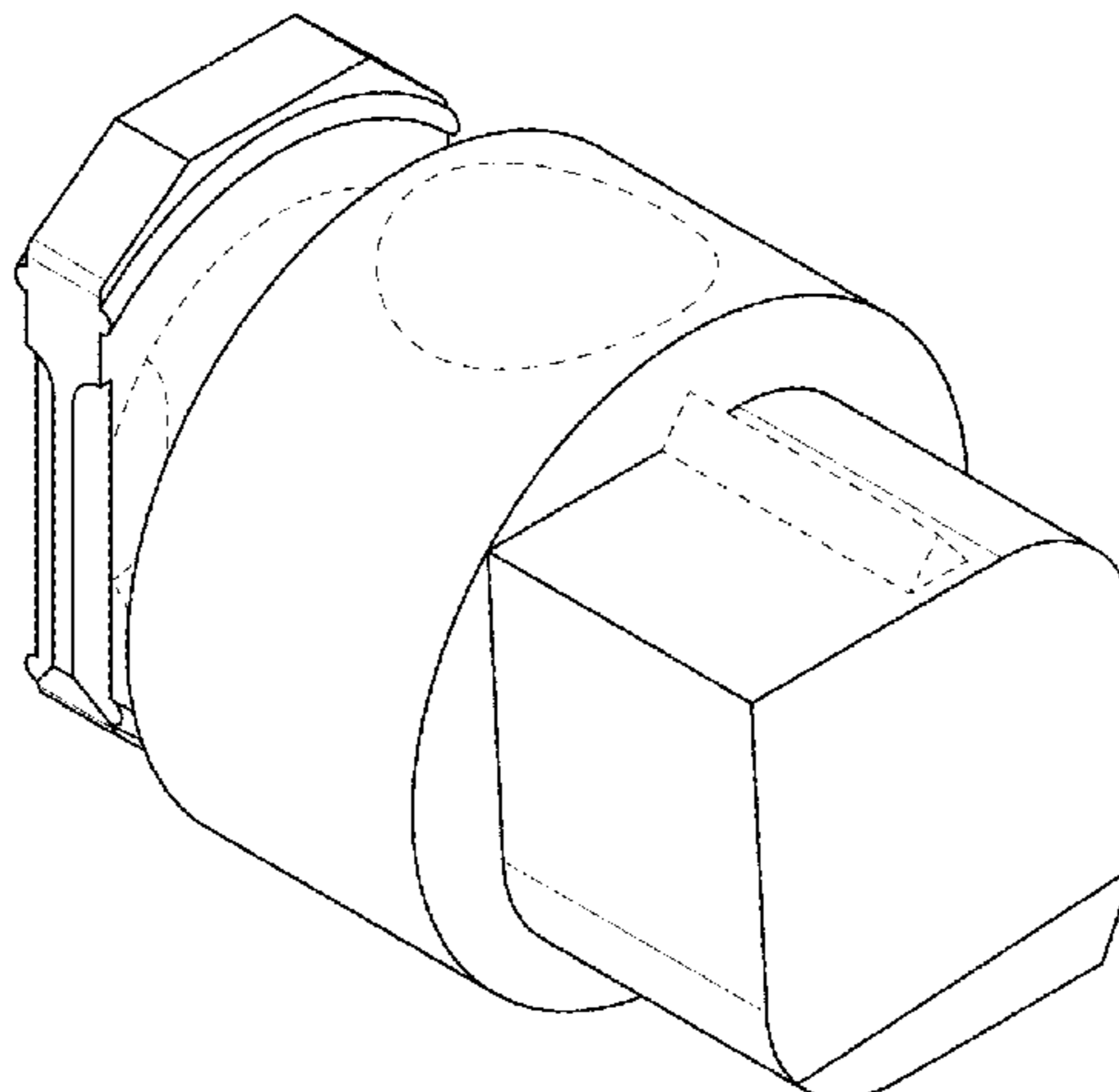
(52) **U.S. Cl.**  
USPC ..... **D8/382**

(58) **Field of Classification Search**  
USPC ..... D8/382, 387, 388, 394, 396, 397, 399,  
D8/349, 354; D14/432, 433  
CPC ..... F24J 2/5243; F24J 2/5245; F24J 2/5262;  
F24J 2/5239; F24J 2002/5292; H02S  
20/30; H02S 20/10; H02S 20/23; H02S

**DESCRIPTION**

FIG. 1 is a top rear perspective view of a coupling showing  
the claimed design; and,  
FIG. 2 is a right side view thereof.  
The broken lines in the drawings illustrate portions of the  
coupling that form no part of the claimed design.  
Portions of the coupling not shown in the figures form no  
part of the claimed design.

**1 Claim, 1 Drawing Sheet**



**Related U.S. Application Data**

application No. 14/531,155, filed on Nov. 3, 2014, which is a continuation of application No. 12/830,249, filed on Jul. 2, 2010, now Pat. No. 8,919,052.

(56)

**References Cited**

U.S. PATENT DOCUMENTS

4,112,922 A 9/1978 Skinner et al.  
 4,146,785 A 3/1979 Neale  
 4,154,223 A 5/1979 Lof  
 4,155,346 A 5/1979 Aresty  
 4,215,677 A 8/1980 Erickson  
 4,217,825 A 8/1980 Bruckner  
 4,219,011 A 8/1980 Knoos  
 4,271,825 A 6/1981 Schwob et al.  
 4,308,858 A 1/1982 Skillman  
 4,310,182 A 1/1982 Vandenbossche  
 4,312,325 A 1/1982 Voges et al.  
 4,353,356 A 10/1982 Vandenbossche  
 4,371,139 A 2/1983 Clark  
 D268,565 S \* 4/1983 Mortus ..... D8/397  
 4,400,847 A 8/1983 Farber  
 4,429,872 A 2/1984 Capachi  
 4,505,261 A 3/1985 Hunter  
 4,570,408 A 2/1986 Frascaroli et al.  
 4,601,378 A \* 7/1986 Pierce ..... F16M 5/00  
 192/115  
 4,691,818 A 9/1987 Weber  
 4,718,185 A 1/1988 Conlin et al.  
 4,966,631 A 10/1990 Matlin et al.  
 5,046,791 A 9/1991 Kooiman  
 5,076,035 A 12/1991 Wright  
 5,127,762 A 7/1992 Havlovitz  
 5,134,827 A 8/1992 Hartman  
 5,143,556 A 9/1992 Matlin  
 5,144,780 A 9/1992 Gieling et al.  
 5,159,782 A \* 11/1992 Sales ..... E06B 7/28  
 206/325  
 5,164,019 A 11/1992 Sinton  
 5,164,020 A 11/1992 Wagner et al.  
 5,203,135 A 4/1993 Bastian  
 5,205,694 A 4/1993 Nagoshi et al.  
 5,232,518 A 8/1993 Nath et al.  
 5,316,592 A 5/1994 Dinwoodie  
 5,333,602 A 8/1994 Huang  
 5,338,369 A 8/1994 Rawlings  
 5,460,660 A 10/1995 Albright et al.  
 5,497,587 A 3/1996 Hirai et al.  
 5,505,788 A 4/1996 Dinwoodie  
 D374,169 S 10/1996 Kopish  
 5,571,338 A 11/1996 Kadonome et al.  
 5,596,981 A 1/1997 Soucy  
 5,628,580 A 5/1997 Rinderer  
 D387,655 S 12/1997 Kopish  
 5,706,617 A 1/1998 Hirai et al.  
 5,746,029 A 5/1998 Ullman  
 5,746,839 A 5/1998 Dinwoodie  
 5,787,653 A 8/1998 Sakai et al.  
 5,960,790 A 10/1999 Rich  
 6,061,978 A 5/2000 Dinwoodie et al.  
 6,093,884 A 7/2000 Toyomura et al.  
 6,105,317 A 8/2000 Tomiuchi et al.  
 6,111,189 A 8/2000 Garvison et al.  
 6,148,570 A 11/2000 Dinwoodie et al.  
 6,201,180 B1 3/2001 Meyer et al.  
 6,207,889 B1 3/2001 Toyomura et al.  
 6,269,596 B1 8/2001 Ohtsuka et al.  
 6,274,402 B1 8/2001 Verlinden et al.  
 6,295,818 B1 10/2001 Ansley et al.  
 6,313,395 B1 11/2001 Crane et al.  
 6,337,283 B1 1/2002 Verlinden et al.  
 6,360,491 B1 3/2002 Ullman  
 6,370,828 B1 4/2002 Genschorek  
 6,387,726 B1 5/2002 Verlinden et al.  
 6,423,568 B1 7/2002 Verlinden et al.  
 6,465,724 B1 10/2002 Garvison et al.

6,495,750 B1 12/2002 Dinwoodie  
 6,501,013 B1 12/2002 Dinwoodie  
 6,523,320 B2 2/2003 Stoof  
 6,534,702 B1 3/2003 Makita et al.  
 6,534,703 B2 3/2003 Dinwoodie  
 6,568,873 B1 5/2003 Peterson  
 6,570,084 B2 5/2003 Dinwoodie  
 6,586,668 B2 7/2003 Shugar et al.  
 D478,496 S \* 8/2003 Gratiot ..... D8/349  
 6,617,507 B2 9/2003 Mapes et al.  
 6,634,077 B2 10/2003 Layfield  
 6,670,541 B2 12/2003 Nagao et al.  
 6,672,018 B2 1/2004 Shingleton  
 6,675,545 B2 1/2004 Chen et al.  
 6,675,580 B2 1/2004 Ansley et al.  
 6,676,326 B2 1/2004 Wu  
 6,722,357 B2 4/2004 Shingleton  
 6,761,008 B2 7/2004 Chen et al.  
 6,784,360 B2 8/2004 Nakajima et al.  
 6,809,251 B2 10/2004 Dinwoodie  
 6,809,253 B2 10/2004 Dinwoodie  
 D498,136 S \* 11/2004 Parker ..... D8/323  
 6,935,623 B2 8/2005 Cook et al.  
 D510,315 S 10/2005 Shugar et al.  
 D511,576 S 11/2005 Shingleton et al.  
 6,959,517 B2 11/2005 Poddany et al.  
 RE38,988 E 2/2006 Dinwoodie  
 6,993,917 B2 2/2006 Unger et al.  
 7,043,884 B2 5/2006 Moreno  
 D549,567 S \* 8/2007 Hamu ..... D8/397  
 7,260,918 B2 8/2007 Liebendorfer  
 7,297,867 B2 11/2007 Nomura et al.  
 7,328,534 B2 2/2008 Dinwoodie  
 7,339,110 B1 3/2008 Mulligan et al.  
 D565,505 S 4/2008 Shugar et al.  
 7,406,800 B2 8/2008 Cinnamon et al.  
 7,435,134 B2 10/2008 Lenox  
 7,592,537 B1 9/2009 West  
 7,600,349 B2 10/2009 Liebendorfer  
 D612,021 S \* 3/2010 Schmidt ..... D23/262  
 7,748,175 B2 7/2010 Liebendorfer  
 7,774,998 B2 8/2010 Aschenbrenner  
 7,806,377 B2 10/2010 Strizki  
 7,832,157 B2 11/2010 Cinnamon  
 7,866,098 B2 1/2011 Cinnamon  
 7,866,099 B2 1/2011 Komamine et al.  
 7,915,519 B2 3/2011 Kobayashi  
 D639,634 S \* 6/2011 Arai ..... D8/323  
 D643,841 S \* 8/2011 Lyford ..... D13/133  
 7,987,641 B2 8/2011 Cinnamon  
 8,109,048 B2 2/2012 West et al.  
 8,316,590 B2 11/2012 Cusson  
 D705,044 S \* 5/2014 Hammac ..... D8/380  
 9,157,560 B2 \* 10/2015 Rehder ..... F16L 37/0841  
 D756,760 S \* 5/2016 Fay, II ..... D15/17  
 2002/0078991 A1 6/2002 Nagao et al.  
 2002/0112435 A1 8/2002 Hartman  
 2003/0015636 A1 1/2003 Liebendorfer  
 2003/0015637 A1 1/2003 Liebendorfer  
 2003/0070368 A1 4/2003 Shingleton  
 2003/0201009 A1 10/2003 Nakajima et al.  
 2004/0007260 A1 1/2004 Dinwoodie  
 2004/0063265 A1 4/2004 Noble  
 2004/0163338 A1 8/2004 Liebendorfer  
 2004/0179892 A1 9/2004 Du  
 2005/0087981 A1 \* 4/2005 Yamada ..... F16L 37/0982  
 285/81  
 2005/0115176 A1 6/2005 Russell et al.  
 2005/0199278 A1 9/2005 Aschenbrenner  
 2005/0257453 A1 11/2005 Cinnamon et al.  
 2006/0042680 A1 3/2006 Korman et al.  
 2006/0118163 A1 6/2006 Plaisted et al.  
 2006/0156651 A1 7/2006 Genschorek  
 2007/0074755 A1 4/2007 Eberspacher et al.  
 2007/0102036 A1 5/2007 Cinnamon  
 2007/0151594 A1 7/2007 Mascolo et al.  
 2007/0157963 A1 7/2007 Metten et al.  
 2007/0266672 A1 11/2007 Bateman et al.  
 2008/0000173 A1 1/2008 Lenox et al.

(56)

References Cited

U.S. PATENT DOCUMENTS

2008/0302407	A1	12/2008	Kobayashi	
2009/0025314	A1	1/2009	Komamine et al.	
2009/0064606	A1	3/2009	Ceria	
2009/0078299	A1	3/2009	Cinnamon et al.	
2009/0095280	A1	4/2009	Buller et al.	
2010/0147362	A1	6/2010	King et al.	
2010/0179678	A1	7/2010	Dinwoodie et al.	
2010/0218798	A1	9/2010	Cinnamon et al.	
2010/0236162	A1	9/2010	Tweedie	
2010/0269430	A1	10/2010	Haddock	
2011/0070765	A1	3/2011	Kobayashi	
2011/0100434	A1	5/2011	Van	
2011/0179727	A1	7/2011	Liu	
2011/0214365	A1	9/2011	Aftanas	
2011/0214368	A1	9/2011	Haddock et al.	
2011/0220180	A1	9/2011	Cinnamon et al.	
2012/0273029	A1	11/2012	Bragagna et al.	
2013/0336784	A1*	12/2013	Sankolli .....	F16B 13/0858 415/220
2014/0175244	A1*	6/2014	West .....	F24J 2/5205 248/316.7
2015/0155820	A1*	6/2015	West .....	F24J 2/5211 52/747.1

FOREIGN PATENT DOCUMENTS

DE	29703481	U1	11/1997
DE	102005002828	A1	8/2006
GB	2391704	A	2/2004
JP	47023570		7/1971
JP	47057885		5/1972
JP	S5777856	A	5/1982
JP	S5787561	A	6/1982
JP	S58133945	U	9/1983
JP	S59191748	U	12/1984
JP	H0242449	U	3/1990
JP	H0452367	A	2/1992
JP	H0641156	U	5/1994
JP	H07202242	A	8/1995
JP	H08296311	A	11/1996
JP	H10159284	A	6/1998
JP	H10176403	A	6/1998
JP	H10266499	A	10/1998
JP	H10317619	A	12/1998
JP	H10317621	A	12/1998
JP	H112004	A	1/1999
JP	H112011	A	1/1999
JP	H116262	A	1/1999
JP	H1140835	A	2/1999
JP	H11222991	A	8/1999
JP	2000150947	A	5/2000
JP	2000345664	A	12/2000
JP	2001148493	A	5/2001
JP	2001210853	A	8/2001
JP	2002141541	A	5/2002
JP	2002294957	A	10/2002
JP	2003227207	A	8/2003
JP	2008214875	A	9/2008
WO	WO-2005116359	A2	12/2005
WO	WO-2007103882	A2	9/2007
WO	WO-2008124158	A1	10/2008
WO	WO-2010074701	A1	7/2010

OTHER PUBLICATIONS

CI Solar Supplies Co. On-Line Catalog, [last modified: Mar. 13, 2010], Retrieved from the Internet: <URL: <http://www.cisolar.com/catSolarHotColl.htm>>.

Co-pending, U.S. Appl. No. 12/830,250, inventors John R. West, et al., filed Jul. 2, 2010 (Published).

Co-pending, U.S. Appl. No. 12/830,252, inventors John R. West, et al., filed Jul. 2, 2010 (Patented).

Co-pending, U.S. Appl. No. 12/830,257, inventors John R. West, et al., filed Jul. 2, 2010 (Published).

English Translation of Abstract for DE Publication No. 102005002828 published Aug. 3, 2006.

English Translation of Abstract for JP Publication No. 08296311 published Nov. 12, 1996.

English Translation of Abstract for JP Publication No. 10159284 published Jun. 16, 2008.

English Translation of Abstract for JP Publication No. 11222991 published Aug. 17, 1999.

English Translation of Abstract for JP Publication No. 2000345664 published Dec. 12, 2000.

English Translation of Abstract for JP Publication No. 2008214875 published Sep. 18, 2008.

English Translation of Abstract for JP Publication No. 57087561 published Jun. 1, 1982.

English Translation of DE Publication No. 4444439 published Apr. 27, 1995.

Final Office Action mailed Feb. 17, 2009, in U.S. Appl. No. 11/053,524, John Raymond, filed Feb. 7, 2005.

International Search Report and Written Opinion for International Application No. PCT/US2010/040981, European Patent Office, Netherlands, dated Jul. 7, 2011.

International Search Report and Written Opinion for International Application No. PCT/US2010/040984, European Patent Office, Netherlands, dated Jun. 30, 2011.

International Search Report and Written Opinion for International Application No. PCT/US2010/040986, European Patent Office, Netherlands, dated Jul. 7, 2011.

Notice of Allowance and Fee(s) Due dated Aug. 12, 2009, in U.S. Appl. No. 11/053,524, John Raymond, filed Feb. 7, 2005.

Notice of Non-Compliant Amendment dated Sep. 23, 2008, in U.S. Appl. No. 11/053,524, John Raymond, filed Feb. 7, 2005.

Office Action dated Apr. 26, 2011, in U.S. Appl. No. 12/830,252, John R. West, et al., filed Jul. 2, 2010.

Office Action dated Apr. 26, 2011, in U.S. Appl. No. 12/830,257, John R. West, et al., filed Jul. 2, 2010.

Office Action dated Apr. 4, 2008, in U.S. Appl. No. 11/053,524, John Raymond, filed Feb. 7, 2005.

Office Action dated May 3, 2011, in U.S. Appl. No. 12/830,250, John R. West, et al., filed Jul. 2, 2010.

PanelClaw "Grizzly Bear Flat Roof Mounting System", accessed at <http://www.panelclaw.com/grizzly-bear.html>, pp. 1-2, accessed on May 6, 2014.

PanelClaw "Kodiak Bear Flat Roof Mounting System", accessed at <http://www.panelclaw.com/component/k2/item/41.html?Itemid=186>, pp. 1-2, accessed on May 6, 2014.

Preliminary Amendment filed Mar. 24, 2010 in U.S. Appl. No. 12/594,935.

Re-Exam Application No. 95/001,304 filed Apr. 2, 2010.

Response to Final Office Action dated May 27, 2009, in U.S. Appl. No. 11/053,524, John Raymond, filed Feb. 7, 2005.

Response to Notice of Non-Compliant Amendment dated Oct. 27, 2008, in U.S. Appl. No. 11/053,524, John Raymond, filed Feb. 7, 2005.

Response to Office Action dated Jul. 5, 2011, in U.S. Appl. No. 12/830,250, John R. West, et al., filed Jul. 2, 2010.

Response to Office Action dated Jul. 10, 2008, in U.S. Appl. No. 11/053,524, John Raymond, filed Feb. 7, 2005.

Response to Office Action dated Jun. 27, 2011, in U.S. Appl. No. 12/830,252, John R. West, et al., filed Jul. 2, 2010.

Response to Office Action dated Jun. 27, 2011, in U.S. Appl. No. 12/830,257, John R. West, et al., filed Jul. 2, 2010.

Sharp Product Brochure, "The On Energy Solar Racking System for Asphalt-Shingle Roofs with Flashing Attachment," 2008.

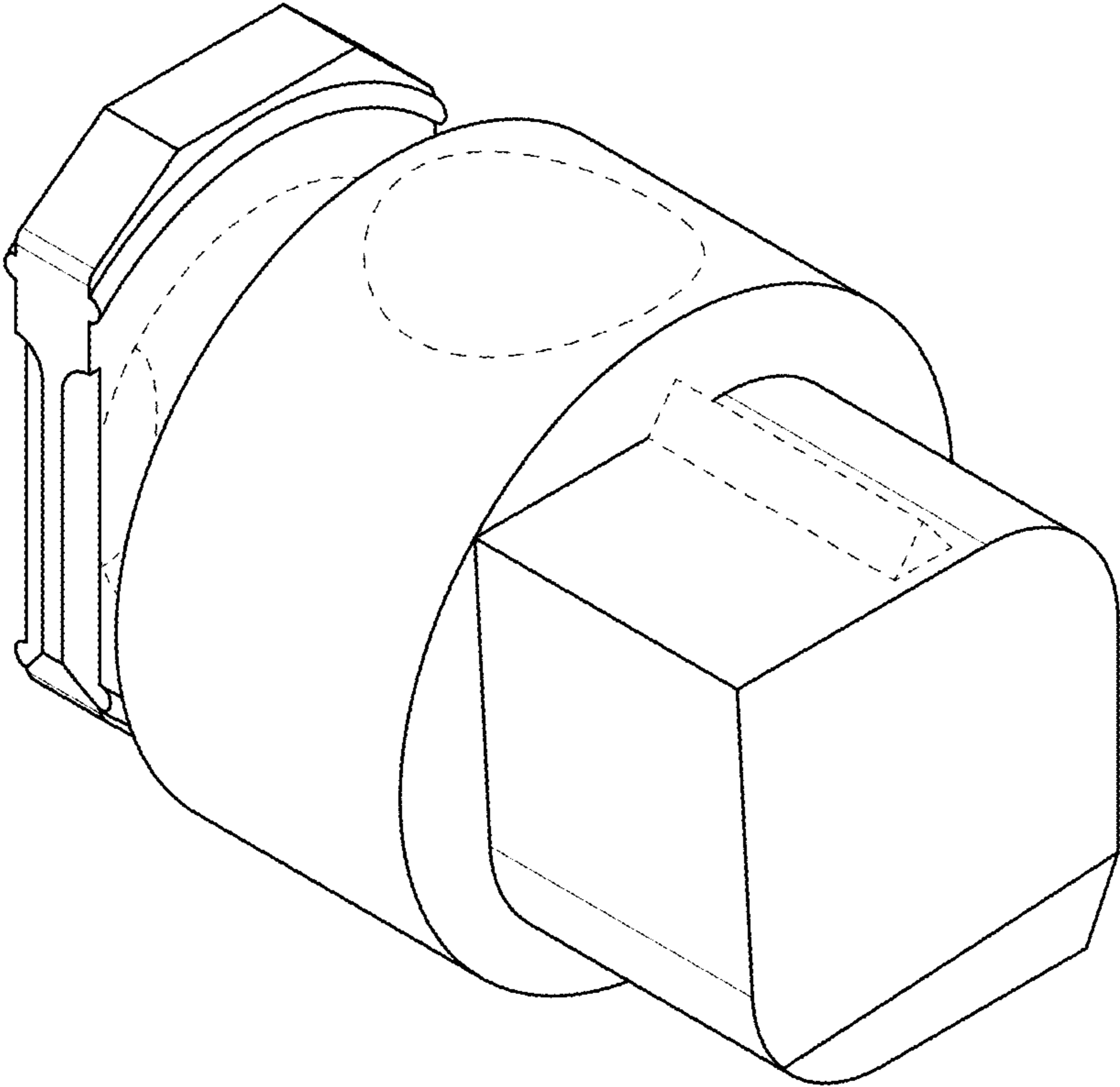
Solarex VLX PV Module, circa 1993.

Solyndra 200 Series datasheet, released Apr. 1, 2011.

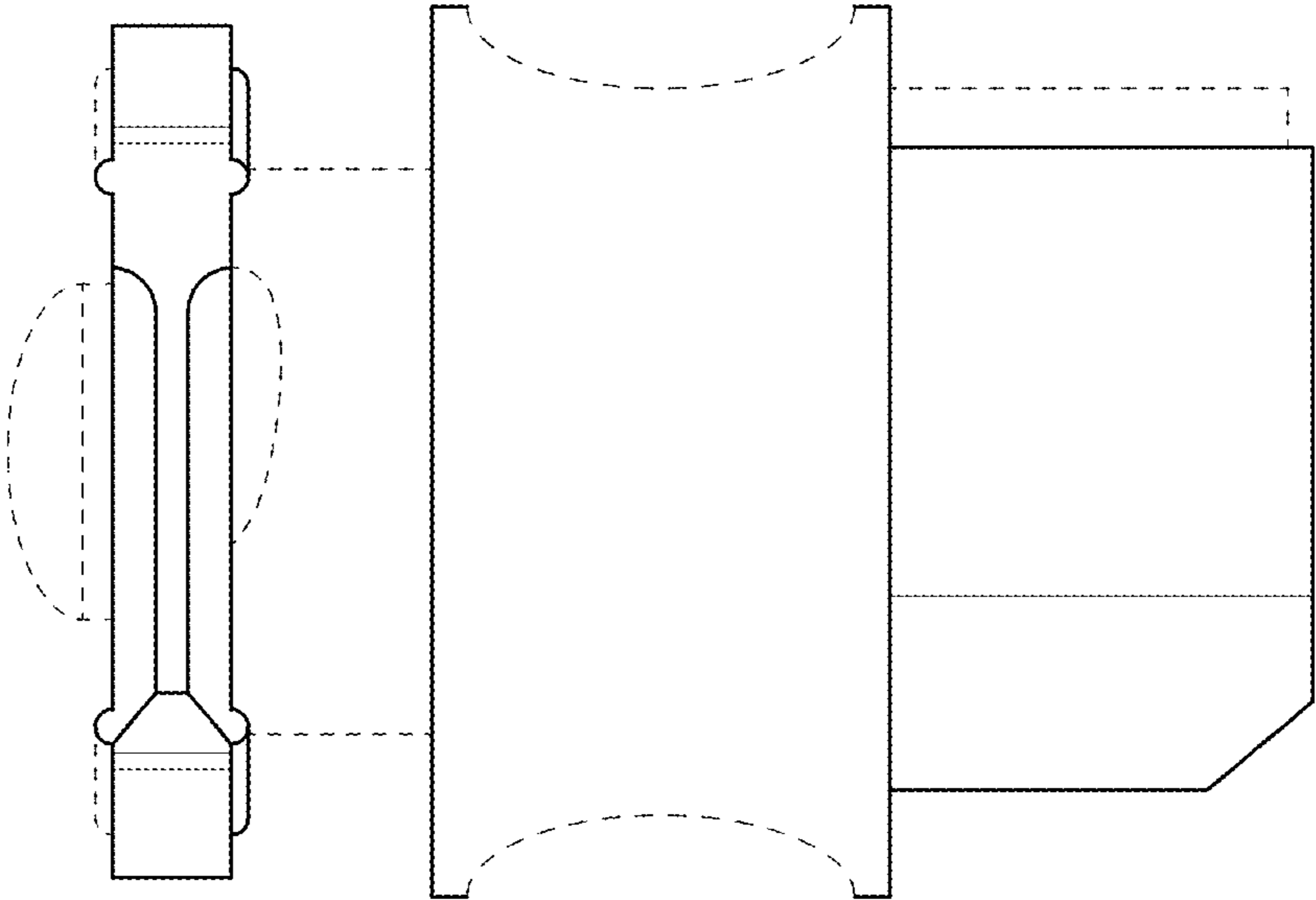
Unirac Installation Manual 201, 2003.

Unirac Technical Bulletin 103, May 2002.

\* cited by examiner



**FIG. 1**



**FIG. 2**