



US00D812456S

(12) **United States Design Patent**
Nolta

(10) **Patent No.:** **US D812,456 S**
(45) **Date of Patent:** **** Mar. 13, 2018**

- (54) **GUN SUPPORT BRACKET**
- (71) Applicant: **Vance G. Nolta**, Santee, CA (US)
- (72) Inventor: **Vance G. Nolta**, Santee, CA (US)
- (**) Term: **15 Years**
- (21) Appl. No.: **29/579,949**
- (22) Filed: **Oct. 4, 2016**
- (51) **LOC (11) Cl.** **08-05**
- (52) **U.S. Cl.**
USPC **D8/373**
- (58) **Field of Classification Search**
USPC D8/355, 363, 366, 367, 371, 372, 373;
D6/323, 324, 327, 328, 524, 526, 531,
D6/534, 538, 553; D12/223; D22/109
CPC F41A 23/18; F41A 23/26; F41A 21/48;
F41A 23/00; B05B 13/005
See application file for complete search history.

- D694,038 S * 11/2013 Besen D6/526
- D727,656 S * 4/2015 Lim D6/553
- D729,542 S * 5/2015 Dontfraid D6/534
- D736,071 S * 8/2015 Wu D8/373
- D753,931 S * 4/2016 Schultz D6/524
- D773,287 S * 12/2016 Lida D8/363

* cited by examiner

Primary Examiner — Robert M. Spear
Assistant Examiner — Eliza Z Bennett-Hattan
(74) *Attorney, Agent, or Firm* — Justin Lampel

(57) **CLAIM**

The ornamental design for a gun support bracket, as shown and described.

DESCRIPTION

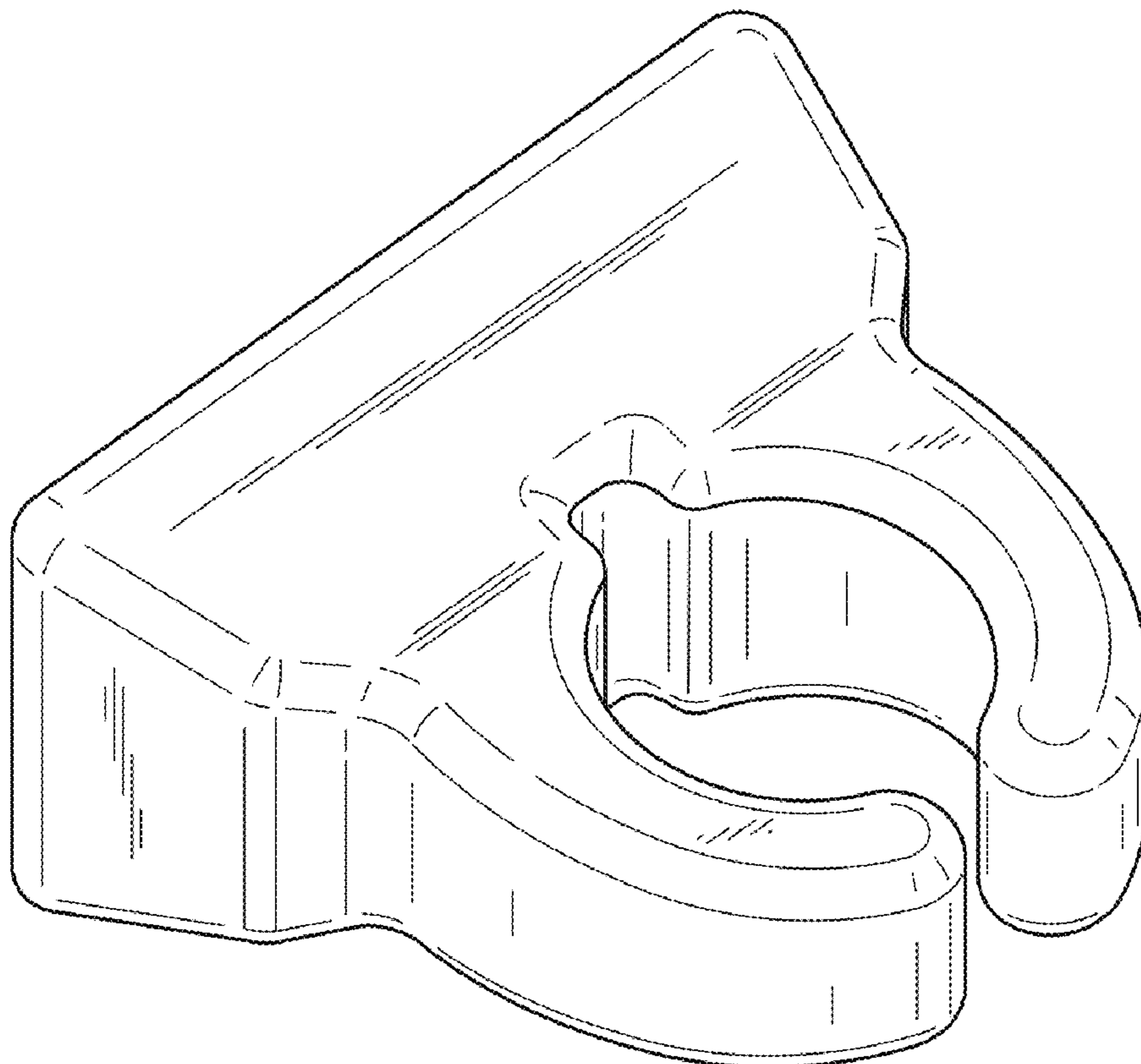
FIG. 1 is a perspective view of the gun support bracket; FIG. 2 is a front view of the gun support bracket; FIG. 3 is a back view of the gun support bracket; FIG. 4 is a side view of the gun support bracket; FIG. 5 is a top view of the gun support bracket; and, FIG. 6 is a perspective view of the gun support bracket in an environment secured to a vehicle.
The broken line showing depict environmental subject matter only and forms no part of the claimed design.

(56) **References Cited**

U.S. PATENT DOCUMENTS

- D319,575 S * 9/1991 Young D26/138
- D408,273 S * 4/1999 Senninger D8/356
- D455,643 S * 4/2002 Aubin D6/553
- D611,558 S * 3/2010 Freeman D22/108
- D632,516 S * 2/2011 Schulz D6/526
- D640,079 S * 6/2011 Kinard D6/534

1 Claim, 4 Drawing Sheets



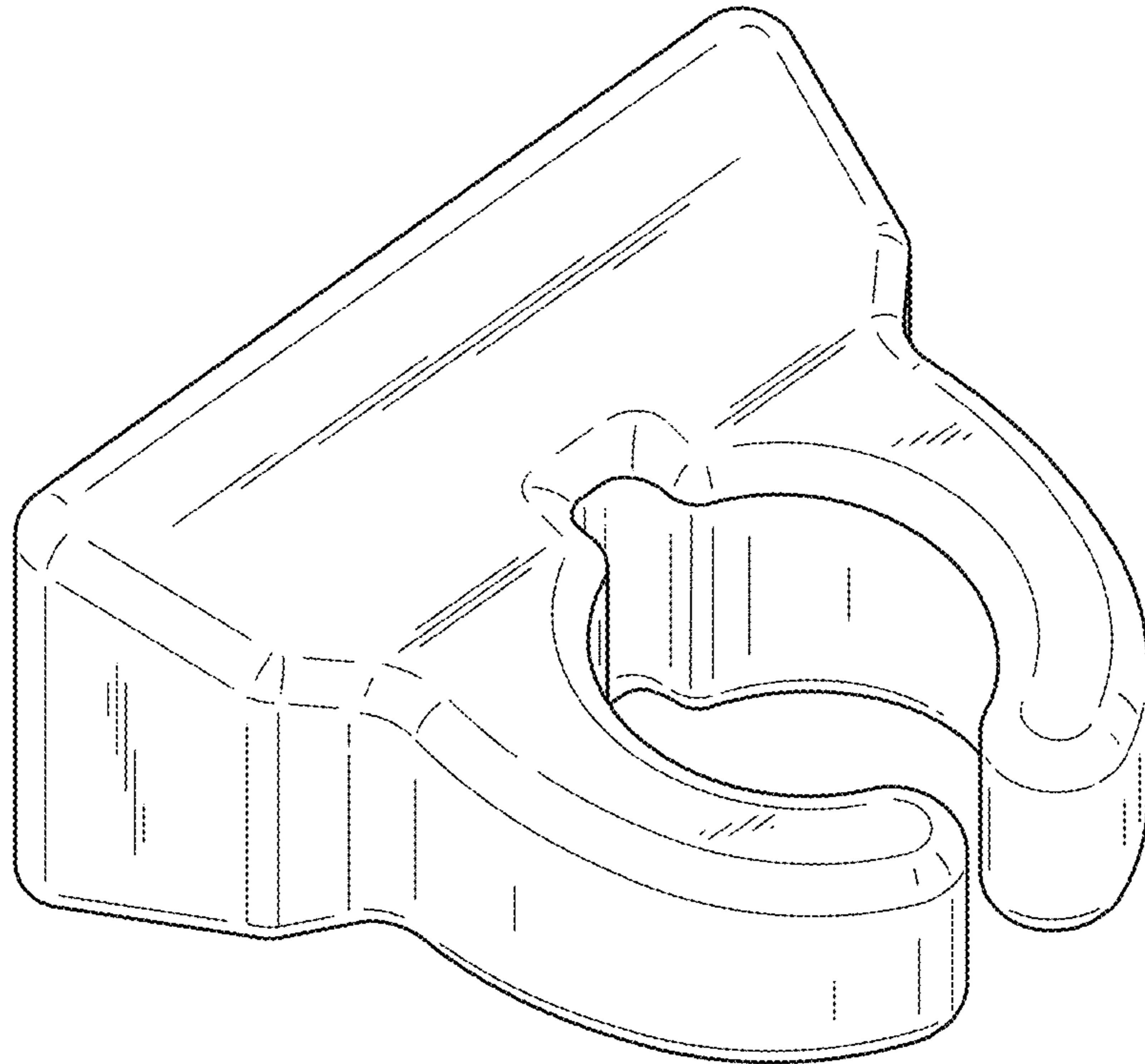


FIG. 1

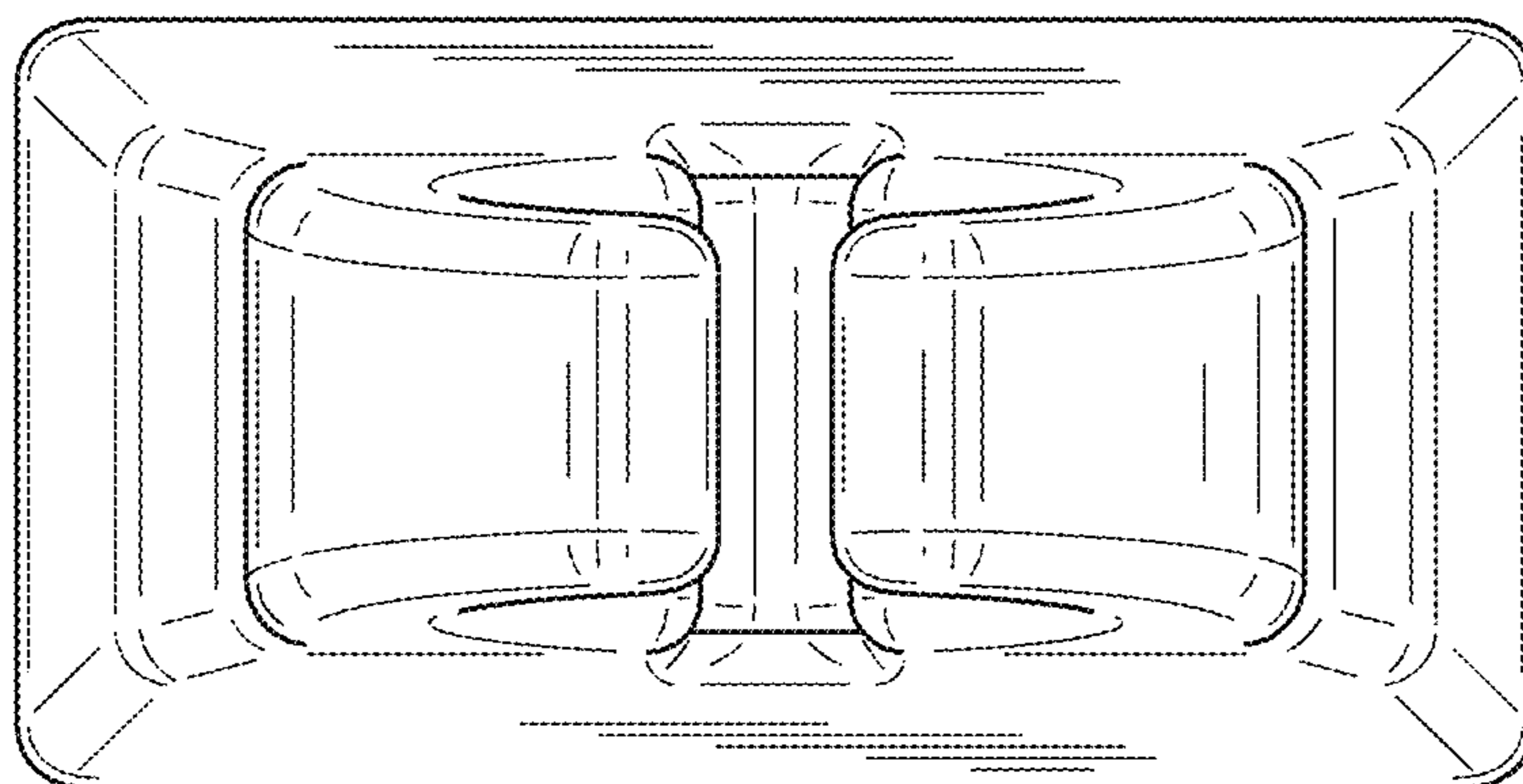


FIG. 2

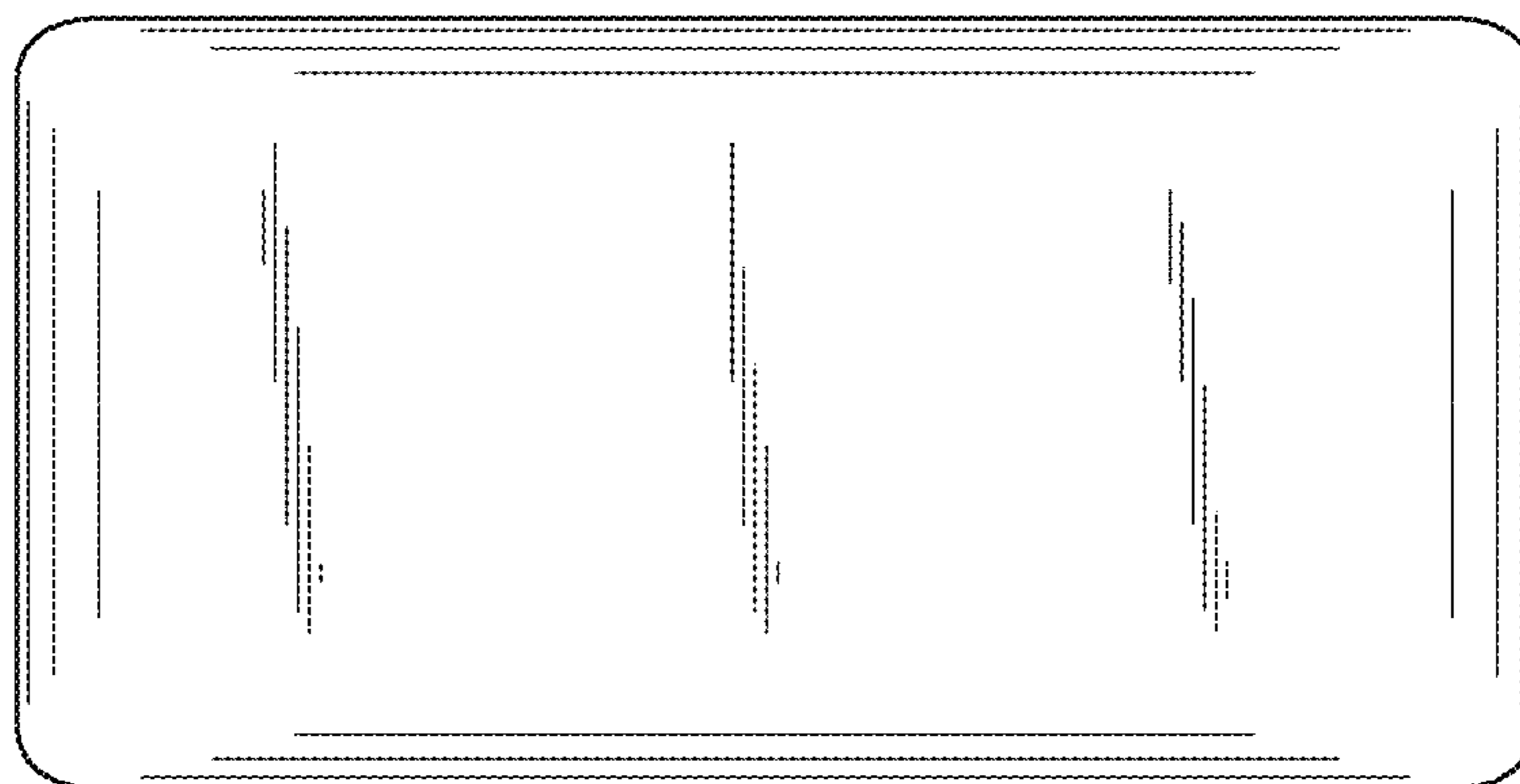


FIG. 3

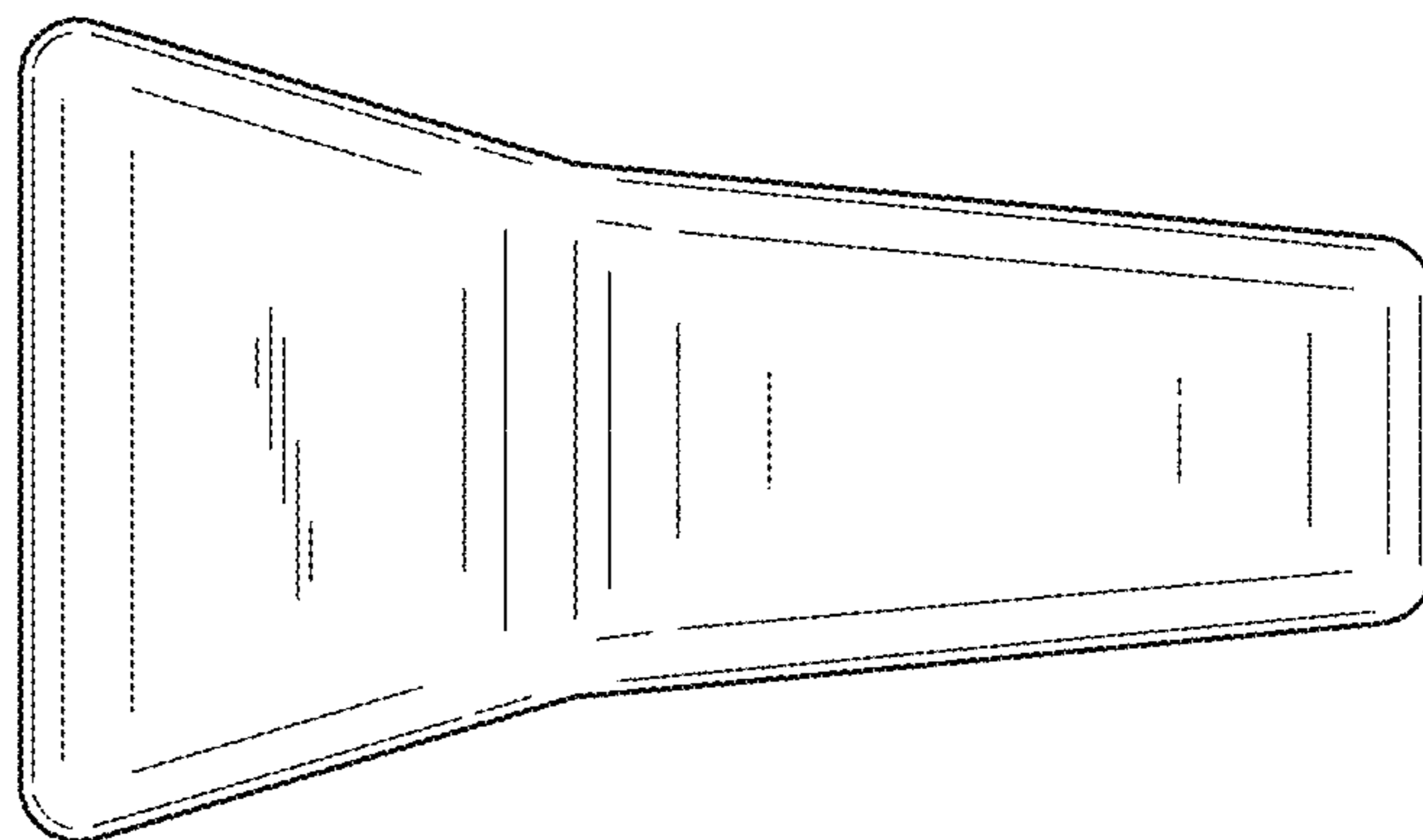


FIG. 4

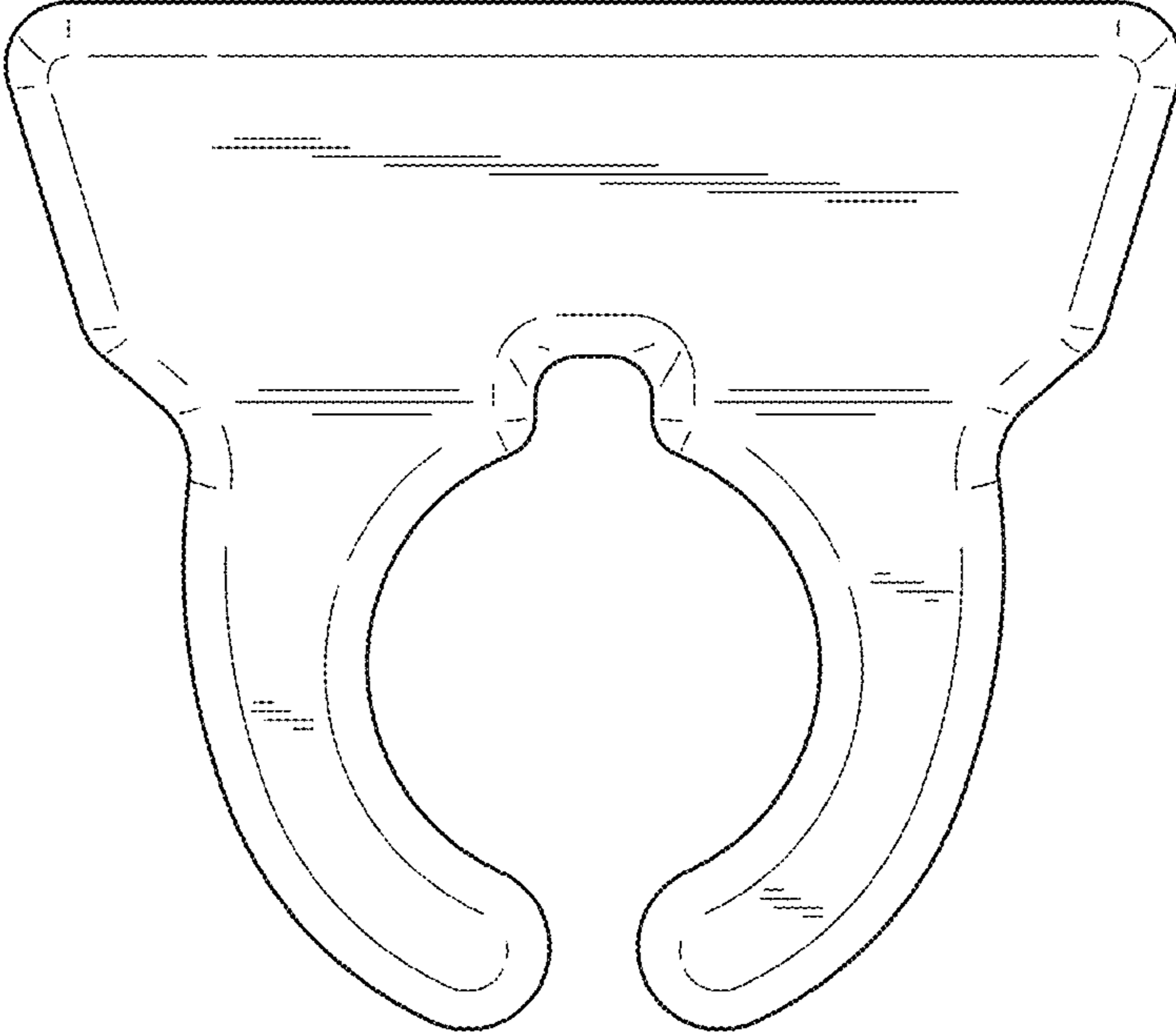


FIG. 5

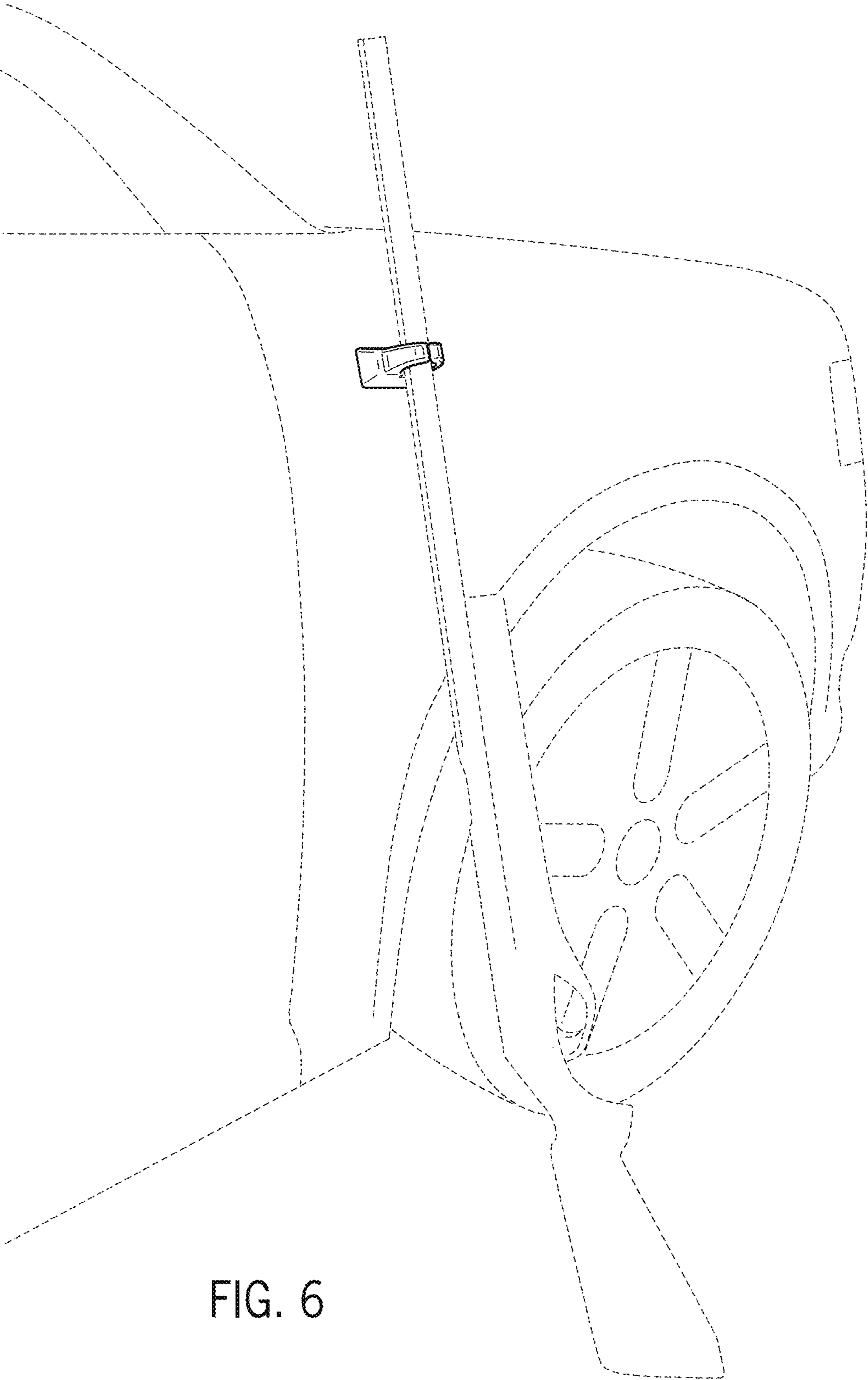


FIG. 6