



US00D812452S

(12) **United States Design Patent** (10) **Patent No.:** **US D812,452 S**
Matteo (45) **Date of Patent:** **** Mar. 13, 2018**

- (54) **BRACKET FOR LASER**
- (71) Applicant: **STANLEY BLACK & DECKER INC.**, New Britain, CT (US)
- (72) Inventor: **Michael T. Matteo**, West Hartford, CT (US)
- (73) Assignee: **Stanley Black & Decker Inc.**, New Britain, CT (US)
- (**) Term: **15 Years**
- (21) Appl. No.: **29/563,958**
- (22) Filed: **May 10, 2016**
- (51) **LOC (11) Cl.** **08-05**
- (52) **U.S. Cl.**
USPC **D8/354**
- (58) **Field of Classification Search**
USPC D8/349, 354; D16/242, 130, 136;
D10/46; 248/558, 205.1, 689, 911;
33/299, 290, 293
CPC G01C 15/004; G01C 15/02; G01C 15/006;
G01C 15/06; G01C 15/00; G01D 11/30
See application file for complete search history.

(56) **References Cited**

U.S. PATENT DOCUMENTS

2,755,053	A	7/1956	Sloane	
D302,697	S *	8/1989	Parrish	396/428
6,389,709	B1 *	5/2002	Lunde	G01C 5/00 33/292
D545,343	S *	6/2007	Braun	D16/242
7,448,138	B1	11/2008	Vanneman	
D663,190	S *	7/2012	Mota	D16/242
8,366,065	B2	2/2013	Kane, Jr. et al.	
8,511,635	B2	8/2013	Steffen	
8,618,822	B2 *	12/2013	Weissacher	G01D 11/30 324/750.16
8,668,182	B2	3/2014	Steffen et al.	
8,925,211	B2	1/2015	DuFour	

9,347,804	B2 *	5/2016	Weissacher	G01D 11/30
2002/0078578	A1 *	6/2002	Allen	G01C 15/002 33/286
2002/0083606	A1 *	7/2002	Monteil	E01C 23/01 33/521
2002/0162233	A1 *	11/2002	El-Katcha	G01C 15/004 33/293
2005/0172502	A1 *	8/2005	Sergyeyenko	G01C 15/004 33/286
2008/0043409	A1 *	2/2008	Kallabis	F16P 1/02 361/824
2010/0187392	A1 *	7/2010	Berger	G01F 15/18 248/231.41
2010/0276554	A1 *	11/2010	Steffen	G01D 11/30 248/206.5
2010/0276555	A1 *	11/2010	Steffen	G01D 11/30 248/206.5
2011/0057674	A1 *	3/2011	Weissacher	G01R 31/2891 324/750.16

(Continued)

FOREIGN PATENT DOCUMENTS

FR 2945115 1/2010

Primary Examiner — Mark Goodwin

(74) *Attorney, Agent, or Firm* — Stephen R. Valancius

(57) **CLAIM**

The ornamental design for a bracket for laser, as shown and described.

DESCRIPTION

FIG. 1 is a perspective view of a bracket for laser showing my new design.

FIG. 2 is a front view thereof.

FIG. 3 is a rear view thereof.

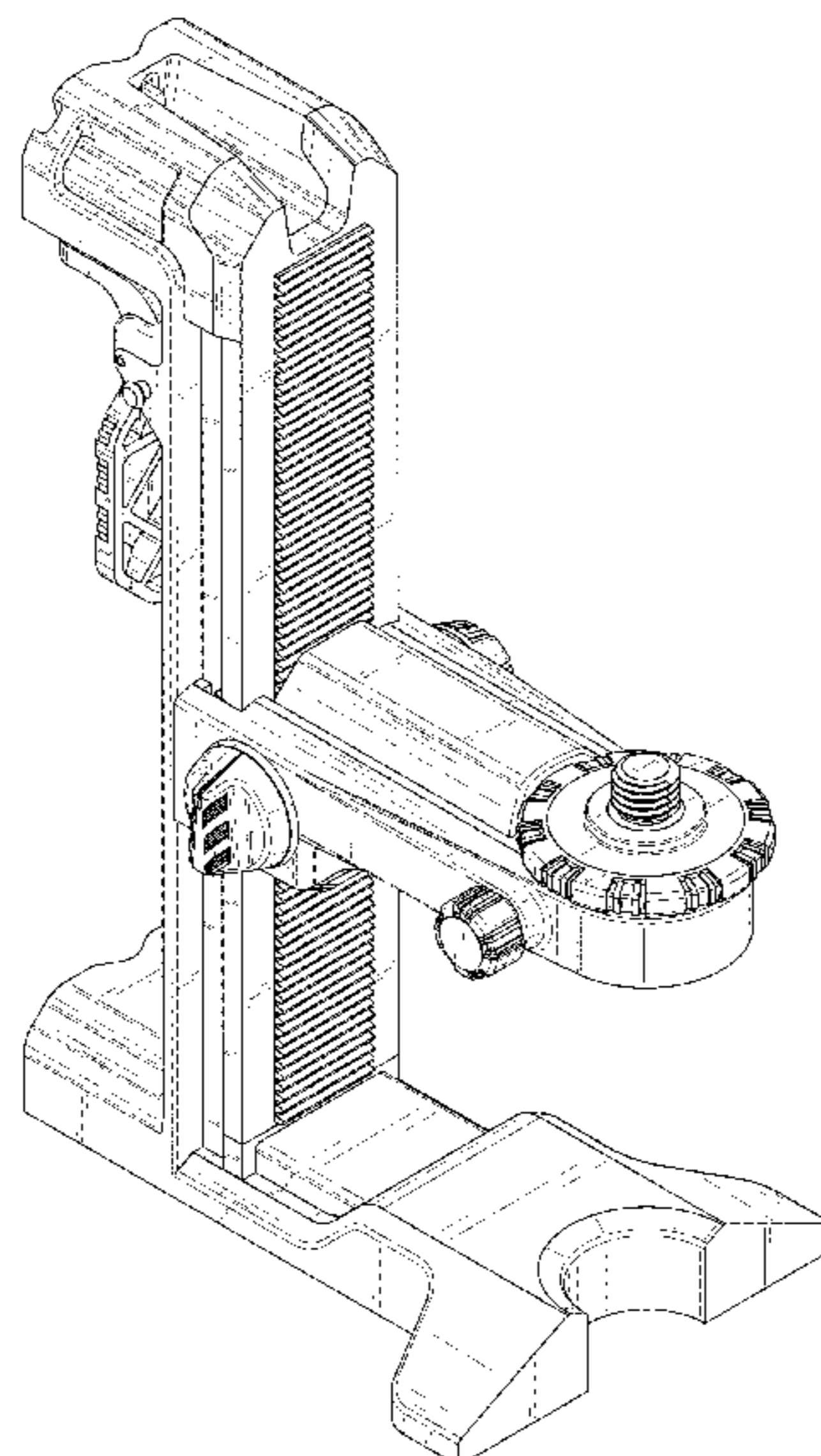
FIG. 4 is a left side view thereof.

FIG. 5 is a right side view thereof.

FIG. 6 is a top view thereof; and,

FIG. 7 is a bottom view thereof.

1 Claim, 7 Drawing Sheets



(56)

References Cited

U.S. PATENT DOCUMENTS

2015/0160537 A1 6/2015 Bier et al.
2015/0309395 A1 10/2015 Tomasewski

* cited by examiner

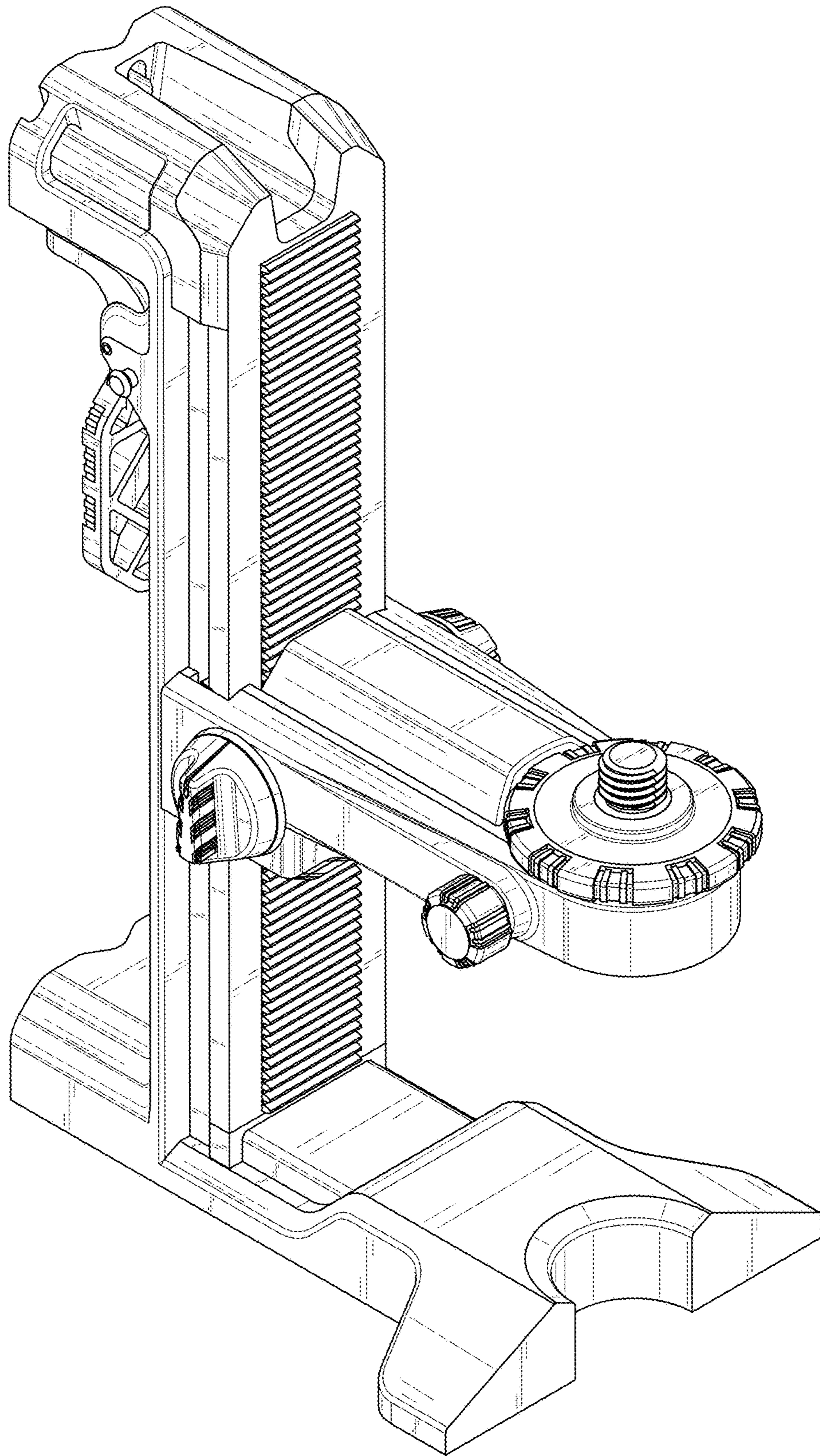


FIG. 1

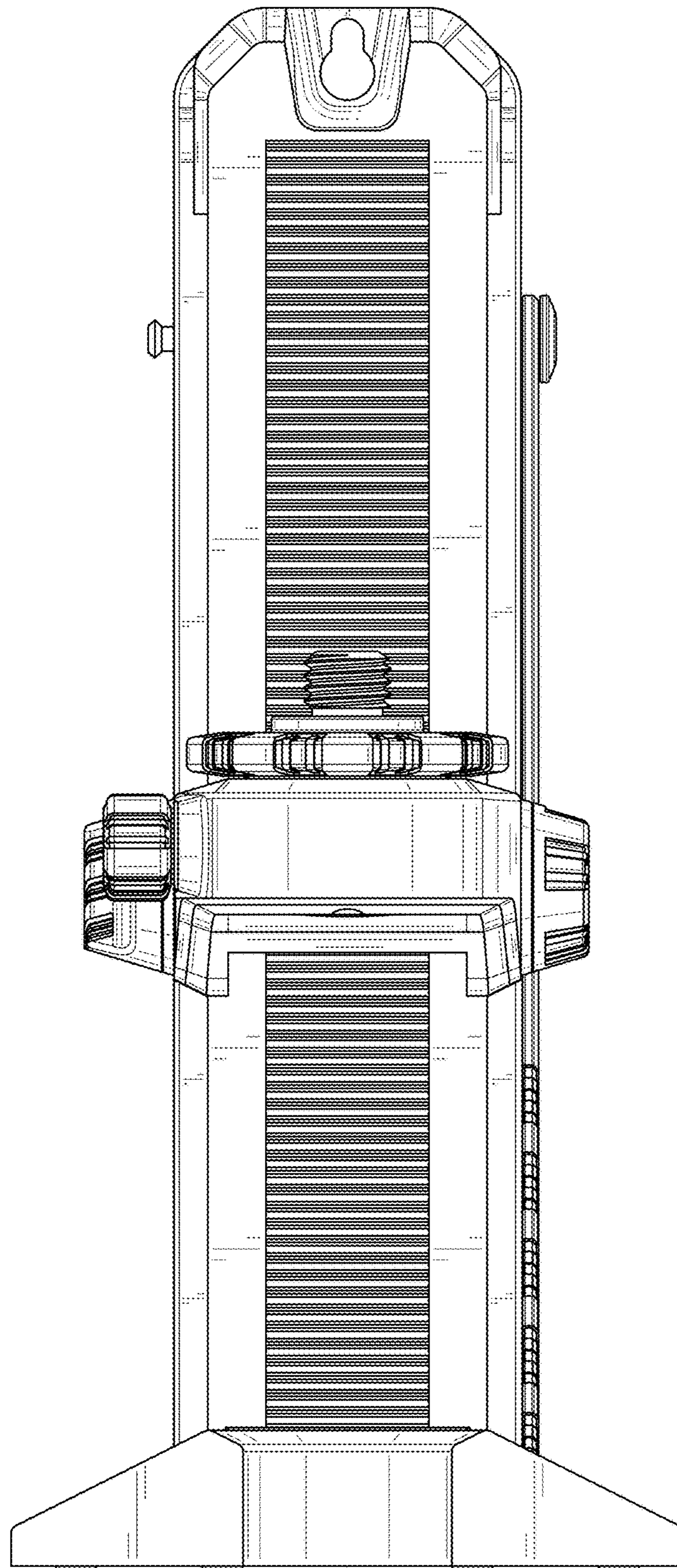


FIG. 2

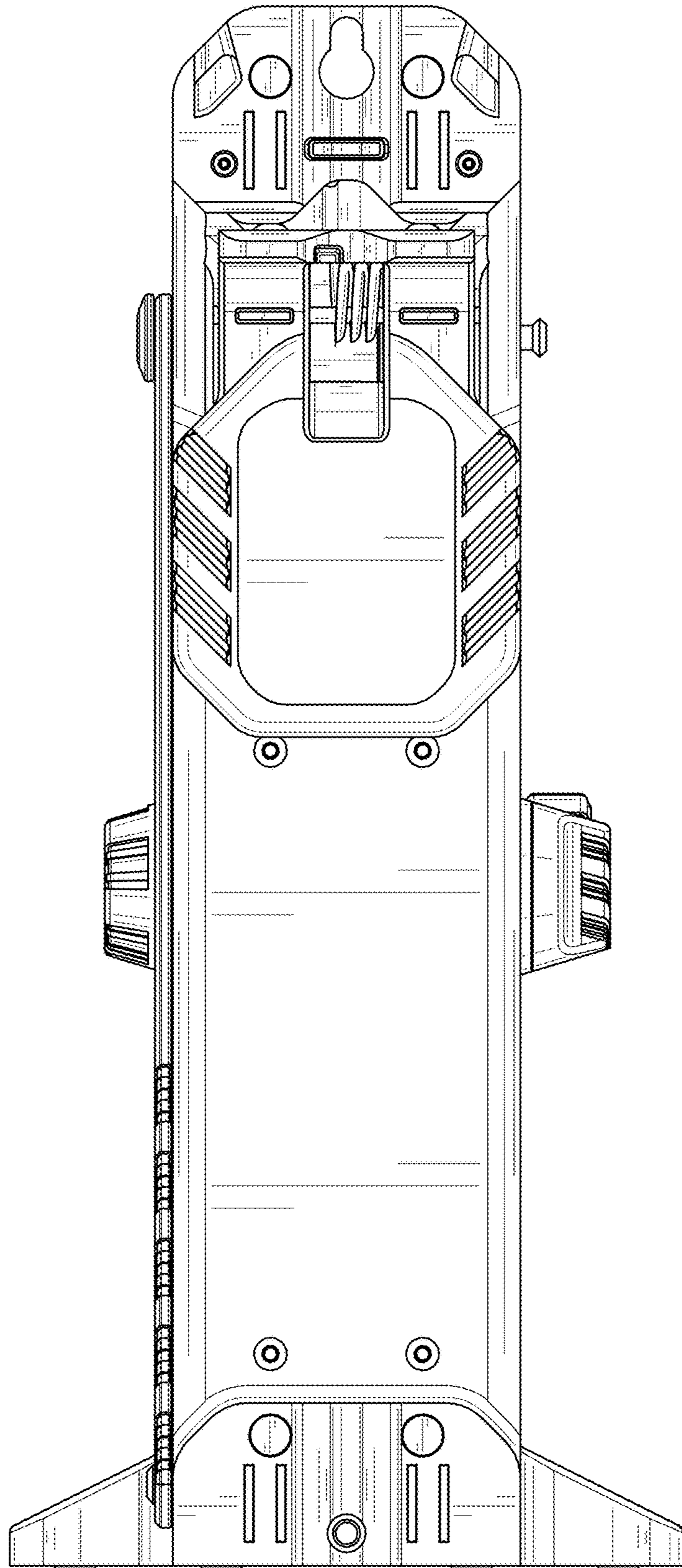


FIG. 3

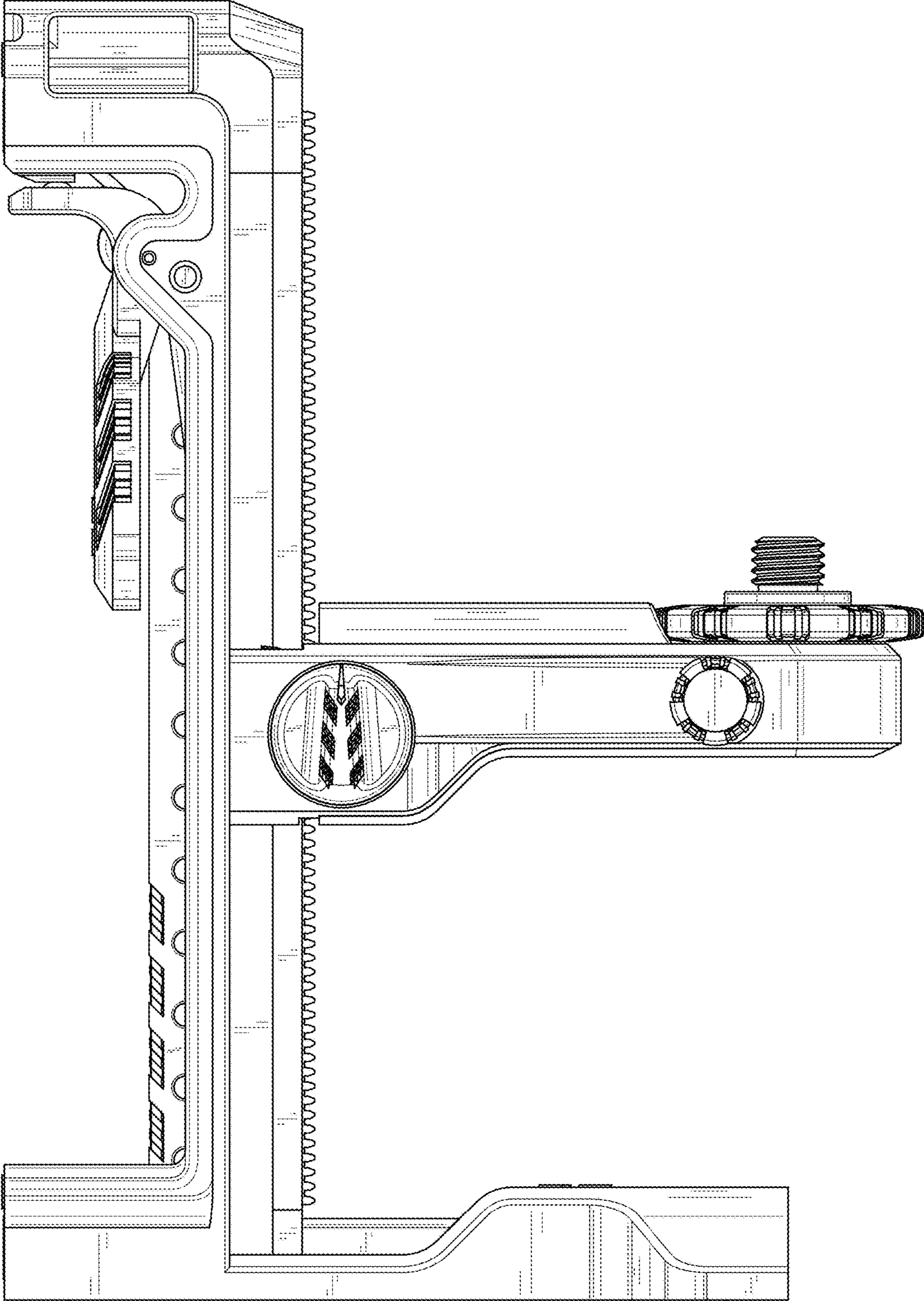


FIG. 4

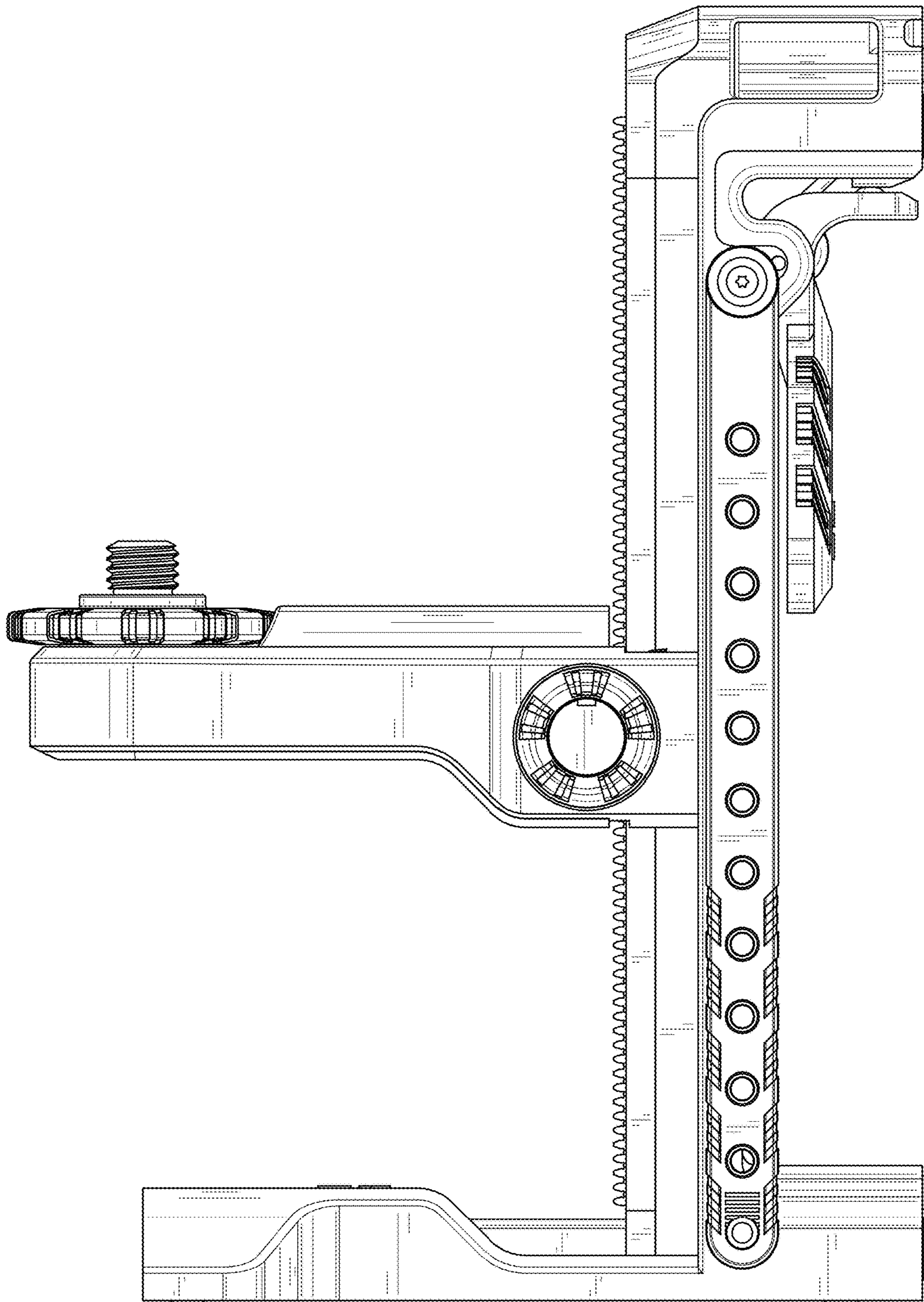


FIG. 5

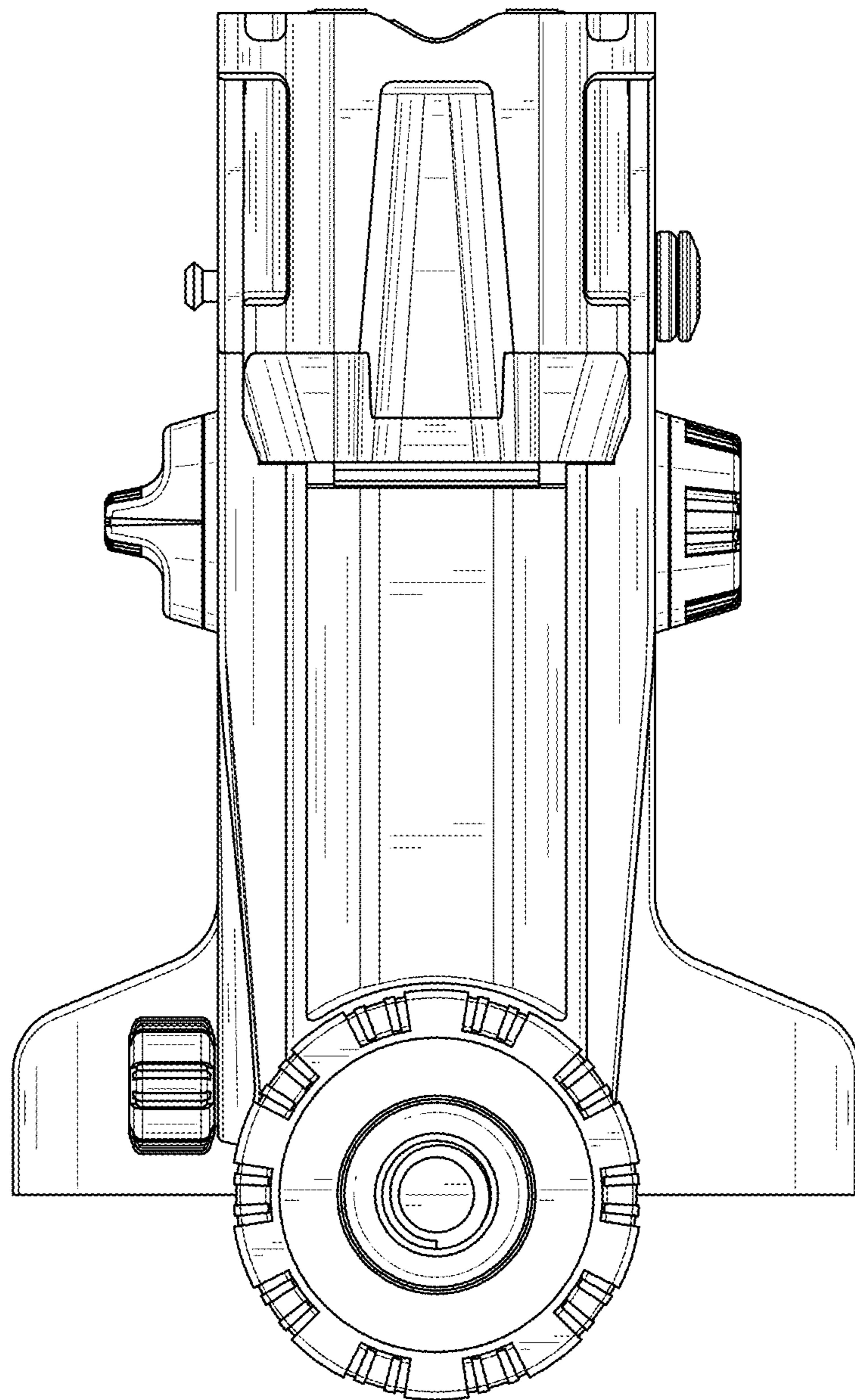


FIG. 6

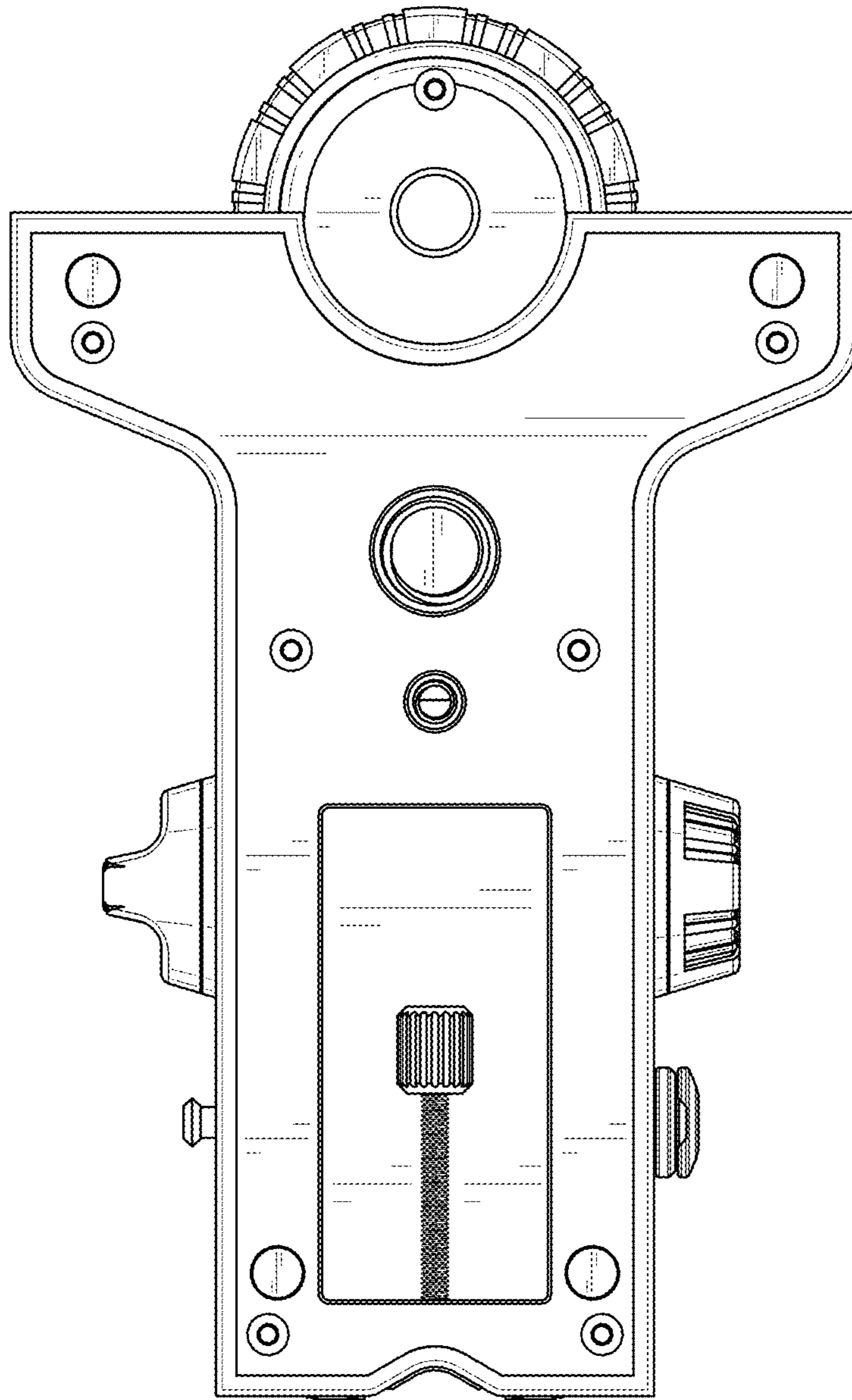


FIG. 7