



US00D812450S

(12) **United States Design Patent**
Cornelius

(10) **Patent No.:** **US D812,450 S**
(45) **Date of Patent:** **** Mar. 13, 2018**

- (54) **FLAG MOUNTING BRACKET**
- (71) Applicant: **Christopher Cornelius**, Palm Harbor, FL (US)
- (72) Inventor: **Christopher Cornelius**, Palm Harbor, FL (US)
- (**) Term: **15 Years**
- (21) Appl. No.: **29/583,378**
- (22) Filed: **Nov. 4, 2016**
- (51) **LOC (11) Cl.** **08-08**
- (52) **U.S. Cl.**
USPC **D8/349**
- (58) **Field of Classification Search**
USPC D8/349, 354, 373, 380, 394
CPC G09F 17/00; G09F 2017/005; G09F 2017/0058
See application file for complete search history.

- D493,746 S * 8/2004 Henson D11/182
- 6,935,268 B1 * 8/2005 Hawkins H01Q 1/1228
116/173
- D566,618 S * 4/2008 James D11/182
- D578,057 S * 10/2008 Frenock D11/182
- D640,166 S * 6/2011 Bigbee D11/182
- 9,721,488 B2 * 8/2017 Cornelius G09F 17/00

* cited by examiner

Primary Examiner — Mark Goodwin
(74) *Attorney, Agent, or Firm* — Shumaker, Loop & Kendrick, LLP

(56) **References Cited**

U.S. PATENT DOCUMENTS

- 2,546,855 A * 3/1951 Frame B60R 13/00
116/173
- 4,986,209 A * 1/1991 Spica B60Q 1/268
116/173
- D416,517 S * 11/1999 Goldfarb D11/182
- 6,206,258 B1 * 3/2001 Calder B62J 11/00
224/251
- D475,677 S * 6/2003 Zucker D12/223

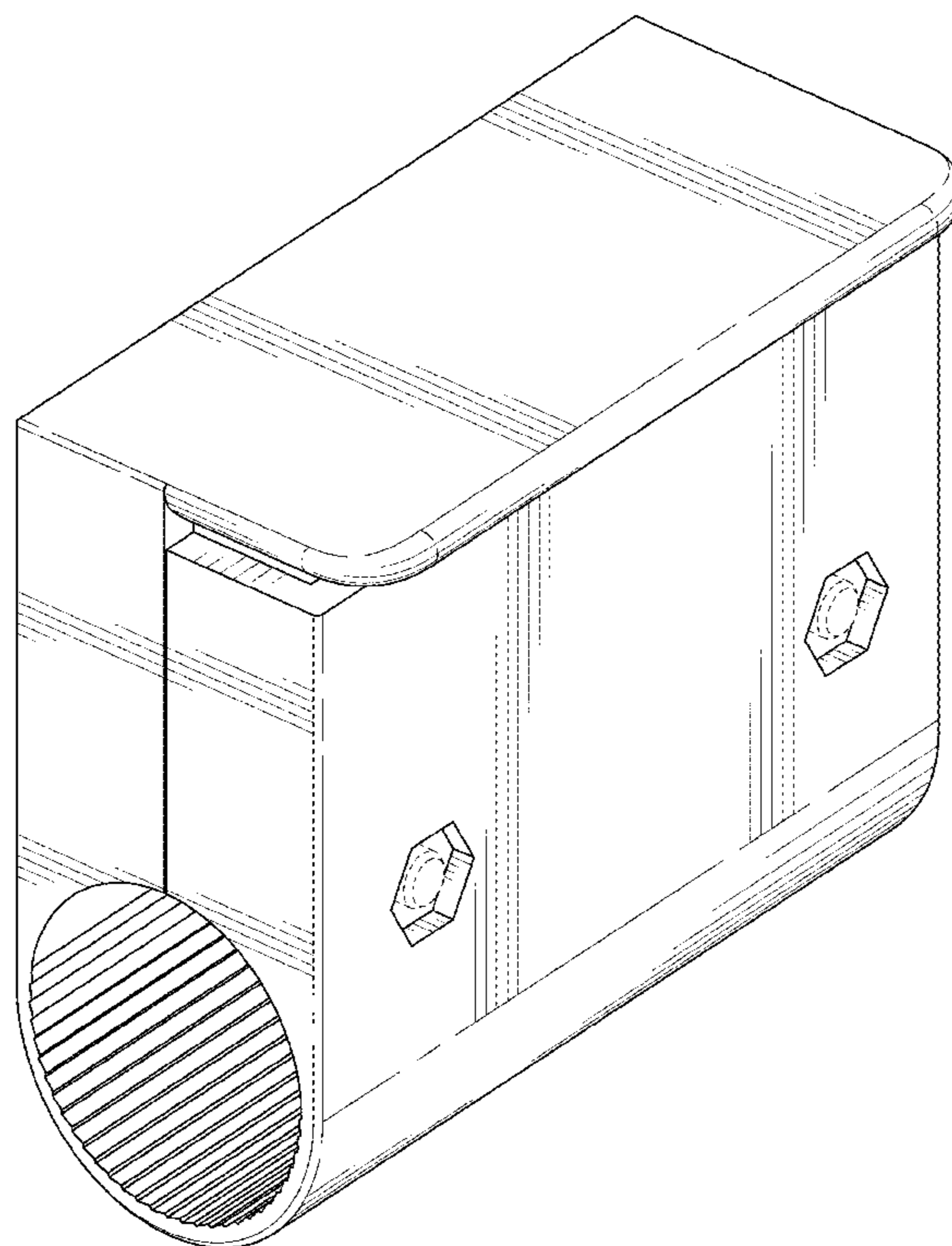
(57) **CLAIM**

The ornamental design for a flag mounting bracket, as shown and described.

DESCRIPTION

FIG. 1 is a front perspective view of the new design for a flag mounting bracket;
FIG. 2 is a front view thereof;
FIG. 3 is a back view thereof;
FIG. 4 is a left side view thereof;
FIG. 5 is a right side view thereof;
FIG. 6 is a top view thereof; and,
FIG. 7 is a bottom view thereof.
Portions of the flag mounting bracket shown in broken lines form no part of the claimed design.

1 Claim, 7 Drawing Sheets



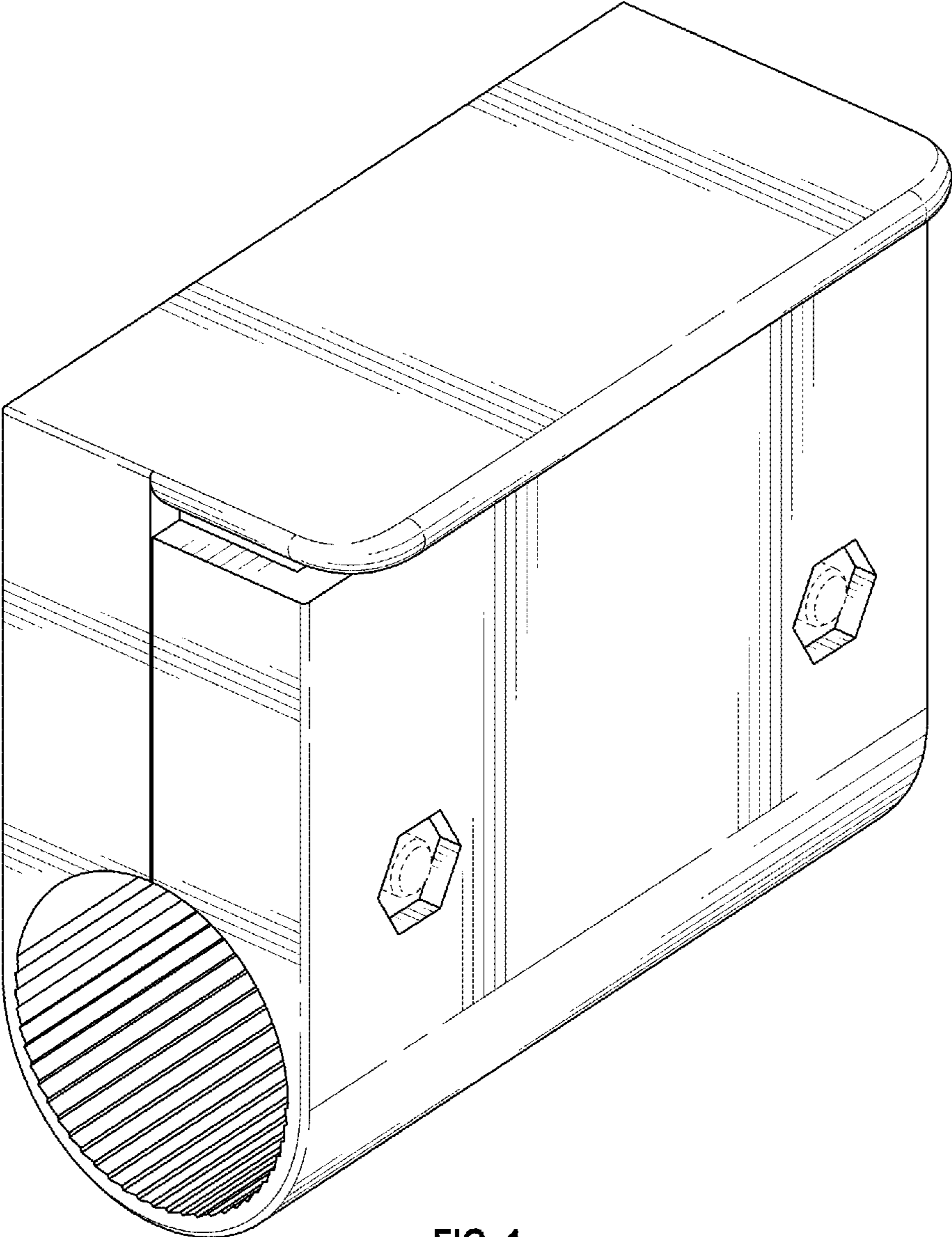


FIG. 1

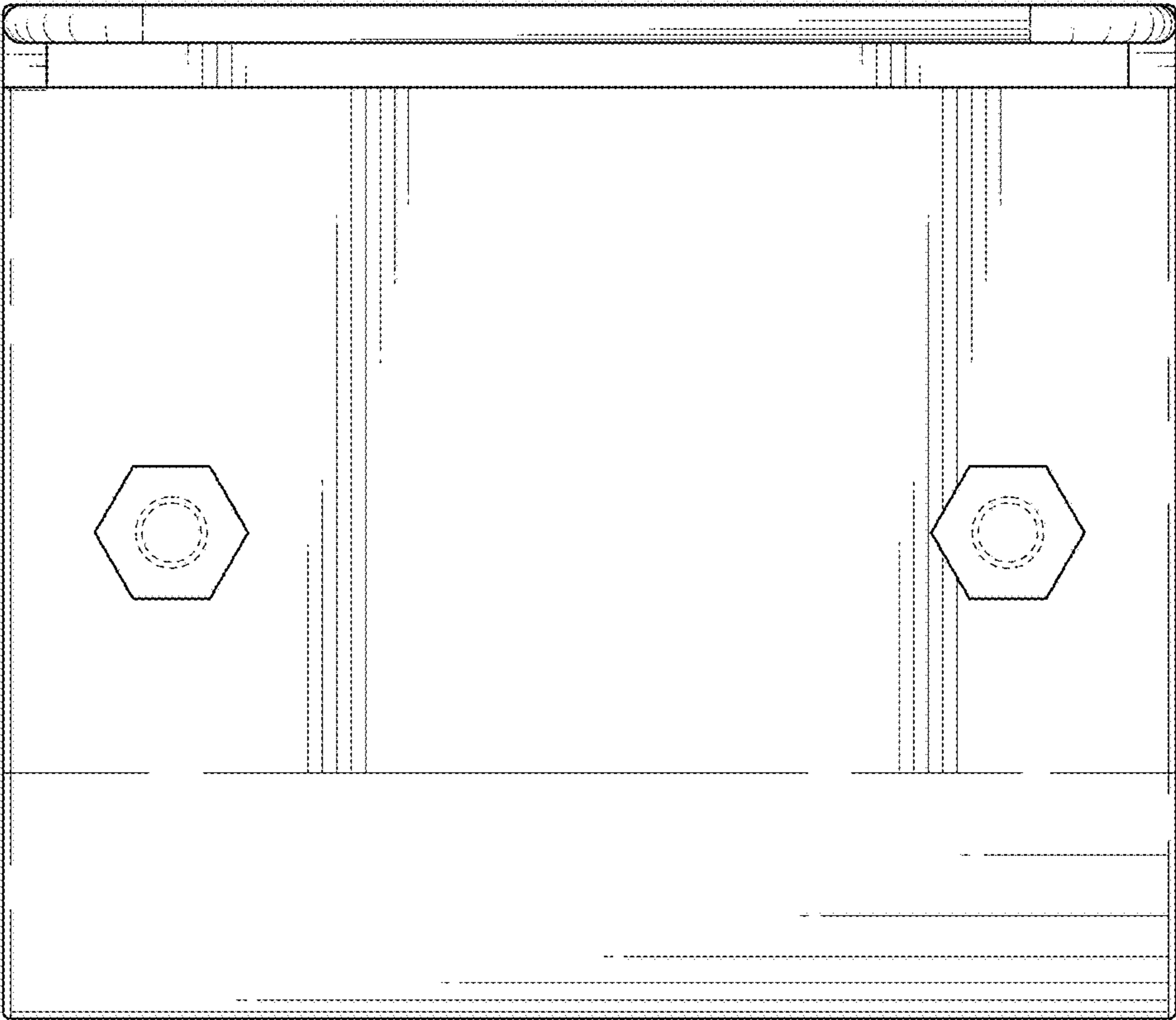


FIG. 2

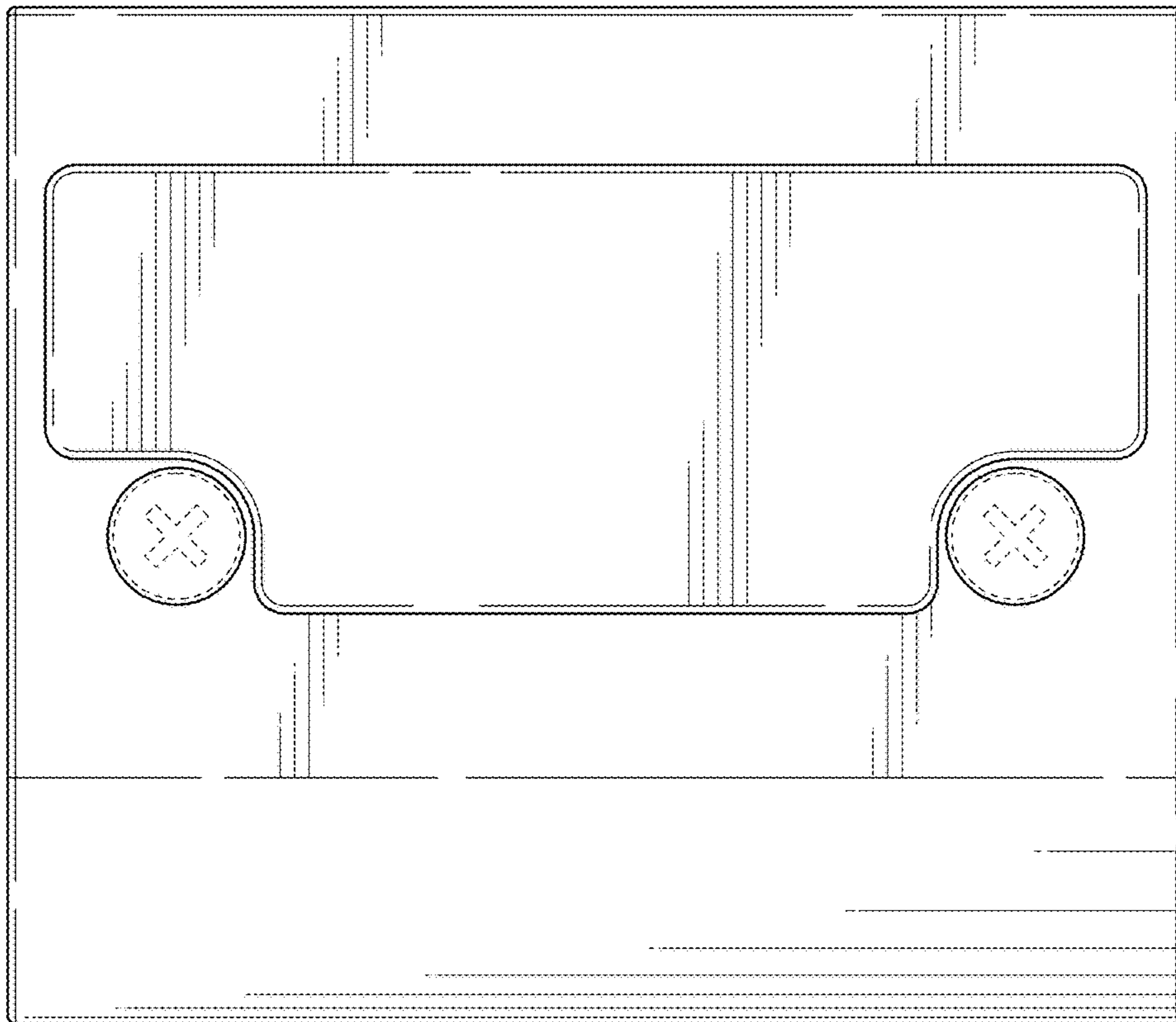


FIG. 3

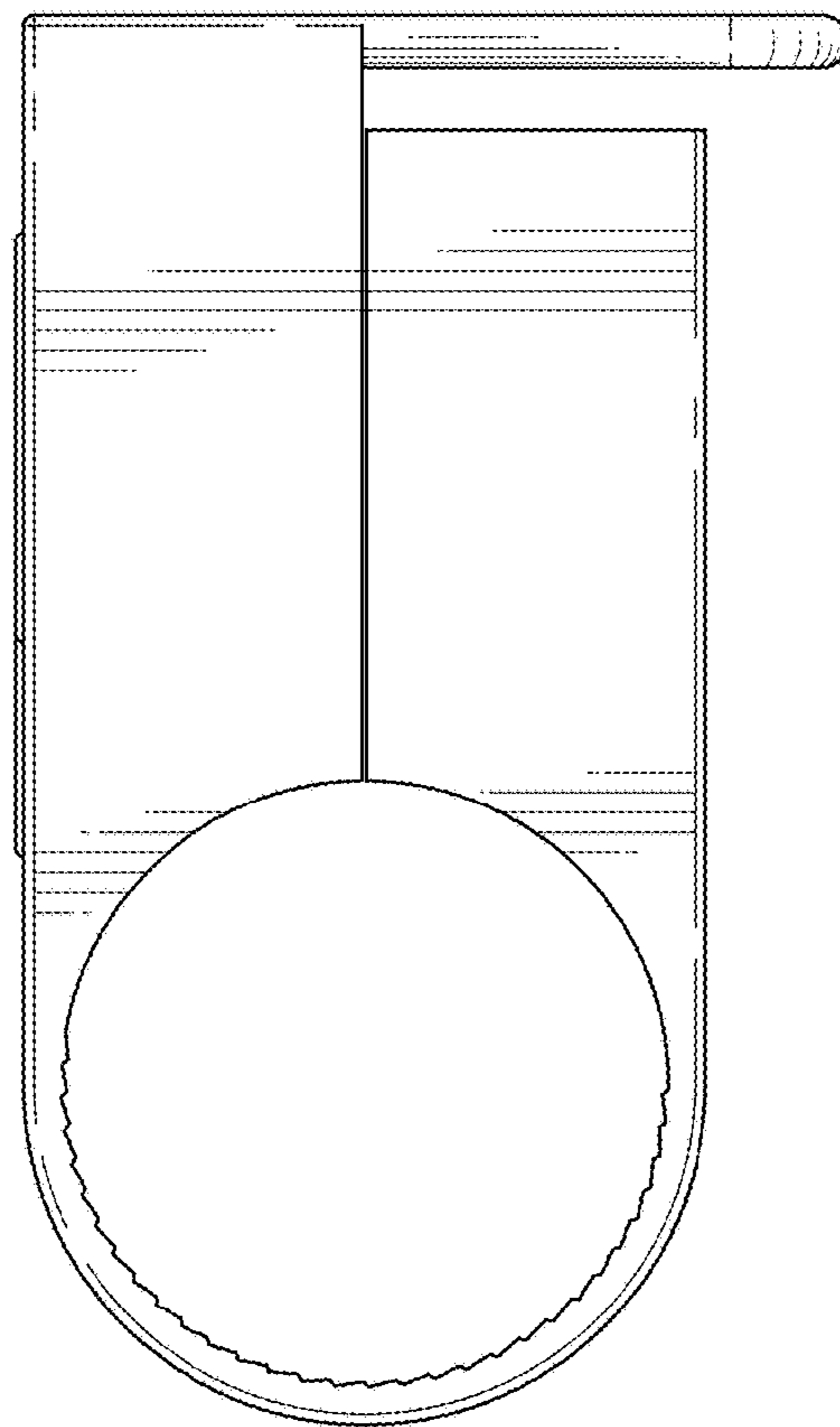


FIG. 4

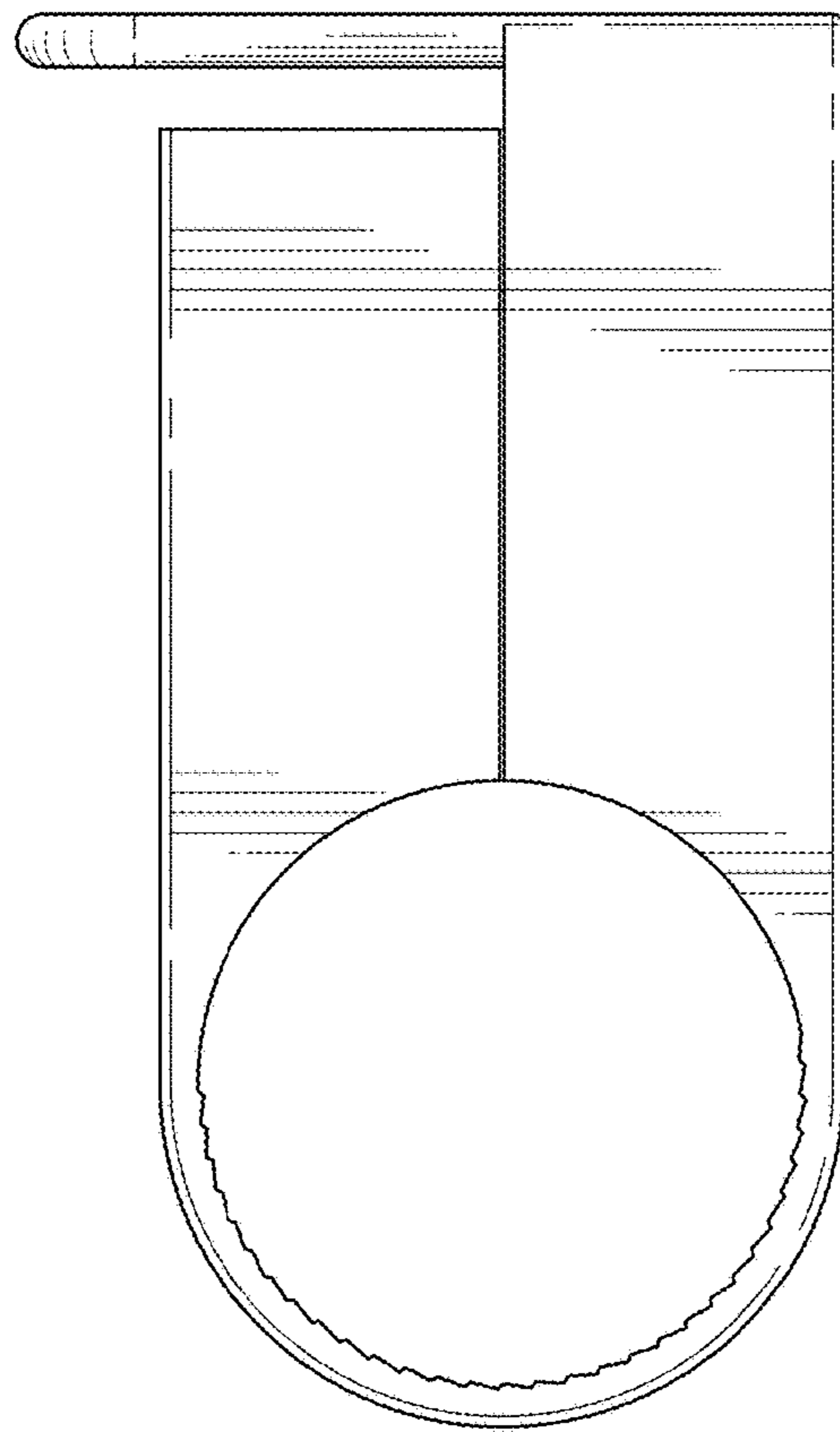


FIG. 5

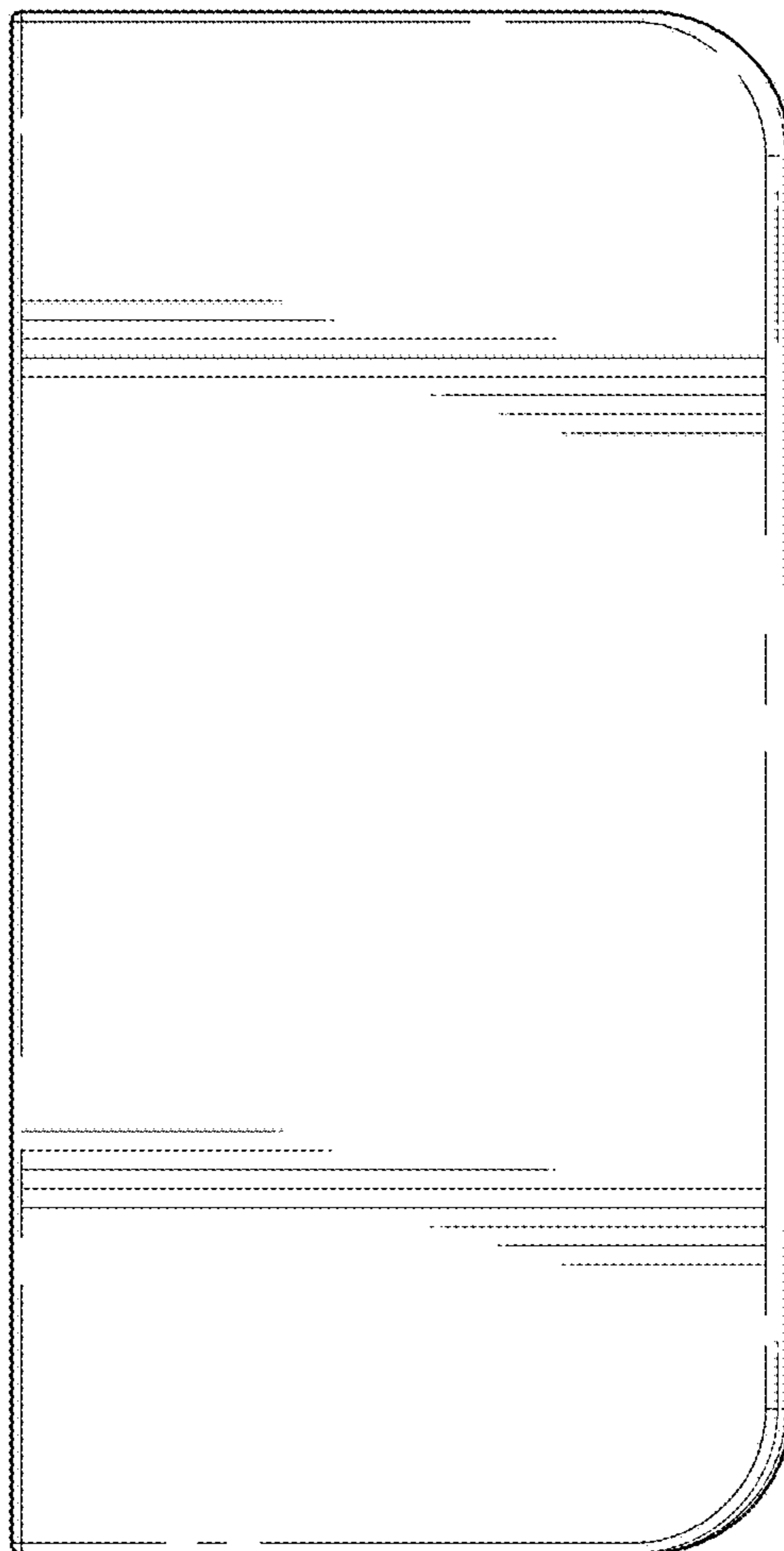


FIG. 6

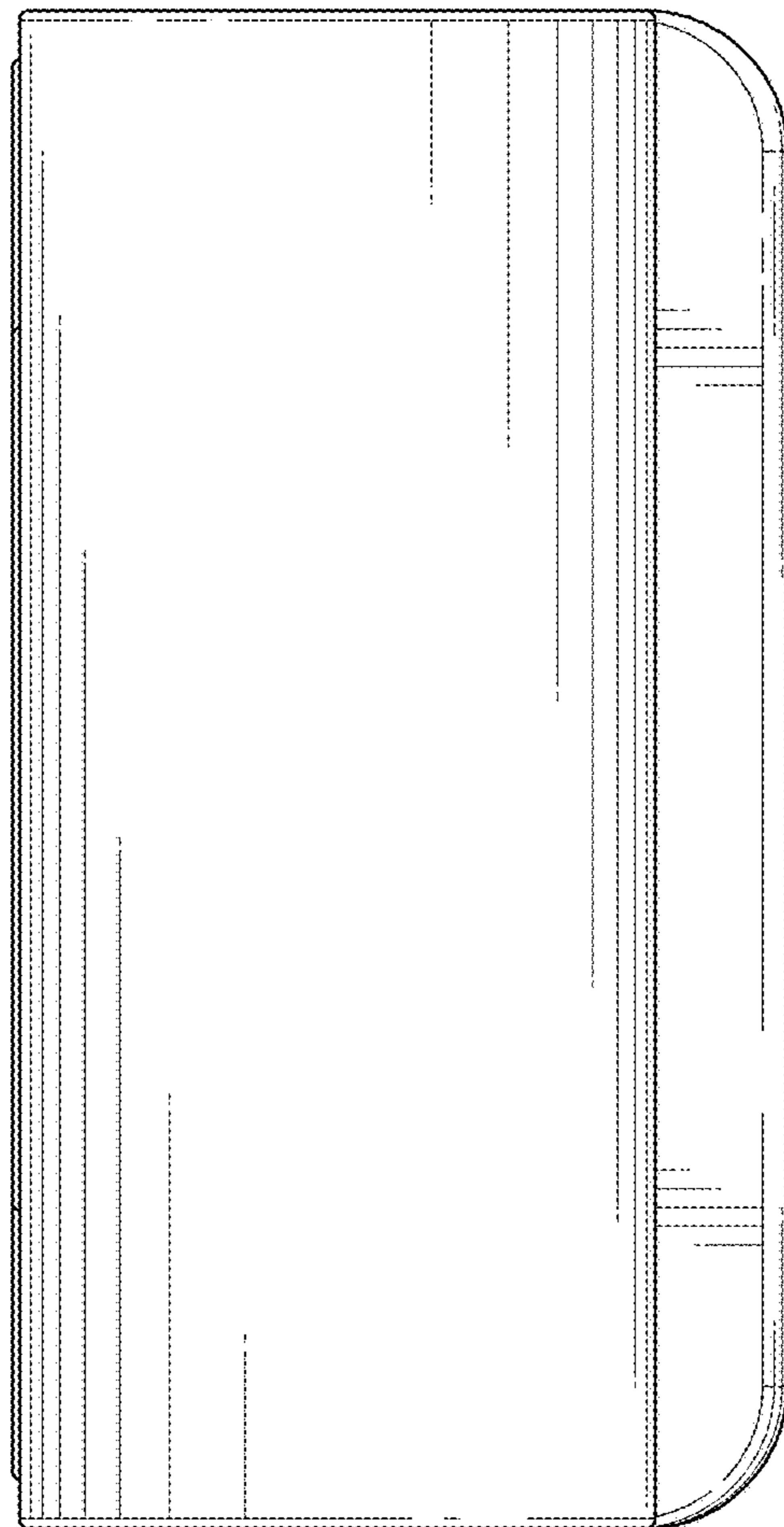


FIG. 7