



US00D812448S

(12) **United States Design Patent**
Schneider

(10) **Patent No.:** **US D812,448 S**
(45) **Date of Patent:** **** Mar. 13, 2018**

(54) **DEADBOLT FOR A DOOR**

- (71) Applicant: **Spectrum Brands, Inc.**, Middleton, WI (US)
- (72) Inventor: **Elliott Schneider**, Foothill Ranch, CA (US)
- (73) Assignee: **Spectrum Brands, Inc.**, Middleton, WI (US)

(**) Term: **15 Years**

(21) Appl. No.: **29/589,821**

(22) Filed: **Jan. 4, 2017**

(51) **LOC (11) Cl.** **08-07**

(52) **U.S. Cl.**
USPC **D8/331**

(58) **Field of Classification Search**
USPC D8/330, 331, 334, 300, 301, 350; 70/14,
70/20-22, 57, 57.1, 284-286, 314,
70/DIG. 44, 266, 277, 271
CPC E05B 9/00; E05B 9/02; E05B 2009/006;
E05B 49/00
See application file for complete search history.

(56) **References Cited**

U.S. PATENT DOCUMENTS

4,126,341	A *	11/1978	Bradstock	E05B 47/0012 292/201
D365,976	S *	1/1996	Chiu	D8/301
D513,469	S *	1/2006	Gao	D8/350
7,091,429	B2 *	8/2006	Case	E05B 15/02 200/314
7,210,421	B1 *	5/2007	Pendergraph	B63B 43/24 114/78
D552,964	S *	10/2007	Bogdanov	D8/343
D638,276	S *	5/2011	Tonizzo	D8/331
7,990,280	B2 *	8/2011	Gray	G08B 13/08 340/540
8,331,544	B2 *	12/2012	Kraus	G07C 9/00944 340/5.7
D682,658	S *	5/2013	Cramer	D8/331
D790,950	S *	7/2017	Kraus	D8/330
D795,041	S *	8/2017	Oliva Camacho	D8/331

OTHER PUBLICATIONS

“Kevo Convert Smart Lock”; Kwikset; disclosure date unknown but prior to filing date of present application; <URL: <http://www.kwikset.com/products/details/electronic-locks/925-kevo-convert-15.aspx#>>.

“Schlage CO-100-CY-70-KP-ATH-626 Electronic Lock”; American Locksets; disclosure date unknown but prior to filing date of present application; <URL: <https://www.americanlocksets.com/schlage-co100cy70cy70kpath626-electronic-lock-athens-lever-satin-chrome-p-5211.html>>.

“Yale Real Living Key Free Deadbolt (YRD240)”; Yale; disclosure date unknown but prior to filing date of present application; <URL: <http://www.yalehome.com/en/yale/yalehome/residential/yale-real-living/key-free-deadbolt/>>.

* cited by examiner

Primary Examiner — Prabhakar Deshmukh
(74) *Attorney, Agent, or Firm* — Banner & Witcoff, Ltd.

(57) **CLAIM**

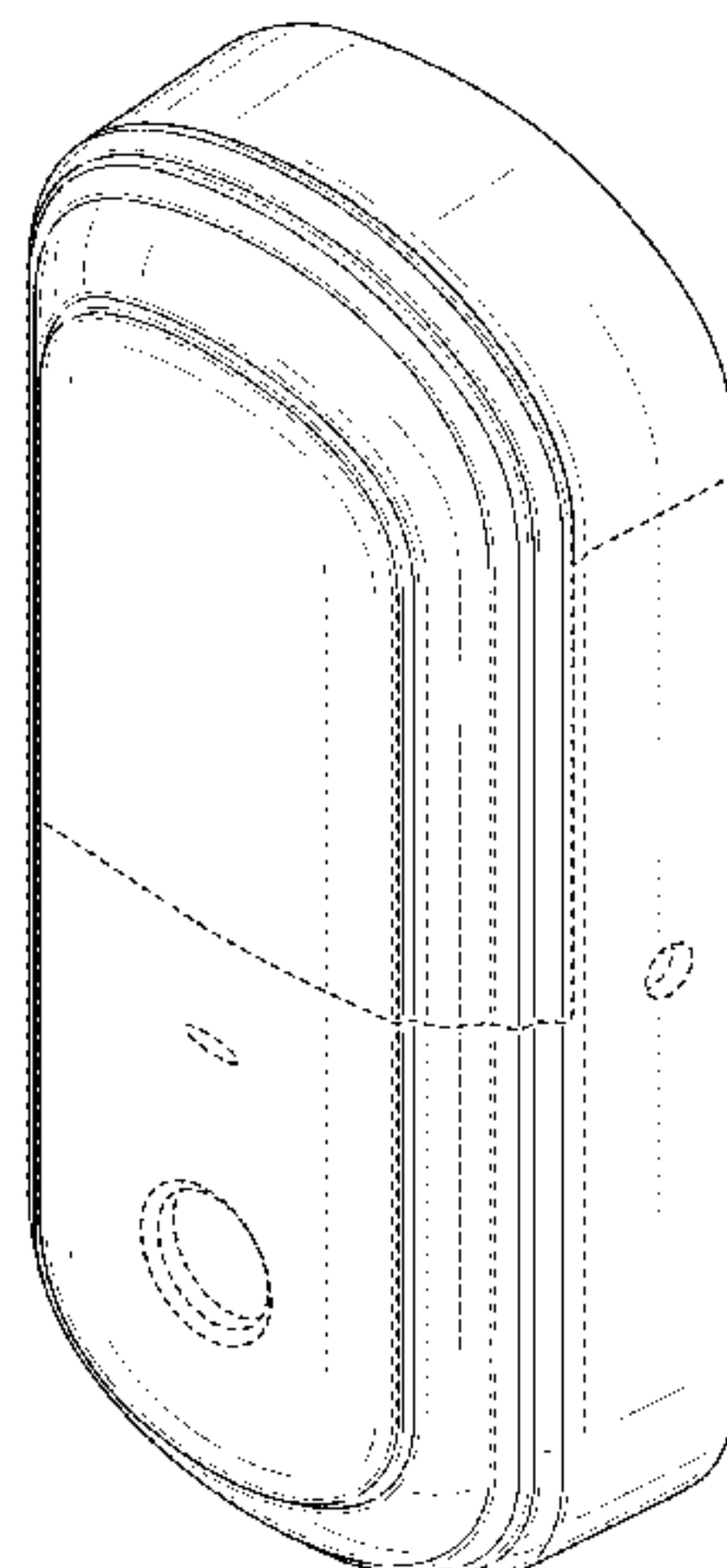
The ornamental design for a deadbolt for a door, as shown and described.

DESCRIPTION

FIG. 1 is a front perspective view of a deadbolt for a door showing my new design;
 FIG. 2 is a front view thereof;
 FIG. 3 is a right side view thereof;
 FIG. 4 is a left side view thereof;
 FIG. 5 is top view thereof; and,
 FIG. 6 is a bottom view thereof.

The broken line showing a material parting seam forms no part of the claimed design. The broken line showing of various regions and the unshaded areas therein, represents unclaimed subject matter and forms no part of the claimed design.

1 Claim, 6 Drawing Sheets



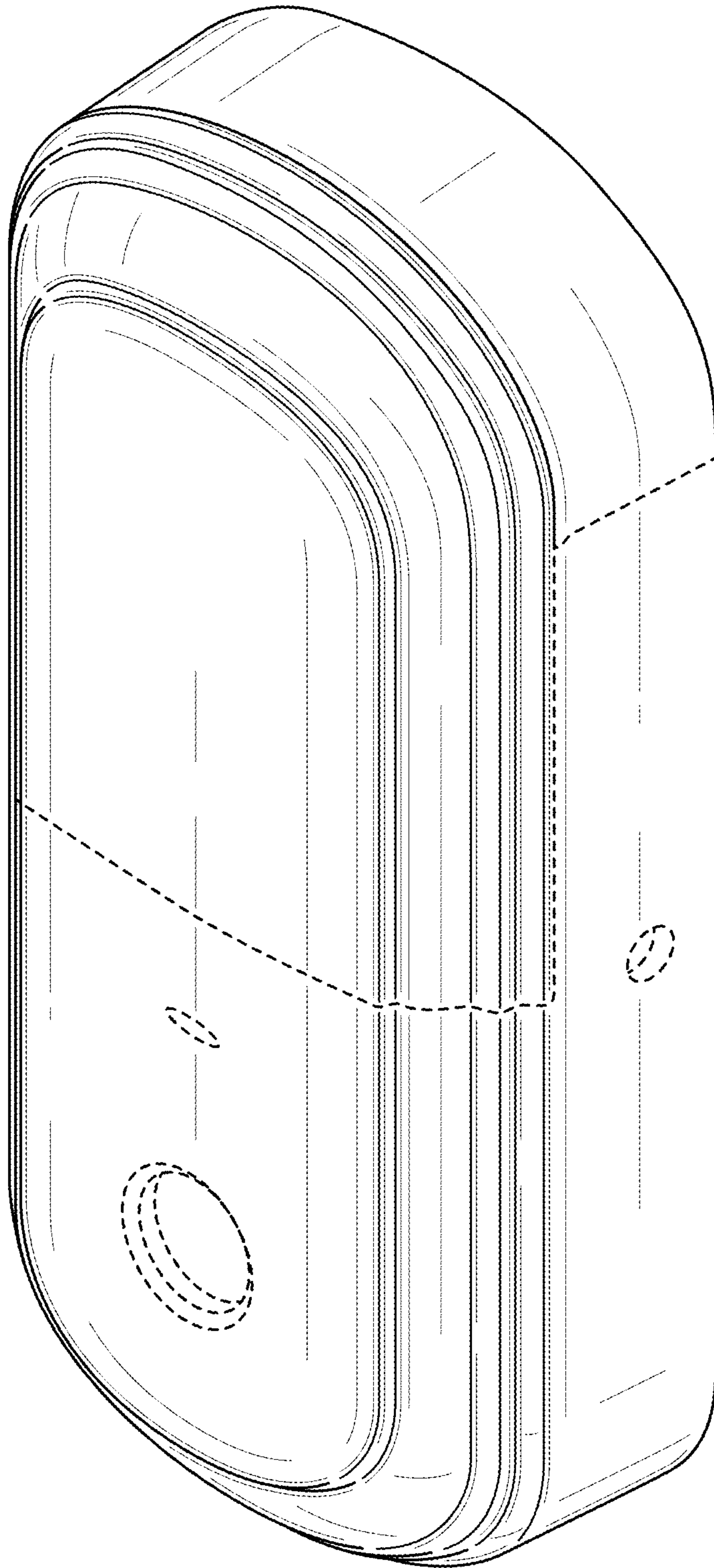


FIG. 1

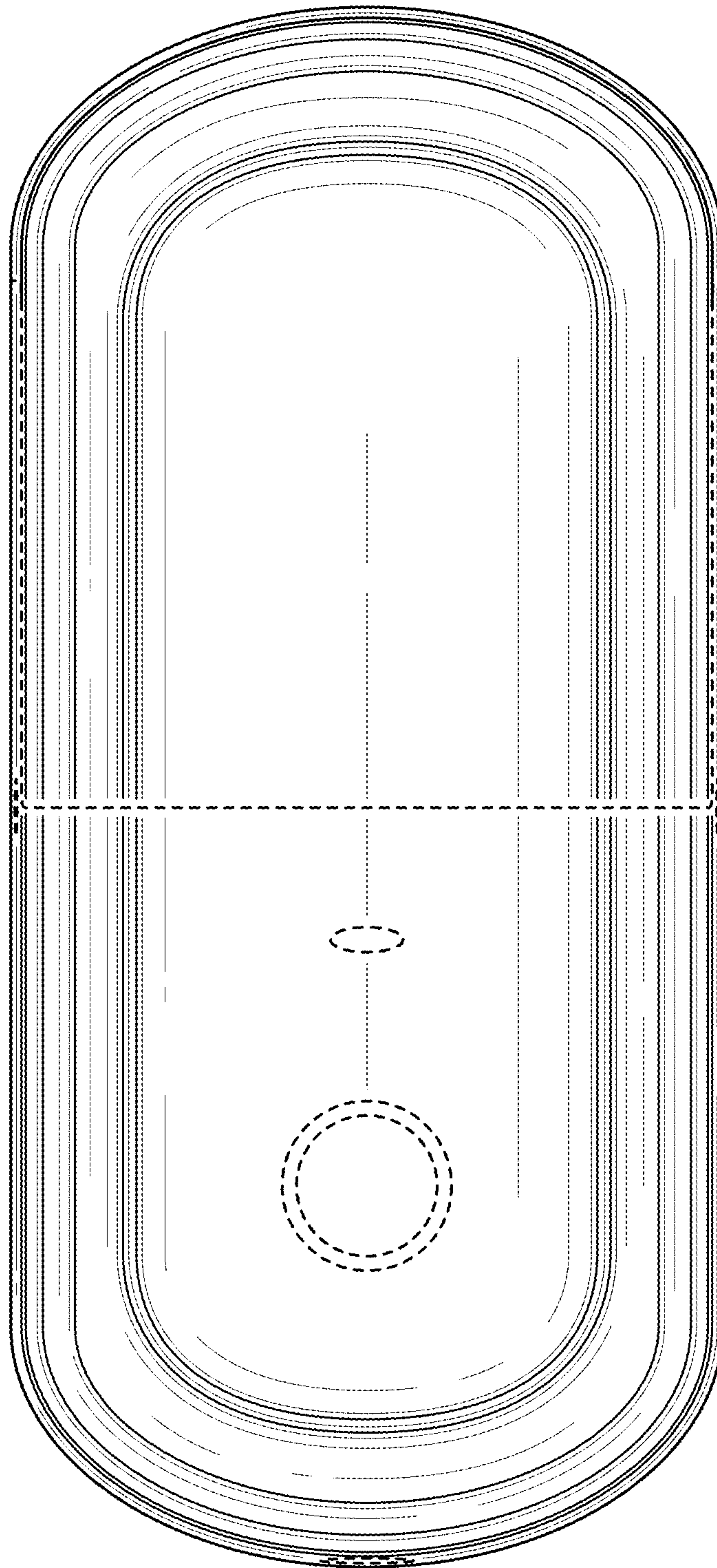


FIG. 2

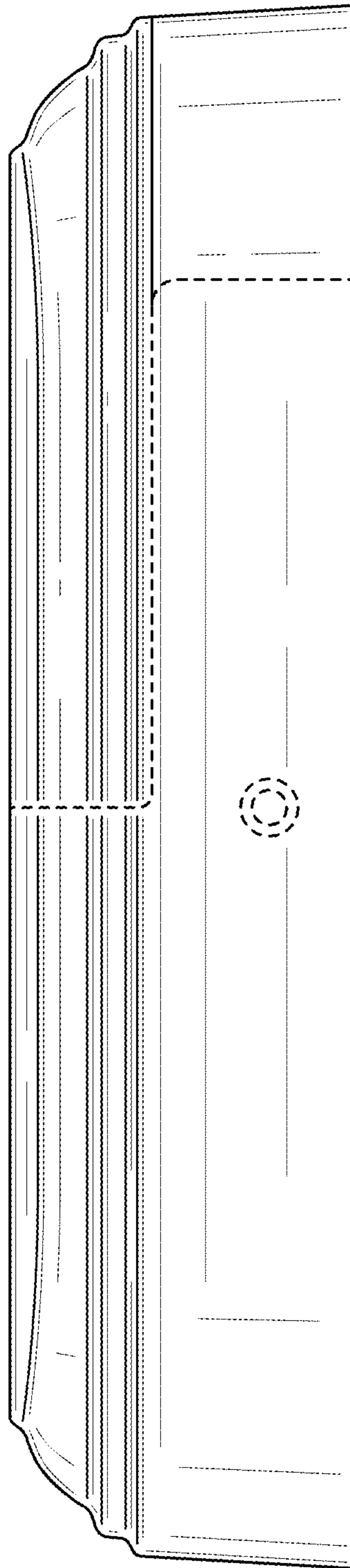


FIG. 3

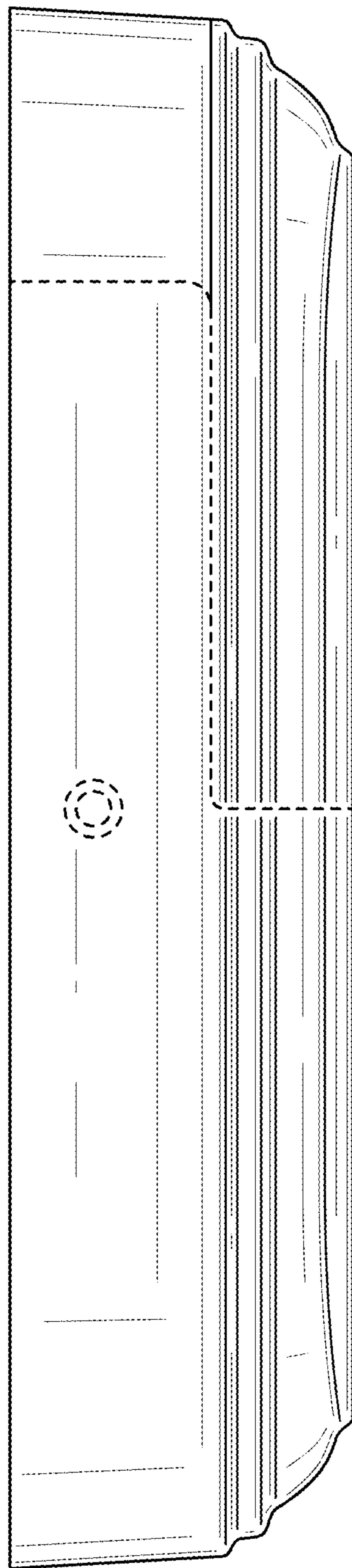


FIG. 4

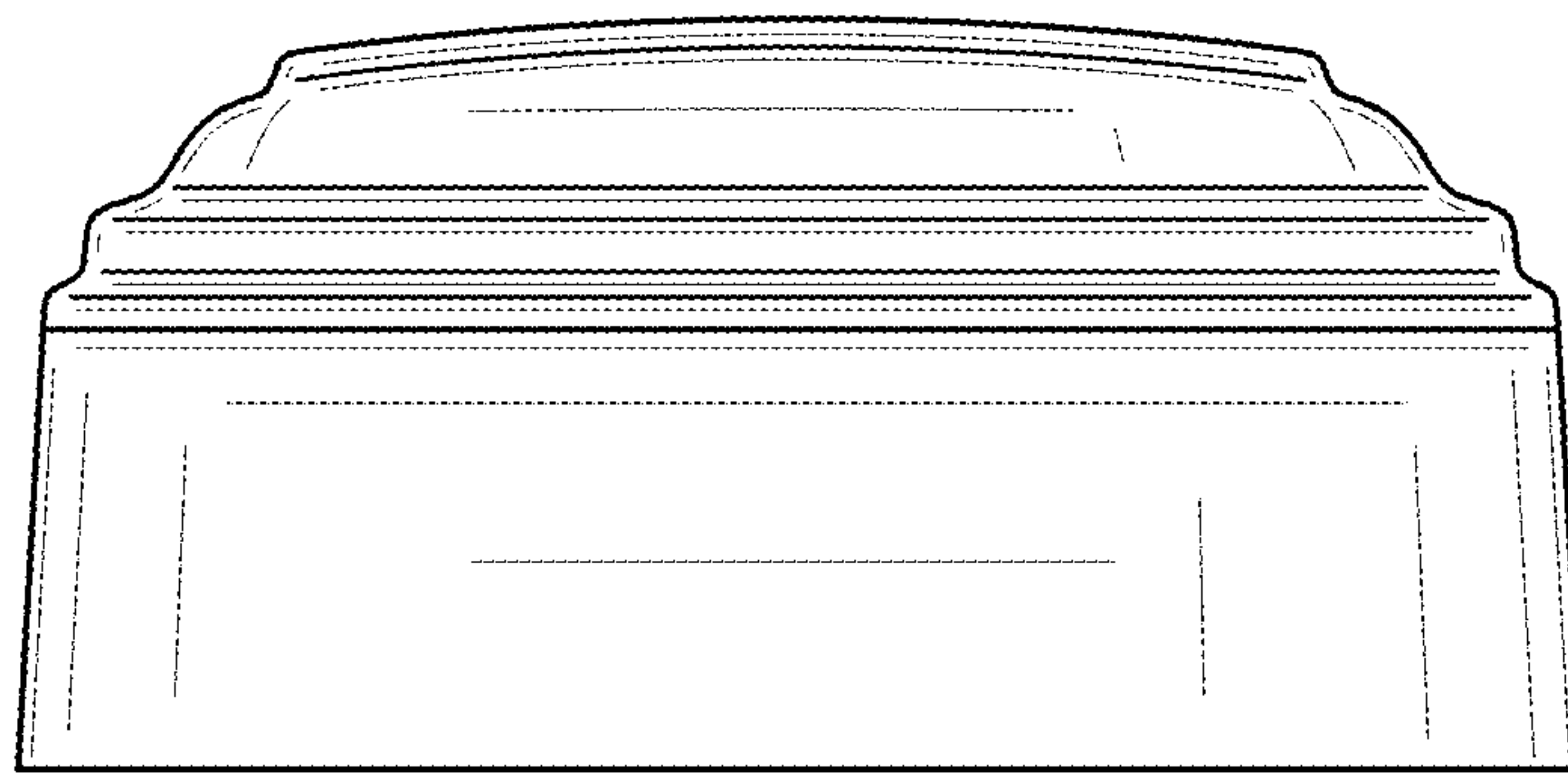


FIG. 5

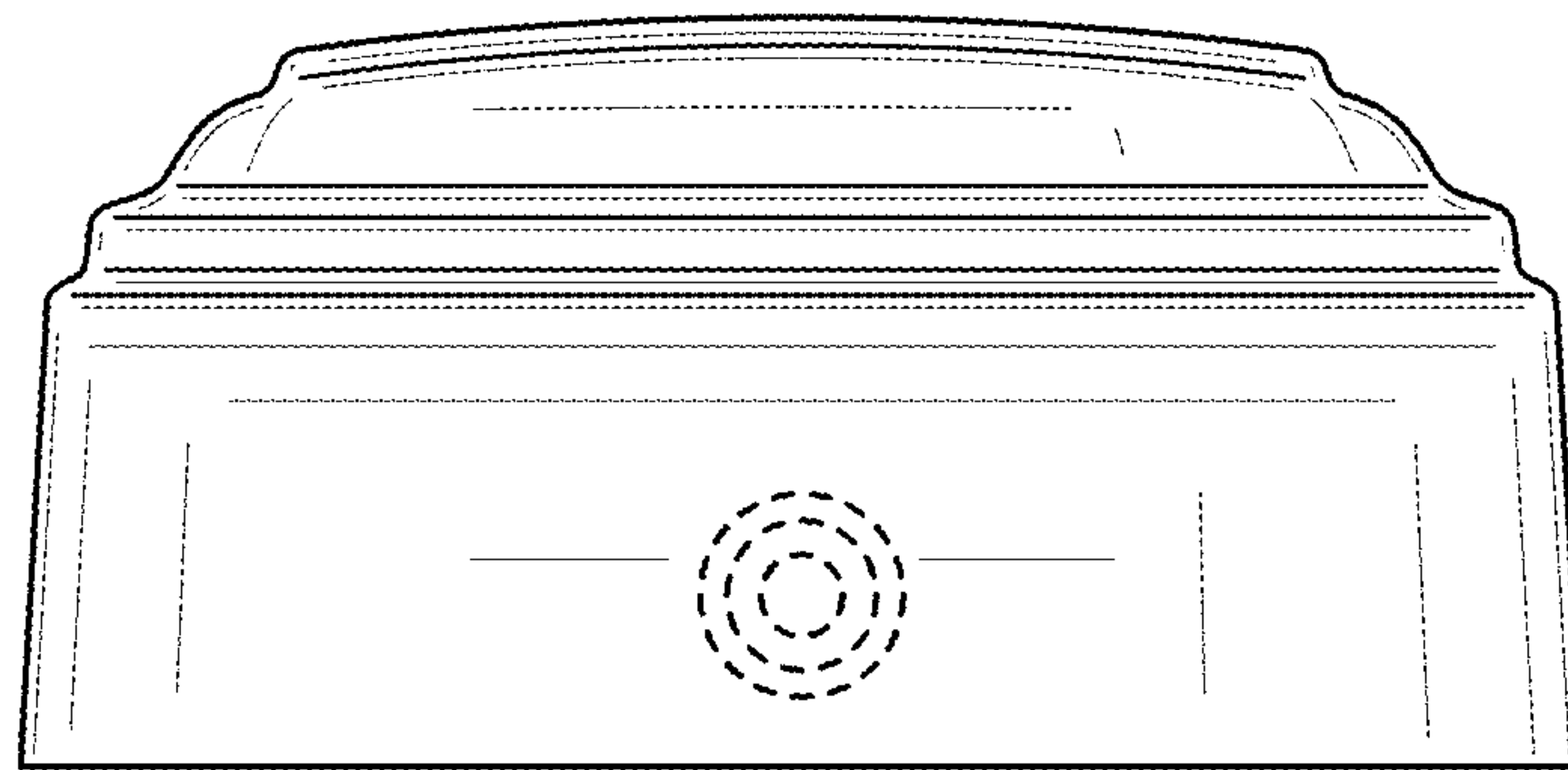


FIG. 6