



US00D812447S

(12) **United States Design Patent**
Hsu et al.

(10) **Patent No.:** **US D812,447 S**
(45) **Date of Patent:** **** Mar. 13, 2018**

- (54) **DEADBOLT FOR A DOOR**
- (71) Applicant: **Spectrum Brands, Inc.**, Middleton, WI (US)
- (72) Inventors: **Wei Hsu**, Lake Forest, CA (US); **Elliott Schneider**, Foothill Ranch, CA (US)
- (73) Assignee: **Spectrum Brands, Inc.**, Middleton, WI (US)
- (**) Term: **15 Years**
- (21) Appl. No.: **29/589,630**
- (22) Filed: **Jan. 3, 2017**
- (51) **LOC (11) Cl.** **08-07**
- (52) **U.S. Cl.**
USPC **D8/331**
- (58) **Field of Classification Search**
USPC D8/330, 331, 334, 300, 301, 350; 70/14, 70/20-22, 57, 57.1, 284-286, 314, 70/DIG. 44, 266, 277, 271
CPC E05B 9/00; E05B 9/02; E05B 2009/006; E05B 49/00
See application file for complete search history.

- 7,210,421 B1 * 5/2007 Pendergrap B63B 43/24 114/78
- D552,964 S * 10/2007 Bogdanov D8/343
- D552,968 S 10/2007 Roberts et al.
- D553,953 S 10/2007 Roberts et al.
- D554,974 S 11/2007 Huang
- D577,277 S 9/2008 Samhammer et al.
- D595,109 S 6/2009 Doucet et al.
- D618,081 S 6/2010 Moyer
- D635,444 S 4/2011 Roberts, III
- D638,276 S * 5/2011 Tonizzo D8/331
- 7,990,280 B2 * 8/2011 Gray G08B 13/08 340/540
- D649,012 S 11/2011 Gartner
- 8,331,544 B2 * 12/2012 Kraus G07C 9/00944 340/5.7

(Continued)

FOREIGN PATENT DOCUMENTS

- EM 000599246-0001 4/2006
- EM 001682691-0013 3/2010

Primary Examiner — Prabhakar Deshmukh
(74) *Attorney, Agent, or Firm* — Banner & Witcoff, Ltd.

(57) **CLAIM**

The ornamental design for a deadbolt for a door, for as shown and described.

DESCRIPTION

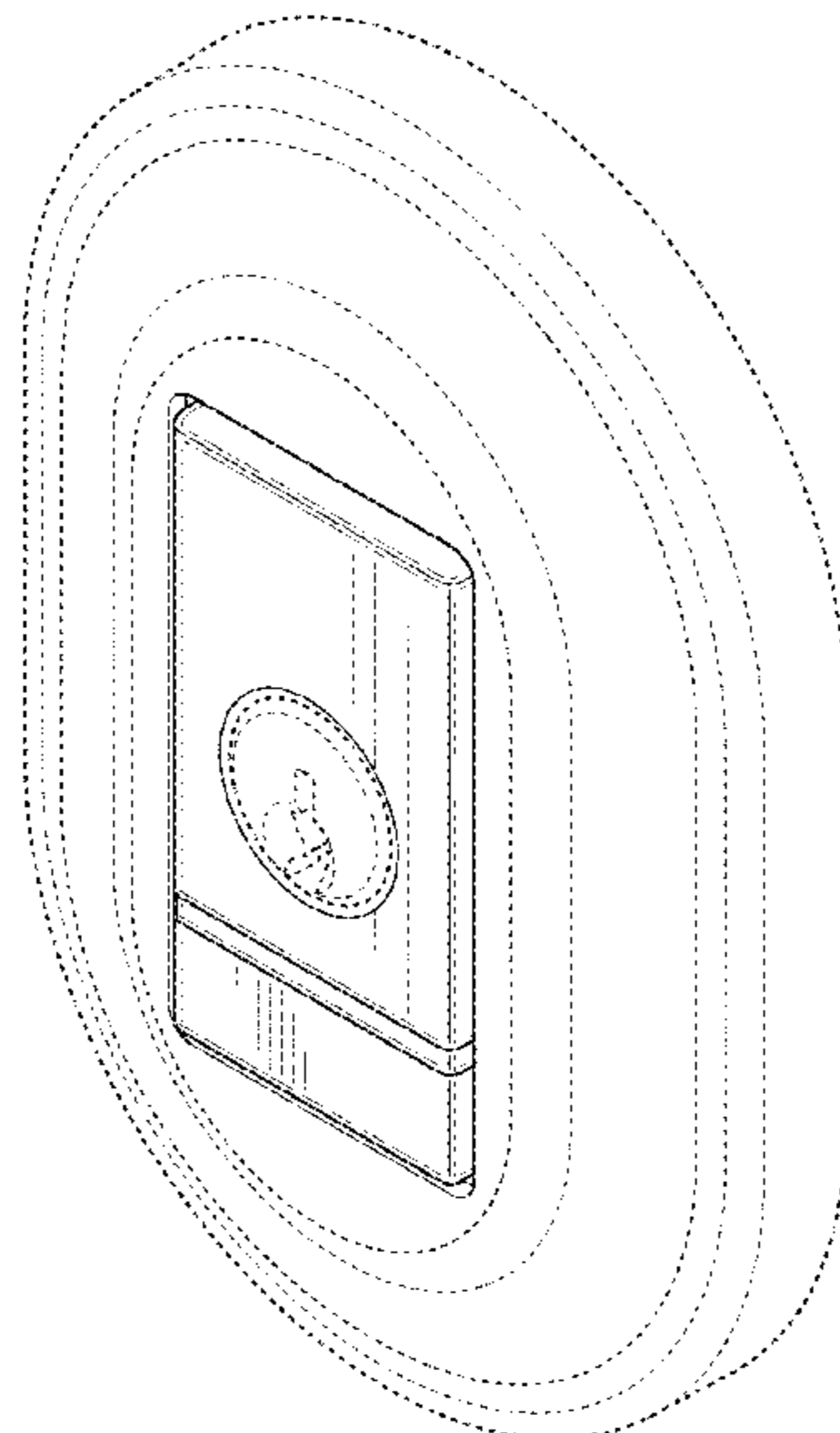
FIG. 1 is a front perspective view of a deadbolt for a door showing our new design;
FIG. 2 is a front view thereof;
FIG. 3 is a left side view thereof;
FIG. 4 is a right side view thereof;
FIG. 5 is a top view thereof; and,
FIG. 6 is a bottom view thereof.
The broken line showing of the remainder of the deadbolt represents unclaimed subject matter and forms no part of the claimed design.

1 Claim, 4 Drawing Sheets

(56) **References Cited**

U.S. PATENT DOCUMENTS

- 4,126,341 A * 11/1978 Bradstock E05B 47/0012 292/201
- D349,037 S 7/1994 Carsello
- D365,976 S * 1/1996 Chiu D8/301
- D396,798 S 8/1998 Adelmeyer et al.
- D462,005 S 8/2002 Nakamaru
- D488,702 S 4/2004 Hansen
- D494,841 S 8/2004 Moon et al.
- D513,469 S * 1/2006 Gao D8/350
- 7,091,429 B2 * 8/2006 Case E05B 15/02 200/314
- D533,047 S 12/2006 Wright et al.



(56)

References Cited

U.S. PATENT DOCUMENTS

D682,656	S	5/2013	Cramer et al.	
D682,657	S	5/2013	Roberts, III	
D682,658	S	* 5/2013	Cramer	D8/331
D684,842	S	6/2013	Chan et al.	
D701,748	S	4/2014	Weathersby et al.	
D722,260	S	2/2015	Warmenhoven et al.	
D722,633	S	2/2015	Au	
D732,923	S	6/2015	Rechberg et al.	
D733,522	S	7/2015	Kim et al.	
D736,591	S	8/2015	Groleski et al.	
D736,596	S	8/2015	Warmenhoven et al.	
D737,118	S	8/2015	Chan et al.	
D737,661	S	9/2015	Chan	
D790,950	S	* 7/2017	Kraus	D8/330
D795,041	S	* 8/2017	Oliva Camacho	D8/331
2012/0234058	A1	9/2012	Neil et al.	
2013/0237193	A1	9/2013	Dumas et al.	

* cited by examiner

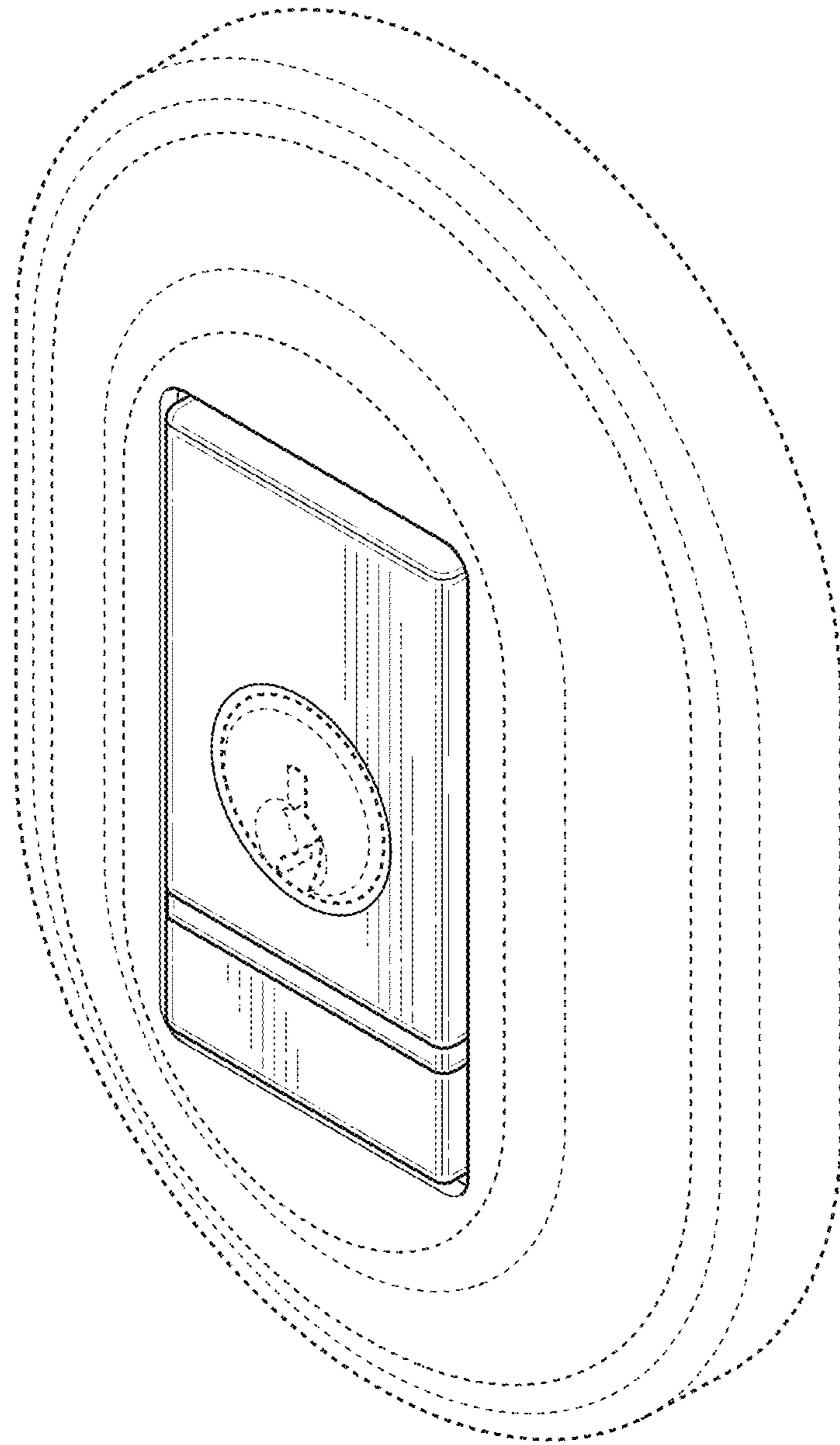


FIG. 1

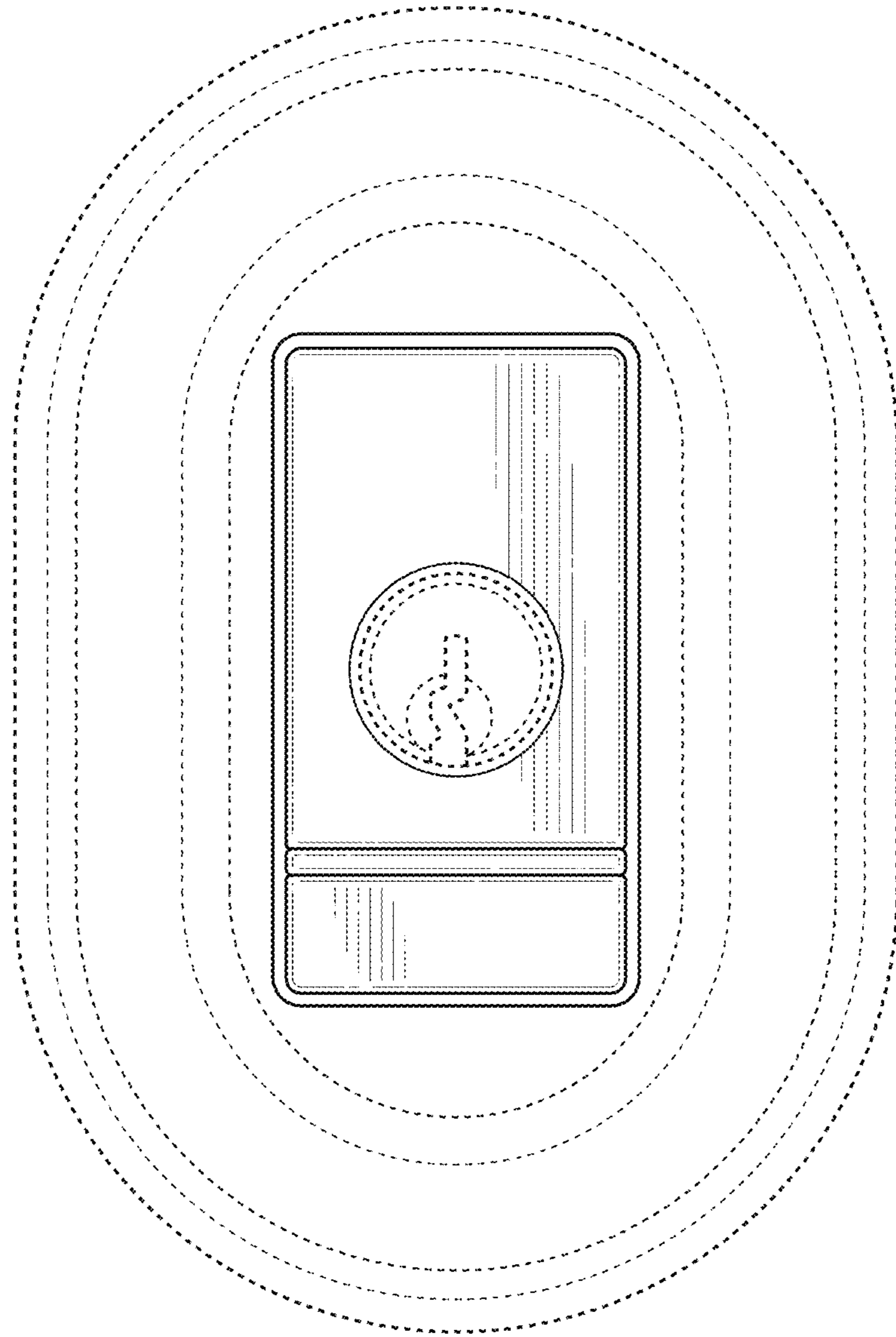


FIG. 2

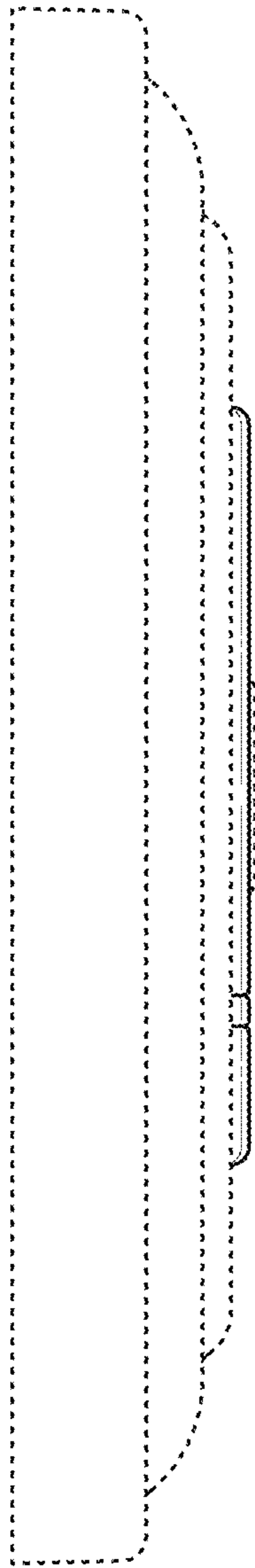


FIG. 3

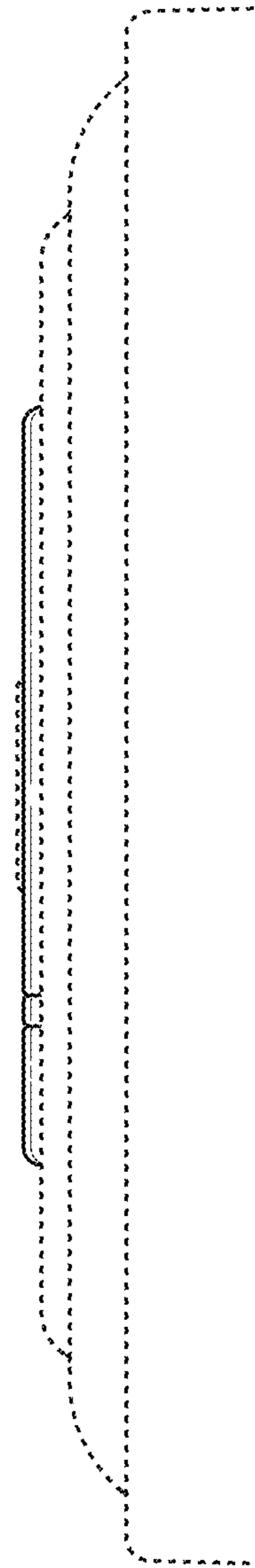


FIG. 4

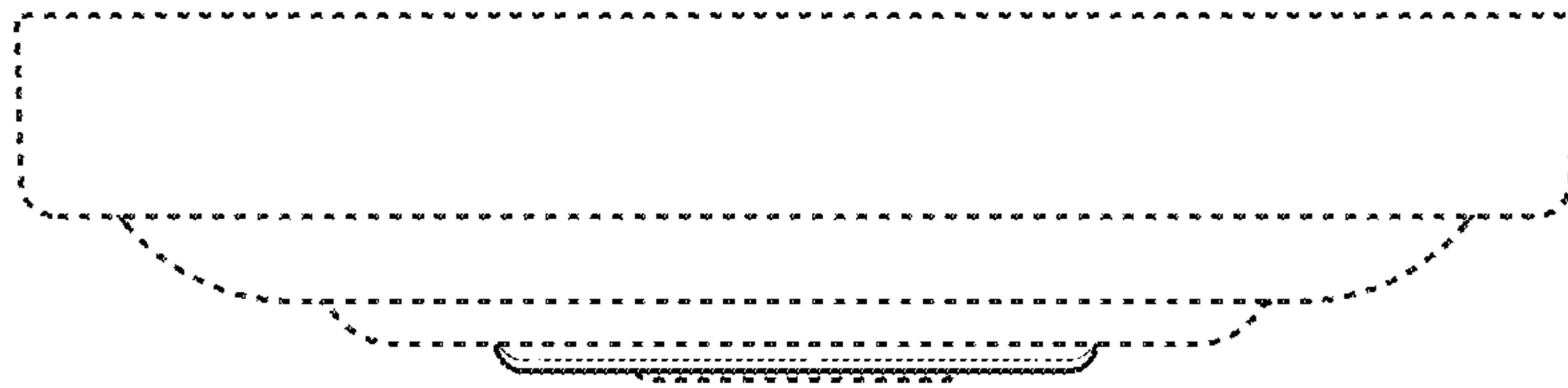


FIG. 5

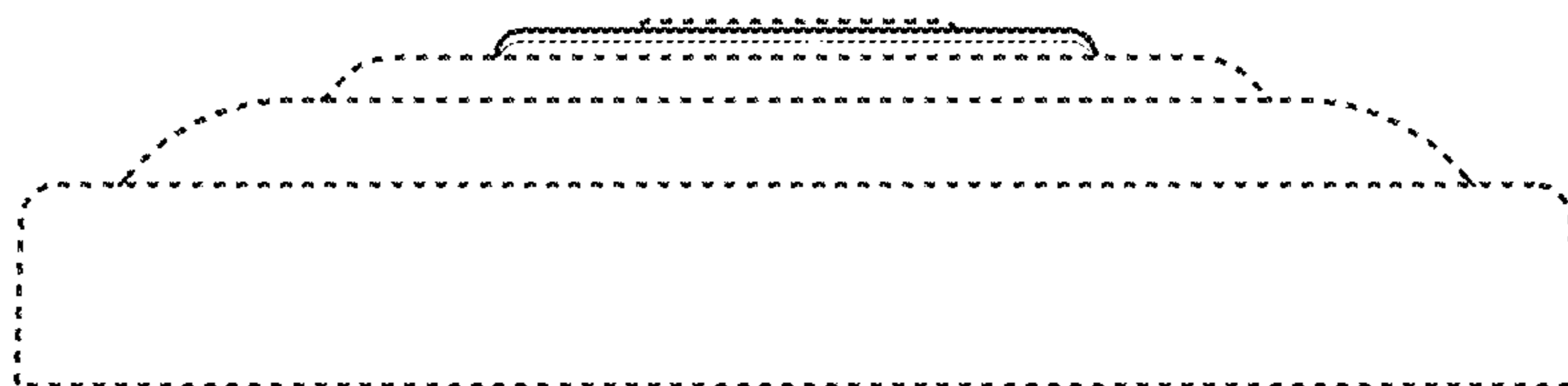


FIG. 6