



US00D812445S

(12) **United States Design Patent**
Nelson

(10) **Patent No.:** **US D812,445 S**
(45) **Date of Patent:** **** Mar. 13, 2018**

- (54) **OVERSTRIKE FOR A STRIKING TOOL**
- (71) Applicant: **Home Depot Product Authority, LLC**,
Atlanta, GA (US)
- (72) Inventor: **Michael R. Nelson**, Peachtree City, GA
(US)
- (73) Assignee: **Home Depot Product Authority, LLC**,
Atlanta, GA (US)

5,988,020 A * 11/1999 Johnson B25D 1/06
81/23
D429,985 S * 8/2000 Tovar D8/78
6,647,829 B1 * 11/2003 Youngren B25G 1/01
254/26 R
D628,870 S * 12/2010 Jerabek D8/78
D652,703 S * 1/2012 Onello D8/77
D653,094 S * 1/2012 Onello D8/77

(Continued)

(**) Term: **15 Years**

(21) Appl. No.: **29/559,107**

(22) Filed: **Mar. 24, 2016**

(51) **LOC (11) Cl.** **08-02**

(52) **U.S. Cl.**
USPC **D8/80**

(58) **Field of Classification Search**
USPC D8/1, 11, 75-81, 107, 303
CPC A01B 1/20; A01B 1/227; A01G 23/099;
B25D 1/00; B25D 1/045; B25D 1/06;
B25G 1/10; B25G 1/01; B25G 1/08;
B25G 3/28; B25G 3/34; B26B 23/00;
B27L 7/06

See application file for complete search history.

(56) **References Cited**

U.S. PATENT DOCUMENTS

- 776,734 A * 12/1904 Fuller B26B 23/00
30/308.1
- 4,287,640 A * 9/1981 Keathley B25G 3/34
125/43
- 4,344,901 A * 8/1982 Keathley B25G 3/34
264/261
- D288,406 S * 2/1987 Santos D8/78
- 4,723,582 A * 2/1988 Caspall B25D 1/00
101/31
- D330,837 S * 11/1992 Harmon D8/80
- D365,739 S * 1/1996 Weintraut D8/78
- D381,884 S * 8/1997 Spierer D8/75

OTHER PUBLICATIONS

Canadian Office Action received in related patent application No. 170683, dated Dec. 30, 2016, 3 pages.

Primary Examiner — Philip S Hyder
Assistant Examiner — Roselynn Cody

(74) *Attorney, Agent, or Firm* — Greenberg Traurig, LLP

(57) **CLAIM**

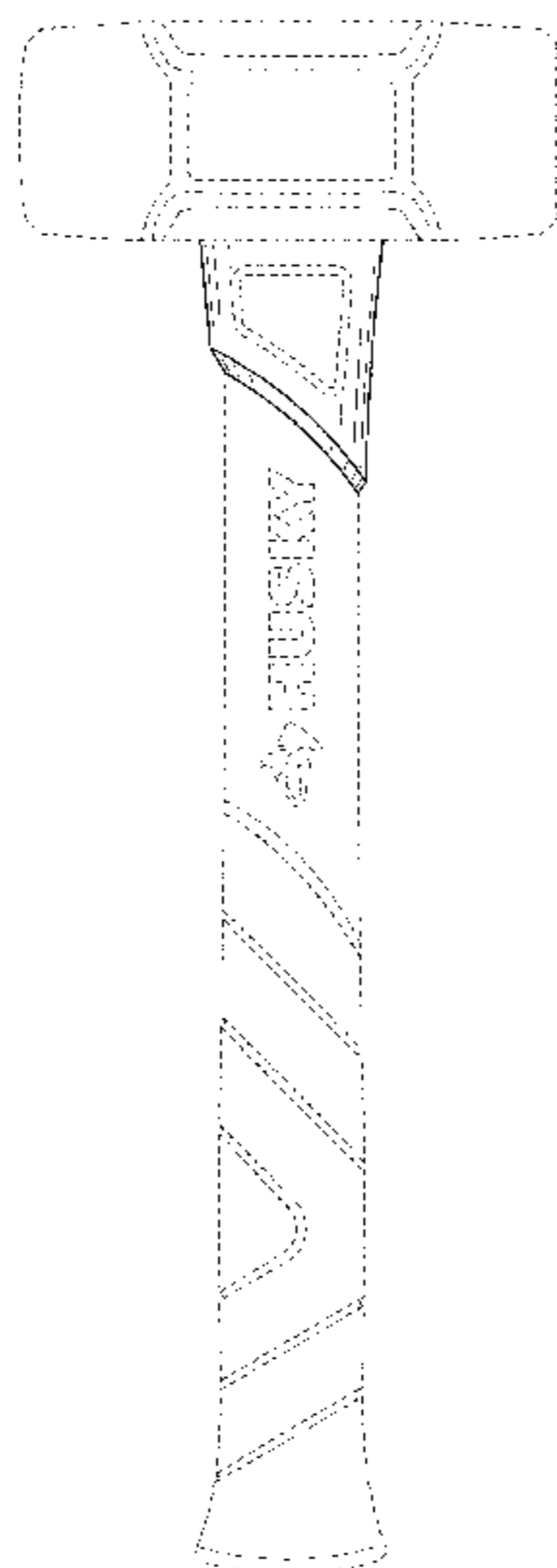
The ornamental design for an overstrike for a striking tool, as shown and described.

DESCRIPTION

FIG. 1 is a perspective view of a first embodiment of my design;
FIG. 2 is a front view thereof;
FIG. 3 is a rear view thereof;
FIG. 4 is a right view thereof;
FIG. 5 is a left view thereof;
FIG. 6 is a perspective view of a second embodiment of my design;
FIG. 7 is a front view thereof;
FIG. 8 is a rear view thereof;
FIG. 9 is a right view thereof;
FIG. 10 is a left view thereof; and,
FIG. 11 is a bottom view thereof.

The broken lines within the claimed subject matter depict features of the overstrike for a striking tool that form no part of the claim. The remaining broken lines represent environmental subject matter that also forms no part of the claim.

1 Claim, 7 Drawing Sheets



(56)

References Cited

U.S. PATENT DOCUMENTS

D653,095	S *	1/2012	Onello	D8/77
D660,123	S *	5/2012	Islas	D8/80
D770,257	S *	11/2016	Stokes	D8/75
D770,258	S *	11/2016	Stokes	D8/76
D772,671	S *	11/2016	Stokes	D8/75
2006/0021473	A1 *	2/2006	Deros	B25D 1/045 81/20
2012/0119173	A1 *	5/2012	Hanlon	B25D 1/045 254/26 R

* cited by examiner

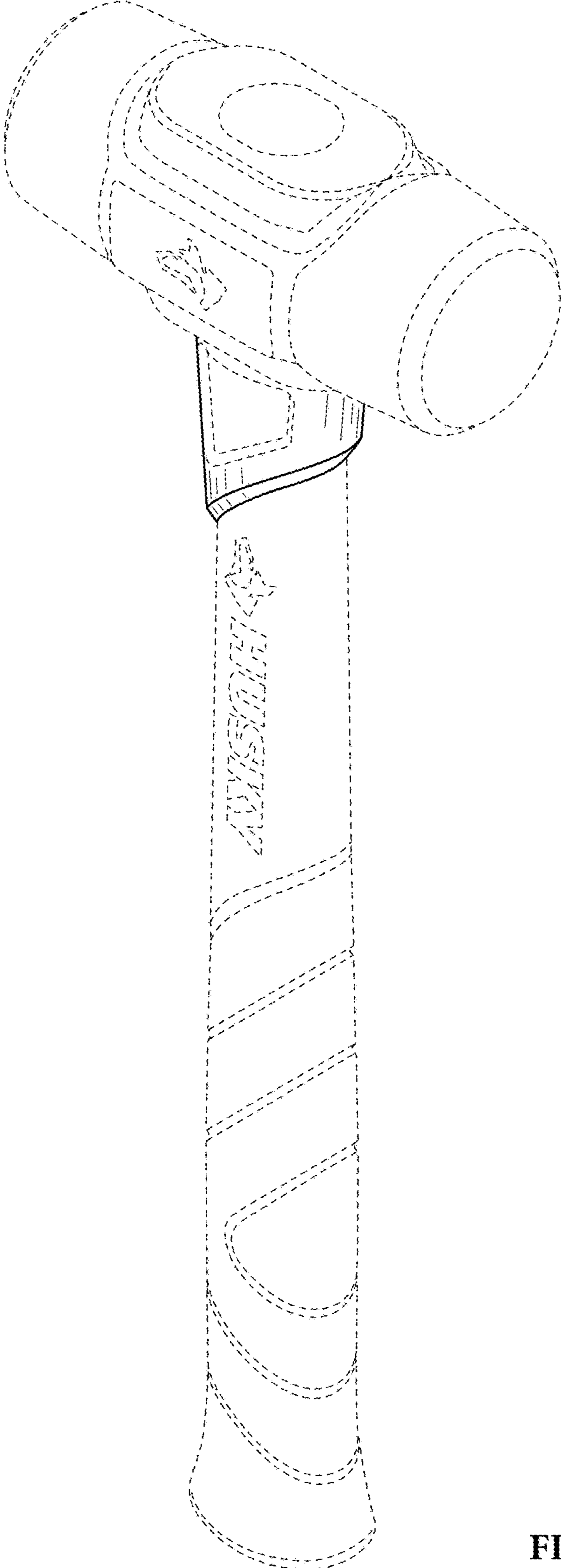
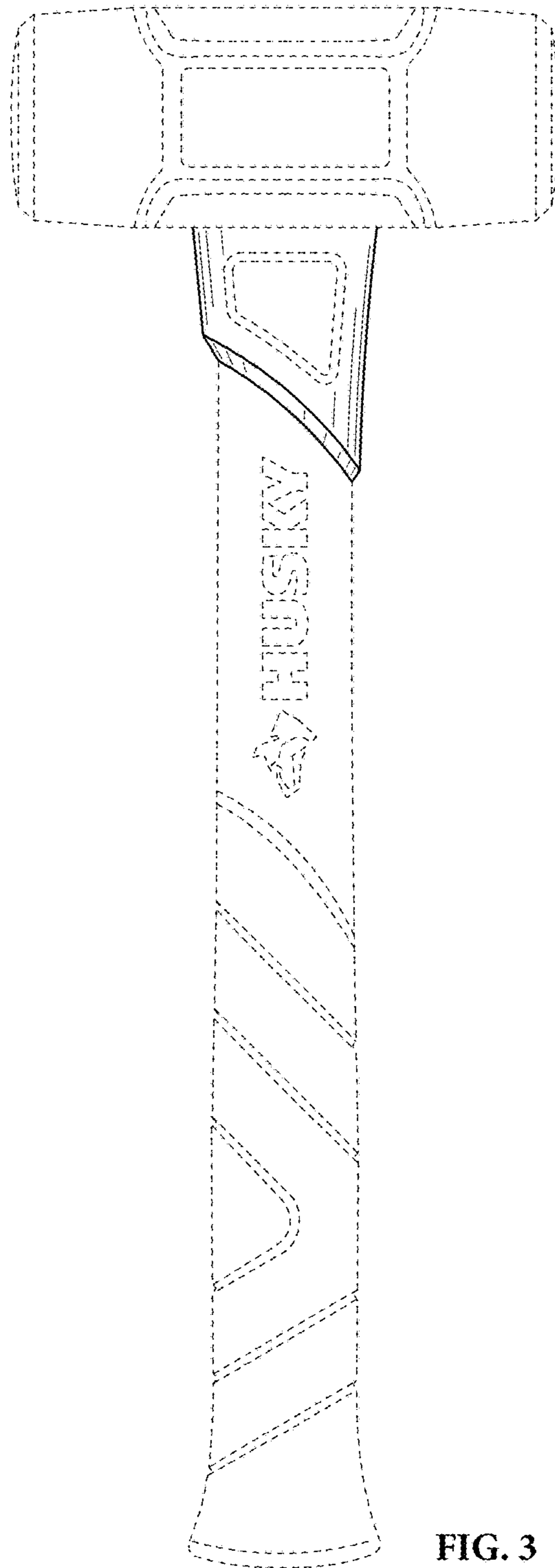
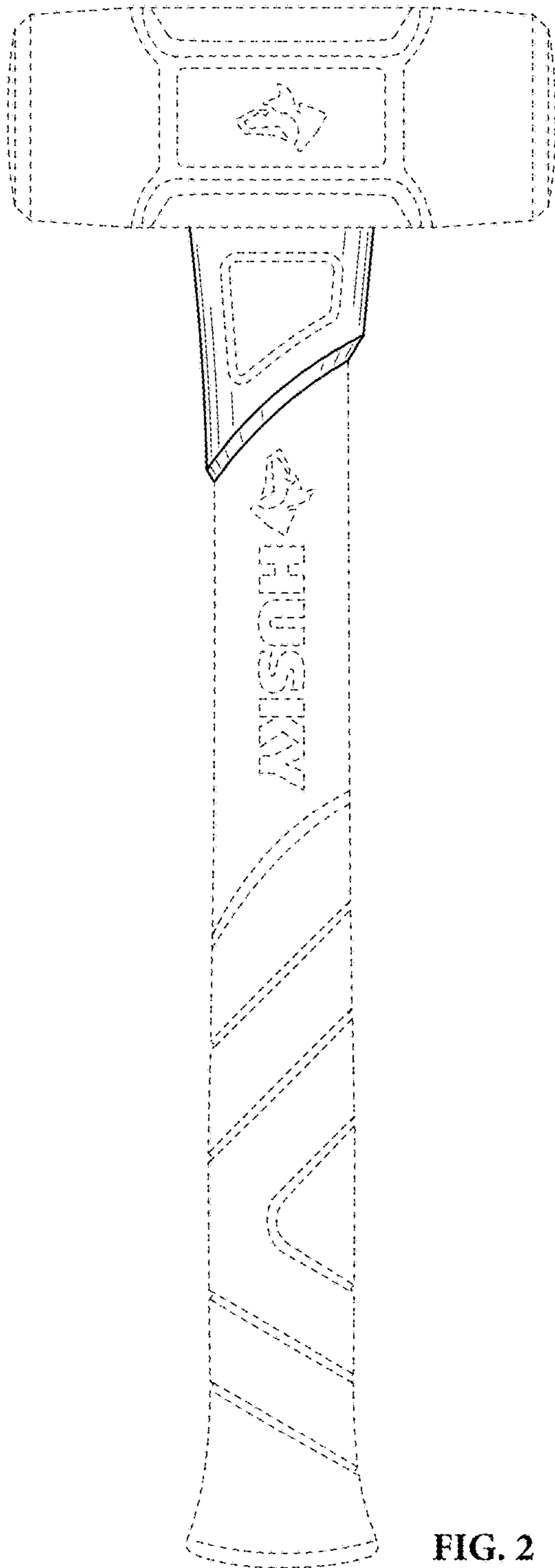


FIG. 1



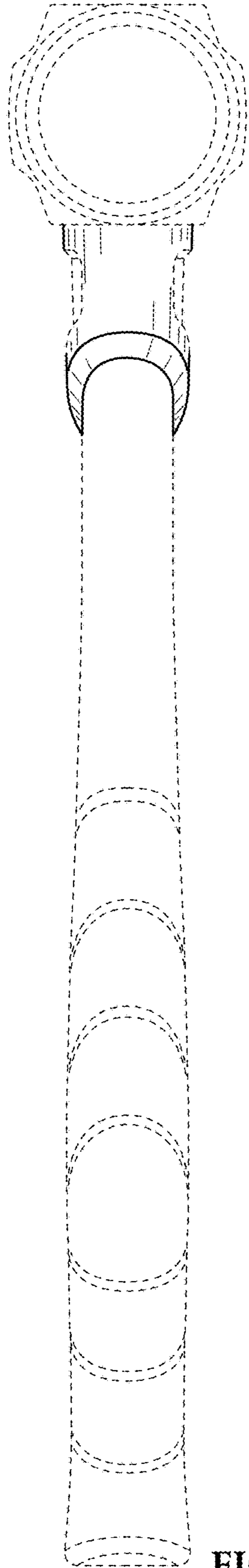


FIG. 4

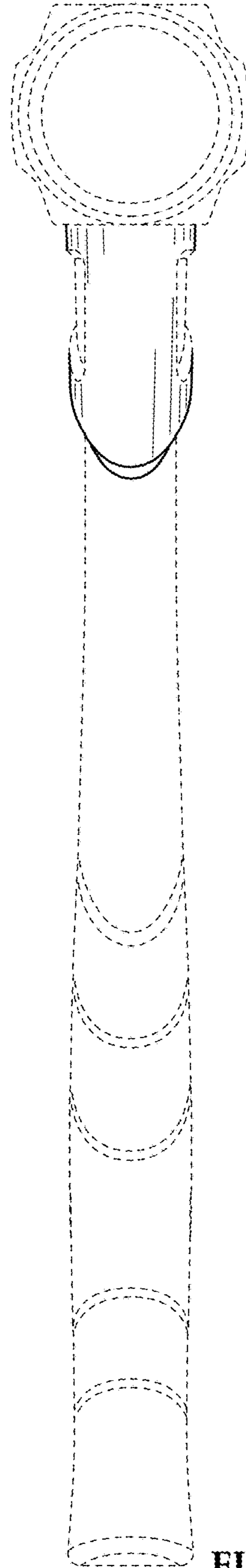


FIG. 5

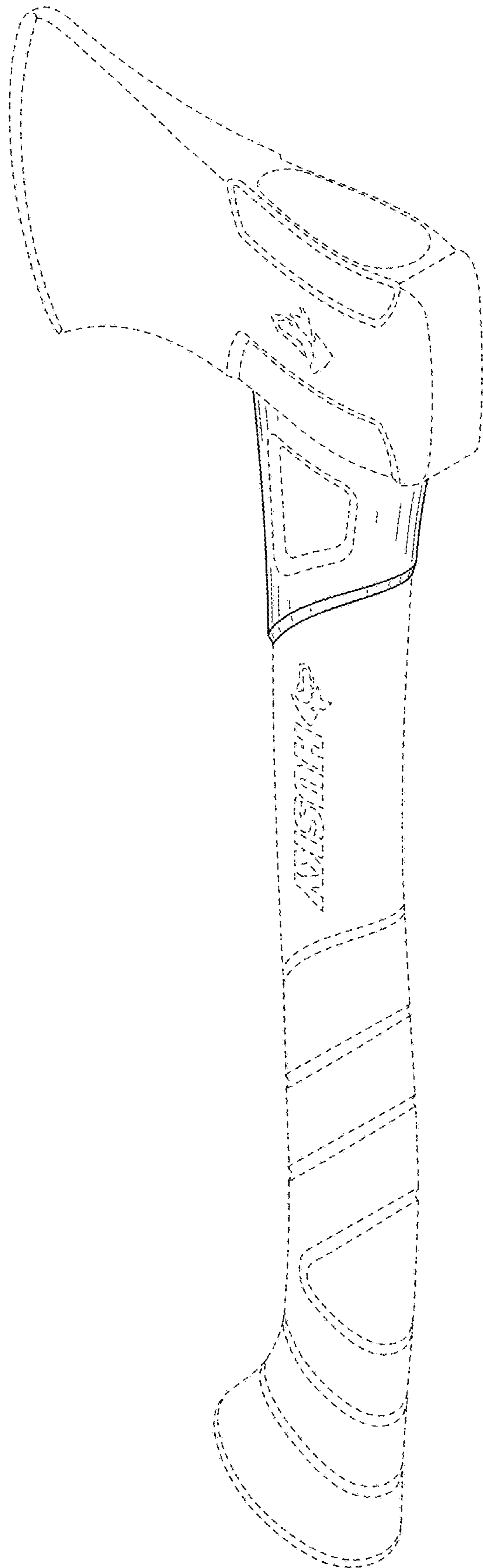


FIG. 6

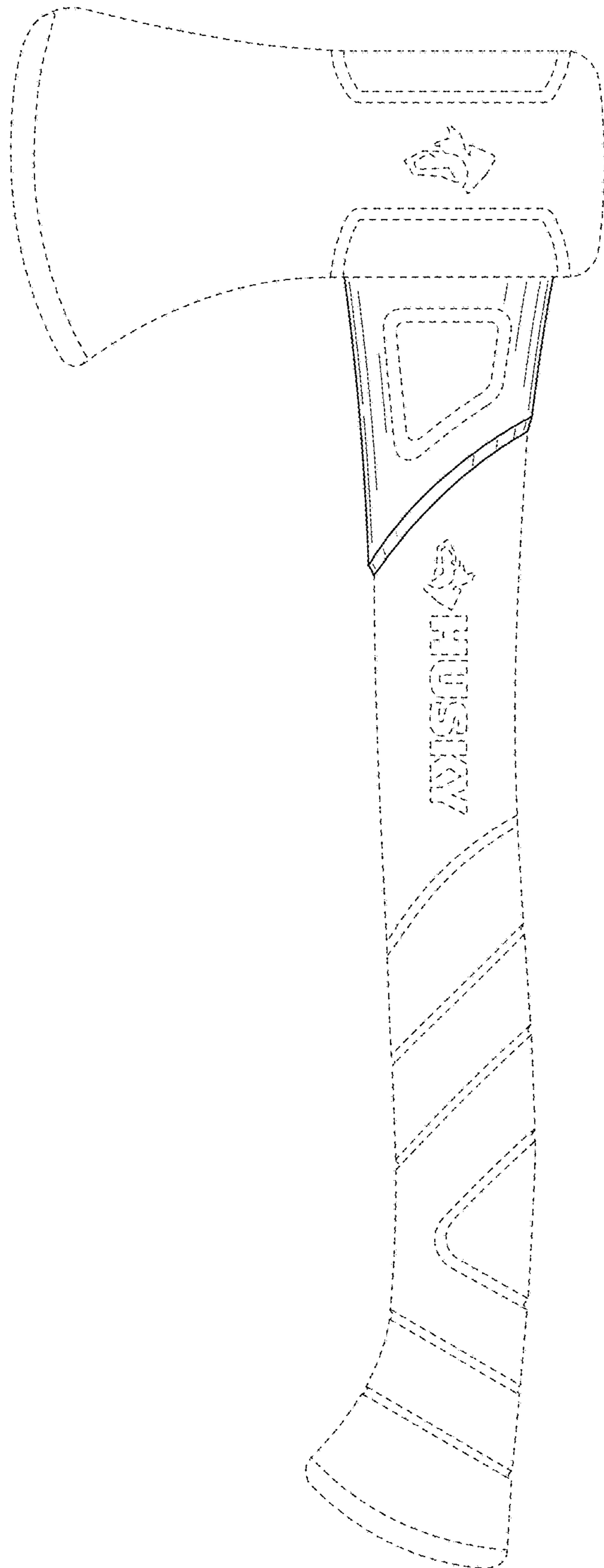


FIG. 7

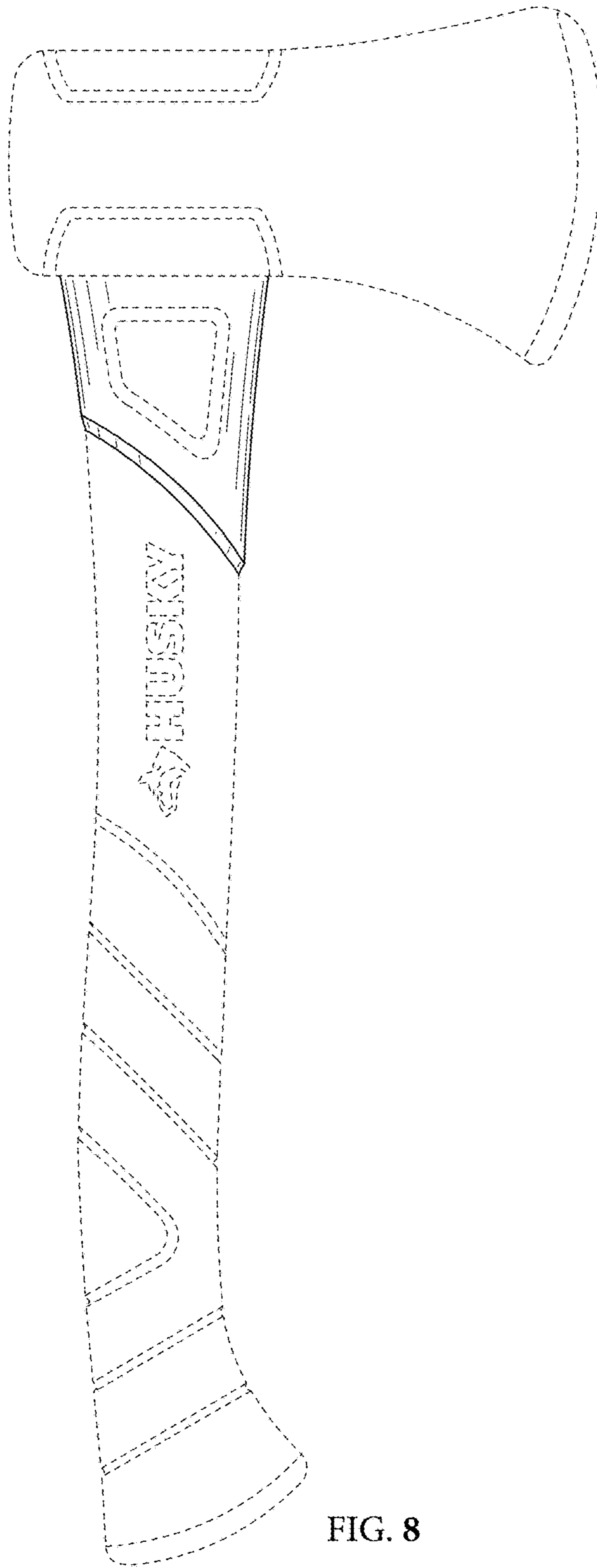


FIG. 8

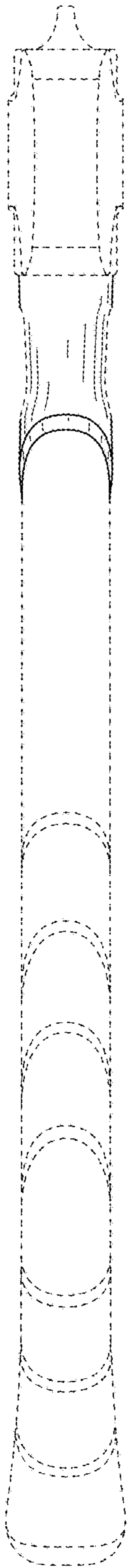


FIG. 9

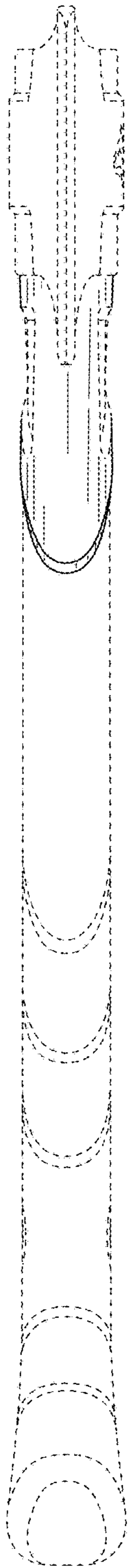


FIG. 10

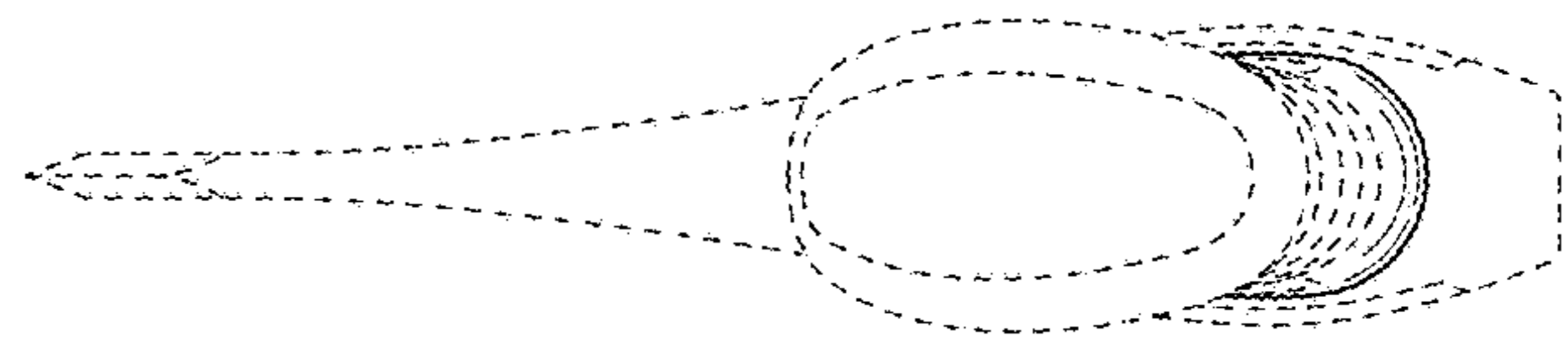


FIG. 11