



US00D812442S

(12) **United States Design Patent**
Mulik et al.

(10) **Patent No.:** **US D812,442 S**
(45) **Date of Patent:** **** Mar. 13, 2018**

- (54) **NAIL STRAIGHTENER**
- (71) Applicants: **Daniel Mulik**, Emmaus, PA (US);
Barbara Mulik, Emmaus, PA (US)
- (72) Inventors: **Daniel Mulik**, Emmaus, PA (US);
Barbara Mulik, Emmaus, PA (US)
- (**) Term: **15 Years**
- (21) Appl. No.: **29/564,286**
- (22) Filed: **May 11, 2016**
- (51) **LOC (11) Cl.** **08-05**
- (52) **U.S. Cl.**
USPC **D8/14**
- (58) **Field of Classification Search**
USPC D3/901, 903, 905; D8/14, 46, 71, 499;
D9/432; D15/126, 138; D27/186,
D27/189-191; D28/78, 83; D99/28;
29/402.19; 72/357, 385, 416, 472
CPC B21D 3/16; B21D 1/06; B21F 1/10; B21G
1/006; B21G 1/12; B25C 13/00
See application file for complete search history.

2,426,340 A	8/1947	Bush	
D153,372 S *	4/1949	McIntosh	D28/83
2,582,560 A	1/1952	Peterson	
2,628,519 A	2/1953	Hand	
D170,798 S *	11/1953	Dundon et al.	211/70.6
2,784,622 A *	3/1957	Curtin	B25C 13/00 7/146
3,992,918 A	11/1976	Broyles	
D263,275 S	3/1982	Amour	
5,732,591 A	3/1998	Johnson	
D476,448 S *	6/2003	Sheng	D28/83
D552,797 S *	10/2007	Kueth	D28/83
D553,296 S *	10/2007	Kueth	D28/83
2001/0029633 A1 *	10/2001	Johnson	B25D 1/04 7/146

* cited by examiner

Primary Examiner — Phillip S Hyder
Assistant Examiner — Roselynn Cody

(57) **CLAIM**

The ornamental design for a nail straightener, as shown and described.

DESCRIPTION

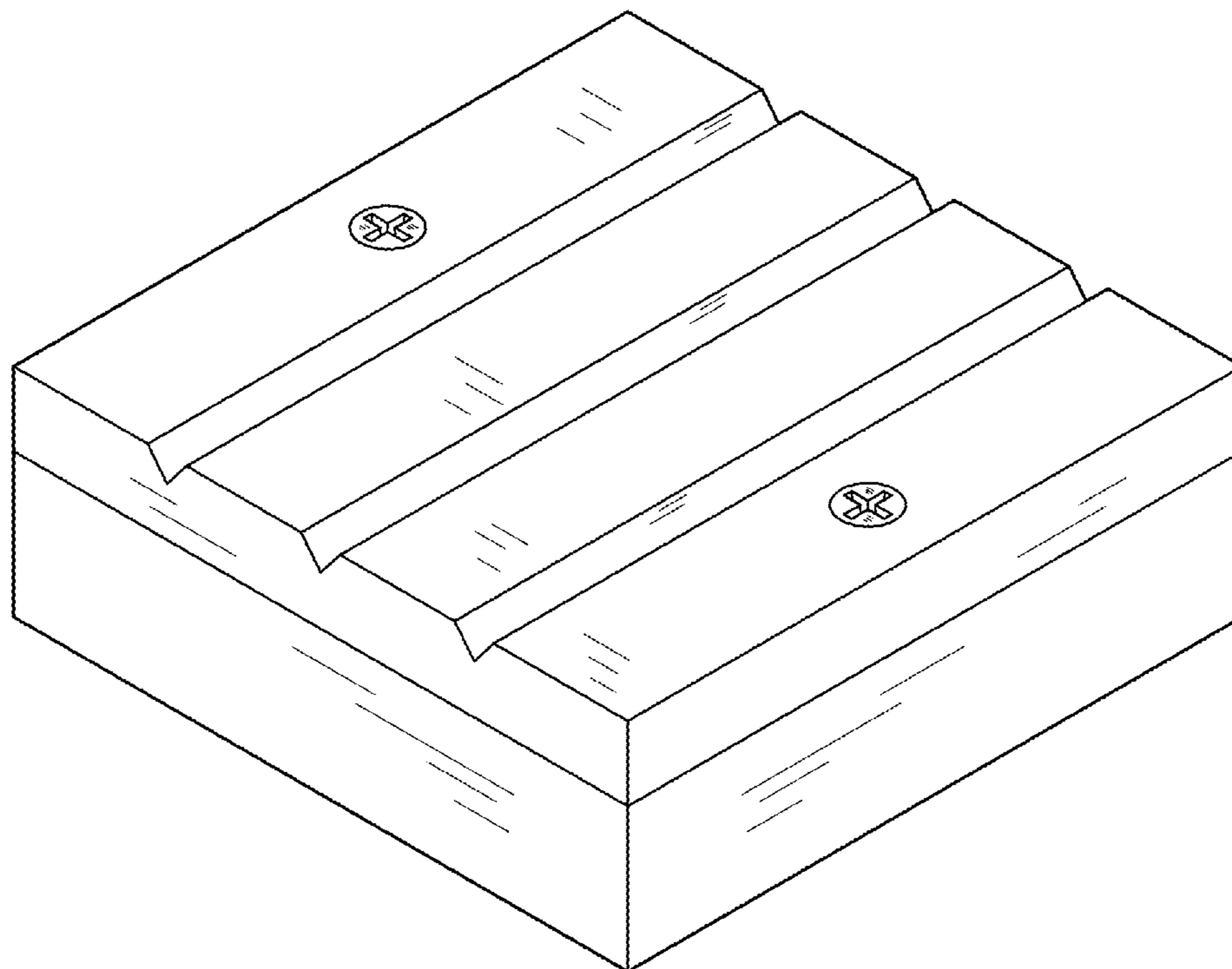
FIG. 1 is a front view of a nail straightener showing my new design, a rear view being identical;
FIG. 2 is a left side view of the nail straightener, a right side view being identical;
FIG. 3 is a top view of the nail straightener;
FIG. 4 is a bottom view of the nail straightener; and,
FIG. 5 is a top front side perspective view of the nail straightener.

1 Claim, 3 Drawing Sheets

(56) **References Cited**

U.S. PATENT DOCUMENTS

1,639,289 A *	8/1927	Haegler	B21G 1/006 72/412
1,666,844 A	4/1928	Centeno	
D121,825 S *	8/1940	Vendig	206/261
2,416,832 A *	3/1947	Delbert	B21G 1/12 470/209



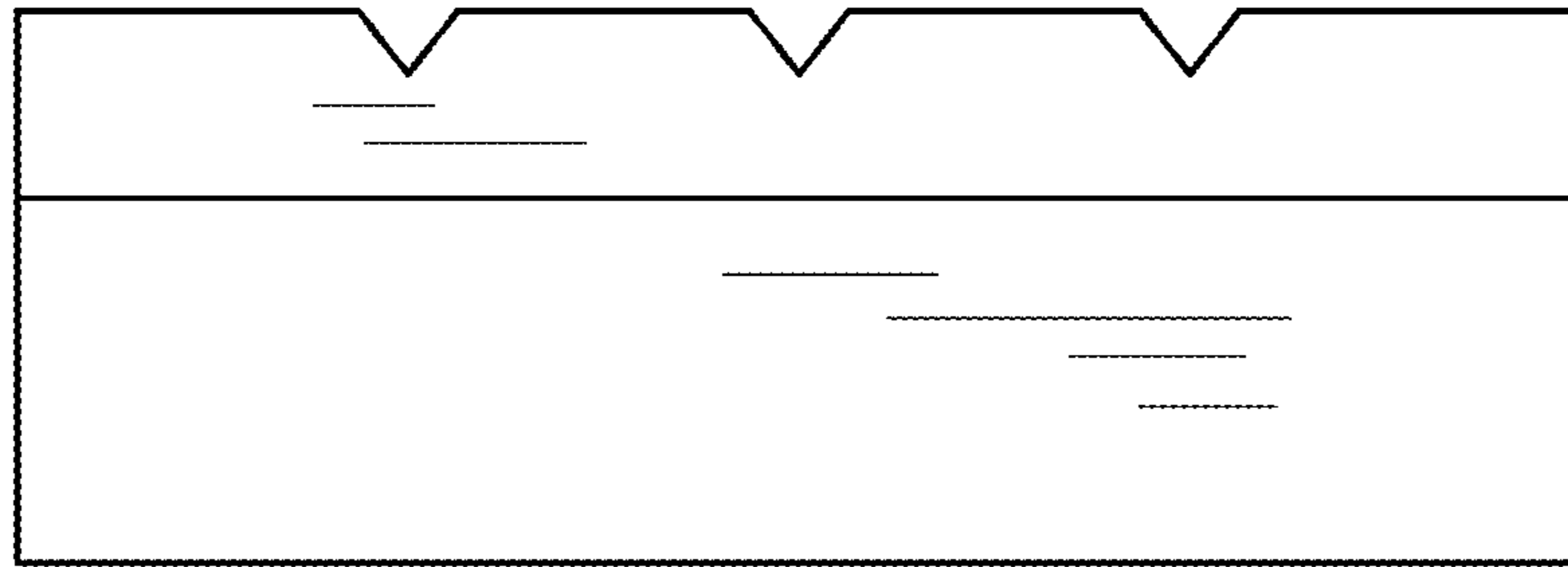


FIG. 1

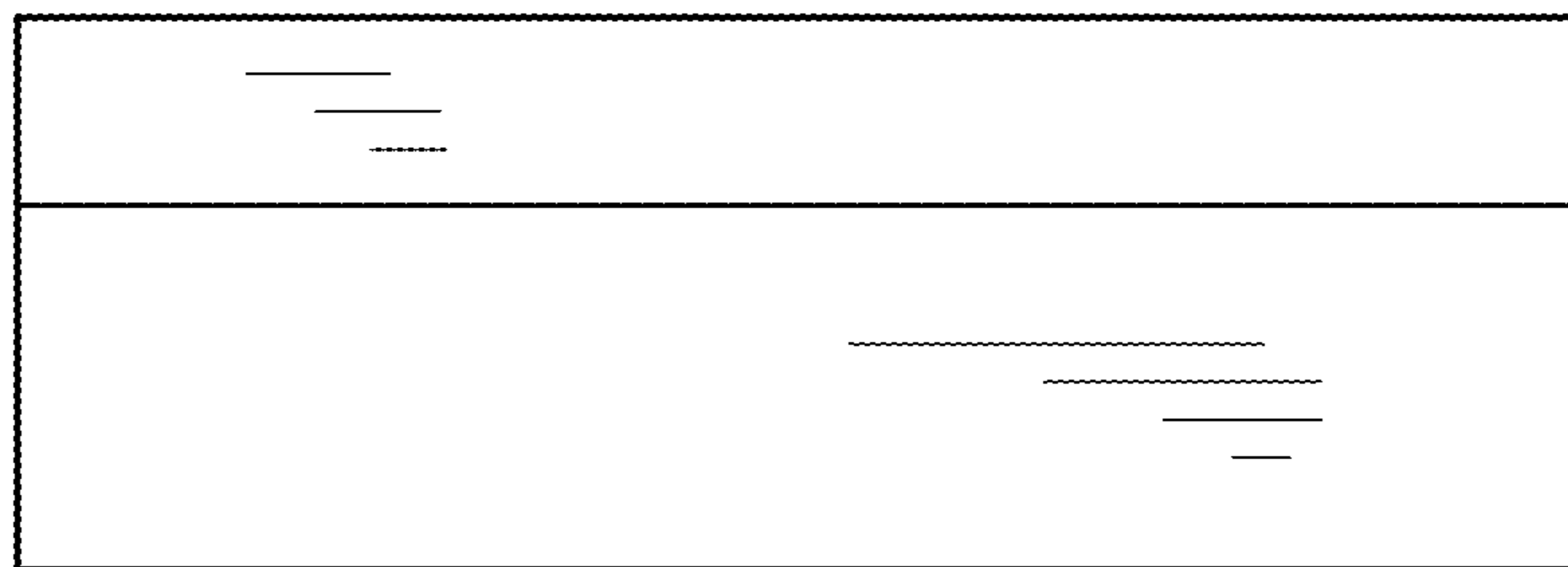


FIG. 2

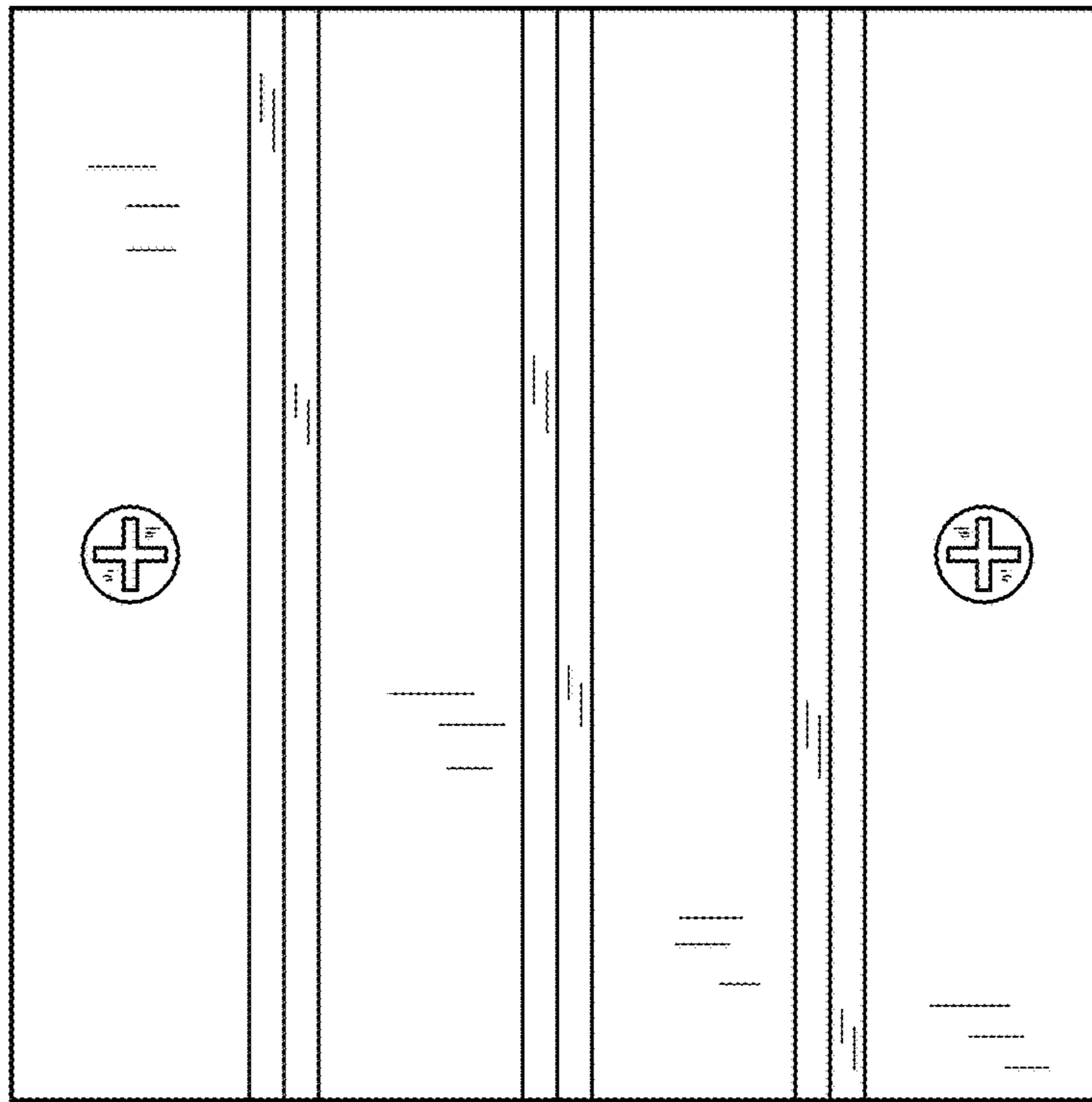


FIG. 3

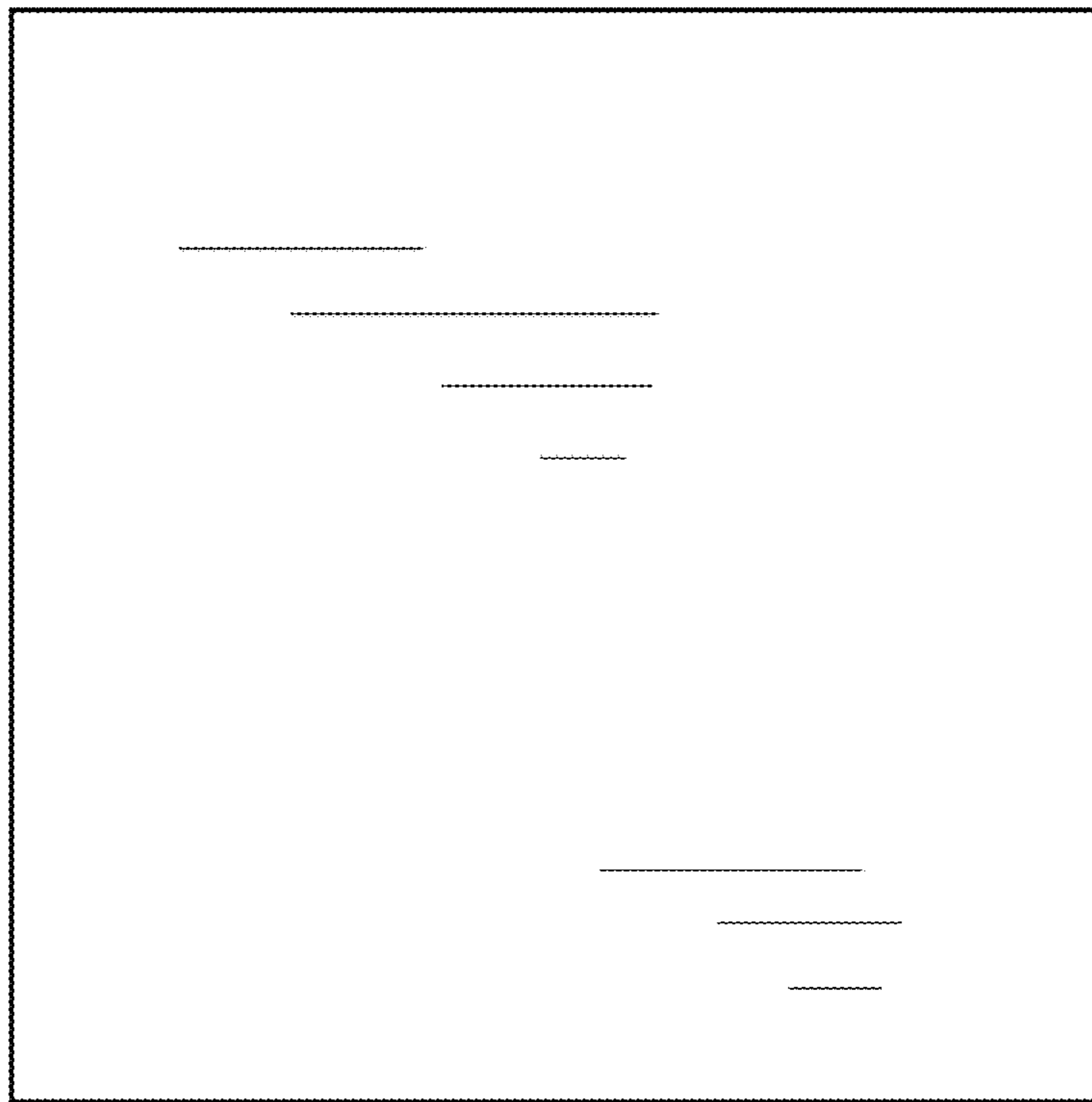


FIG. 4

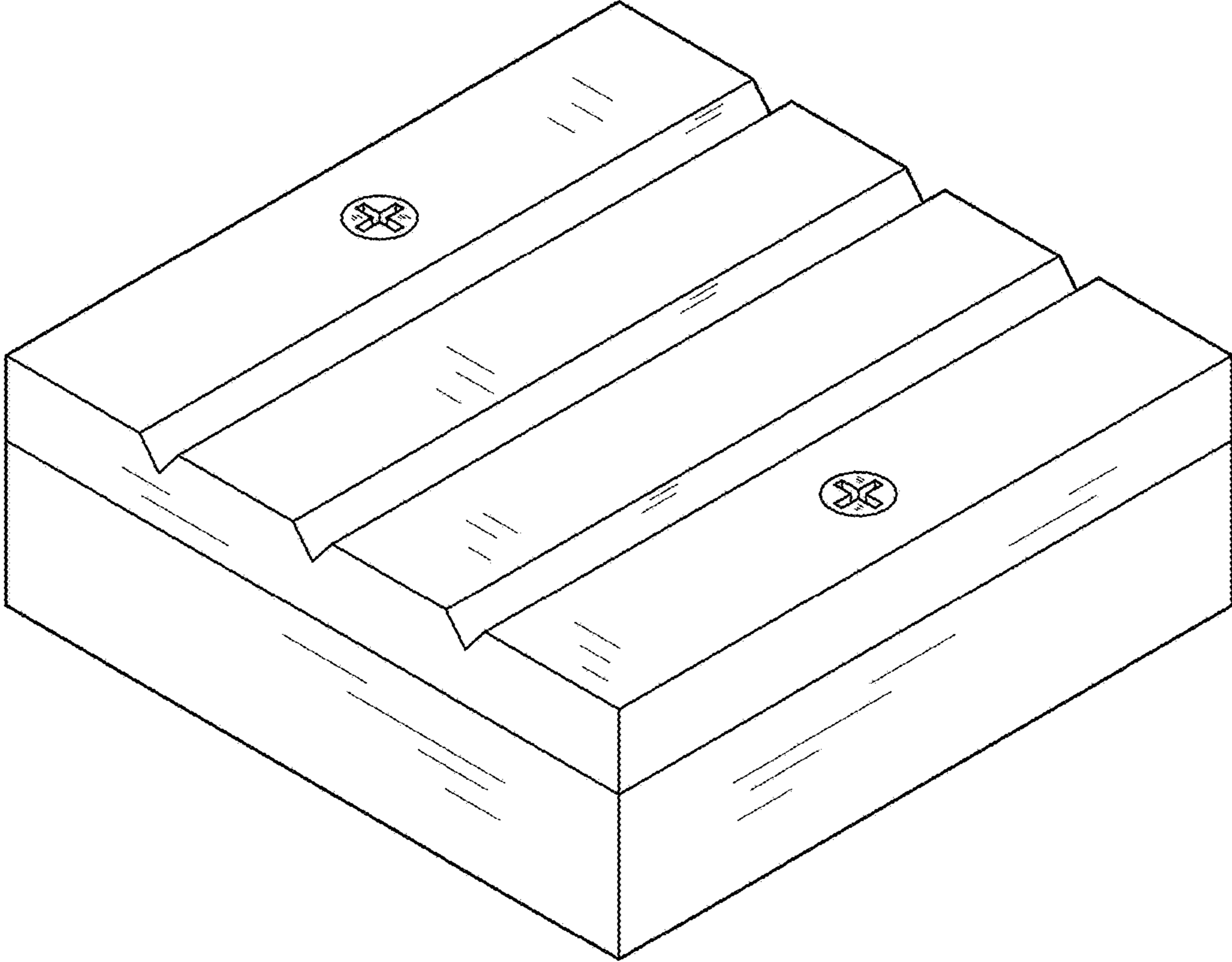


FIG. 5