



US00D812440S

(12) **United States Design Patent**
Selvaggio

(10) **Patent No.:** **US D812,440 S**
(45) **Date of Patent:** **** Mar. 13, 2018**

(54) **BEVERAGE CAN HOLDER**

(71) Applicant: **David Selvaggio**, Barrington, IL (US)

(72) Inventor: **David Selvaggio**, Barrington, IL (US)

(**) Term: **15 Years**

(21) Appl. No.: **29/553,637**

(22) Filed: **Feb. 3, 2016**

(51) **LOC (11) Cl.** **07-06**

(52) **U.S. Cl.**

USPC **D7/708.1**

(58) **Field of Classification Search**

USPC D6/546, 552, 672; D7/619.1, 620,
D7/701-708, 708.1; D9/434, 443, 455;
D32/58; D22/108, 109

CPC A47G 23/0208; A47J 47/16; A47J 47/20;
B32B 3/10

See application file for complete search history.

(56) **References Cited**

U.S. PATENT DOCUMENTS

D171,567 S *	2/1954	Zarzana	248/311.2
D232,633 S *	9/1974	Weast	D22/109
D239,114 S *	3/1976	Kraai	D22/109
D338,795 S *	8/1993	Huang	D6/552
D475,879 S *	6/2003	Thomas	D6/552
D559,050 S *	1/2008	Mungal	D7/704
D592,469 S *	5/2009	Goodman	D7/704
D632,112 S *	2/2011	Sakuma	D6/546
D663,562 S *	7/2012	Vanderwerf	D6/546
D680,782 S *	4/2013	Longo	D23/304
D705,572 S *	5/2014	Goodman	D6/546

OTHER PUBLICATIONS

Daily Mail. Want to bathe with a glass of wine and shower with a beer? Dec. 15, 2014 [earliest online date], [site visited Feb. 27,

2017]. Available from Internet, <URL:http://www.dailymail.co.uk/femail/article-2874389/Want-bathe-glass-wine-shower-beer-Portable-cup-holder-allows-people-enjoy-beverages-wash.html>.*
CG Trader. Ammunition Belt Free 3D Model. 2014 [earliest online date], [site visited Mar. 29, 2017]. Available from Internet, <URL:https://www.cgtrader.com/free-3d-models/military/other/ammunition-belt-cadc5ec64be94f3e60c8d3e5cc0c6051>.*
Teche Blog. Beer Belt Buckle. 2017 [earliest online date], site visited Mar. 29, 2017]. Available from Internet, <URL:http://www.techeblog.com/photo.phtml?post_key=160983&photo_key=38603>.*

* cited by examiner

Primary Examiner — Robert M. Spear
Assistant Examiner — Darcey E Heflin
(74) *Attorney, Agent, or Firm* — Faier & Faier P.C.;
James M. Faier

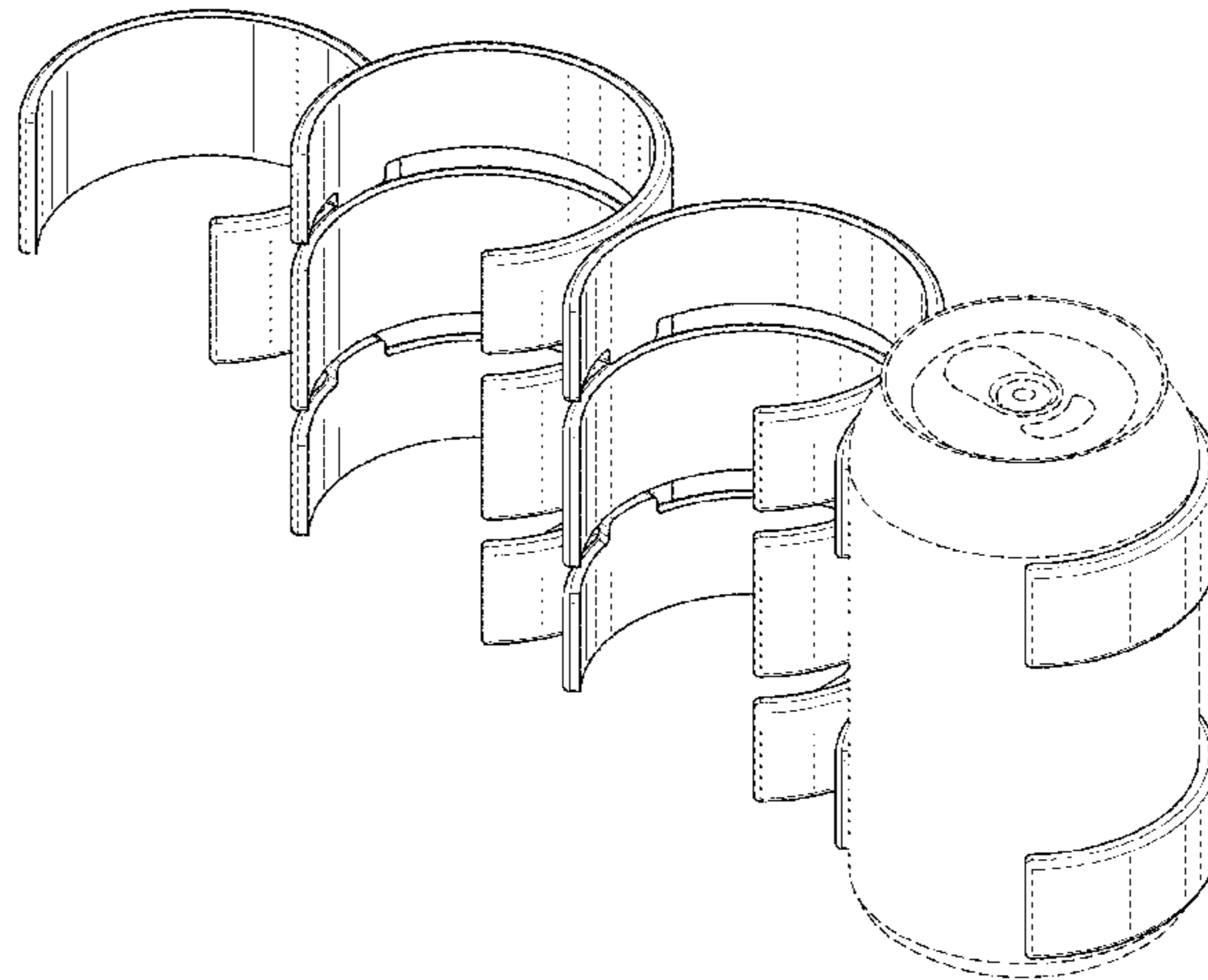
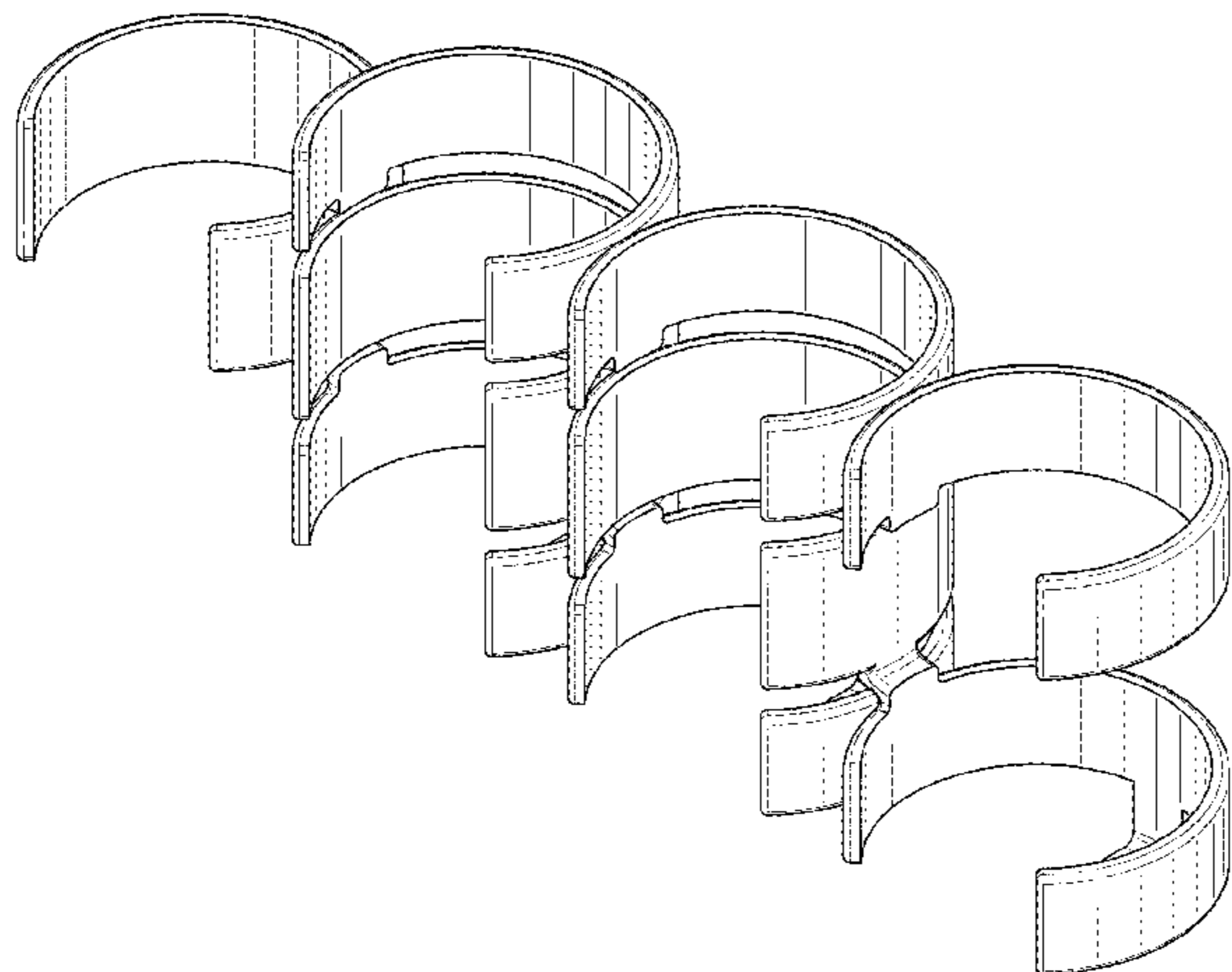
(57) **CLAIM**

The ornamental design for a beverage can holder, as shown and described.

DESCRIPTION

FIG. 1 is a perspective view of a beverage can holder, showing my new design;
FIG. 2 is a front elevational view thereof;
FIG. 3 is a back elevational view thereof;
FIG. 4 is a left side elevational view thereof;
FIG. 5 is a right side elevational view thereof;
FIG. 6 is a top plan view thereof;
FIG. 7 is a bottom plan view thereof; and,
FIG. 8 is a perspective view thereof in use.
In FIG. 8, the broken lines showing portions of a beverage can depict environment and form no part of the claim.

1 Claim, 7 Drawing Sheets



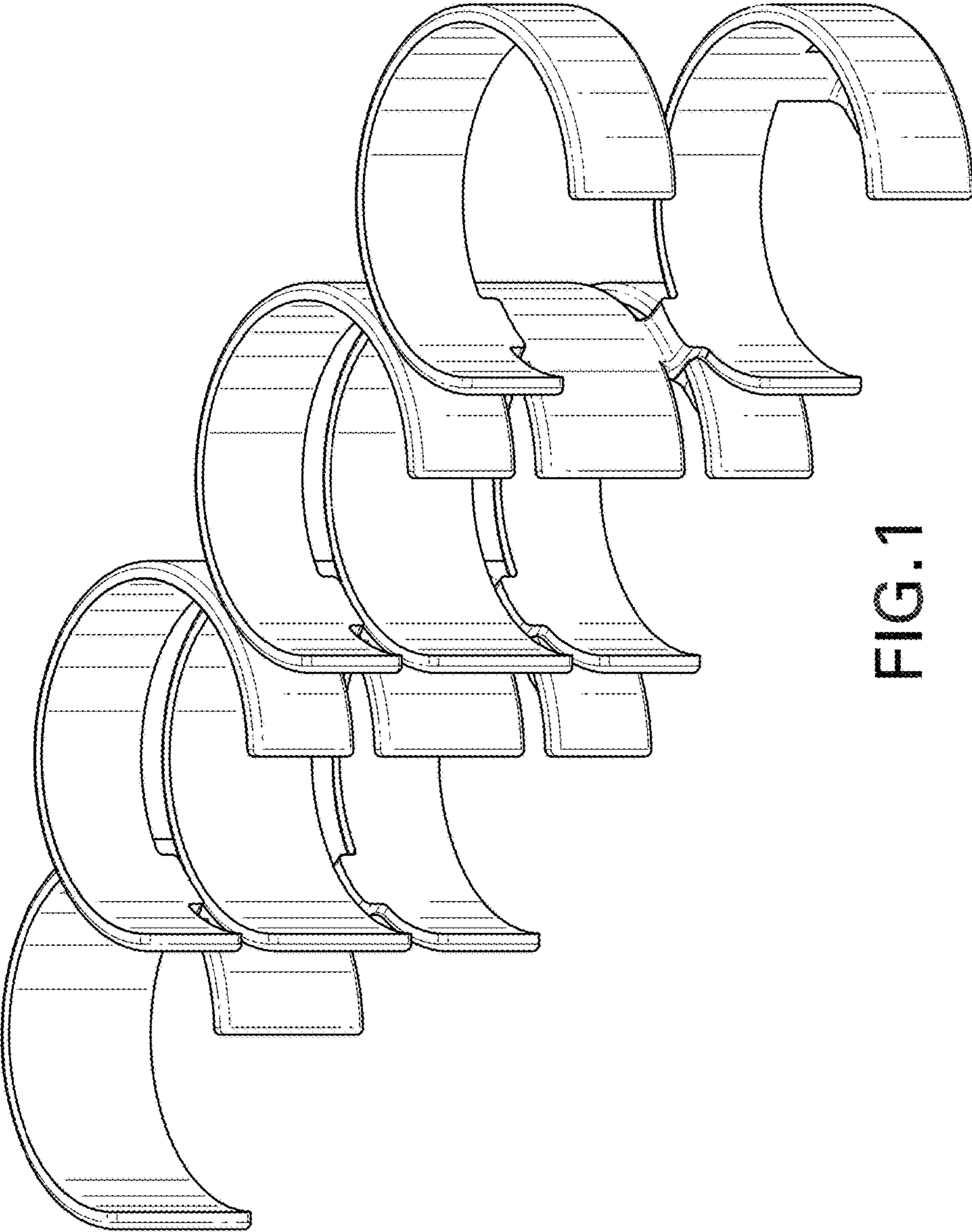


FIG. 1

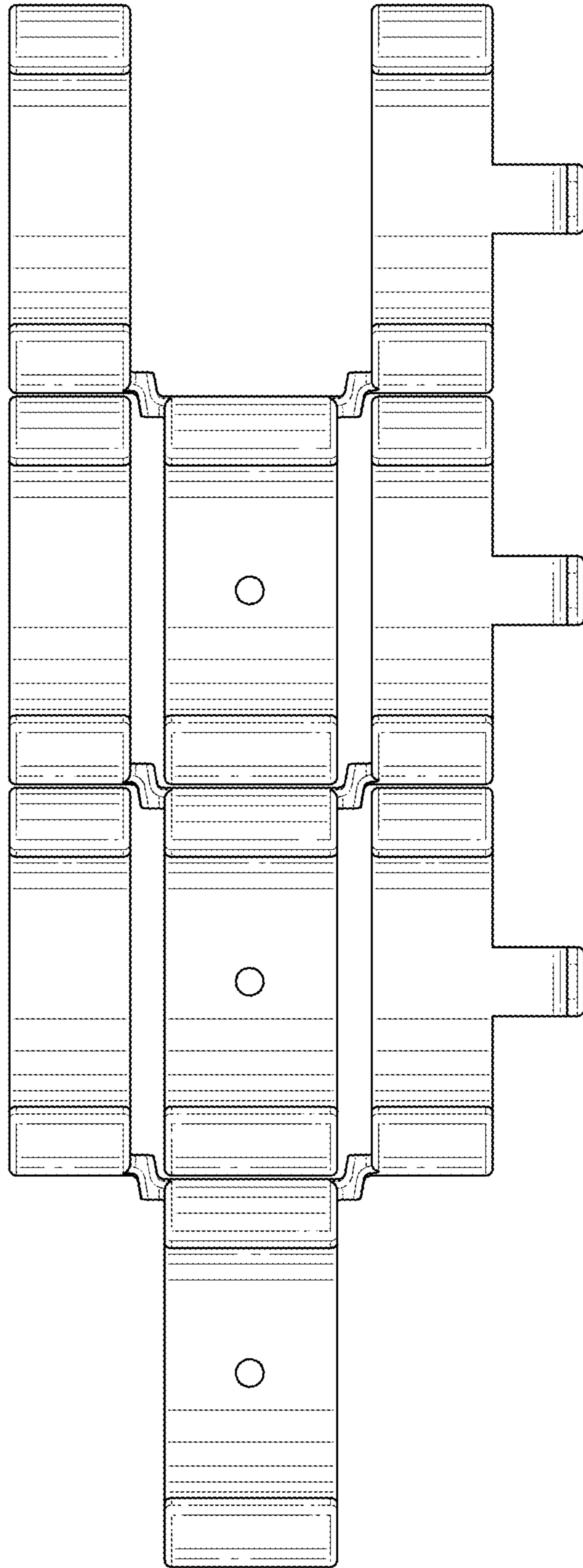


FIG. 2

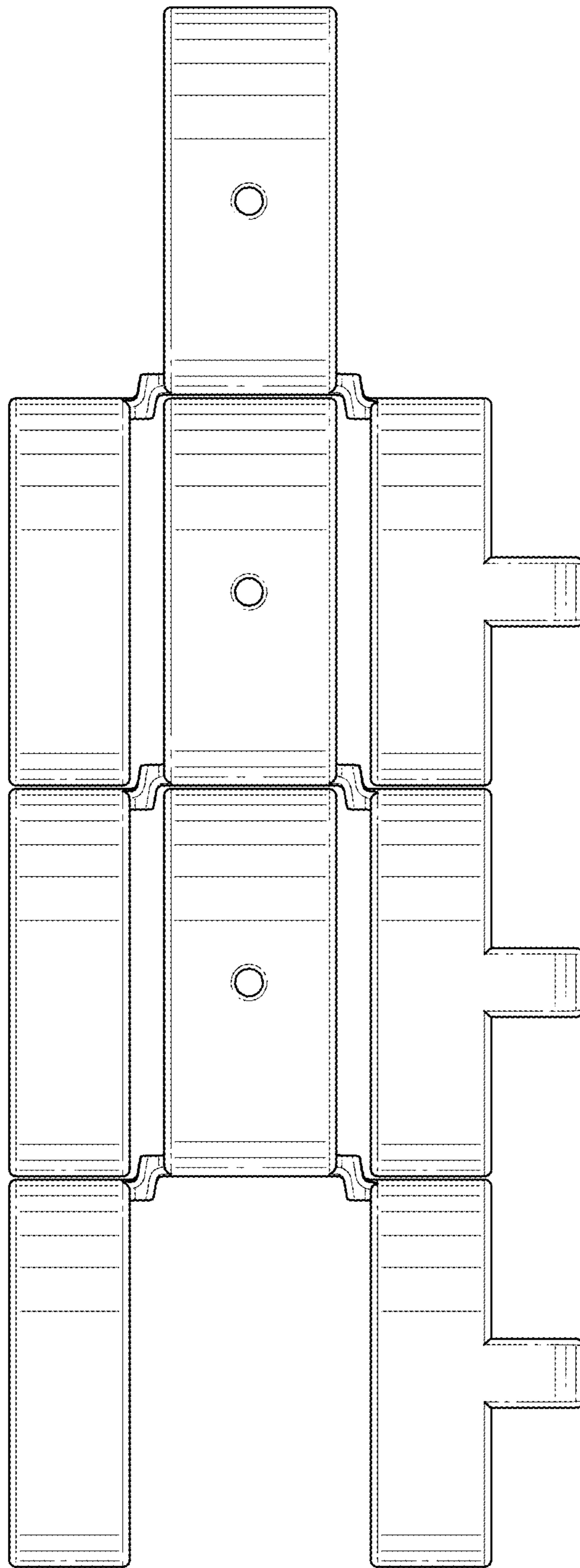


FIG. 3

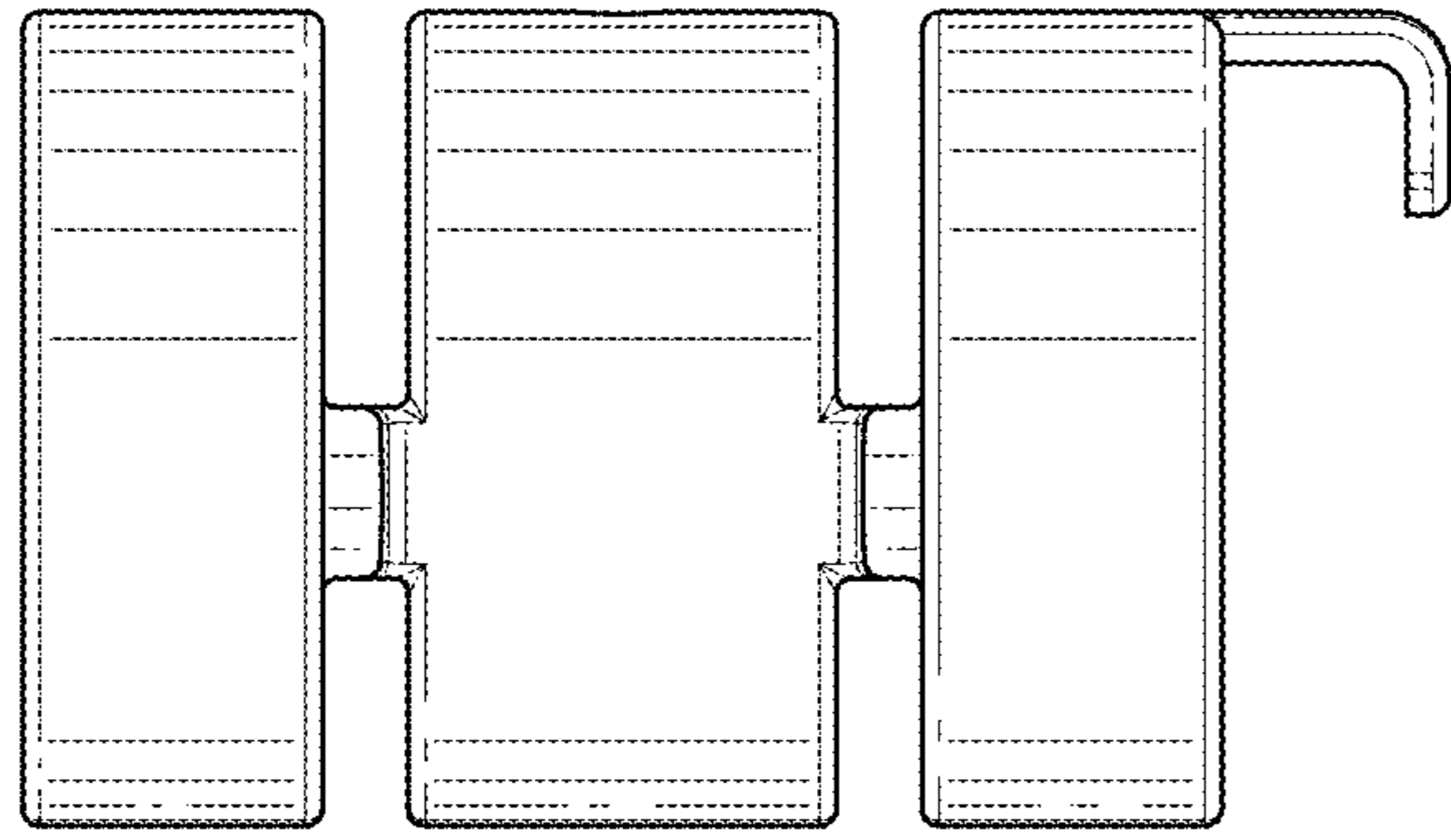


FIG. 5

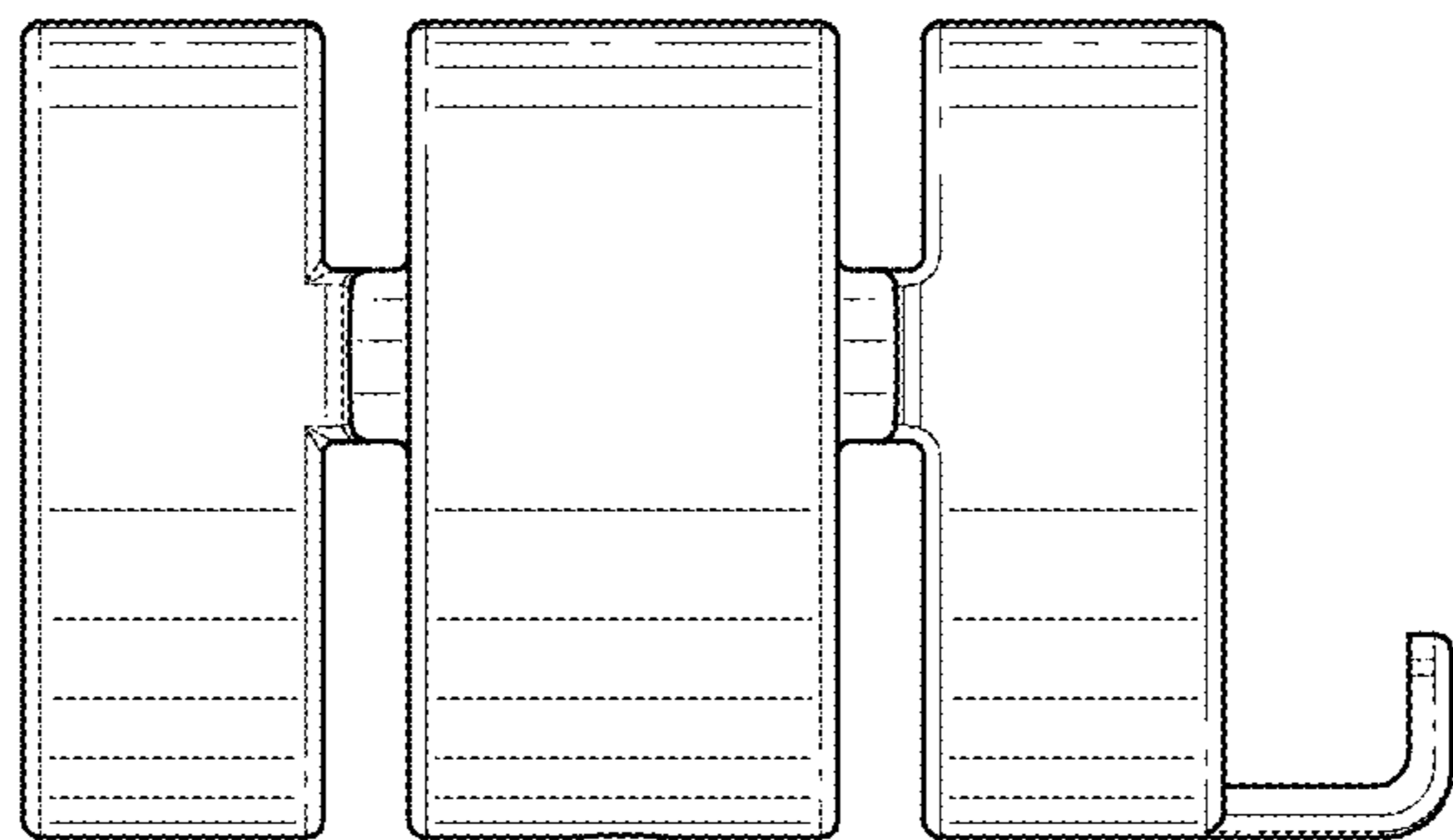


FIG. 4

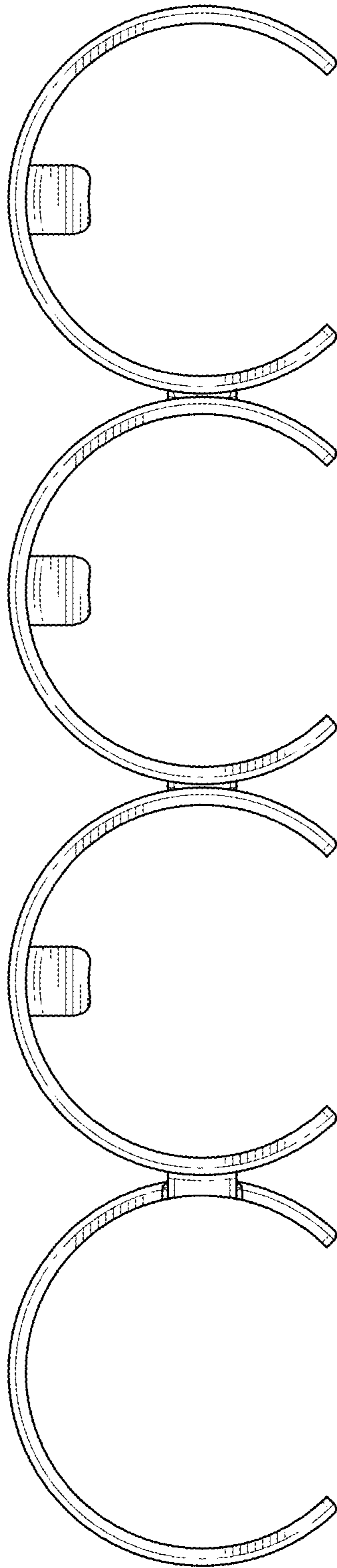


FIG. 6

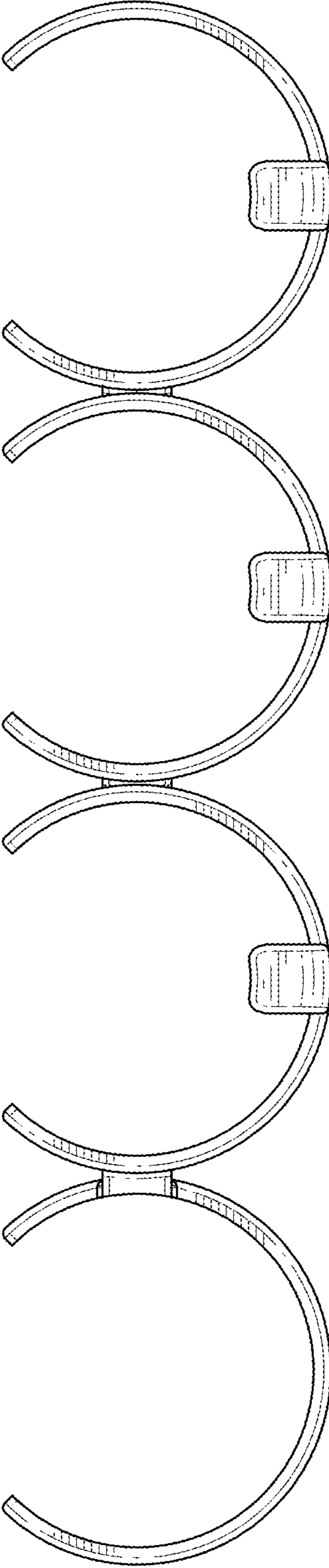


FIG. 7

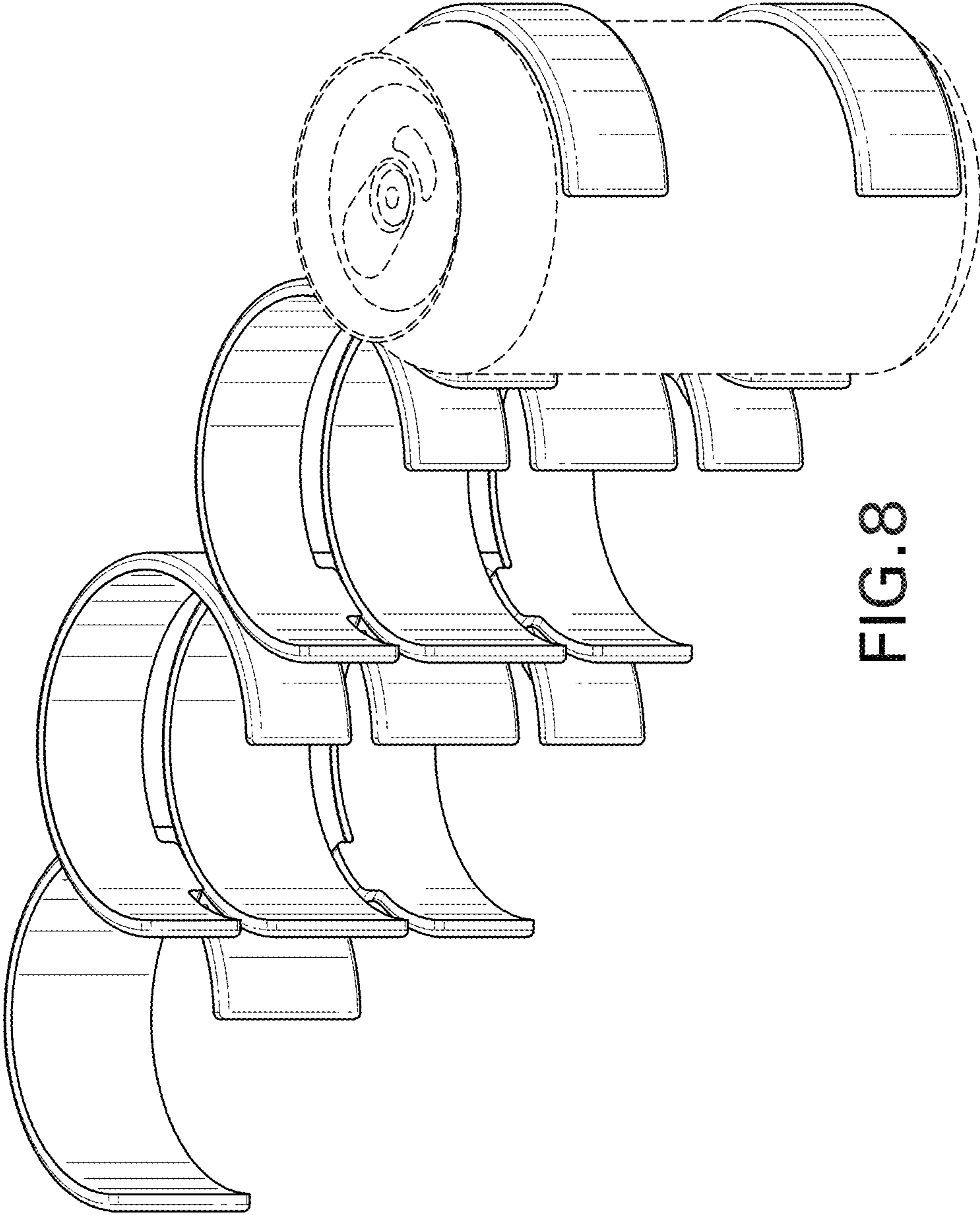


FIG. 8