



US00D812439S

(12) **United States Design Patent**
Wu

(10) **Patent No.:** **US D812,439 S**
(45) **Date of Patent:** **** Mar. 13, 2018**

- (54) **FRUIT KNIFE**
- (71) Applicant: **Shih-Piao Wu**, Changhua (TW)
- (72) Inventor: **Shih-Piao Wu**, Changhua (TW)
- (73) Assignee: **Jiin Haur Industrial Co. Ltd.**,
Changhua (TW)
- (**) Term: **15 Years**
- (21) Appl. No.: **29/585,324**
- (22) Filed: **Nov. 22, 2016**
- (51) **LOC (11) Cl.** **07-04**
- (52) **U.S. Cl.**
USPC **D7/693**
- (58) **Field of Classification Search**
USPC D7/368, 669-671, 680-696, 649, 650;
D22/118; D8/98-100, 105
See application file for complete search history.

- D253,511 S * 11/1979 Bogosian D7/693
- D330,827 S * 11/1992 Jarzynka D7/693
- D354,881 S * 1/1995 Huff 7/401.2
- D490,290 S * 5/2004 Norton D32/46
- D710,159 S * 8/2014 Platt 7/401.2
- D747,160 S * 1/2016 Makela D7/649
- D757,505 S * 5/2016 Wegwerth D7/693

* cited by examiner

Primary Examiner — Terry A Wallace
(74) *Attorney, Agent, or Firm* — Che-Yang Chen; Law
Offices of Scott Warmuth

(57) **CLAIM**

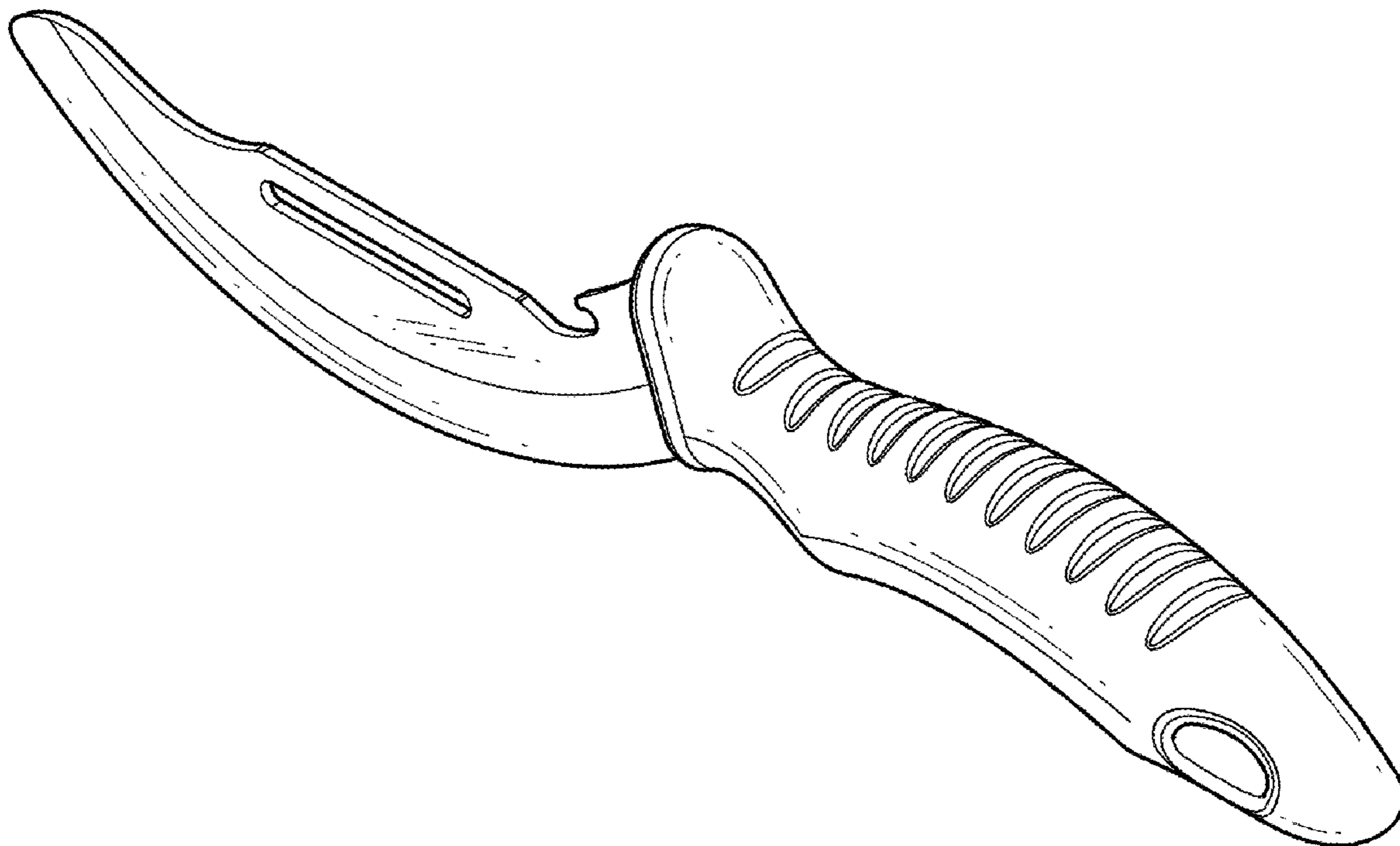
The ornamental design for a fruit knife, as shown and described.

DESCRIPTION

FIG. 1 is a perspective view of a fruit knife showing my new design;
FIG. 2 is a front elevational view thereof;
FIG. 3 is a rear elevational view thereof;
FIG. 4 is a left side elevational view thereof;
FIG. 5 is a right side elevational view thereof;
FIG. 6 is a top plan view thereof; and,
FIG. 7 is a bottom plan view thereof.

1 Claim, 4 Drawing Sheets

- (56) **References Cited**
U.S. PATENT DOCUMENTS
2,497,342 A * 2/1950 Brustolon A47G 19/28
30/344
D229,662 S * 12/1973 Friedman 30/144



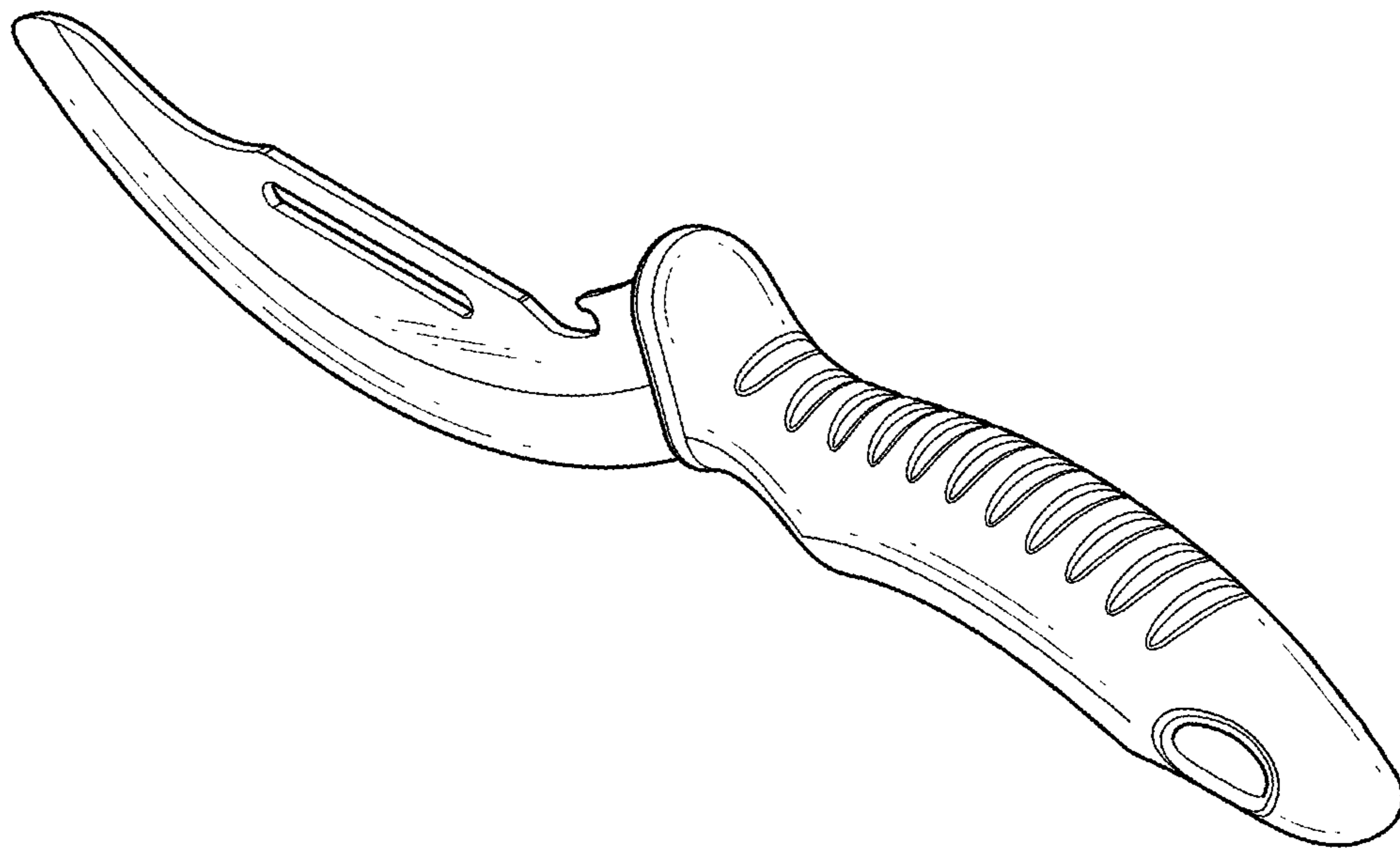


FIG. 1

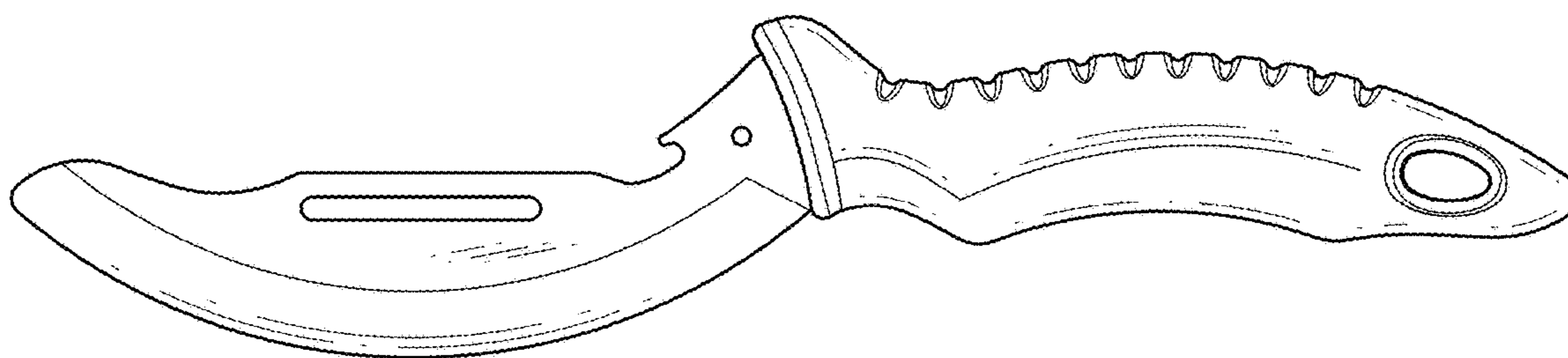


FIG. 2

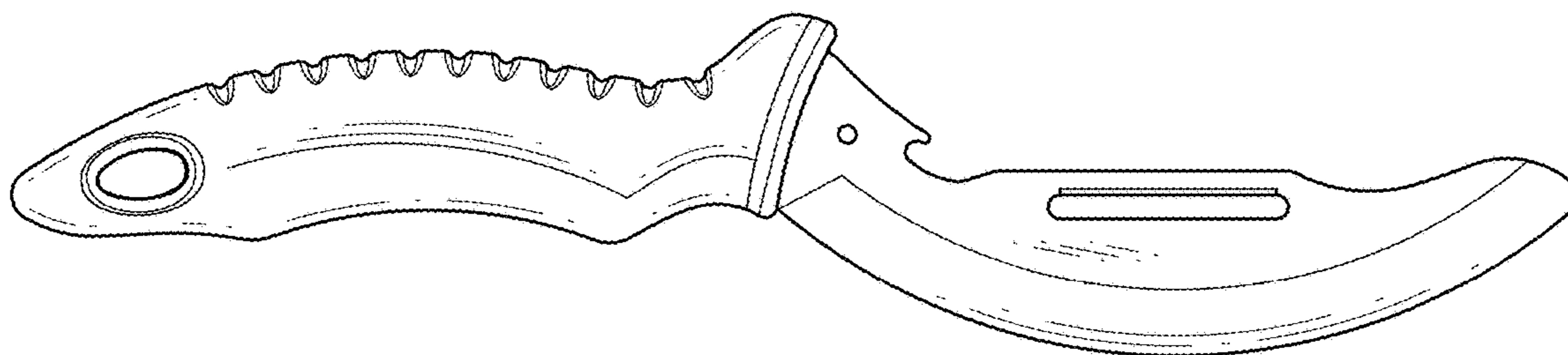


FIG. 3

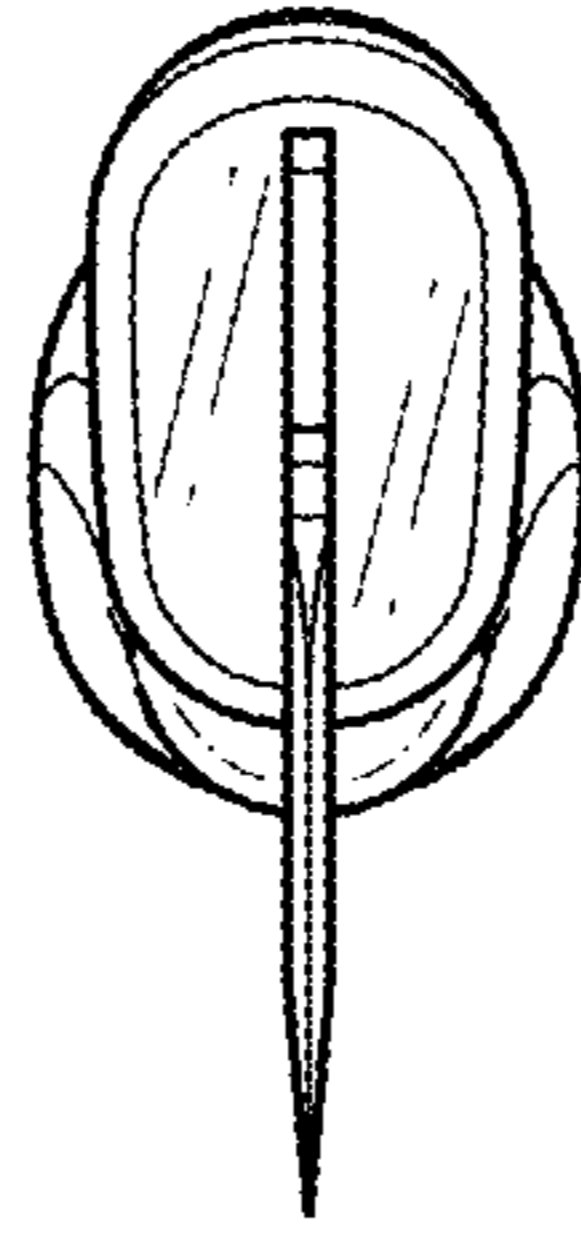


FIG. 4

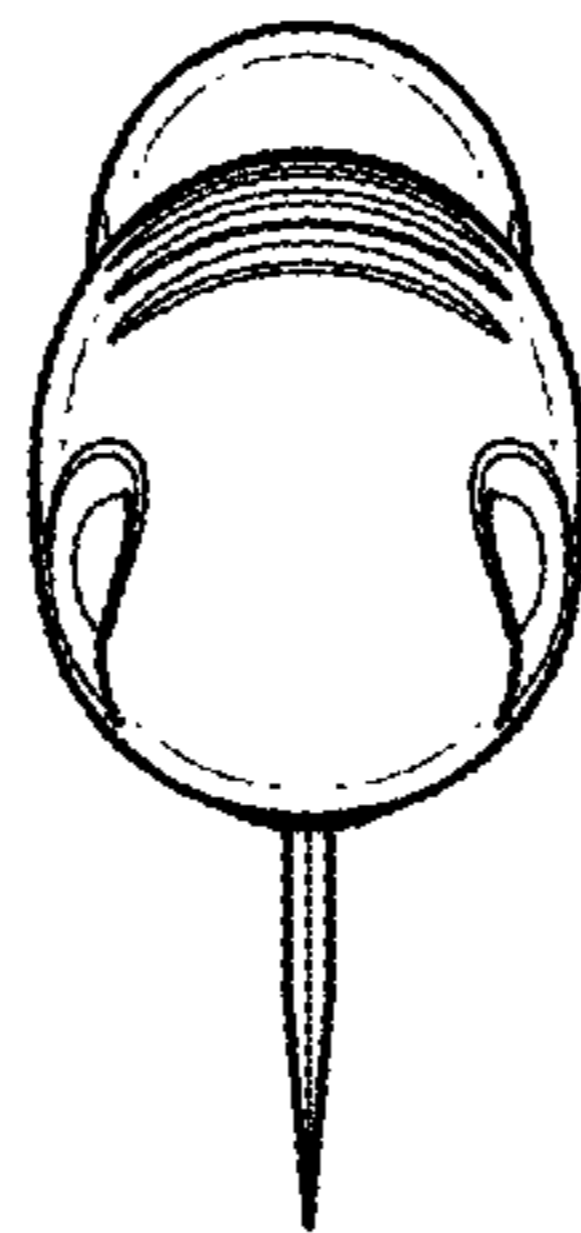


FIG. 5

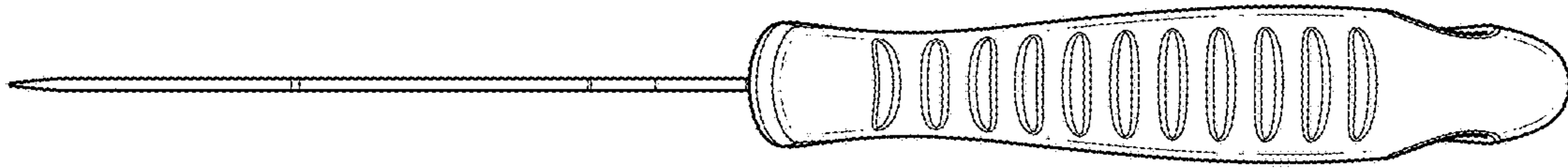


FIG. 6

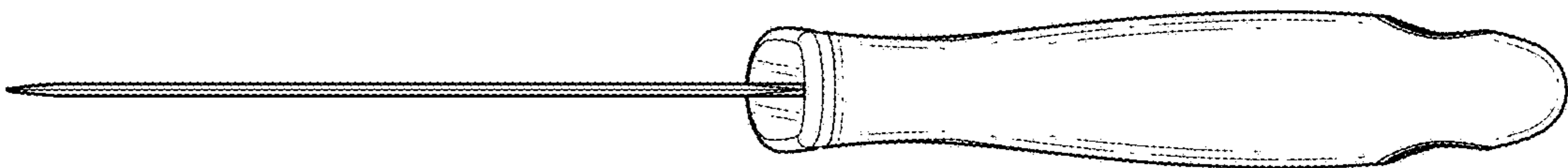


FIG. 7