



US00D812438S

(12) **United States Design Patent**
Jauer

(10) **Patent No.:** **US D812,438 S**
(45) **Date of Patent:** **** Mar. 13, 2018**

- (54) **SLICER**
- (71) Applicant: **Rollex ApS**, Esbjerg (DK)
- (72) Inventor: **Sten Jauer**, Copenhagen (DK)
- (73) Assignee: **ROLLEX APS**, Esbjerg (DK)
- (**) Term: **15 Years**
- (21) Appl. No.: **29/580,793**
- (22) Filed: **Oct. 13, 2016**
- (51) **LOC (11) Cl.** **07-04**
- (52) **U.S. Cl.**
USPC **D7/693**
- (58) **Field of Classification Search**
USPC D7/368, 669-671, 680-696, 393, 395
CPC B26B 3/03; B26B 27/00; A47J 17/02
See application file for complete search history.

- 2,791,026 A * 5/1957 Byrd B26B 3/03
30/115
- 2,804,686 A * 9/1957 Peckhover B26B 3/03
30/115
- 3,328,877 A * 7/1967 Brown A47J 17/02
30/142
- 4,628,603 A * 12/1986 Frost B26B 3/03
30/280
- D516,880 S * 3/2006 Fort D7/695

* cited by examiner

Primary Examiner — Terry A Wallace

(74) *Attorney, Agent, or Firm* — Hauptman Ham, LLP

(57) **CLAIM**

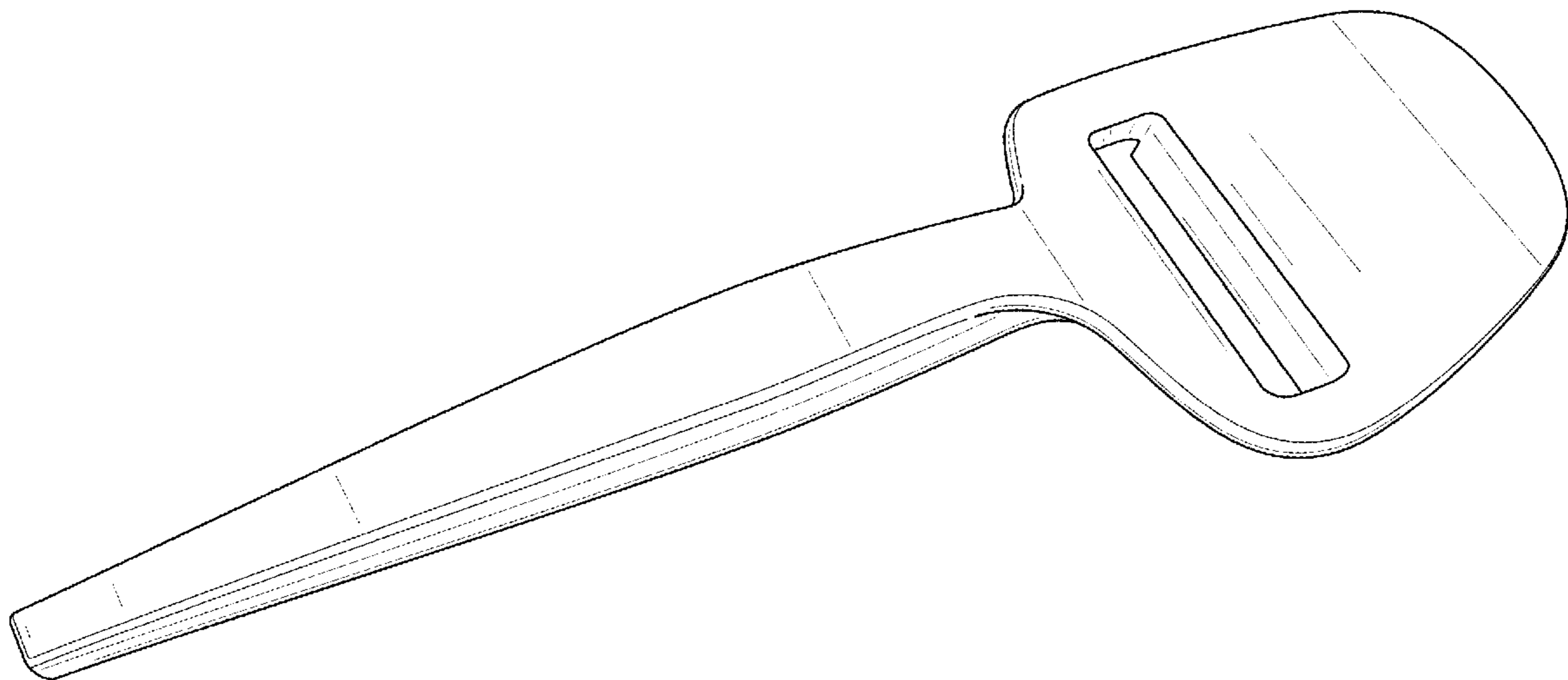
The ornamental design for a slicer, as shown.

DESCRIPTION

FIG. 1 is a top perspective view of a slicer;
FIG. 2 is a bottom perspective view thereof;
FIG. 3 is a front view thereof;
FIG. 4 is a rear view thereof;
FIG. 5 is a right side view thereof;
FIG. 6 is a left side view thereof;
FIG. 7 is a top view thereof; and,
FIG. 8 is a bottom view thereof.

1 Claim, 6 Drawing Sheets

- (56) **References Cited**
U.S. PATENT DOCUMENTS
1,156,652 A * 10/1915 Aiken B26B 27/00
30/279.6
1,668,478 A * 5/1928 Anderson B26B 3/03
30/280



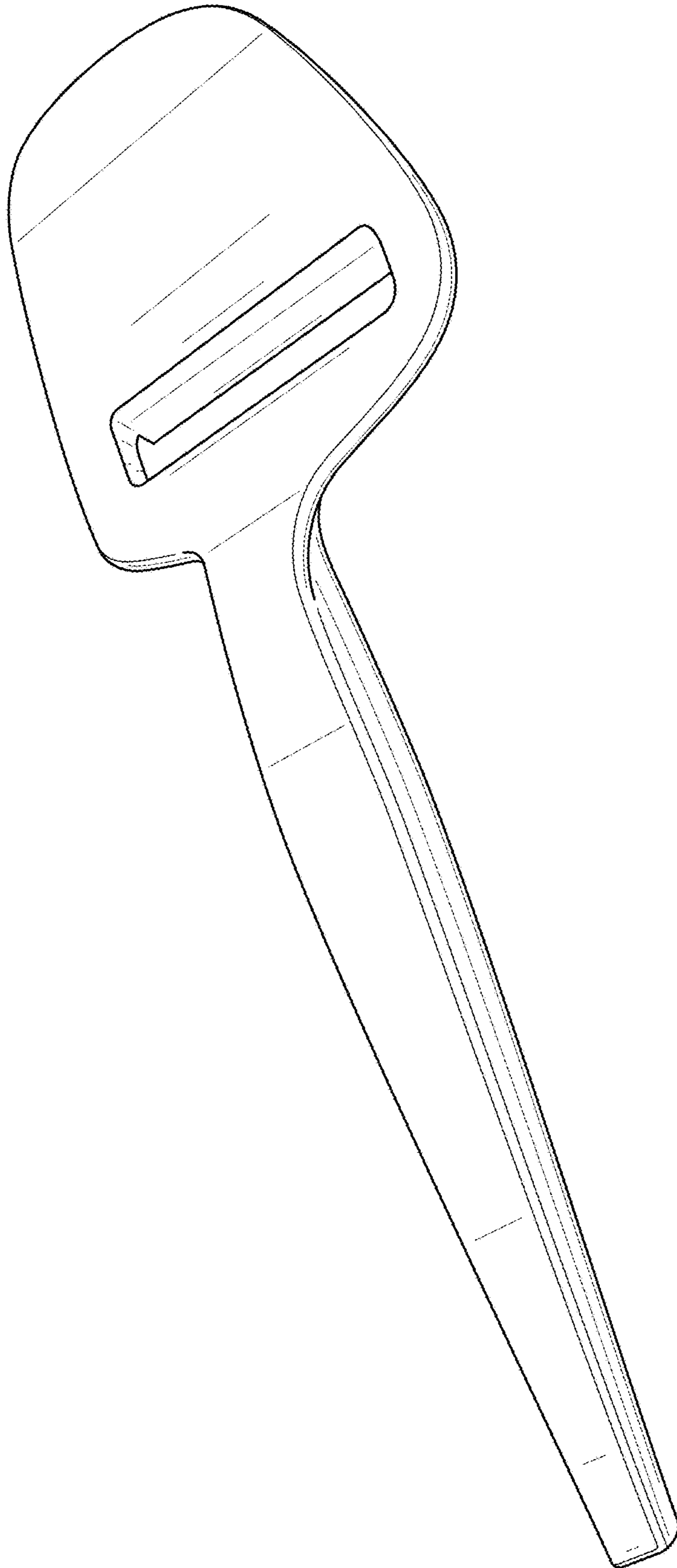


FIG. 1

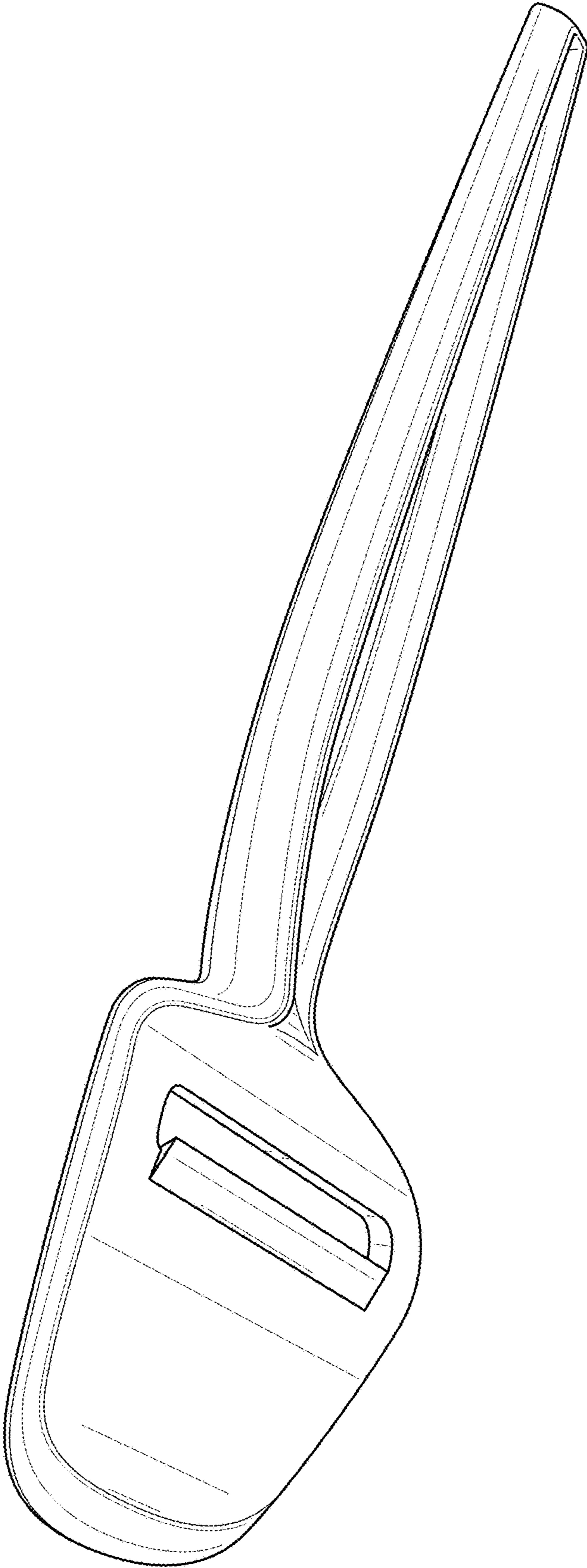


FIG. 2

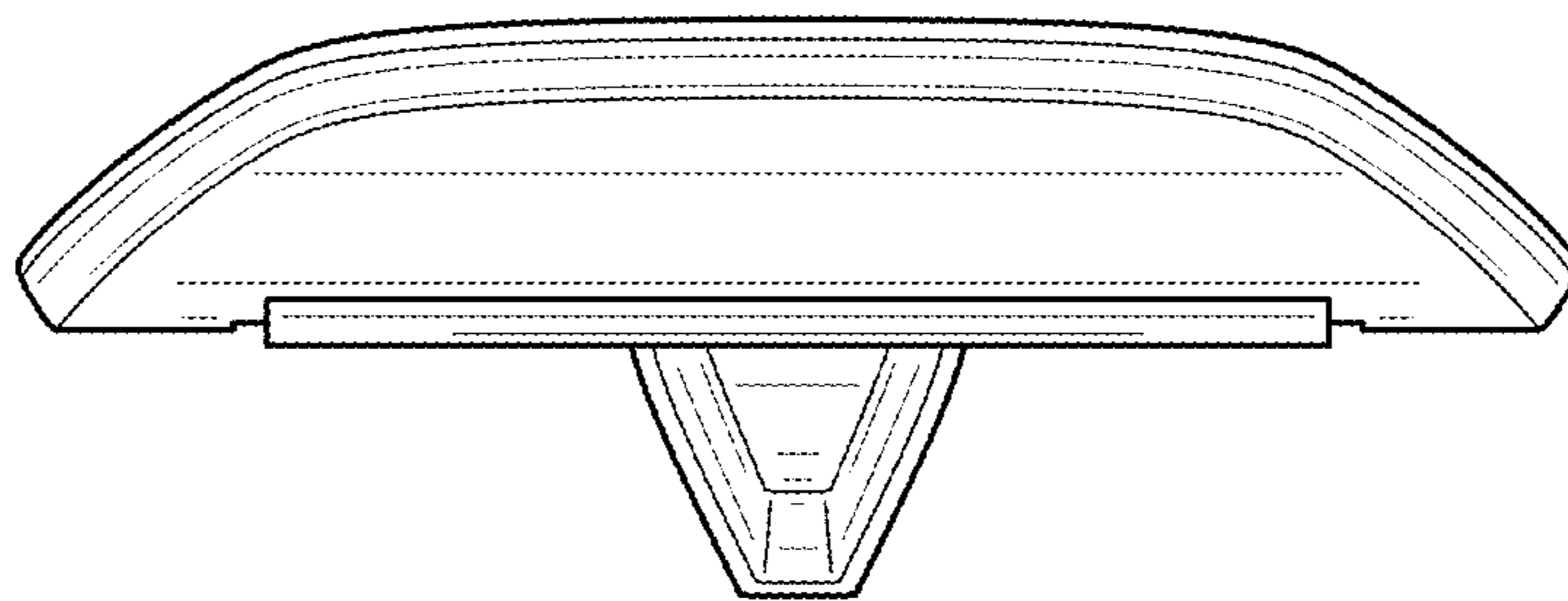


FIG. 3

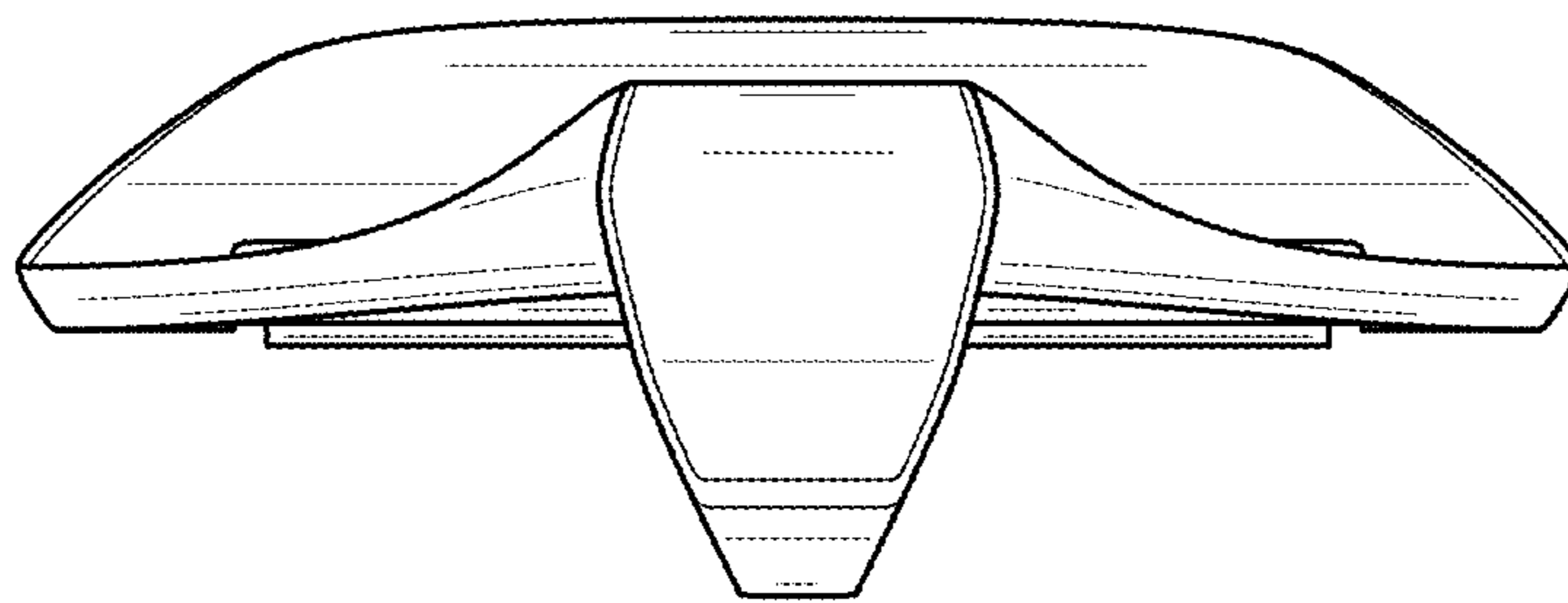


FIG. 4

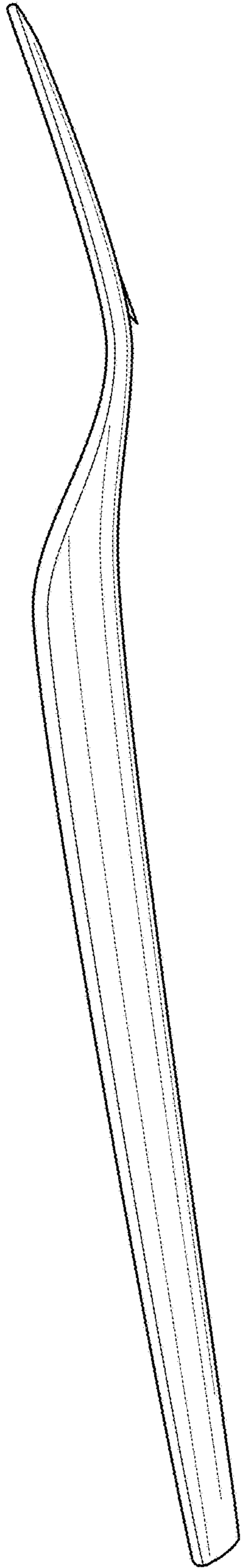


FIG. 5

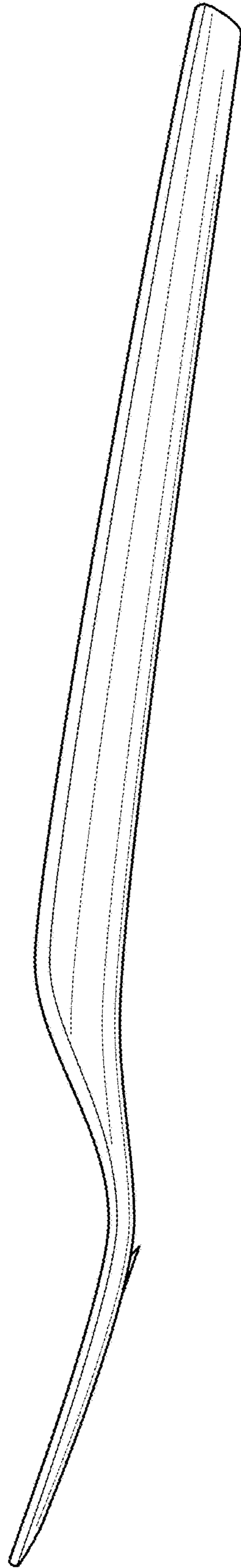


FIG. 6

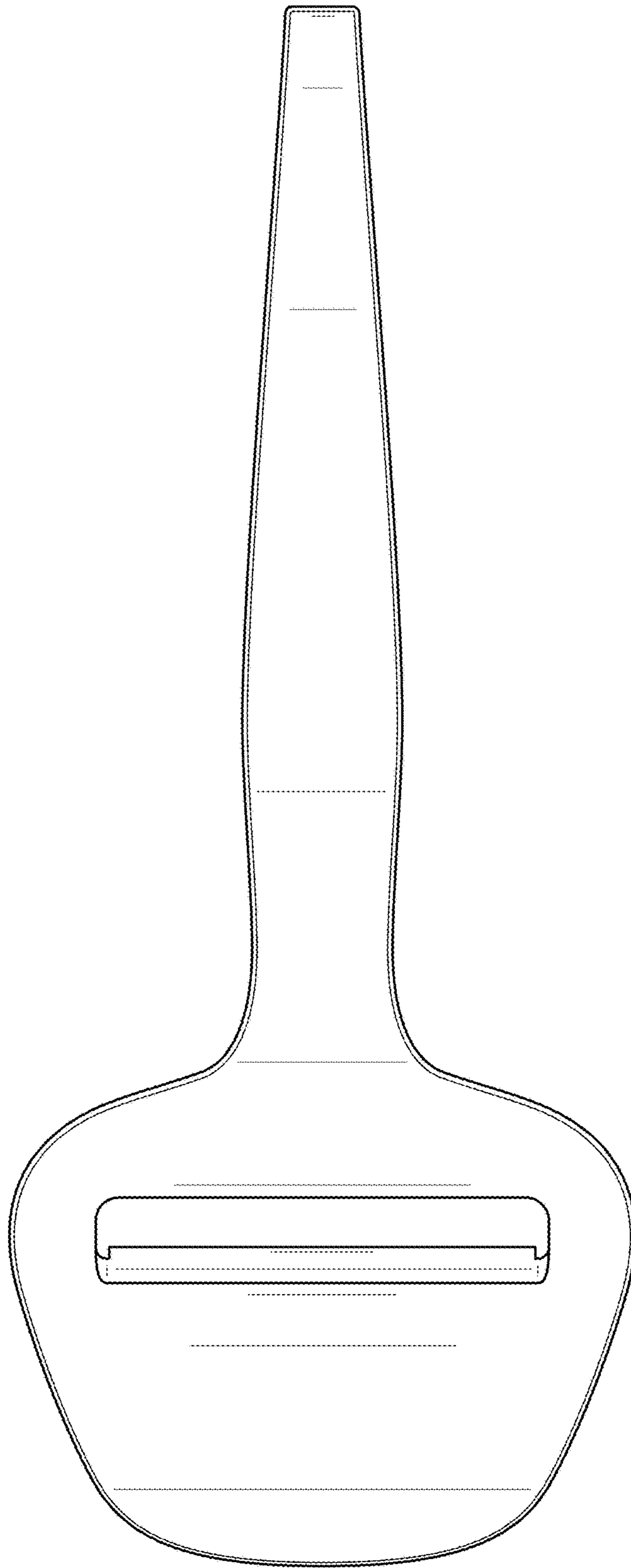


FIG. 7

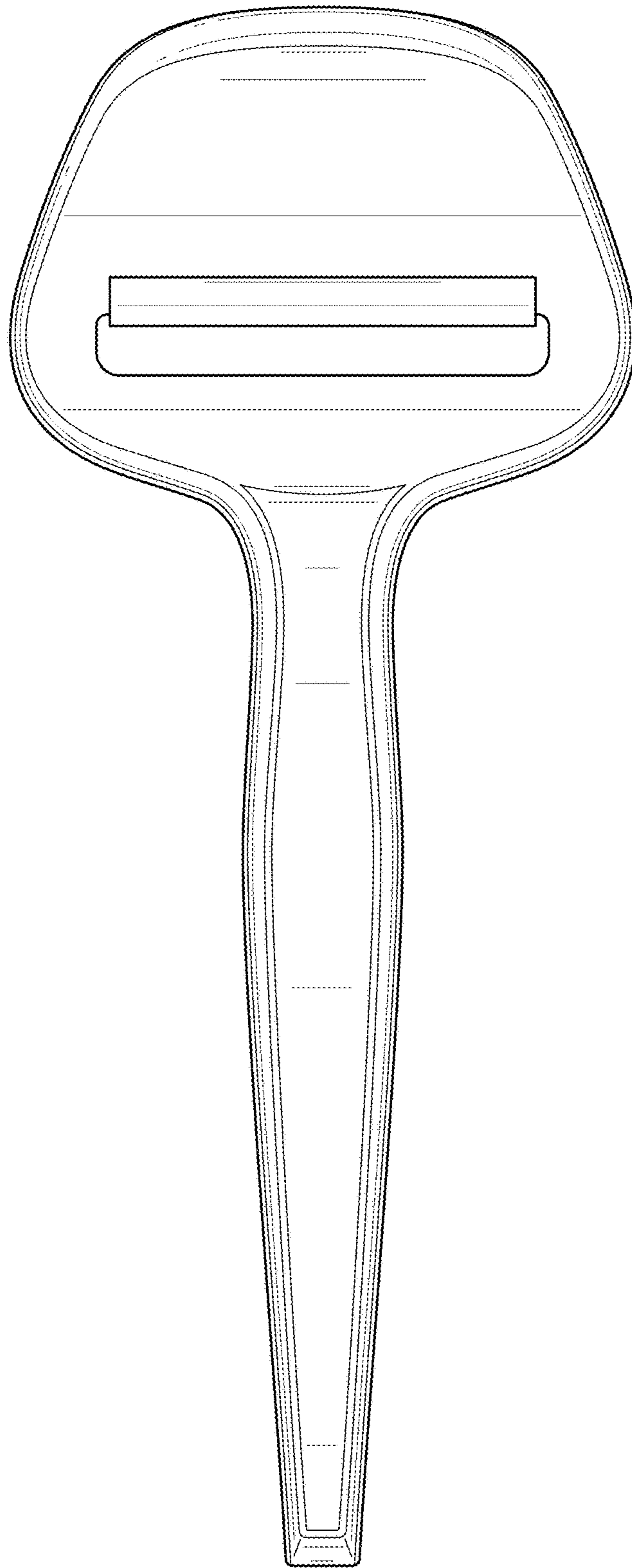


FIG. 8