



US00D812437S

(12) **United States Design Patent**
Patel

(10) **Patent No.:** **US D812,437 S**

(45) **Date of Patent:** **** Mar. 13, 2018**

- (54) **FOOD DICER ASSEMBLY**
- (71) Applicant: **Priyesh H. Patel**, Wilmington, DE (US)
- (72) Inventor: **Priyesh H. Patel**, Wilmington, DE (US)
- (**) Term: **15 Years**
- (21) Appl. No.: **29/546,434**
- (22) Filed: **Nov. 23, 2015**
- (51) **LOC (11) Cl.** **07-04**
- (52) **U.S. Cl.**
USPC **D7/674**
- (58) **Field of Classification Search**
USPC D7/672-679, 693-696, 412, 381-385;
83/856; 99/537
CPC B26D 3/283; B26D 3/26; B26D 3/185;
B26D 3/03; B26D 3/11; B26D 1/553;
B26D 29/063; B26D 2003/285-2003/288;
B26D 7/00; B26D 7/01; B26D 2210/02;
A47J 25/00; A47J 43/25
See application file for complete search history.

- D543,422 S * 5/2007 Kaposi D7/674
- D573,853 S * 7/2008 Ericsson D7/672
- D589,309 S * 3/2009 Olivari D7/672
- D651,483 S * 1/2012 Bagley D7/673
- 2006/0101973 A1* 5/2006 Repac B26D 3/185
83/651
- 2010/0199823 A1* 8/2010 Dalla Piazza B26D 3/283
83/437.2
- 2016/0075043 A1* 3/2016 Cotter B26D 3/185
83/167
- 2016/0193744 A1* 7/2016 Patel B26D 3/26
83/167

* cited by examiner

Primary Examiner — Susan Bennett Hattan
Assistant Examiner — Brett Miller
 (74) *Attorney, Agent, or Firm* — Mitchell Law PLLC;
 Matthew W. Mitchell

(57) **CLAIM**

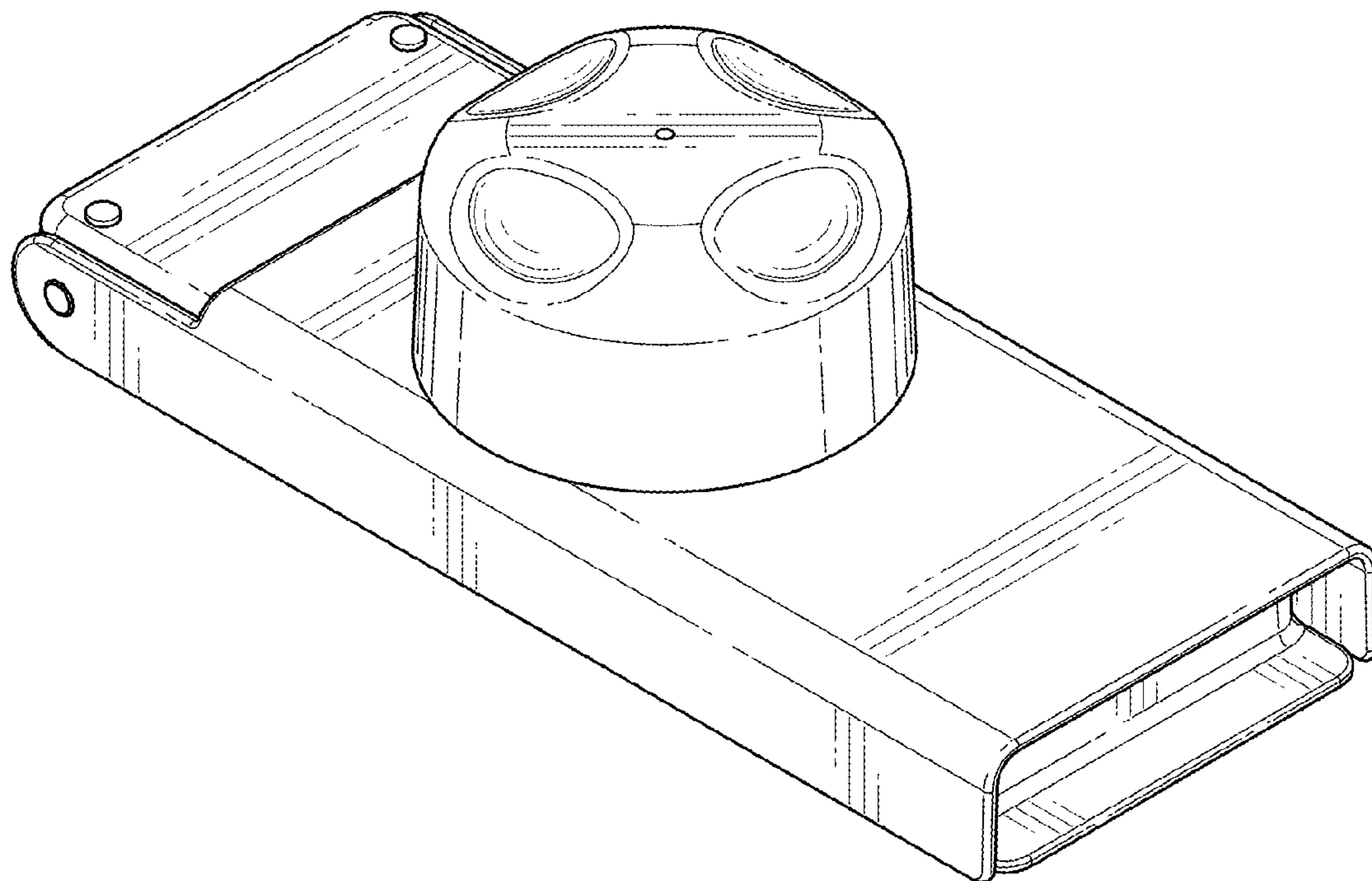
The ornamental design for a food dicer assembly, as shown.

DESCRIPTION

FIG. 1 is a front perspective view of the food dicer assembly of the present invention;
 FIG. 2 is a left side view of the invention of FIG. 1, the right side view being a mirror image thereof;
 FIG. 3 is a top plan view in elevation of the invention of FIG. 1;
 FIG. 4 is a front view of the invention of FIG. 1; and,
 FIG. 5 is a back view of the invention of FIG. 1.

1 Claim, 3 Drawing Sheets

- (56) **References Cited**
U.S. PATENT DOCUMENTS
- 1,979,199 A * 10/1934 Haynes B26D 3/185
30/303
- 2,166,624 A * 7/1939 Cohn B26D 1/553
83/466.1
- 5,312,054 A * 5/1994 Feer A47J 43/25
241/273.2
- D354,886 S * 1/1995 Diefenbach D7/678
- D499,615 S * 12/2004 Nordgren D7/674



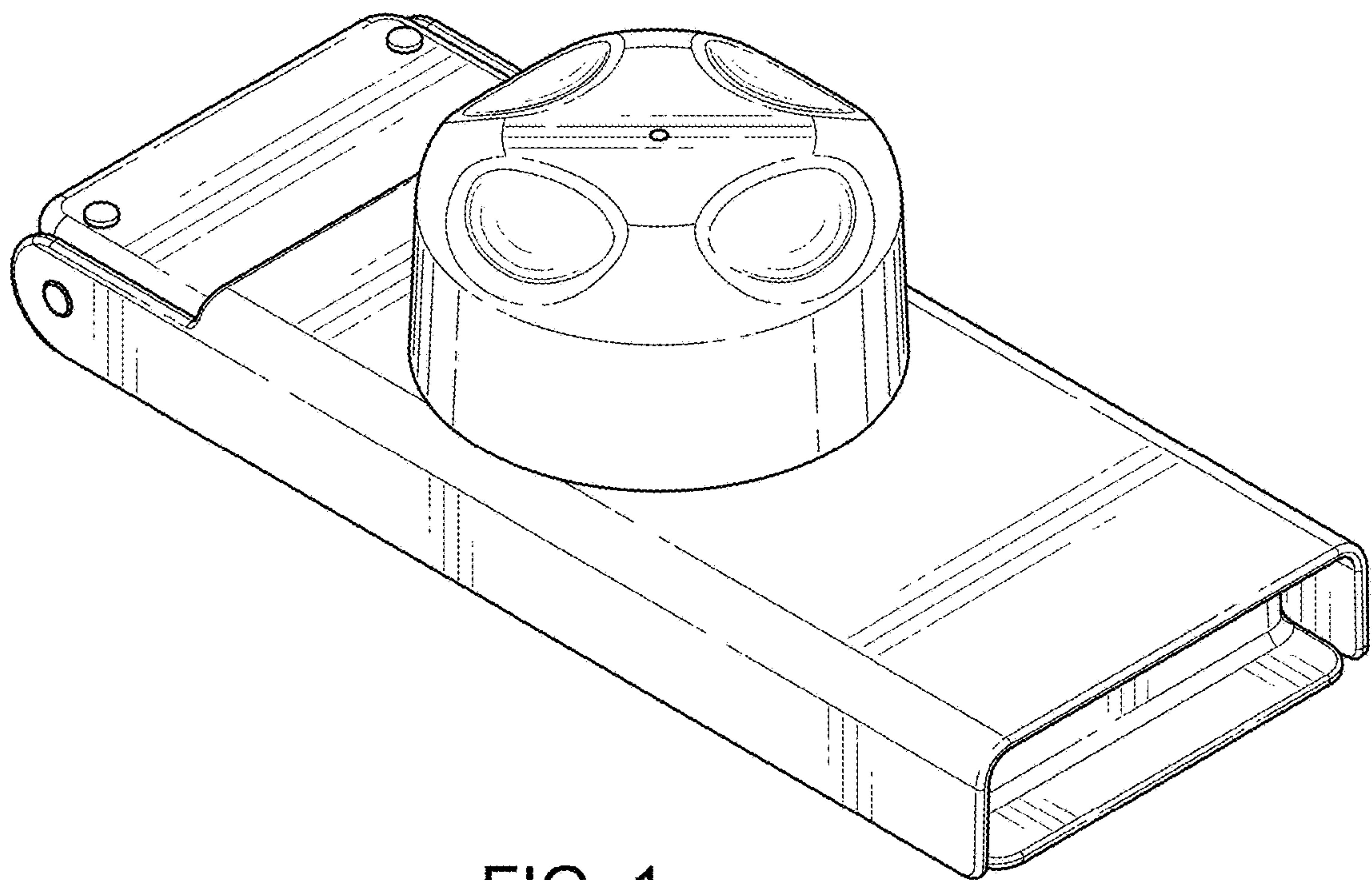


FIG. 1

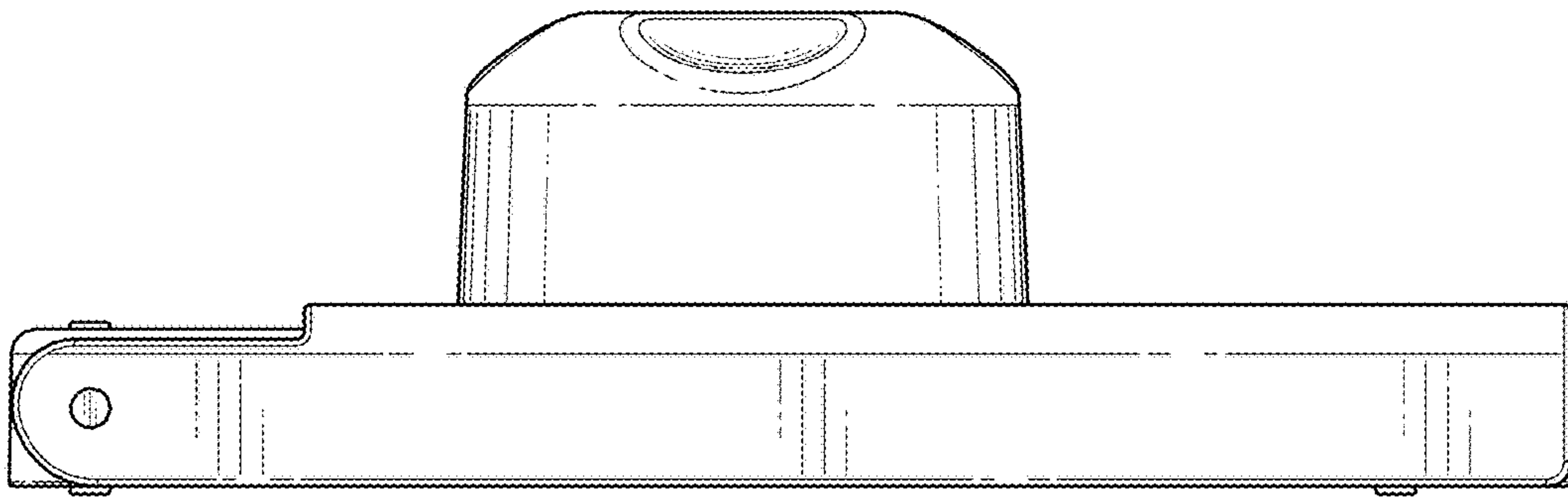


FIG. 2

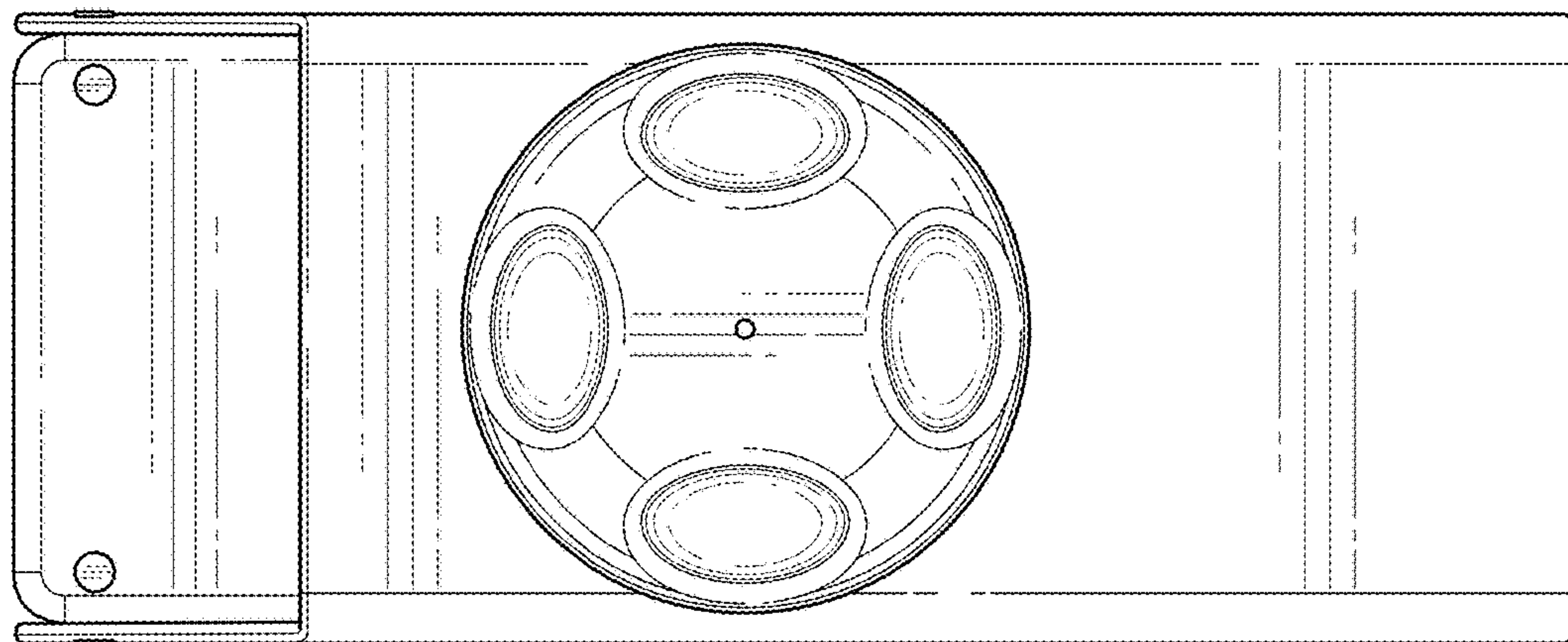


FIG. 3

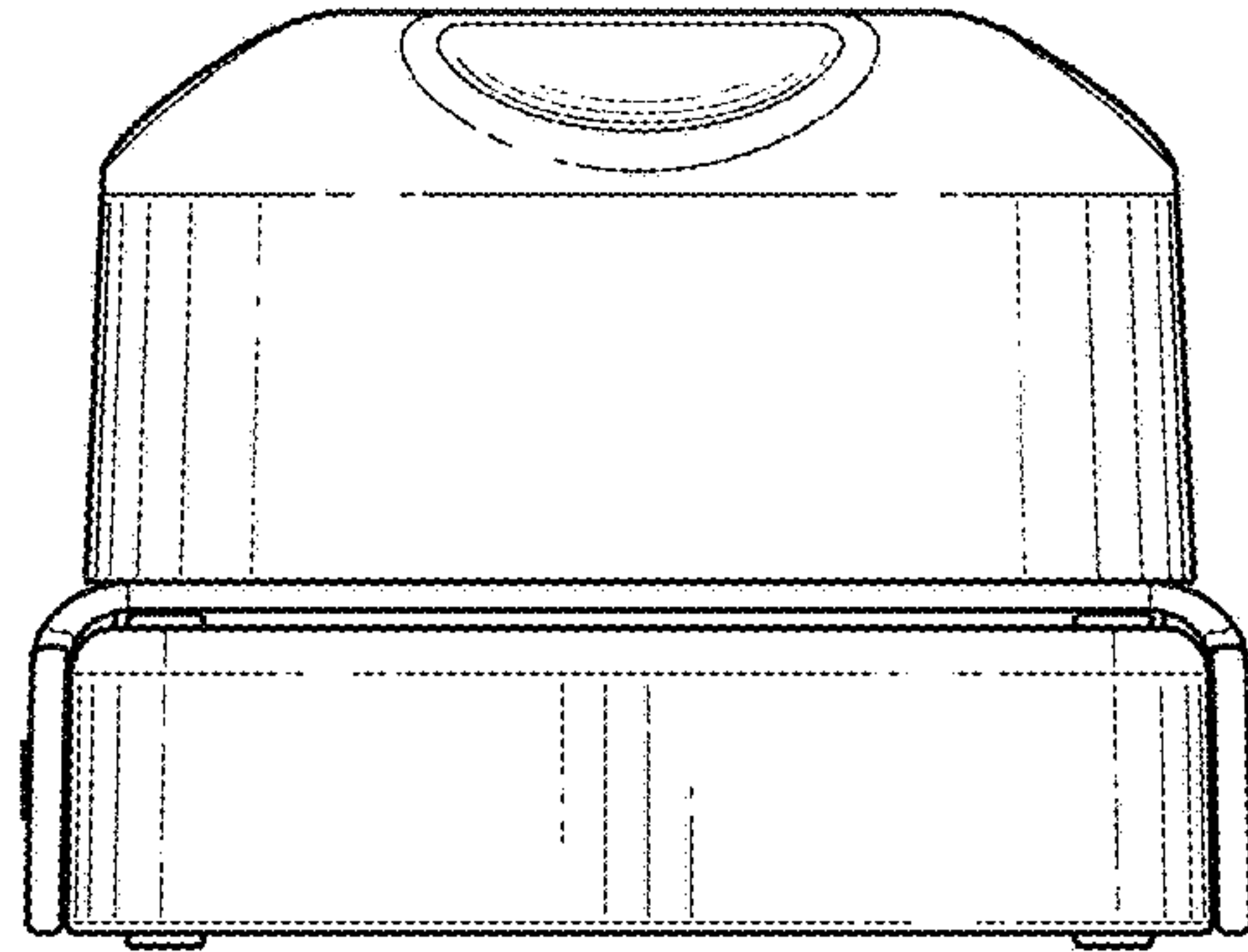


FIG. 4

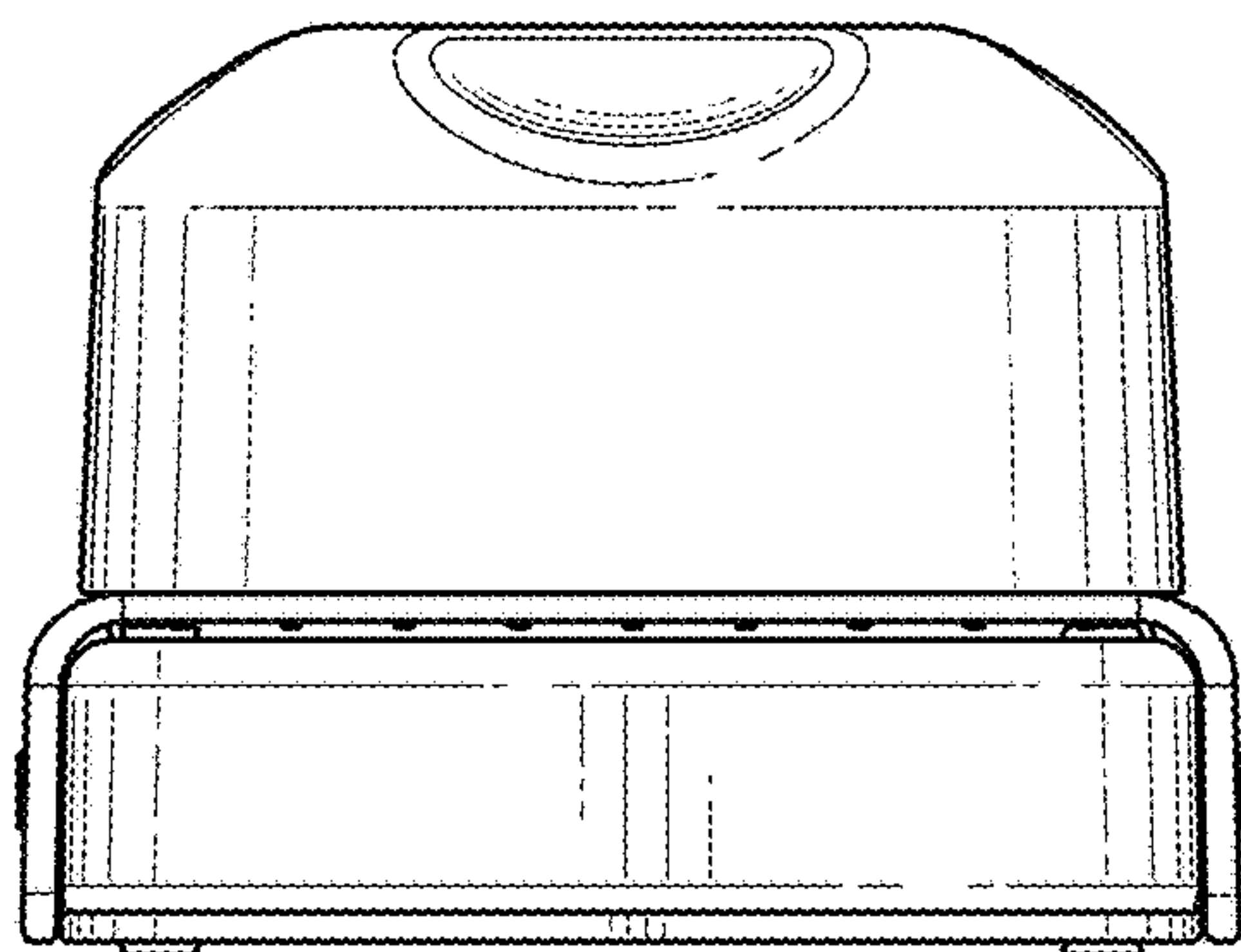


FIG. 5