



US00D812436S

(12) **United States Design Patent**
Cabrita

(10) **Patent No.:** **US D812,436 S**
(45) **Date of Patent:** **** Mar. 13, 2018**

(54) **FINGER PROTECTOR FOR MANDOLINE**

(71) Applicant: **Dart Industries Inc.**, Orlando, FL (US)

(72) Inventor: **José Cabrita**, Brussels (BE)

(73) Assignee: **Dart Industries Inc.**, Orlando, FL (US)

(**) Term: **15 Years**

(21) Appl. No.: **29/592,764**

(22) Filed: **Feb. 2, 2017**

(51) **LOC (11) Cl.** **07-04**

(52) **U.S. Cl.**
USPC **D7/669**; D7/673

(58) **Field of Classification Search**
USPC D7/381, 383, 387, 669, 672, 673
CPC B26D 7/22; Y10S 83/01; Y10S 83/6588;
Y10S 83/8723; Y10S 83/9498
See application file for complete search history.

(56) **References Cited**

U.S. PATENT DOCUMENTS

- 5,664,474 A * 9/1997 Punt A47J 47/005
269/290
- D485,136 S * 1/2004 Golden D7/667
- D517,753 S * 3/2006 Northrop D30/161
- D584,863 S * 1/2009 Garry D30/158
- D615,450 S * 5/2010 Cherem D11/143
- D625,567 S 10/2010 Wong
- 7,984,554 B2 * 7/2011 Aby-Eva A47J 9/003
30/116
- D651,483 S * 1/2012 Bagley D7/673
- D699,903 S * 2/2014 Singer D30/159
- D724,904 S * 3/2015 Chinon D7/672
- D765,461 S * 9/2016 Palmer D7/368
- D767,953 S * 10/2016 Yamamoto D7/669
- D779,934 S * 2/2017 Parikh D9/425
- D782,197 S * 3/2017 Kern D4/127
- D792,034 S * 7/2017 Dornbierer D30/158

- D797,297 S * 9/2017 Martin D24/187
- 2009/0193983 A1 * 8/2009 So B26D 1/0006
99/537
- 2012/0227593 A1 * 9/2012 Megdal A47J 43/28
99/567

(Continued)

FOREIGN PATENT DOCUMENTS

JP D2000-9853 * 4/2000

OTHER PUBLICATIONS

Swissmar Borner Food Safety Holder. Online, published date unknown. Retrieved on Dec. 18, 2017 from URL: https://www.kitchenniche.ca/swissmar-borner-food-safety-holder-p-946.html?currency=USD.*

(Continued)

Primary Examiner — Vy N Koenig
Assistant Examiner — Omeed Agilee
(74) *Attorney, Agent, or Firm* — Taylor J. Ross

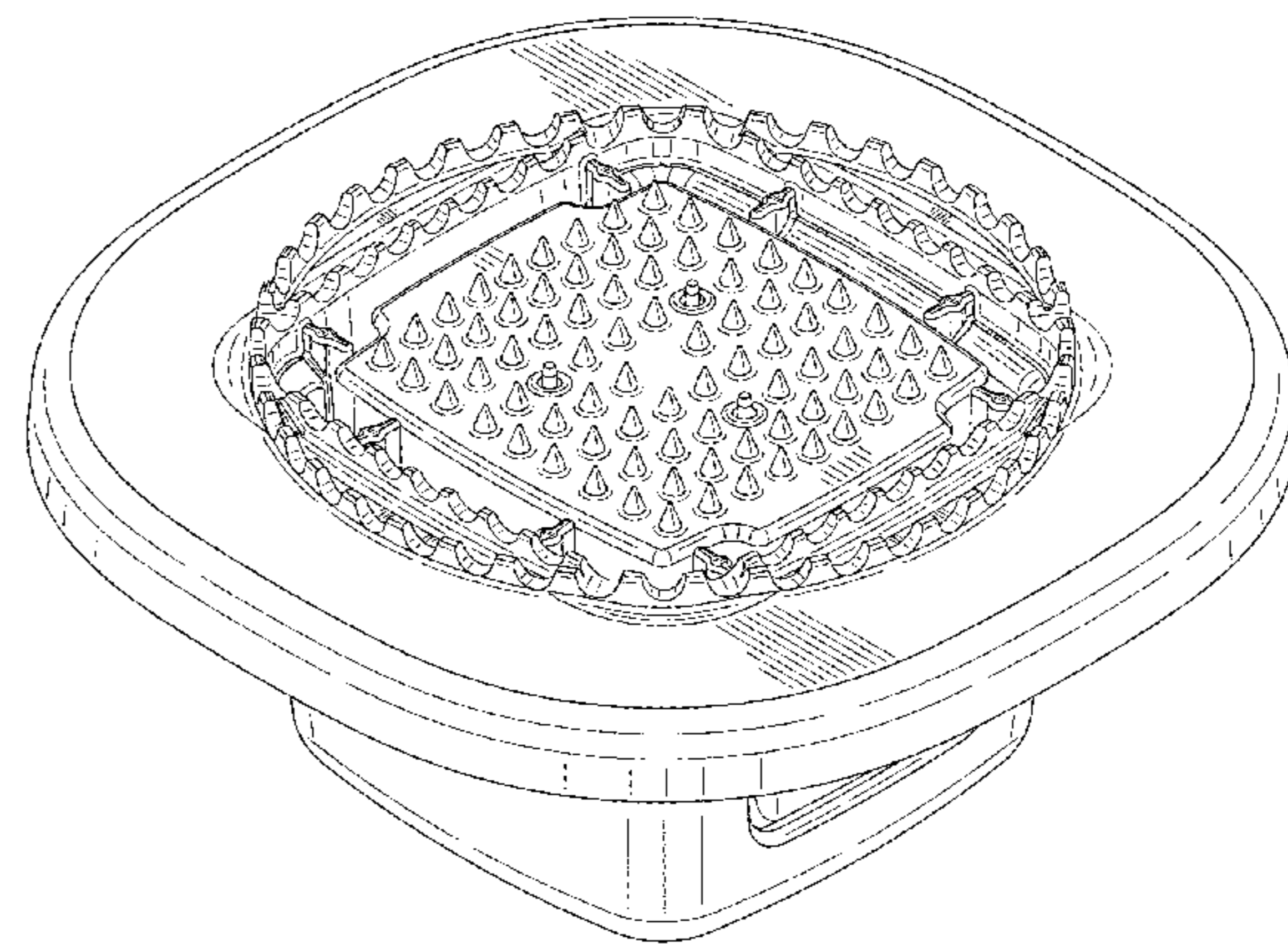
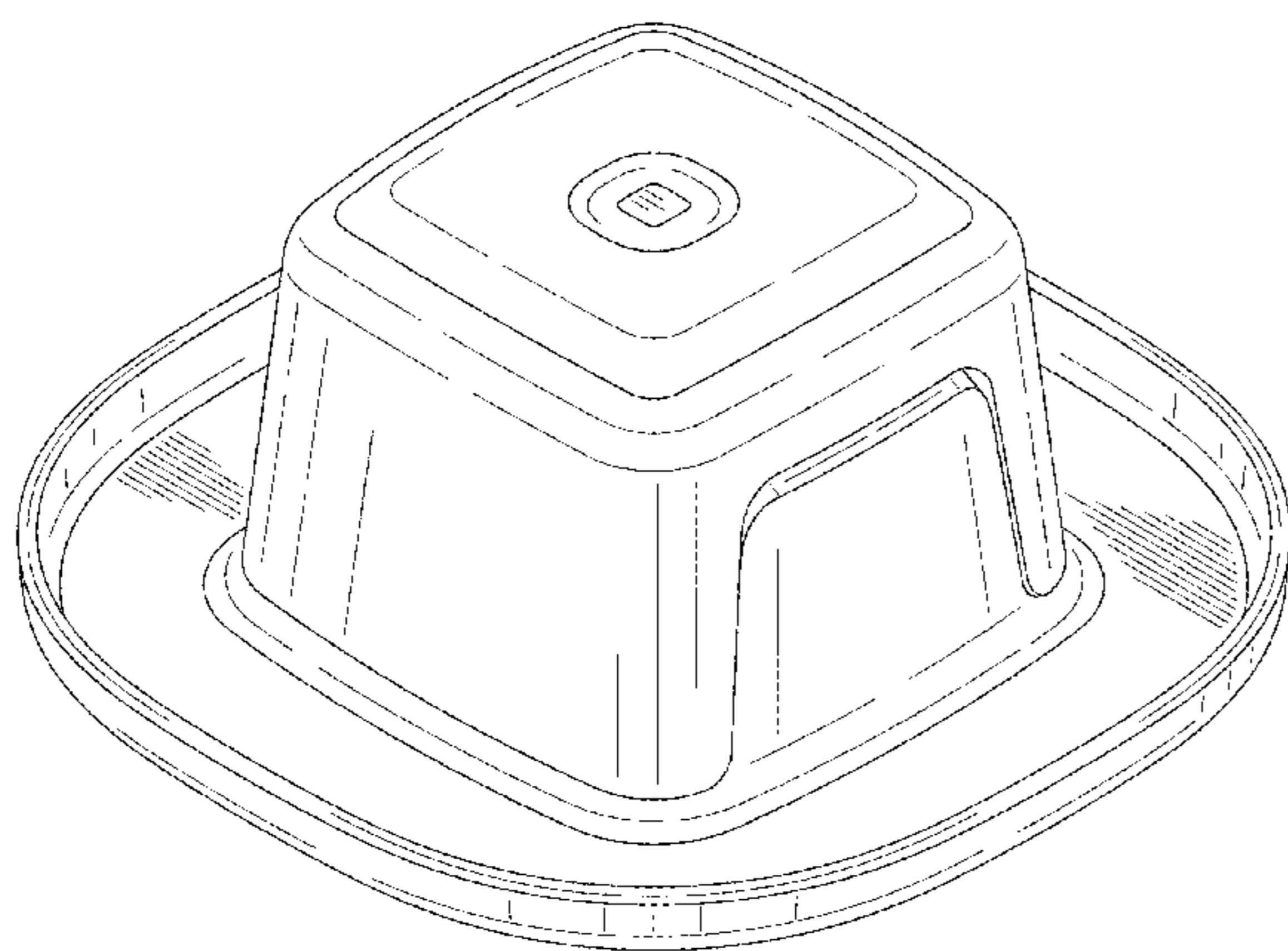
(57) **CLAIM**

The ornamental design for a finger protector for mandoline, as shown and described.

DESCRIPTION

FIG. 1 is a top, right and front perspective view of a finger protector for mandoline showing my new design; FIG. 2 is a bottom, right and rear perspective view thereof; FIG. 3 is a top plan view thereof; FIG. 4 is a bottom plan view thereof; FIG. 5 is a right side elevation view, the left side elevation being identical thereto; FIG. 6 is a front elevation view, the rear elevation being identical thereto; FIG. 7 is a cross-sectional view taken along line 7-7 of FIG. 3; and, FIG. 8 is a cross-sectional view taken along line 8-8 of FIG. 3.

1 Claim, 6 Drawing Sheets



(56)

References Cited

U.S. PATENT DOCUMENTS

2016/0101537 A1* 4/2016 Schoeman B26D 7/0608
83/42

OTHER PUBLICATIONS

Cuisinart—Mandoline Slicer—Black. Online, published date unknown. Retrieve on Dec. 18, 2017 from URL: <https://www.bestbuy.com/site/cuisinart-mandoline-slicer-black/6900385.p?skuId=6900385>.*

Tupperware Mandoline; Tupperware.com; Mar. 16, 2014.

* cited by examiner

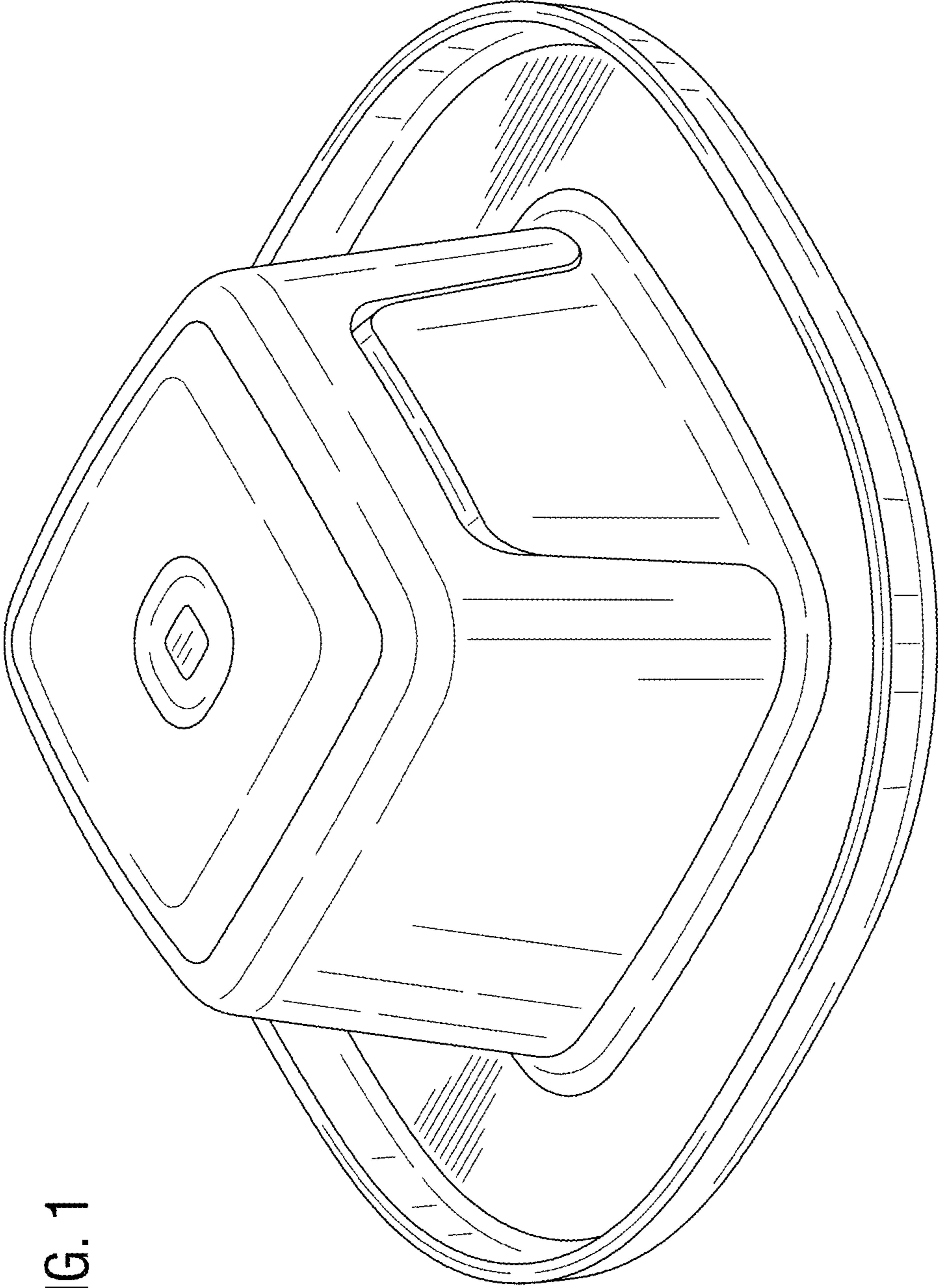


FIG. 1

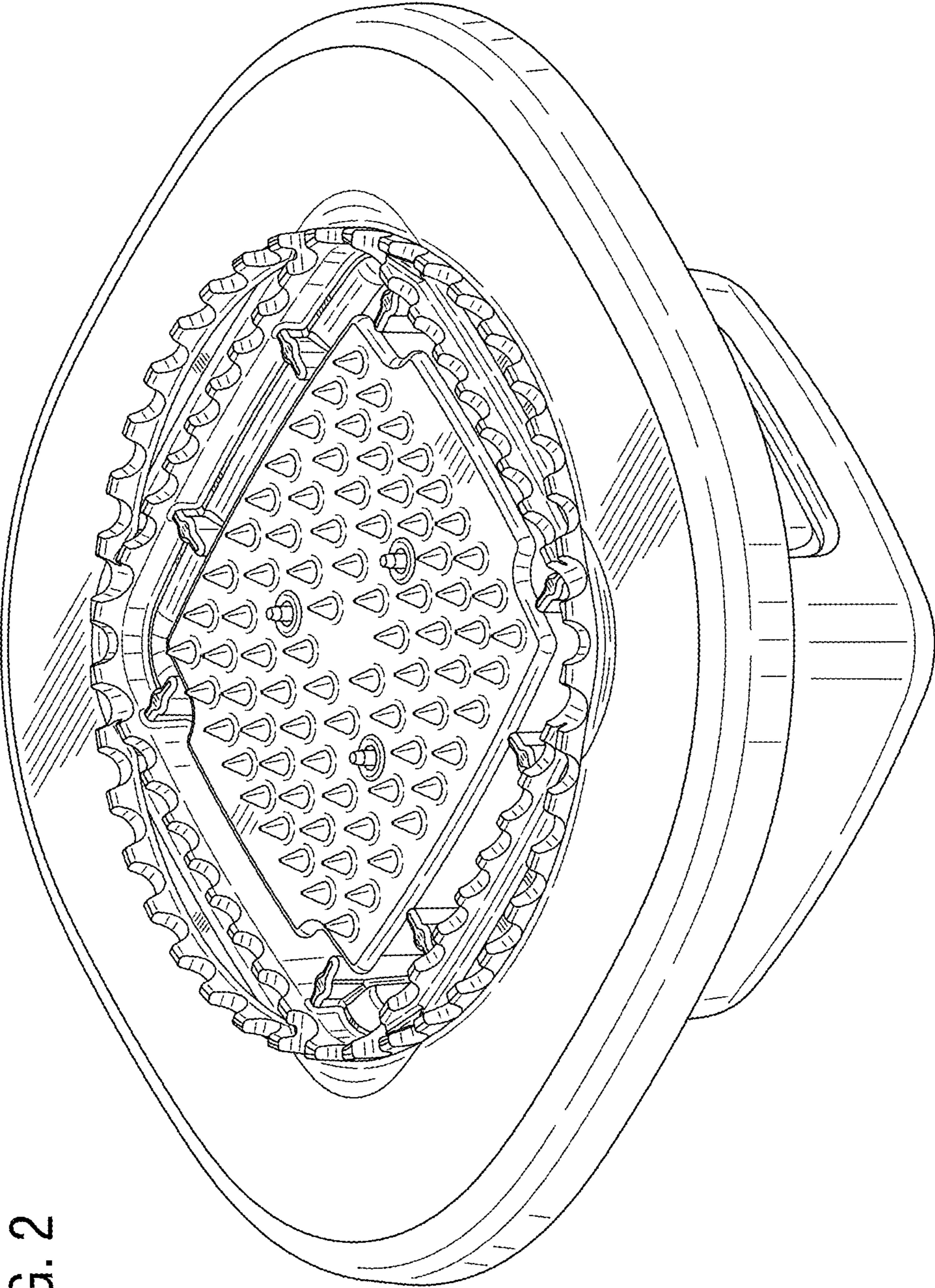


FIG. 2

FIG. 3

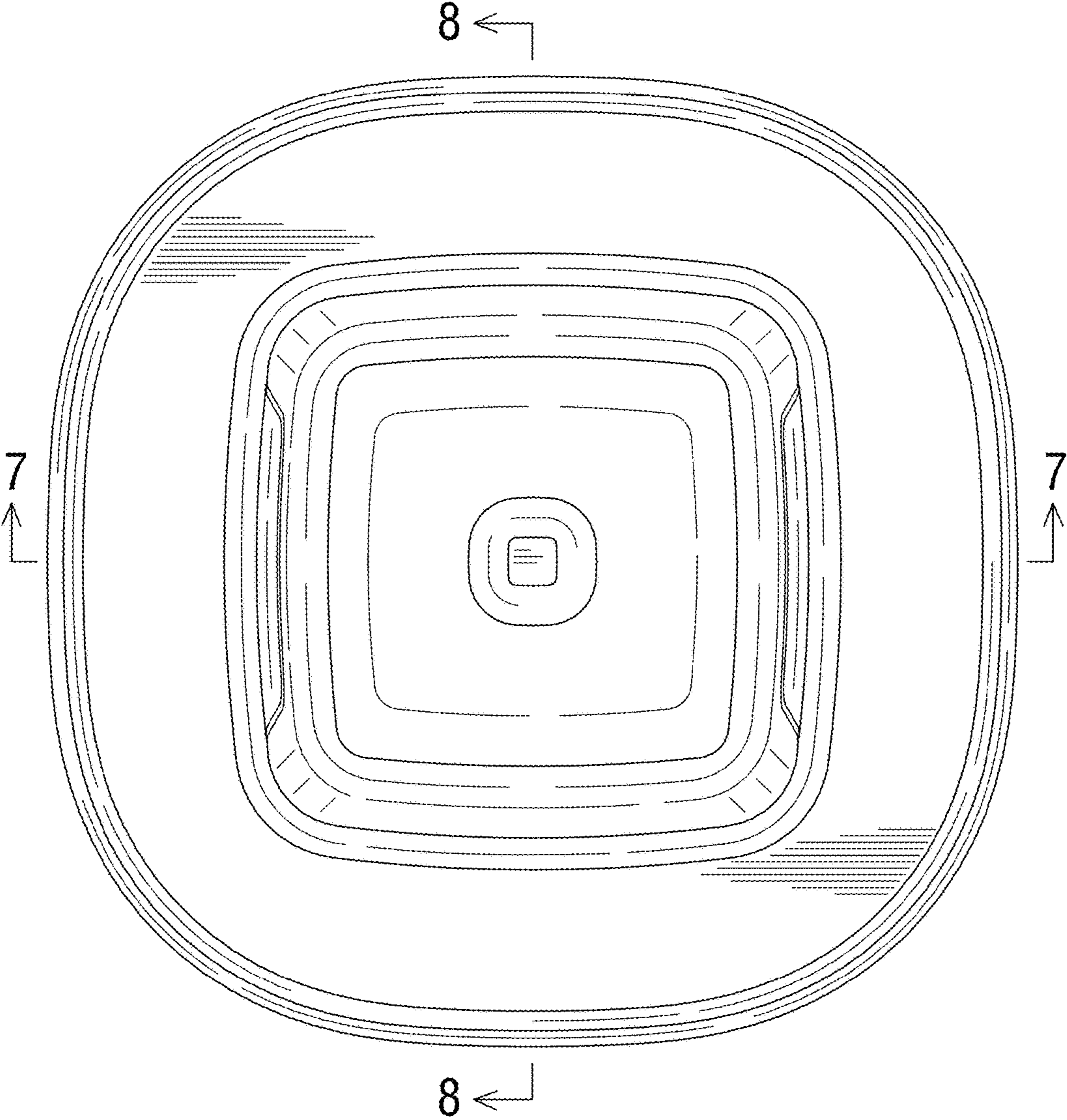


FIG. 4

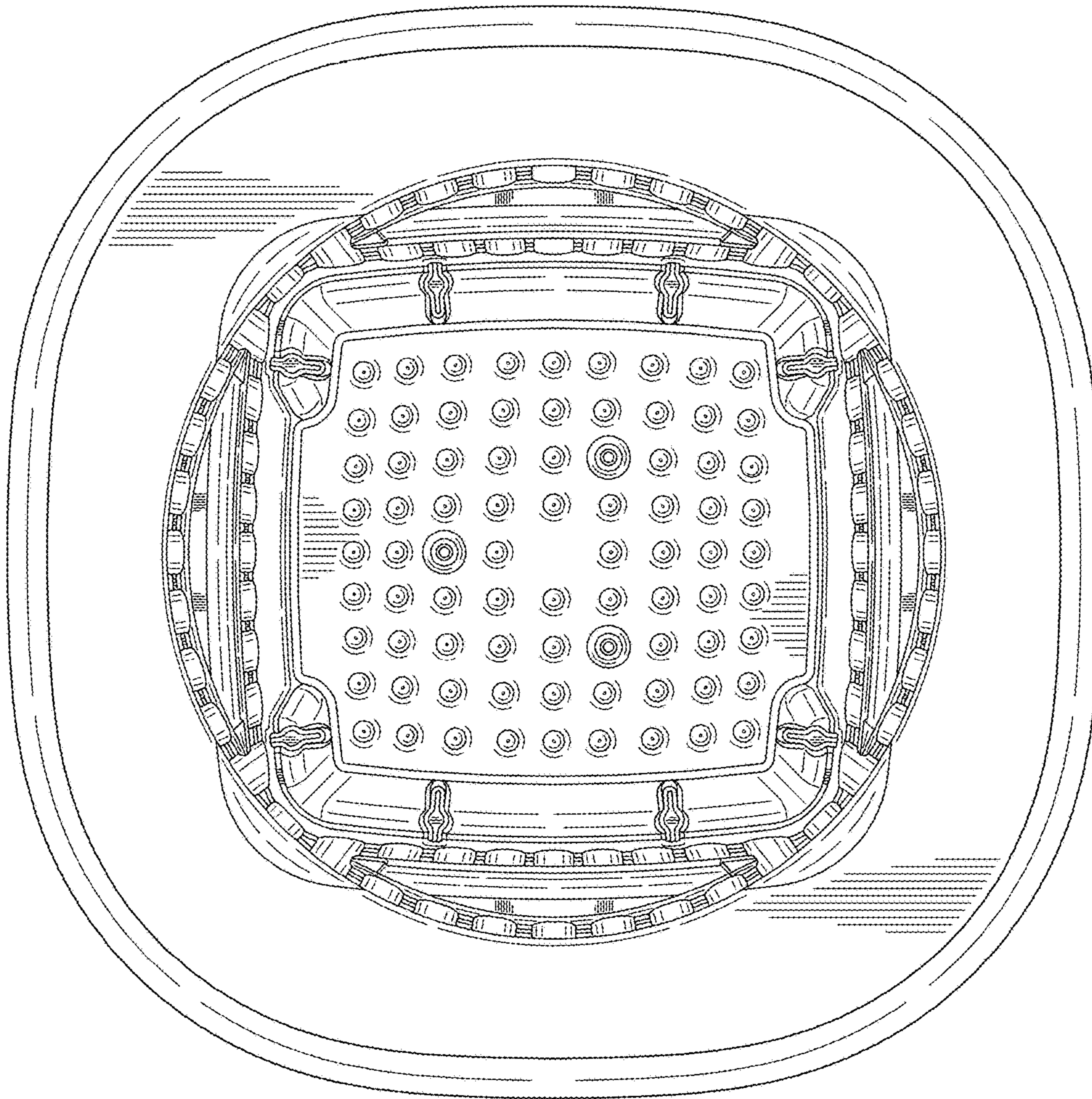


FIG. 5

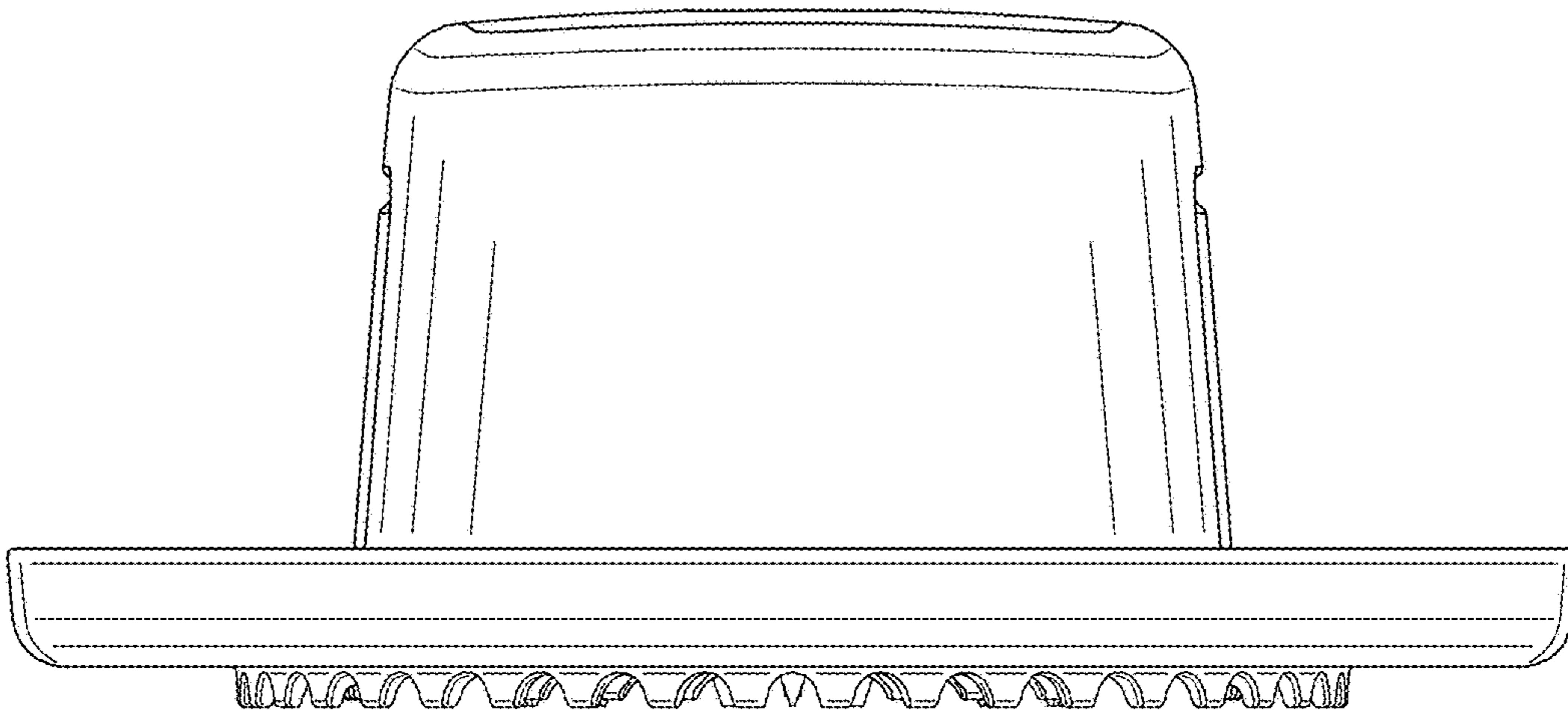


FIG. 6

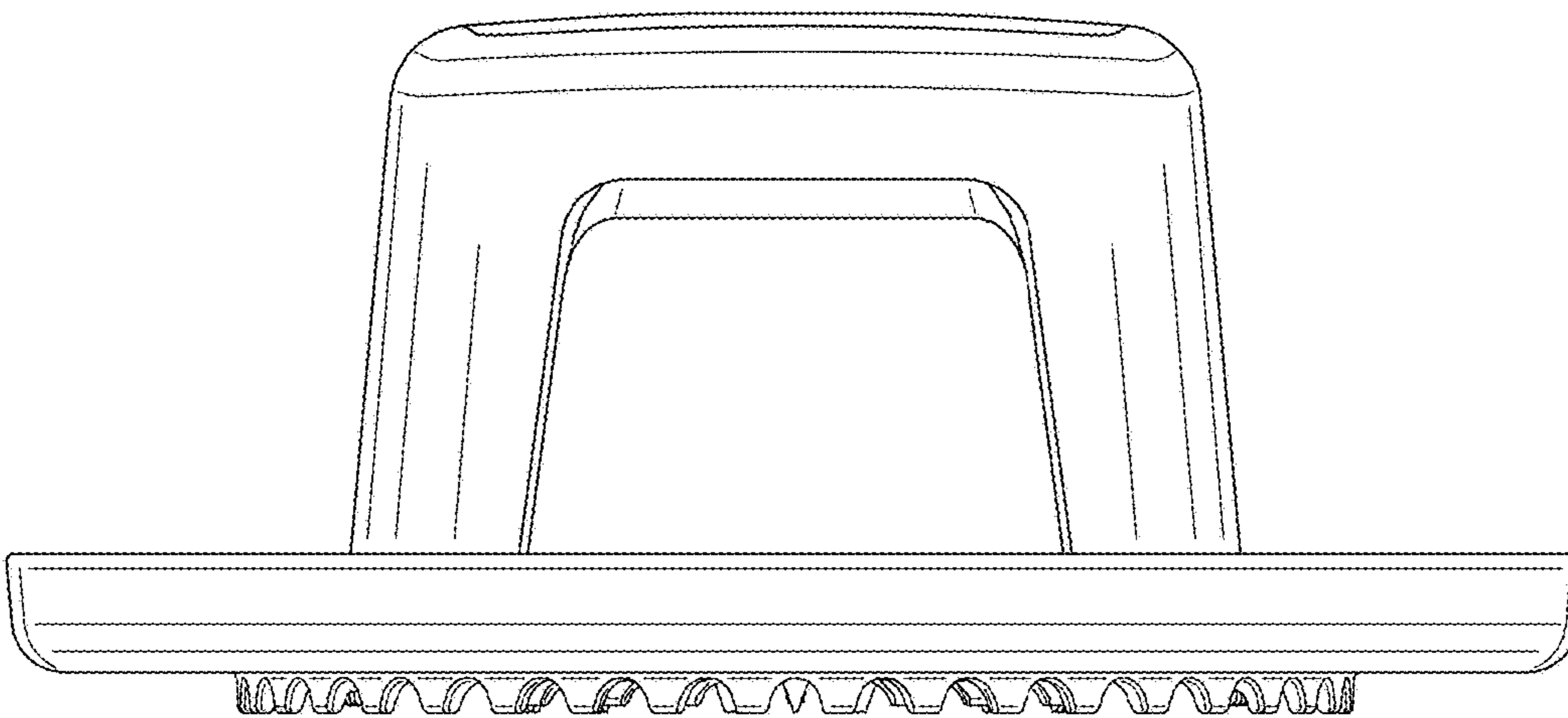


FIG. 7

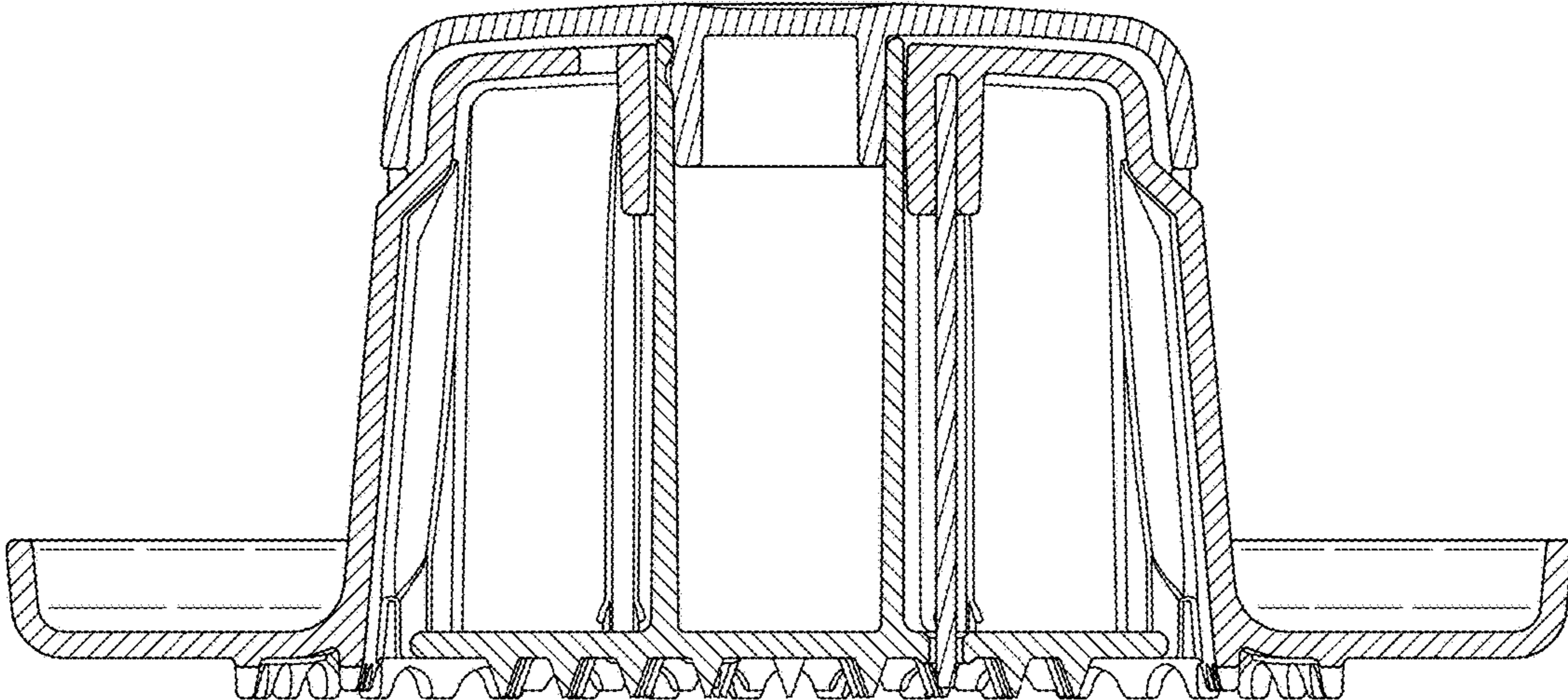


FIG. 8

