



US00D812434S

(12) **United States Design Patent** (10) **Patent No.:** **US D812,434 S**  
**Gerner et al.** (45) **Date of Patent:** **\*\* Mar. 13, 2018**

- (54) **THERMAL INSULATOR FOR A BEVERAGE CONTAINER**
- (71) Applicants: **Sean Gerner**, Ennismore (CA);  
**Carolyn Gerner**, Ennismore (CA)
- (72) Inventors: **Sean Gerner**, Ennismore (CA);  
**Carolyn Gerner**, Ennismore (CA)
- (\*\*) Term: **15 Years**
- (21) Appl. No.: **29/583,005**
- (22) Filed: **Nov. 1, 2016**
- (51) **LOC (11) Cl.** ..... **07-01**
- (52) **U.S. Cl.**  
USPC ..... **D7/608**
- (58) **Field of Classification Search**  
USPC ..... D7/603-608, 624.1, 624.2  
CPC ..... F25D 3/08; F25D 31/007; B65D 1/04;  
B65D 81/3876; B65D 81/3883; B65D  
81/3879; B65D 81/3881; B65D 81/3886;  
A45C 11/20  
See application file for complete search history.

(56) **References Cited**

U.S. PATENT DOCUMENTS

3,779,298	A *	12/1973	Piccirilli	.....	B44C 1/18 206/499
4,510,769	A *	4/1985	McClellan, Jr.	...	B65D 81/3879 215/12.1
4,514,995	A	5/1985	Curtis et al.		
5,325,991	A	7/1994	Williams		
5,390,804	A *	2/1995	Beggins	.....	B65D 23/0885 215/12.1
5,680,958	A	10/1997	Mann et al.		
D432,873	S	10/2000	Fair		
D476,856	S *	7/2003	Belton	.....	D7/605
6,604,649	B1 *	8/2003	Campi	.....	B65D 81/3886 220/592.17
6,655,543	B2	12/2003	Beuke		

6,814,252	B2 *	11/2004	Murakami	.....	B65D 81/3876 215/12.1
D524,157	S *	7/2006	Bolden	.....	D7/607
7,201,285	B2 *	4/2007	Beggins	.....	B65D 81/3879 215/386
7,614,516	B2	11/2009	Beggins		
D614,451	S *	4/2010	Jensen	.....	D7/607
D619,422	S *	7/2010	Parker	.....	D7/607
8,104,636	B2 *	1/2012	Crain	.....	B65D 81/3876 206/524.1
D685,615	S *	7/2013	Altieri	.....	D7/608
8,844,763	B1	9/2014	Momirov et al.		
2010/0072159	A1 *	3/2010	Yang	.....	B65D 11/04 215/6
2010/0139310	A1 *	6/2010	Poterek	.....	F25D 3/08 62/457.4

\* cited by examiner

*Primary Examiner* — Terry A Wallace  
(74) *Attorney, Agent, or Firm* — Stevenson IP, LLC

(57) **CLAIM**

The ornamental design for a thermal insulator for a beverage container, as shown and described.

**DESCRIPTION**

FIG. 1 is a front elevation view of a thermal insulator for a beverage container showing our new design, each of the opposite side, the right side, and the left side being a mirror image of the shown;

FIG. 2 is a top plan view thereof.

FIG. 3 is a bottom plan view thereof;

FIG. 4 is a top isometric view thereof;

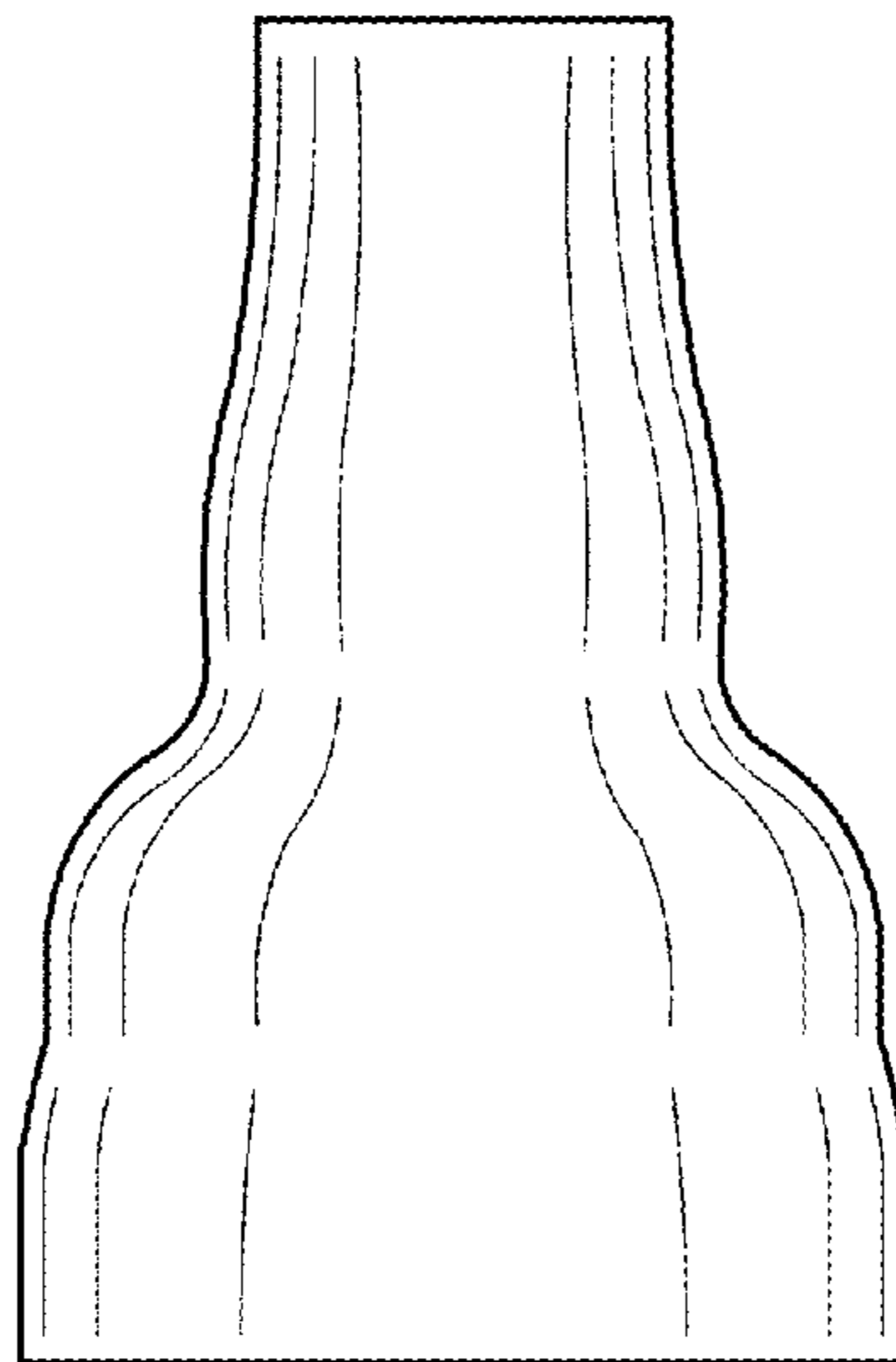
FIG. 5 is a bottom isometric view thereof;

FIG. 6 is an in-use right side elevation view thereof; and,

FIG. 7 is an in-use bottom isometric view thereof.

The broken lines in FIGS. 6 and 7 of the drawings depict a beverage container and a koozie, respectively, as environmental subject matter only and form no part of the claimed design.

**1 Claim, 5 Drawing Sheets**



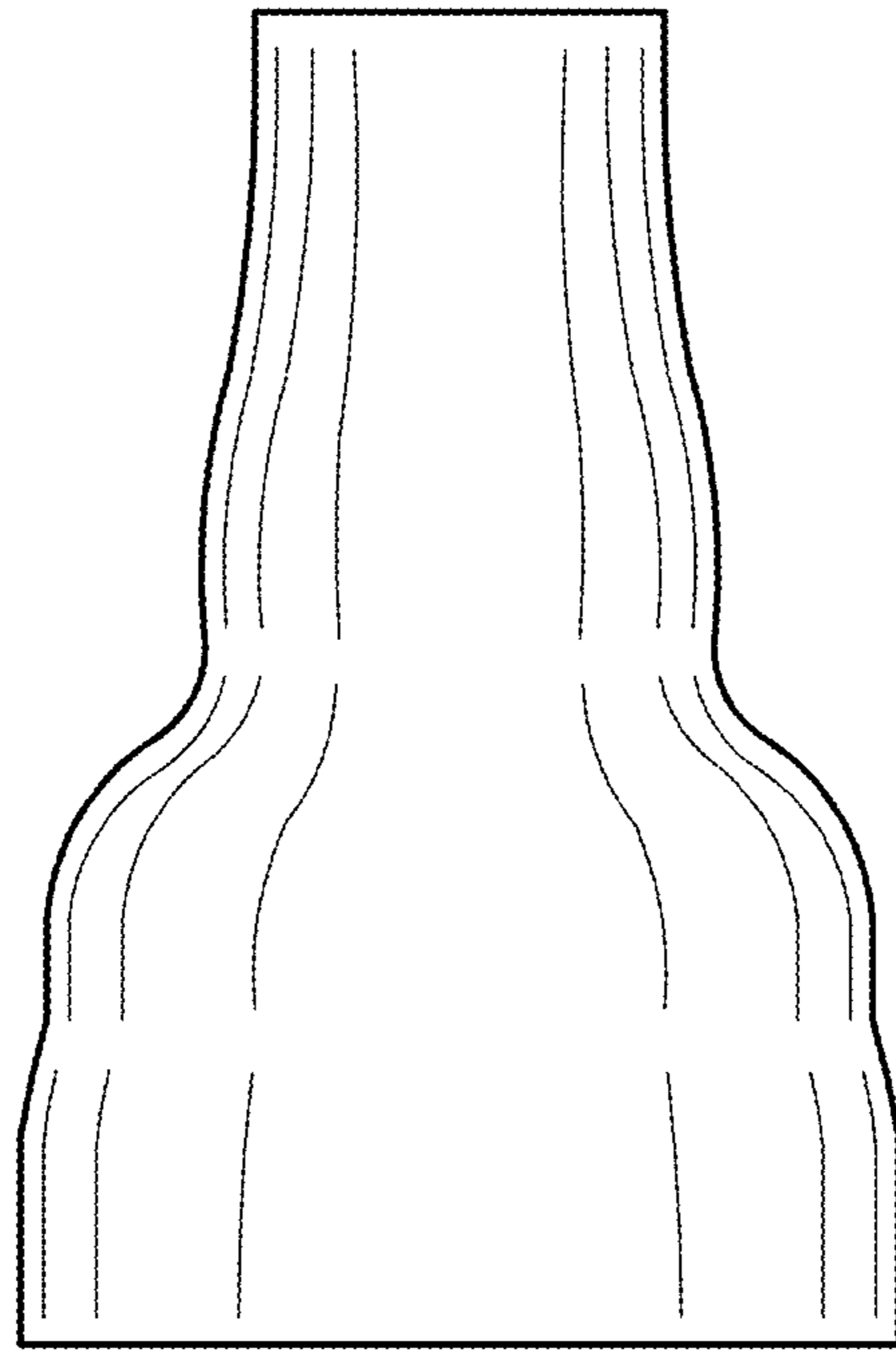


FIG. 1

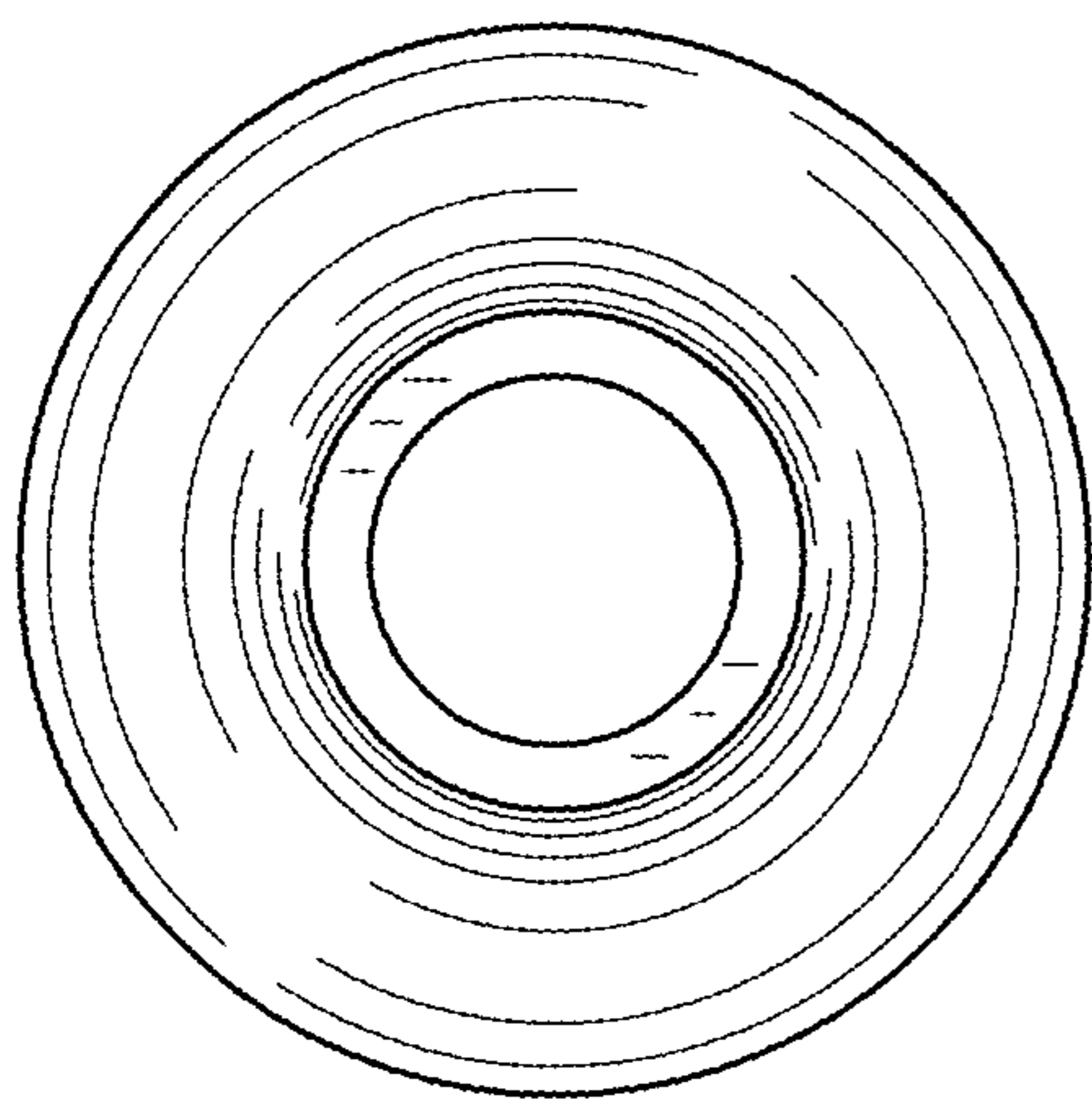


FIG. 2

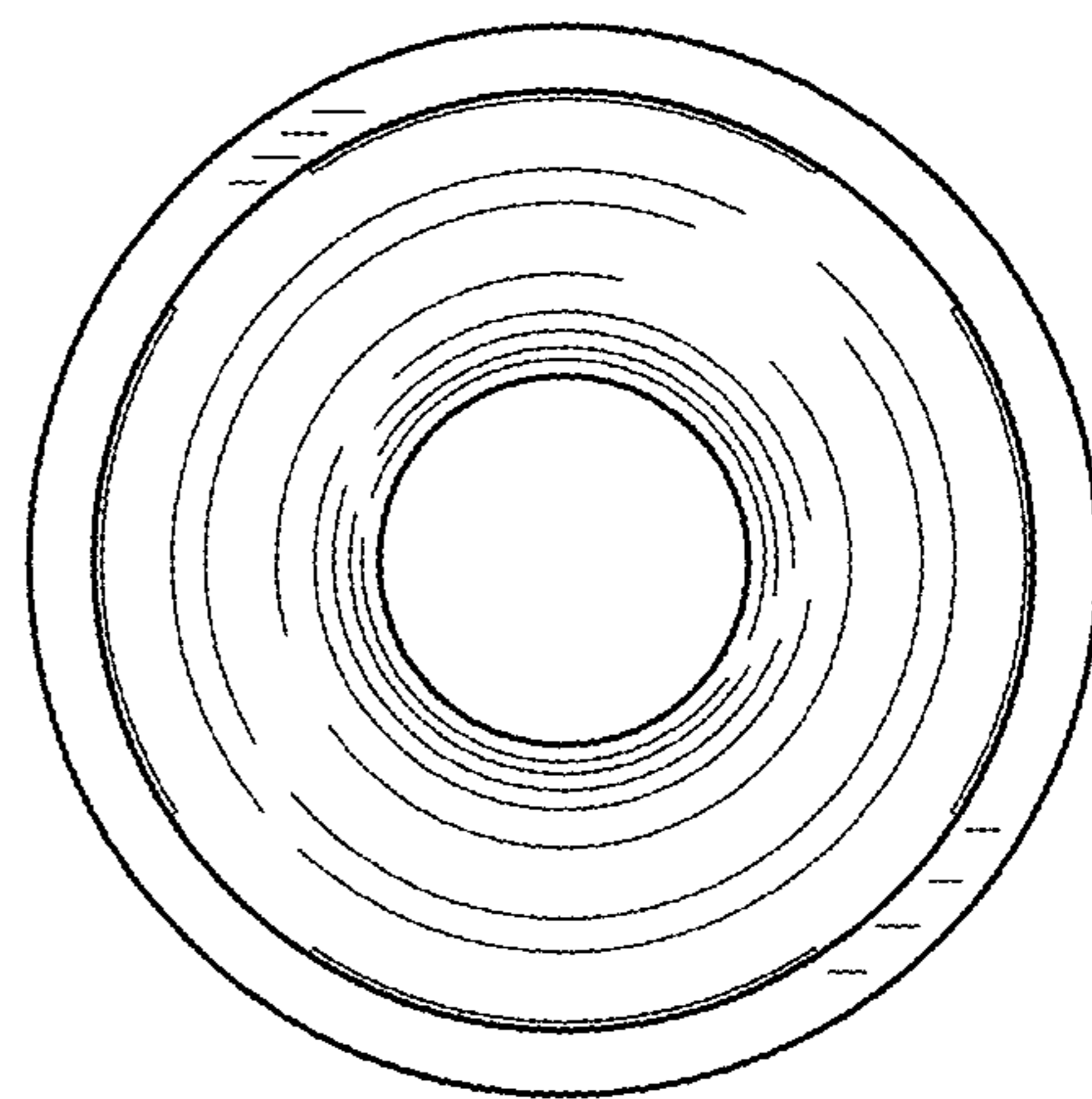


FIG. 3

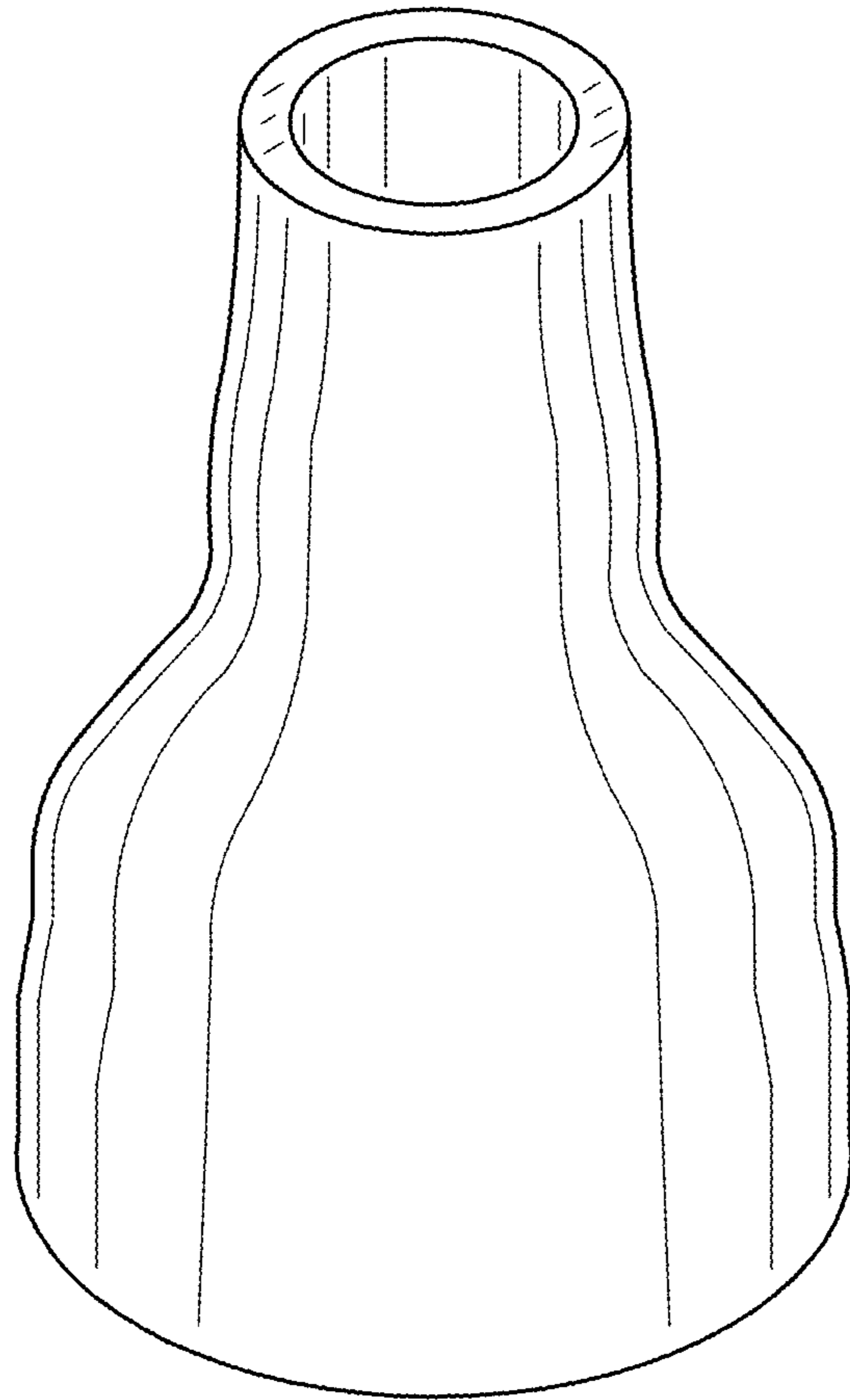


FIG. 4

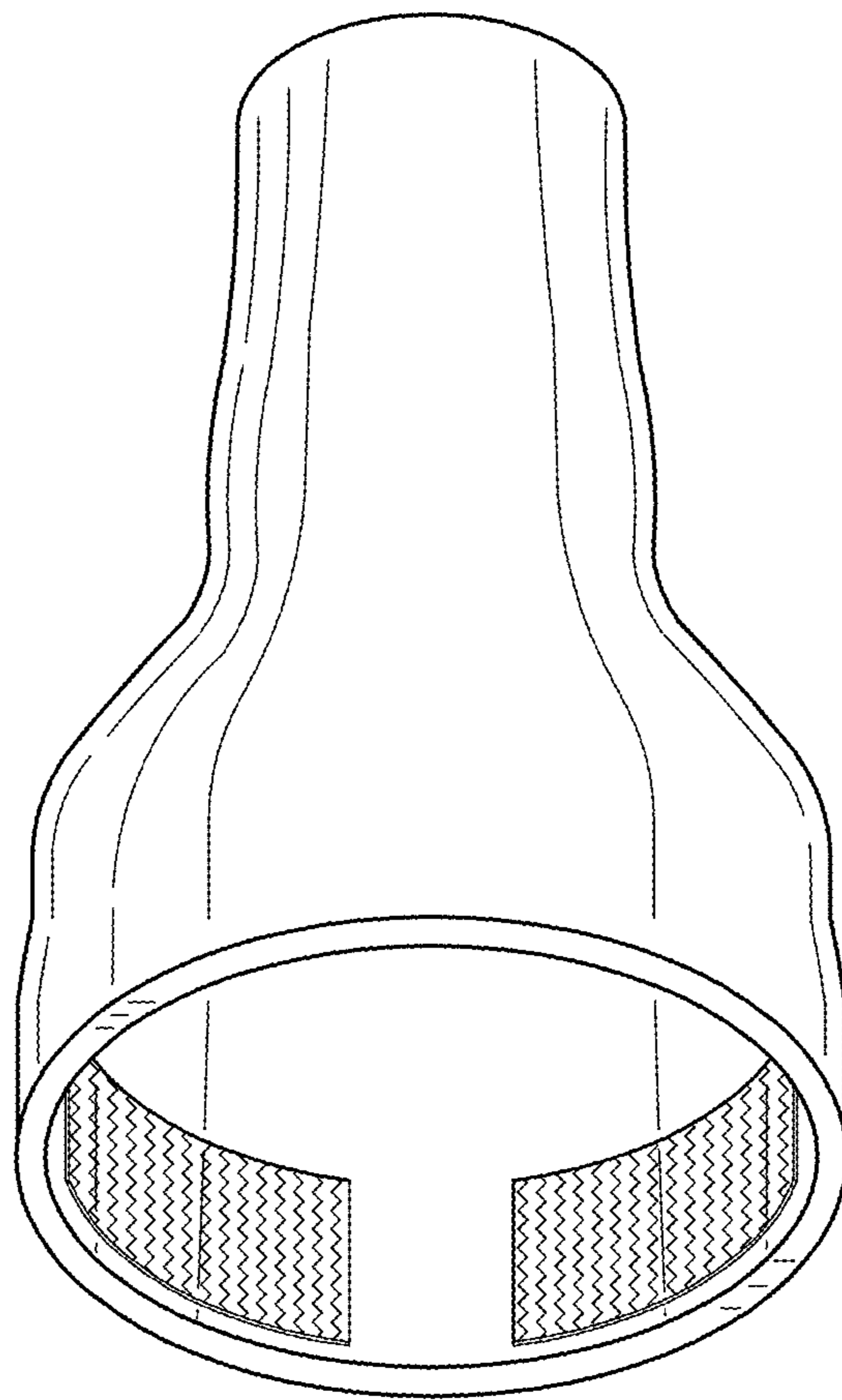


FIG. 5

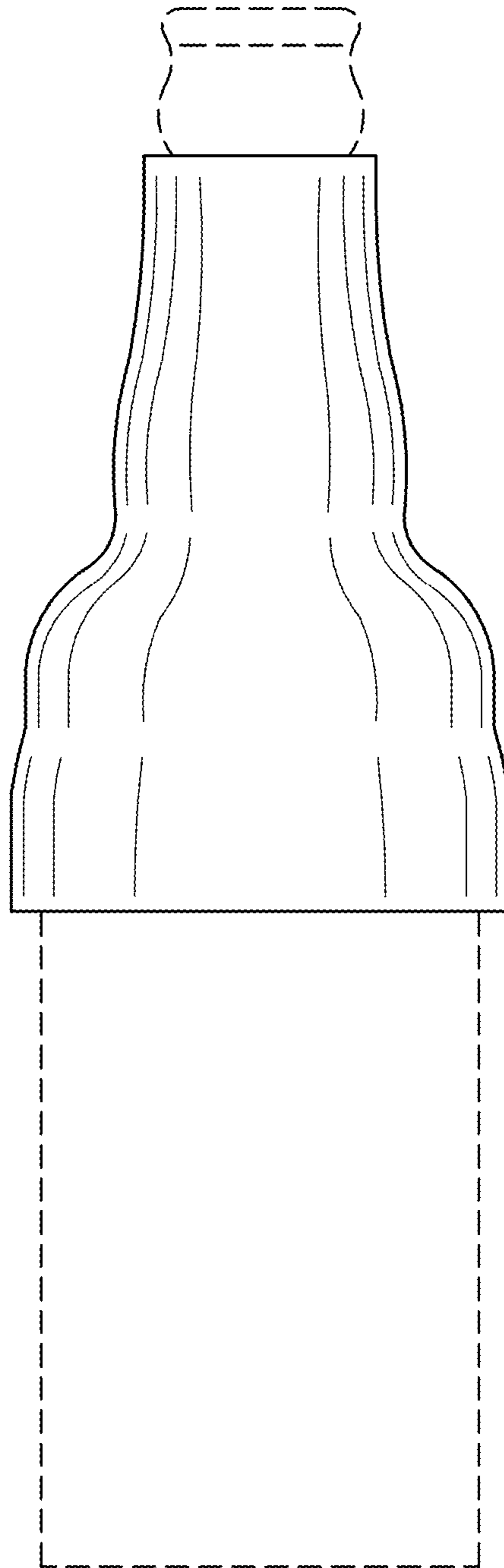


FIG. 6

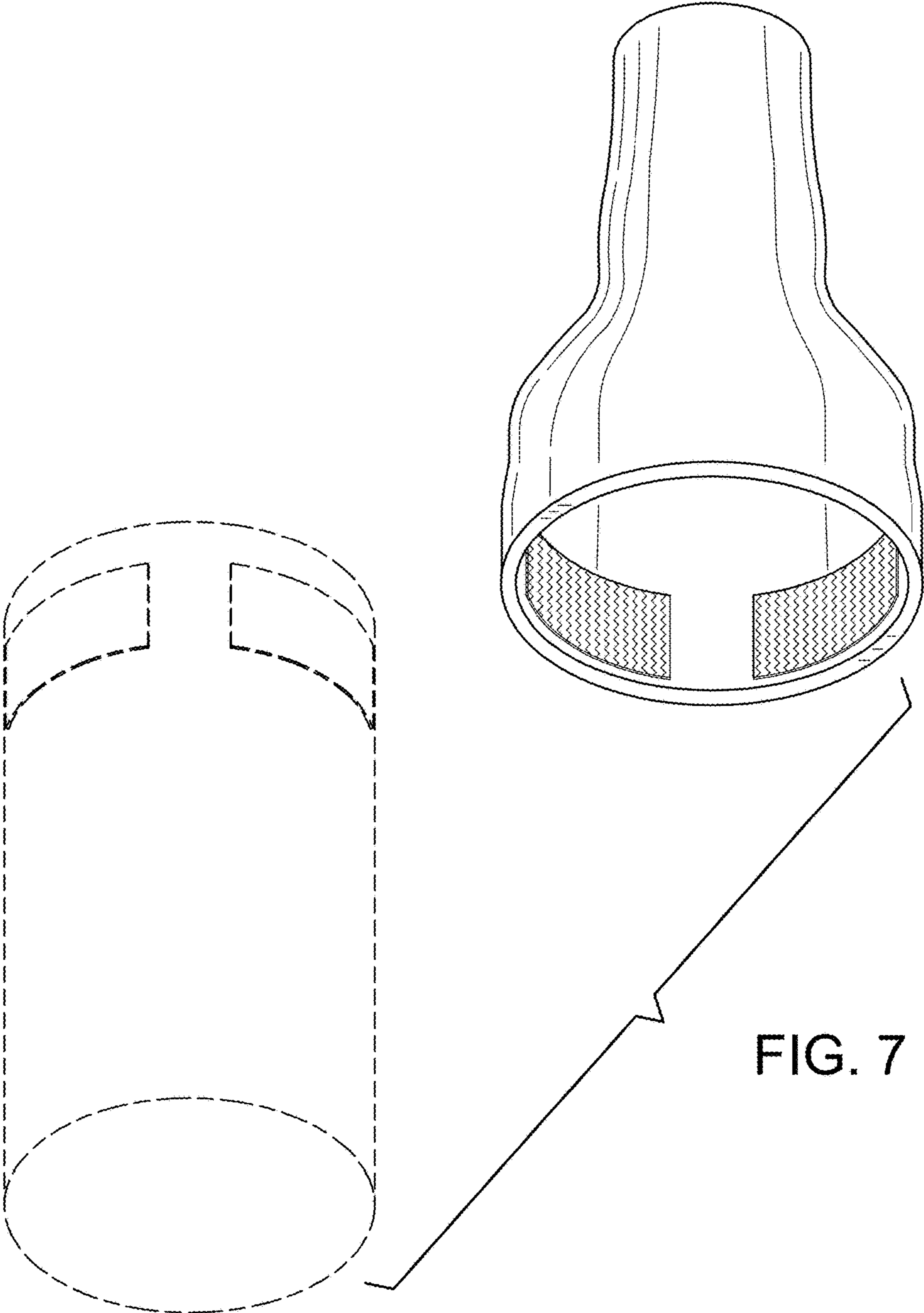


FIG. 7