



US00D812433S

(12) **United States Design Patent**
Kwok

(10) **Patent No.:** **US D812,433 S**

(45) **Date of Patent:** **** Mar. 13, 2018**

(54) **DISH WITH BASE AND PLACEMAT**

(71) Applicant: **William Wai Hei Kwok**, Thornhill
(CA)

(72) Inventor: **William Wai Hei Kwok**, Thornhill
(CA)

(73) Assignee: **William Kwok**, Thornhill, Ontario
(CA)

(**) Term: **15 Years**

(21) Appl. No.: **29/585,986**

(22) Filed: **Nov. 30, 2016**

(51) **LOC (11) Cl.** **07-01**

(52) **U.S. Cl.**
USPC **D7/553.4**

(58) **Field of Classification Search**
USPC D7/505, 550.1, 553.1, 553.2, 553.3,
D7/554.3, 554.4, 555, 566; D9/424, 432,
D9/756, 757, 758, 761
CPC B65D 1/34; B65D 21/00; B65D 21/02;
B65D 21/0233
See application file for complete search history.

(56) **References Cited**

U.S. PATENT DOCUMENTS

D102,968 S * 1/1937 Farber 220/23.83
D259,669 S * 6/1981 Peterson D30/130
4,989,846 A * 2/1991 Quinn A47G 23/06
269/54.5
D370,314 S * 5/1996 Pearson-Falcon D30/130
D402,851 S * 12/1998 Stauffer D7/505
D411,709 S * 6/1999 Curtis D7/387
D423,732 S * 4/2000 McGee D30/129

D587,529 S * 3/2009 Pratt D7/553.8
D601,310 S * 9/2009 Greenan D30/129
D737,103 S * 8/2015 Cloutier D7/554.2
D767,941 S * 10/2016 Laurain D6/616
D774,361 S * 12/2016 Laurain D6/616
D802,368 S * 11/2017 Peng D7/553.2
D802,853 S * 11/2017 MacNeil D30/133
2002/0195001 A1 * 12/2002 Hester A47J 37/049
99/345
2005/0229793 A1 * 10/2005 Wengrovsky A47G 19/02
99/483

* cited by examiner

Primary Examiner — Kelley Donnelly

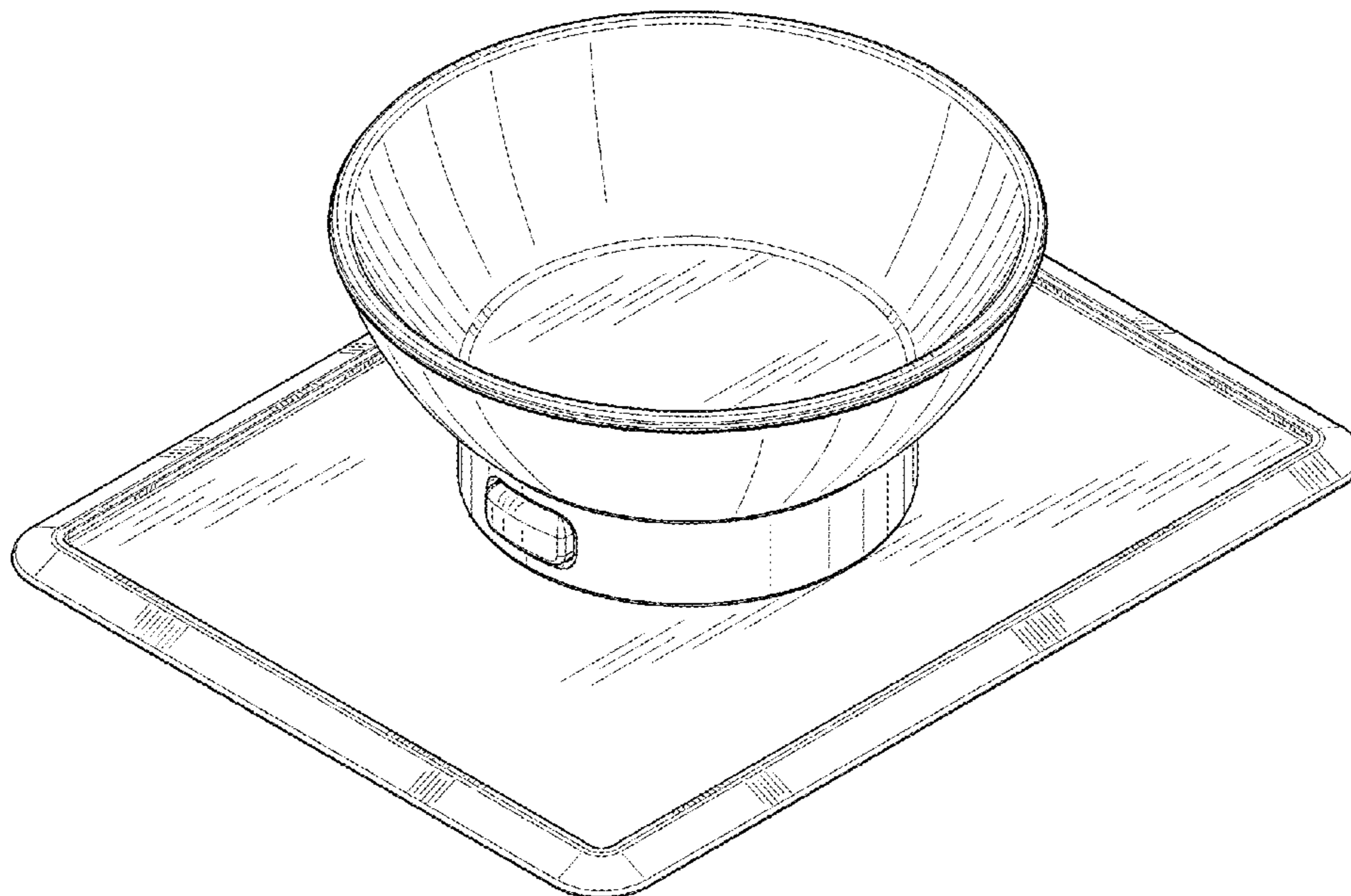
(57) **CLAIM**

The ornamental design for a dish with base and placemat, as shown and described.

DESCRIPTION

FIG. 1 is a perspective view of a dish with base and placemat;
FIG. 2 is a bottom perspective view of a dish with base and placemat;
FIG. 3 is a side view of a dish with base and placemat;
FIG. 4 is a side view of a dish with base and placemat;
FIG. 5 is a top view of a dish with base and placemat;
FIG. 6 is a bottom view of a dish with base and placemat;
FIG. 7 is an exploded view of a dish with base and placemat;
FIG. 8 is a perspective view of a variant of a dish with base and placemat; and,
FIG. 9 is a perspective view of a variant of a dish with base and placemat.
The subject matter shown in dashed lines is for illustrative purposes and forms no part of the claimed design.

1 Claim, 7 Drawing Sheets



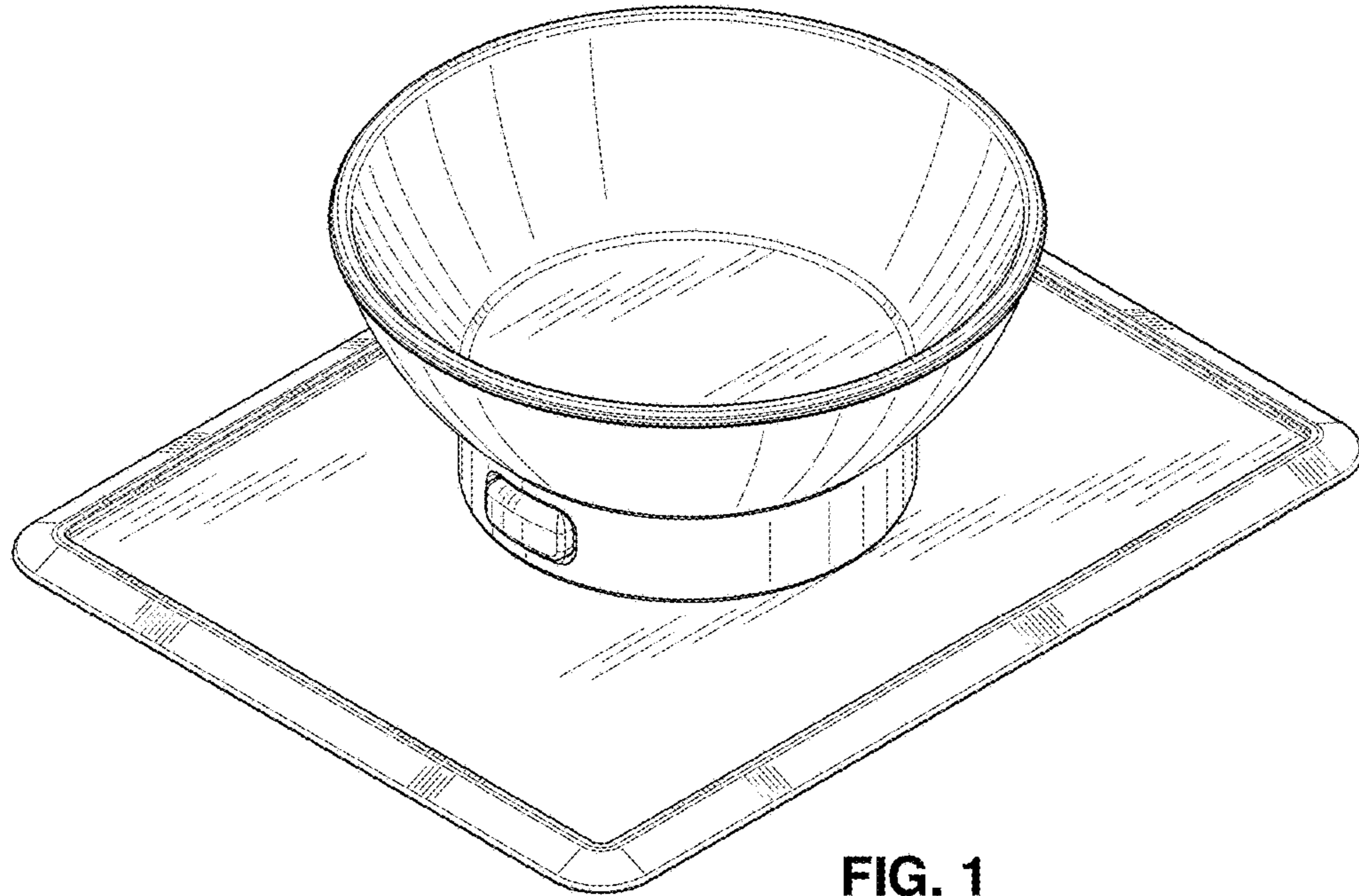


FIG. 1

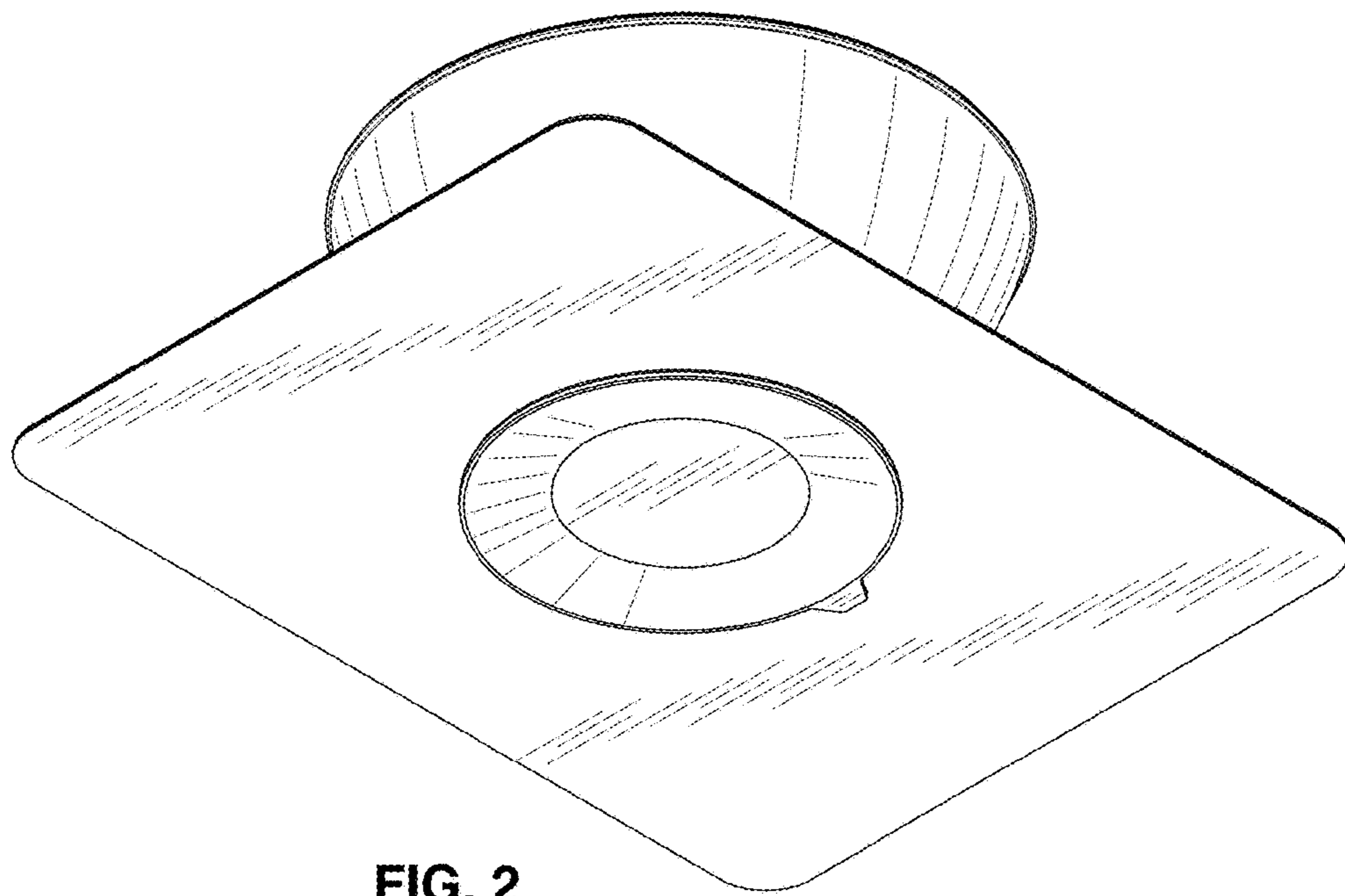


FIG. 2

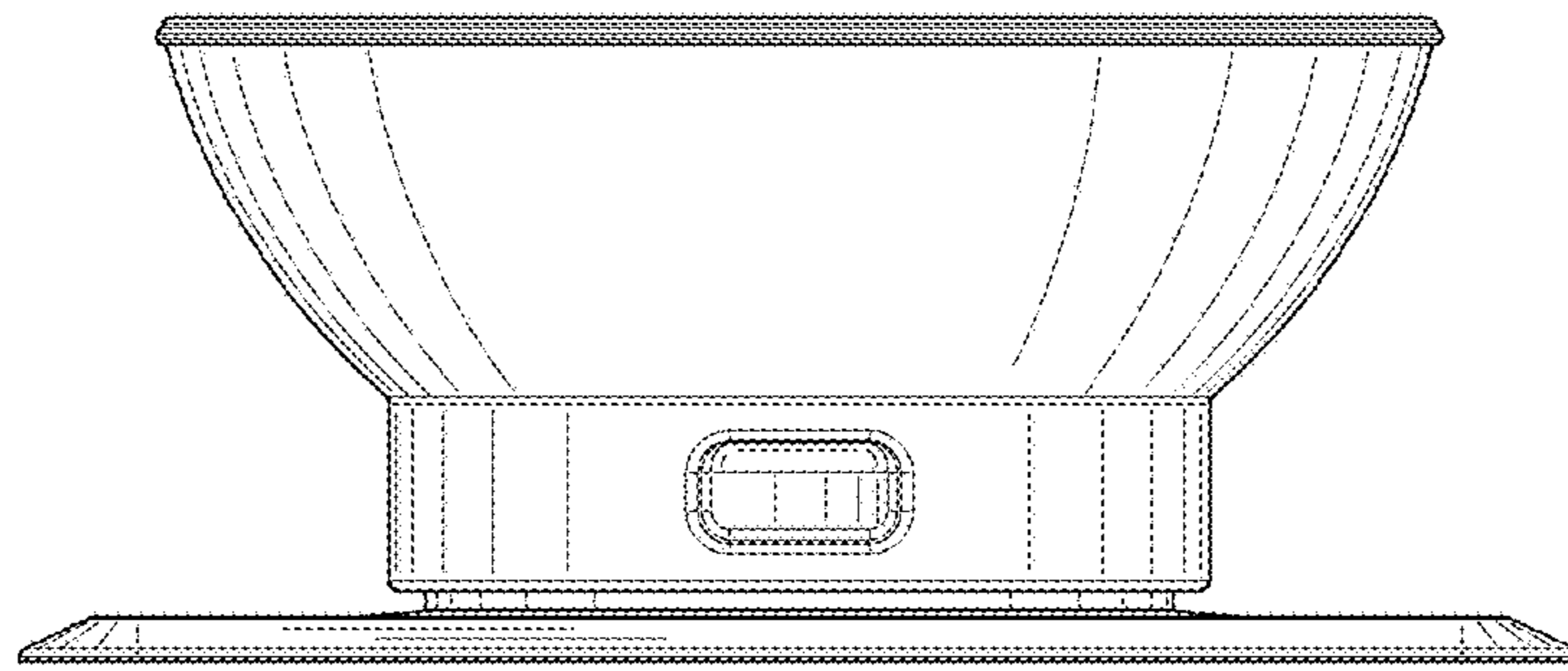


FIG. 3

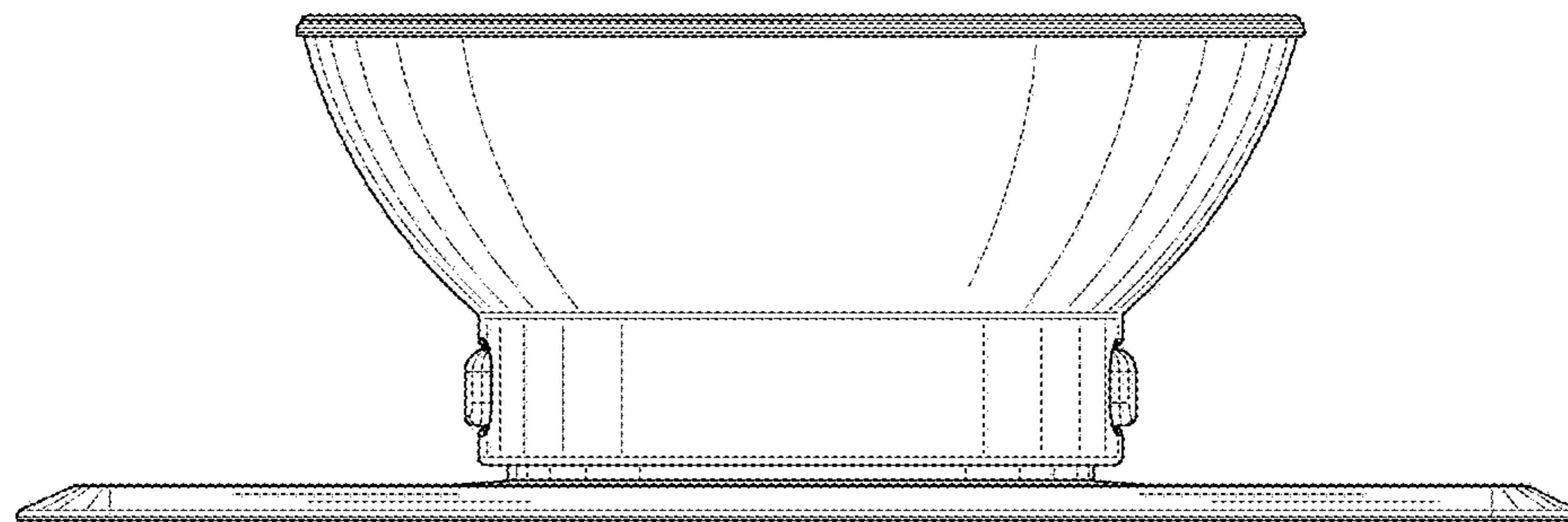


FIG. 4

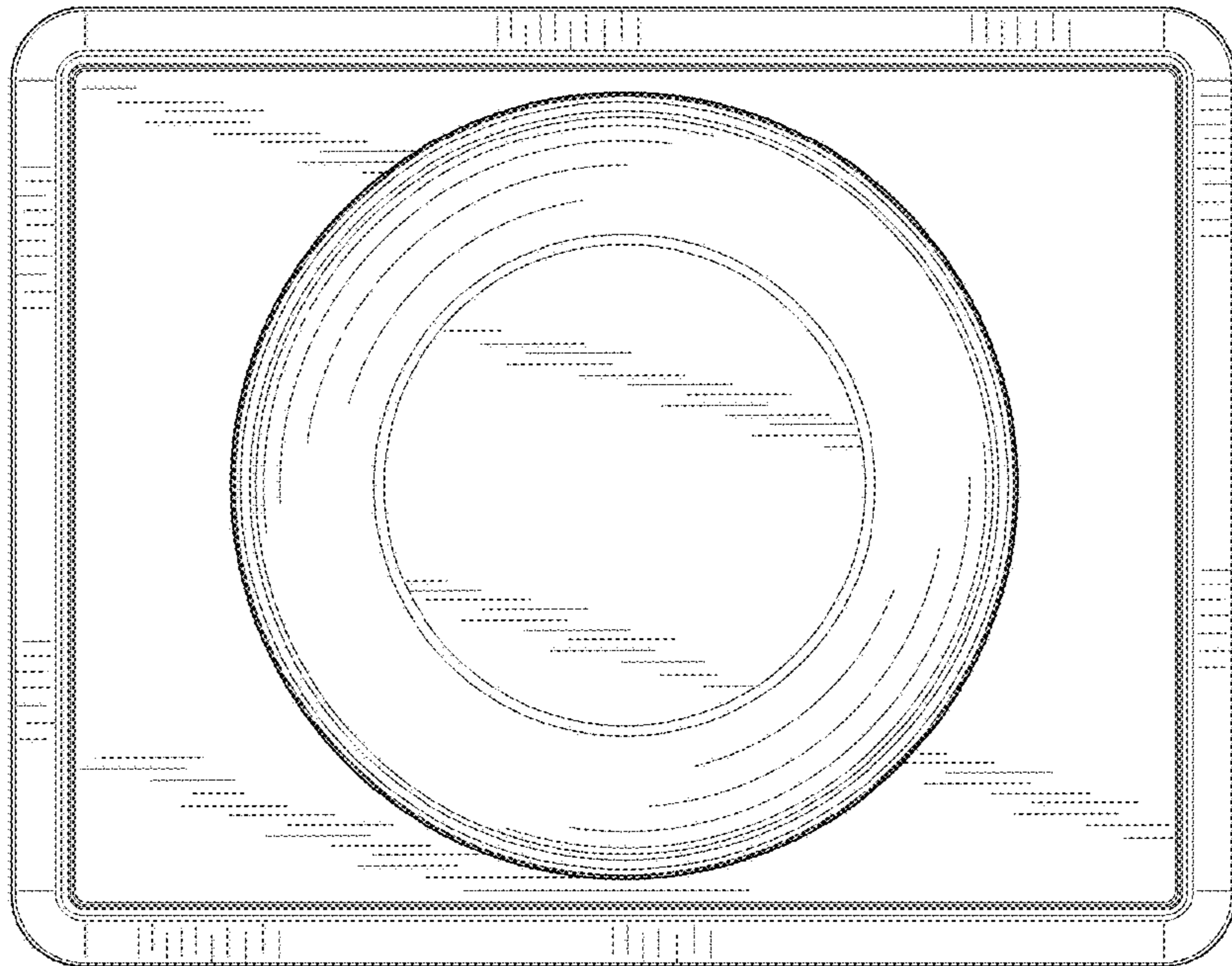


FIG. 5

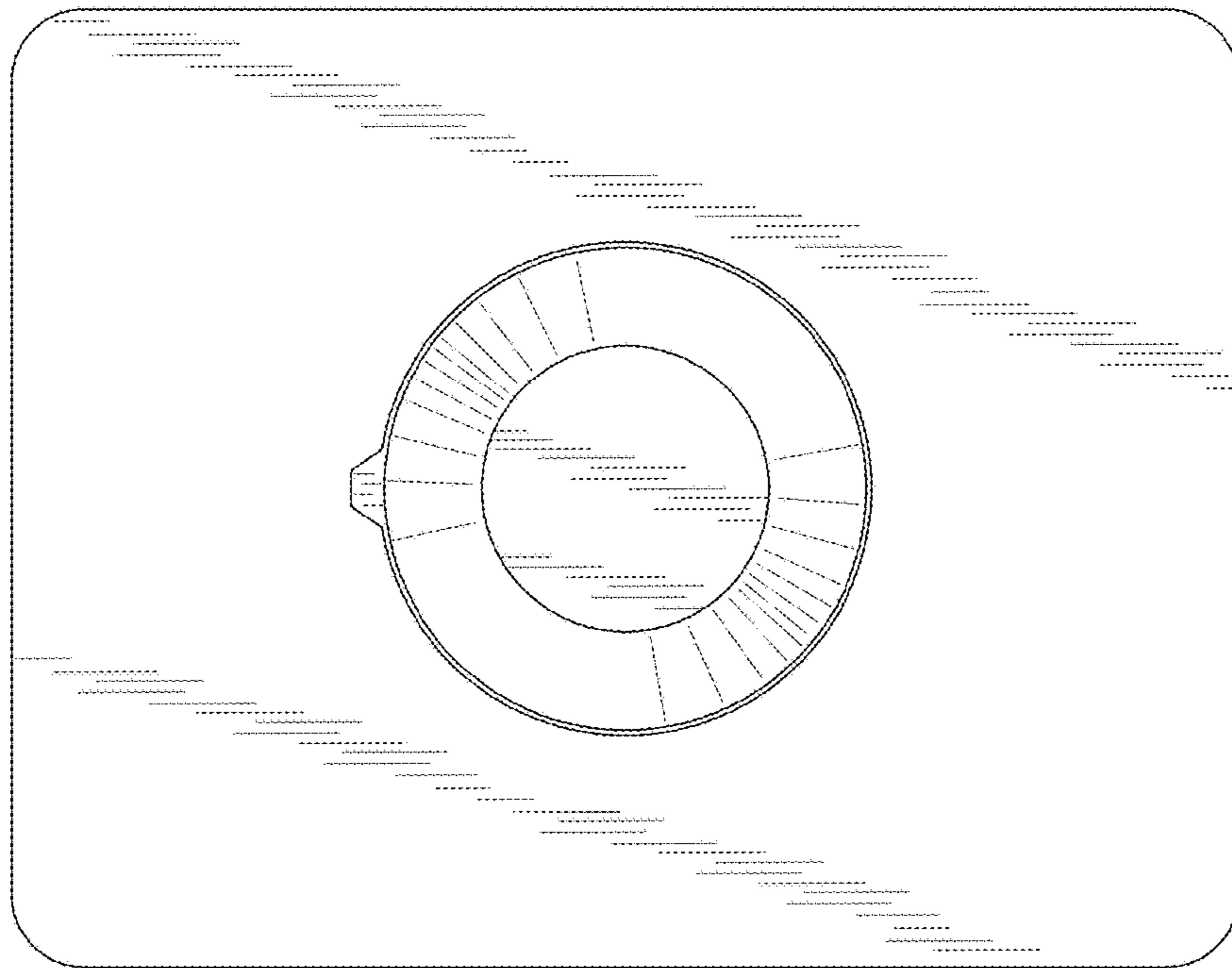


FIG. 6

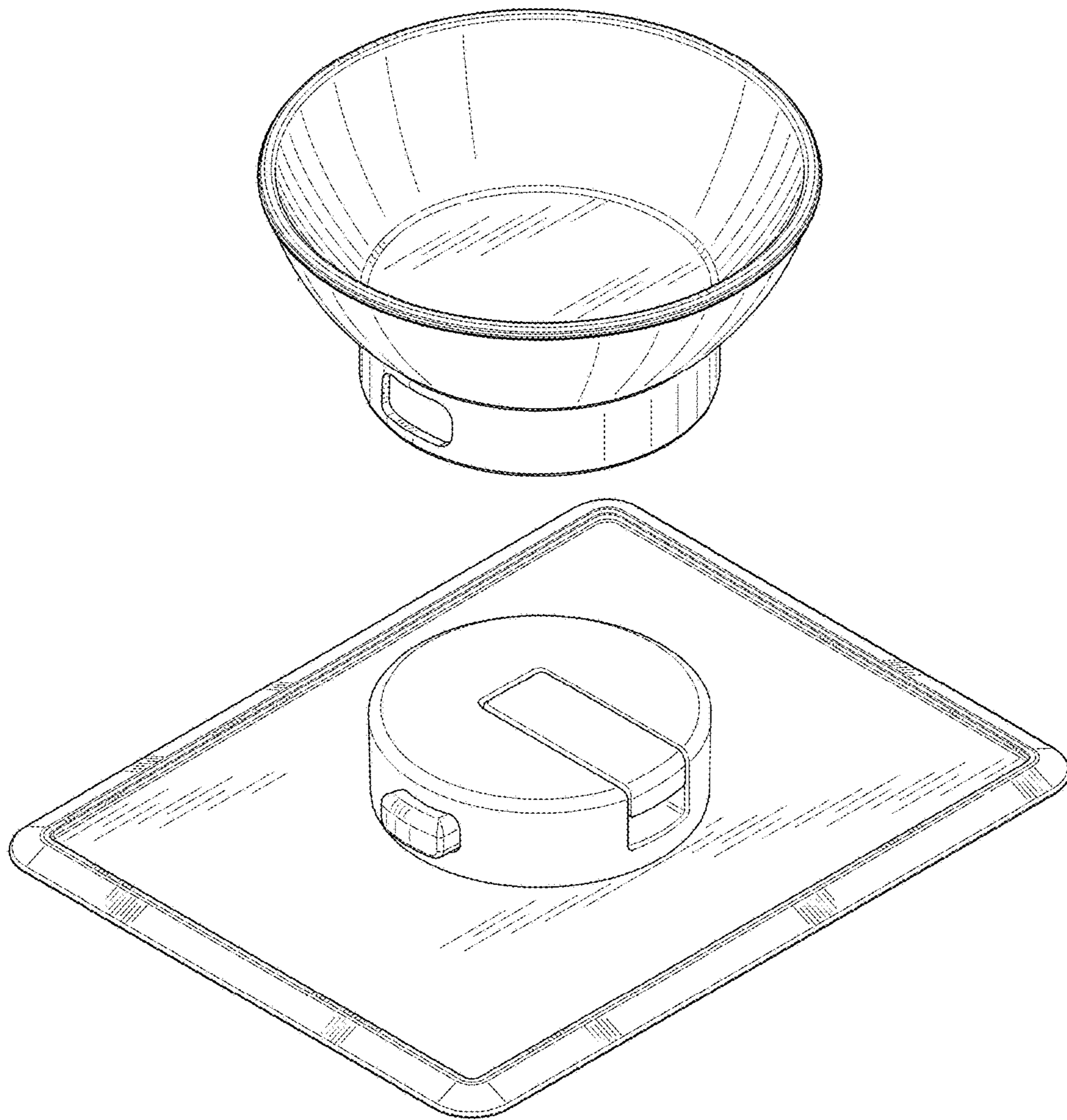


FIG. 7

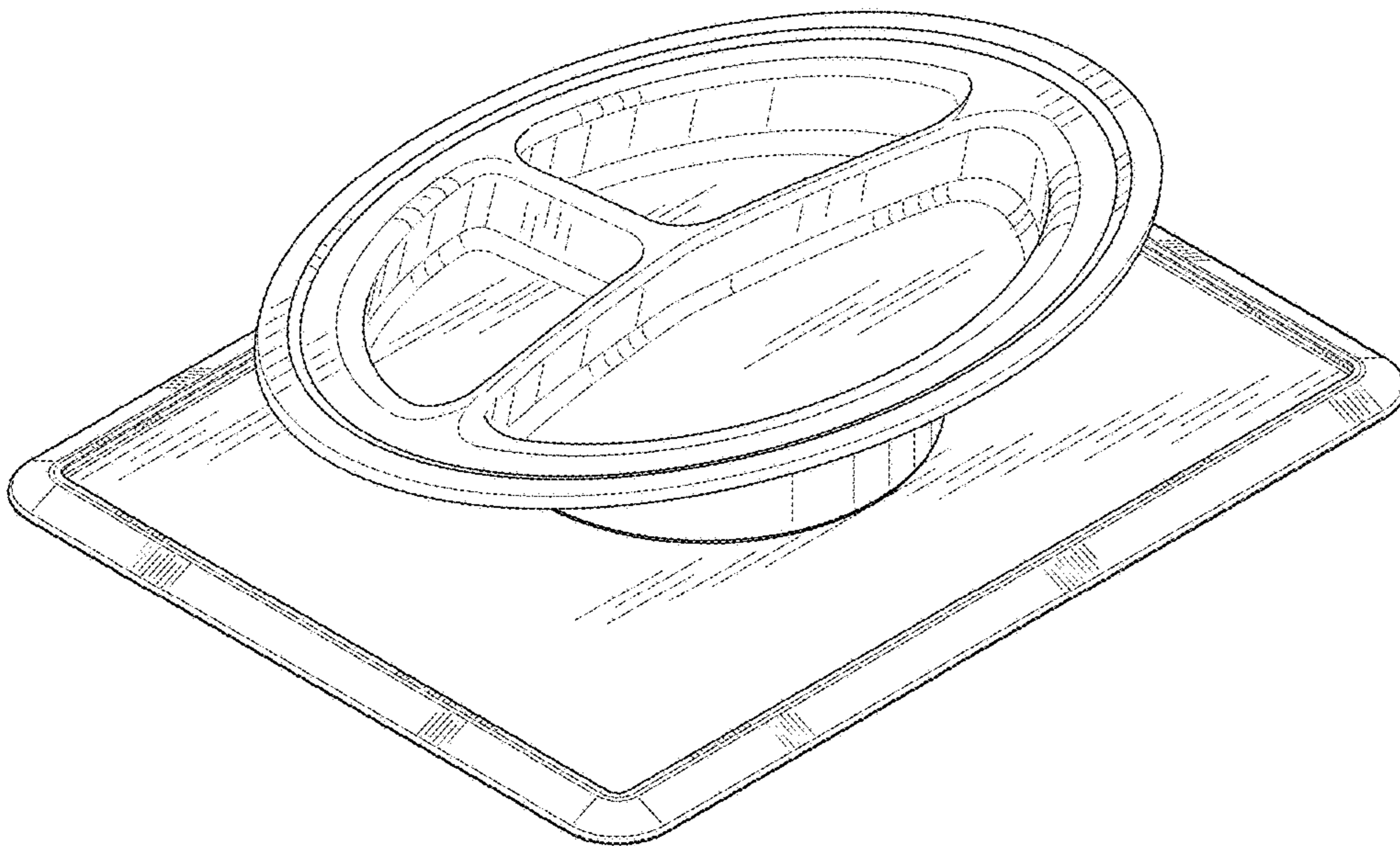


FIG. 8

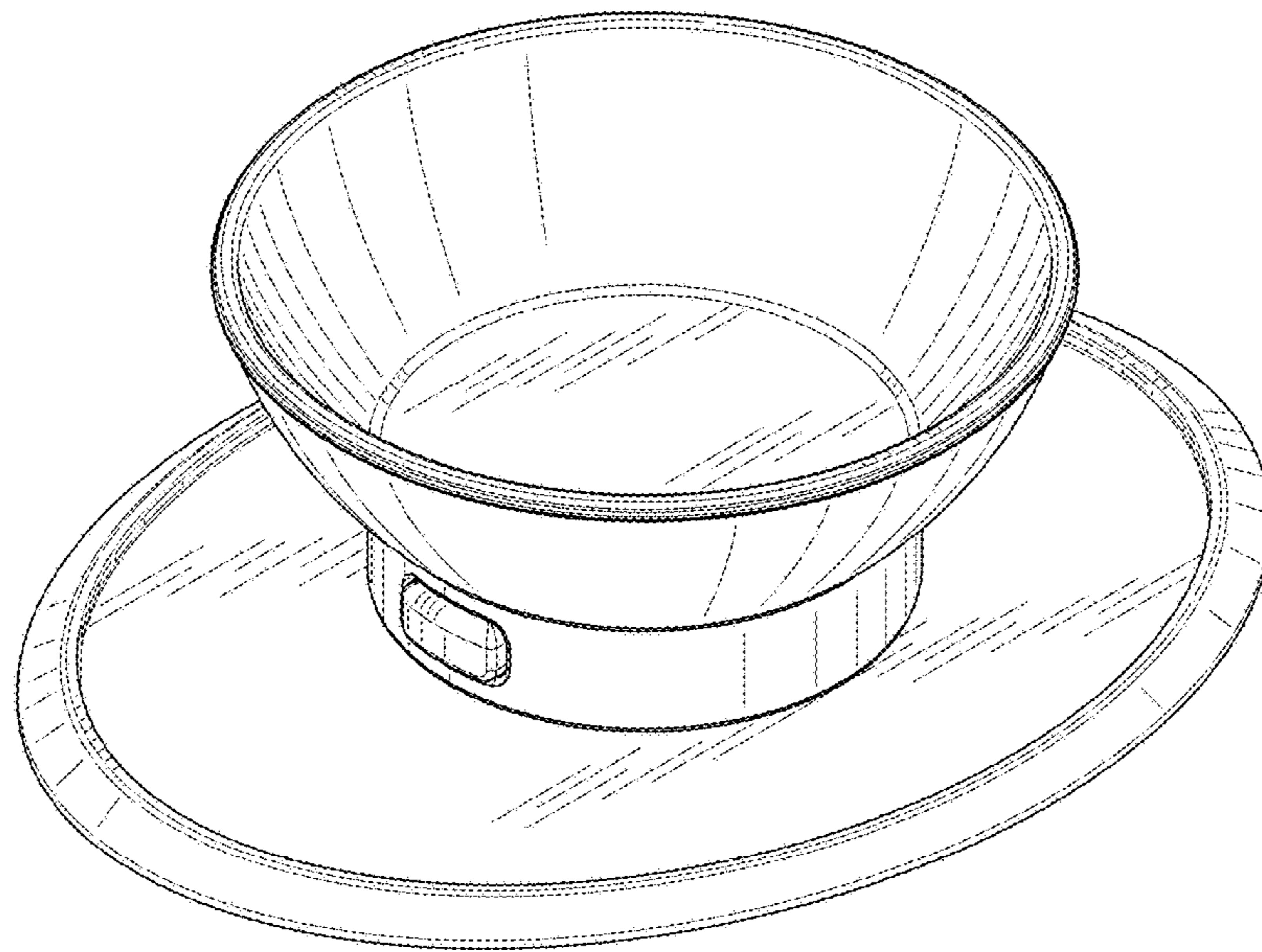


FIG. 9