



US00D812431S

(12) **United States Design Patent**
Carvin et al.

(10) **Patent No.:** **US D812,431 S**
(45) **Date of Patent:** **** Mar. 13, 2018**

(54) **DRINKING GLASS**

(71) Applicant: **1/4 VIN, Sollies Pont (FR)**

(72) Inventors: **Pascal Carvin, Sollies Pont (FR);
Christian Mura, Le Plan du Castellet (FR)**

(73) Assignee: **1/4 VIN, Sollies Pont (FR)**

(**) Term: **15 Years**

(21) Appl. No.: **29/545,774**

(22) Filed: **Nov. 16, 2015**

(30) **Foreign Application Priority Data**

Jun. 4, 2015 (EM) 002.713

(51) **LOC (11) Cl.** **07-01**

(52) **U.S. Cl.**
USPC **D7/528; D7/524**

(58) **Field of Classification Search**
USPC D7/507, 509, 523, 524, 525, 526, 527,
D7/528, 530, 531, 532, 533, 536, 537,
D7/503, 510, 514, 515, 512, 608;
220/592.16, 502.17, 495.03, 740;
D3/202; D30/130, 121; 206/307, 217,
206/509; D9/424
CPC A47G 19/22; A47G 19/2205; A47G
19/2227; A47G 23/0233; A47G 19/2288;
A45F 3/20; B65D 1/265; B29C 45/006
See application file for complete search history.

(56) **References Cited**

U.S. PATENT DOCUMENTS

600,427 A * 3/1898 Jones A47G 19/2255
215/377
2,169,426 A * 8/1939 Morton A47G 19/2255
215/12.1
3,393,819 A * 7/1968 Van De Walle ... A47G 19/2255
156/275.5

3,482,731 A * 12/1969 Douty B65D 7/04
215/377
3,526,335 A * 9/1970 Swett A47G 19/2255
215/10
4,151,923 A * 5/1979 Bernardi A47G 19/2288
215/12.1
D260,470 S * 9/1981 Angelakos D7/507
(Continued)

Primary Examiner — Marianne Pandozzi
Assistant Examiner — Jae Liang
(74) *Attorney, Agent, or Firm* — Ladas & Parry LLP

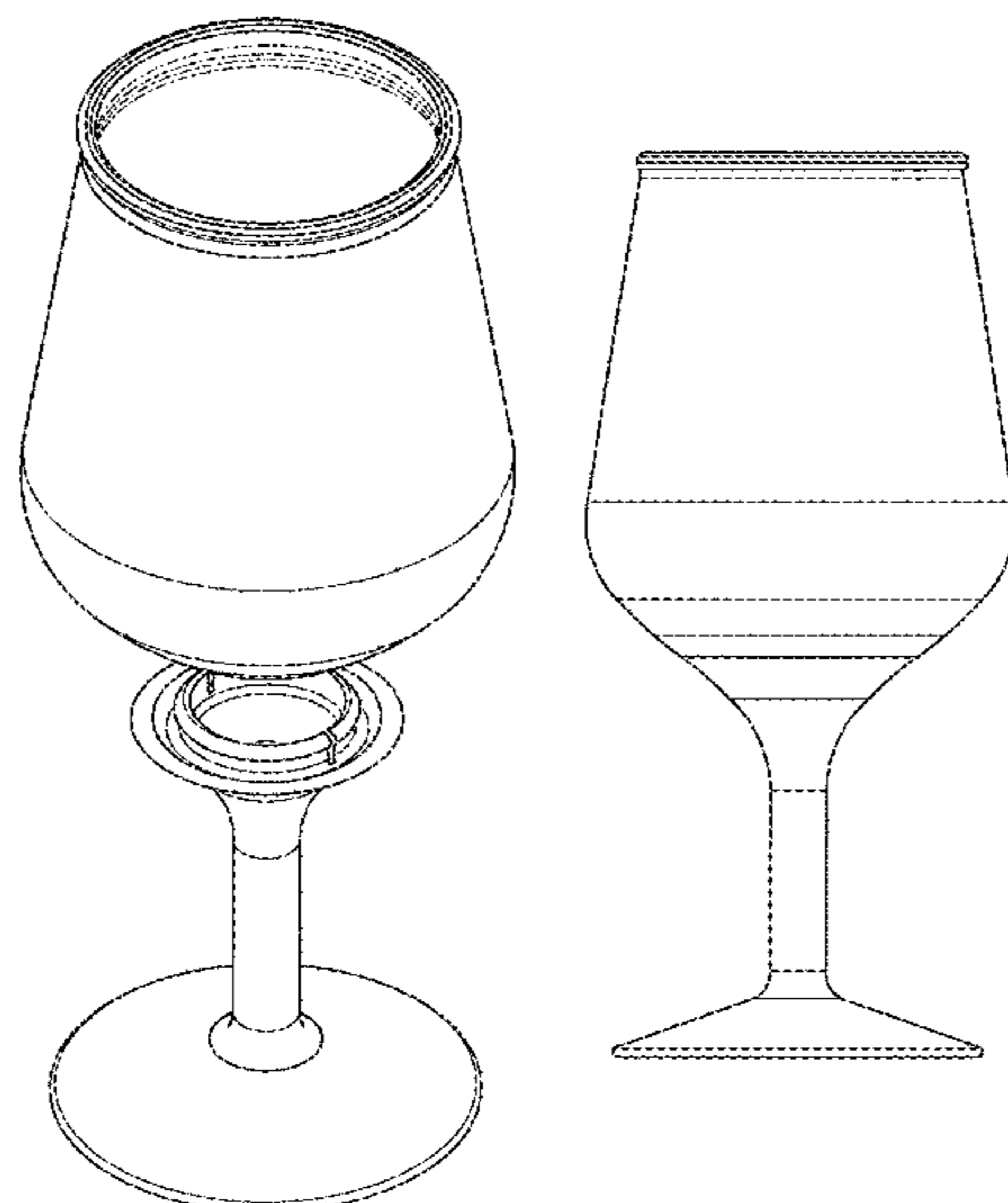
(57) **CLAIM**

We claim the ornamental design for drinking glasses, as shown and described.

DESCRIPTION

FIG. 1 is an exploded perspective view of a drinking glass showing our new design;
FIG. 2 is a front elevation view thereof;
FIG. 3 is a top plan view thereof;
FIG. 4 is a bottom plan view thereof;
FIG. 5 is a perspective view thereof;
FIG. 6 is a front elevation view of the top portion of the drinking glass with the foot portion removed for ease of illustration;
FIG. 7 is a perspective view of FIG. 6;
FIG. 8 is a front elevation view of foot portion of the drinking glass with the top portion removed for ease of illustration;
FIG. 9 is a perspective view of FIG. 8; and,
FIG. 10 is a top plan view of FIG. 8.
The broken lines in the drawings depict portions of the drinking glass that form no part of the claimed design.
The drinking glass of our new design includes a top portion shown in FIGS. 6 and 7 that can be mounted as shown in FIGS. 1-2 on a foot portion as shown in FIGS. 8-10 that connects to the bottom of the top portion.

1 Claim, 8 Drawing Sheets



(56)

References Cited

U.S. PATENT DOCUMENTS

5,014,865 A * 5/1991 Sauber F21V 35/00
215/377
D355,812 S * 2/1995 DuBow D7/524
D358,080 S * 5/1995 Handler D7/507
5,419,455 A * 5/1995 Russeau A47G 19/06
206/562
5,879,068 A * 3/1999 Menashrov A47G 19/2227
362/101
6,662,959 B1 * 12/2003 Westerhold A47G 19/2255
215/377
D507,933 S * 8/2005 Carmichael D7/505
D560,436 S * 1/2008 Mangano D7/500
D565,904 S * 4/2008 Bodum D7/509
7,861,888 B2 * 1/2011 Niedzwiecki A47G 19/2255
206/499
D651,467 S * 1/2012 Bodum D7/509
D713,205 S * 9/2014 Katterheinrich D7/523
8,829,824 B2 * 9/2014 Scott A47G 19/2255
315/377
D718,576 S * 12/2014 Hinterleitner D7/523
9,044,112 B2 * 6/2015 Lee A45F 3/20

* cited by examiner

FIG. 1

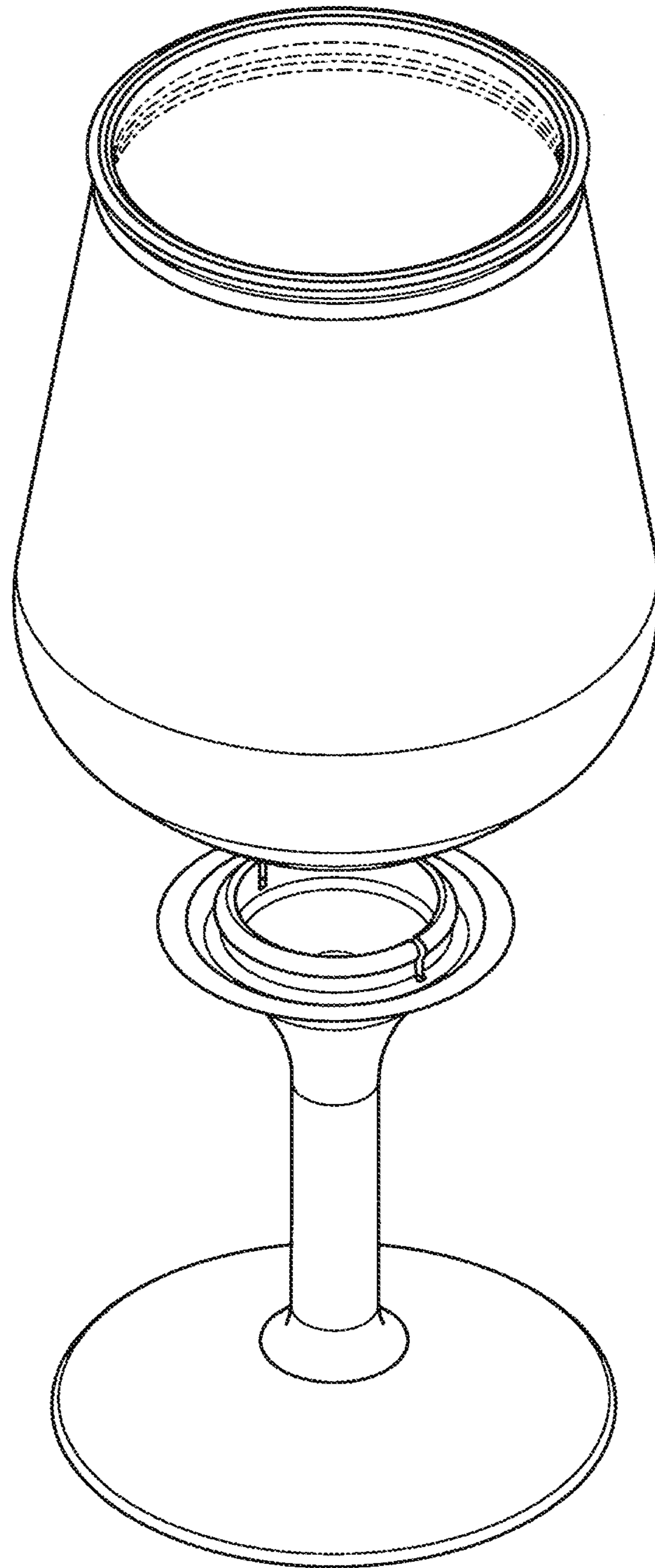


FIG. 2

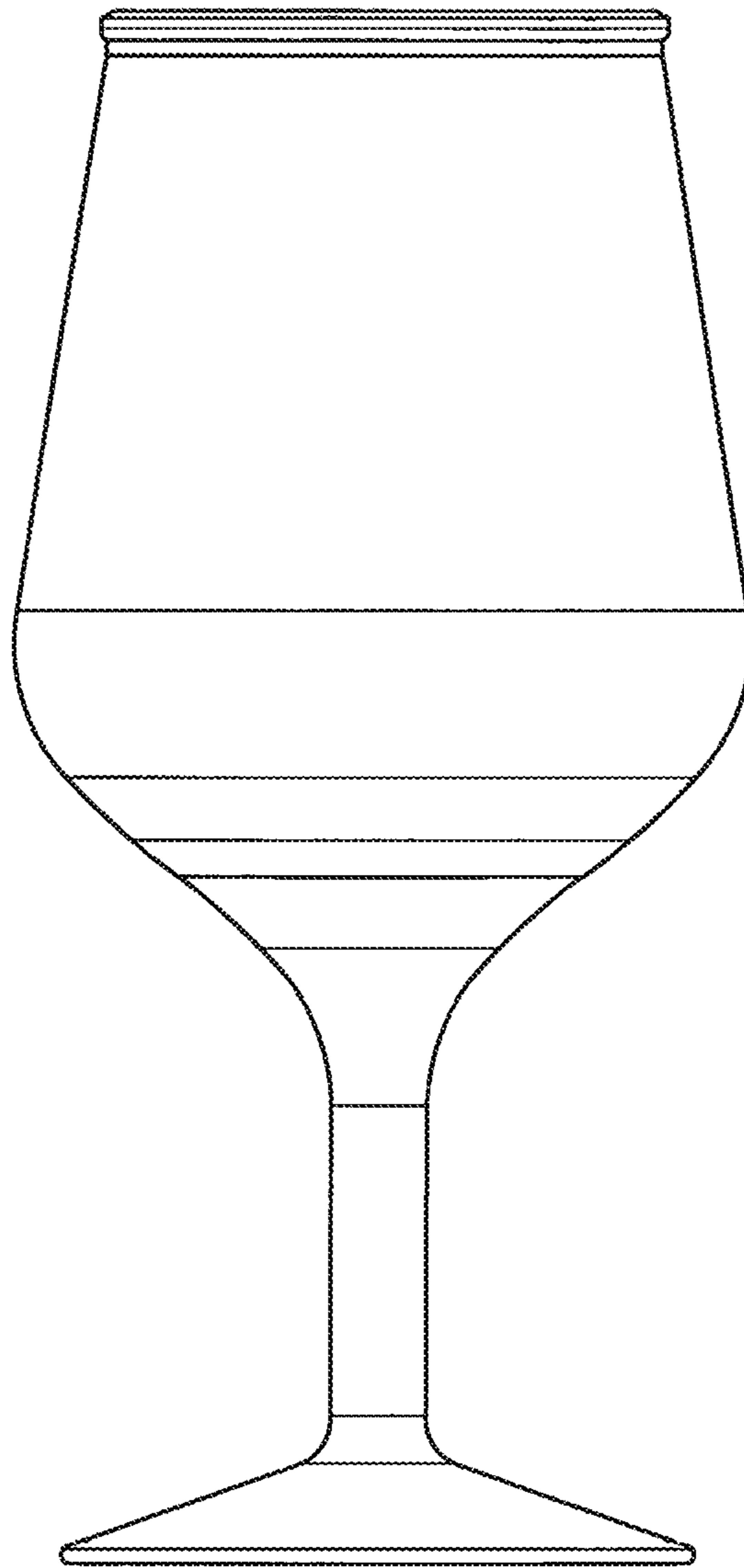


FIG. 3

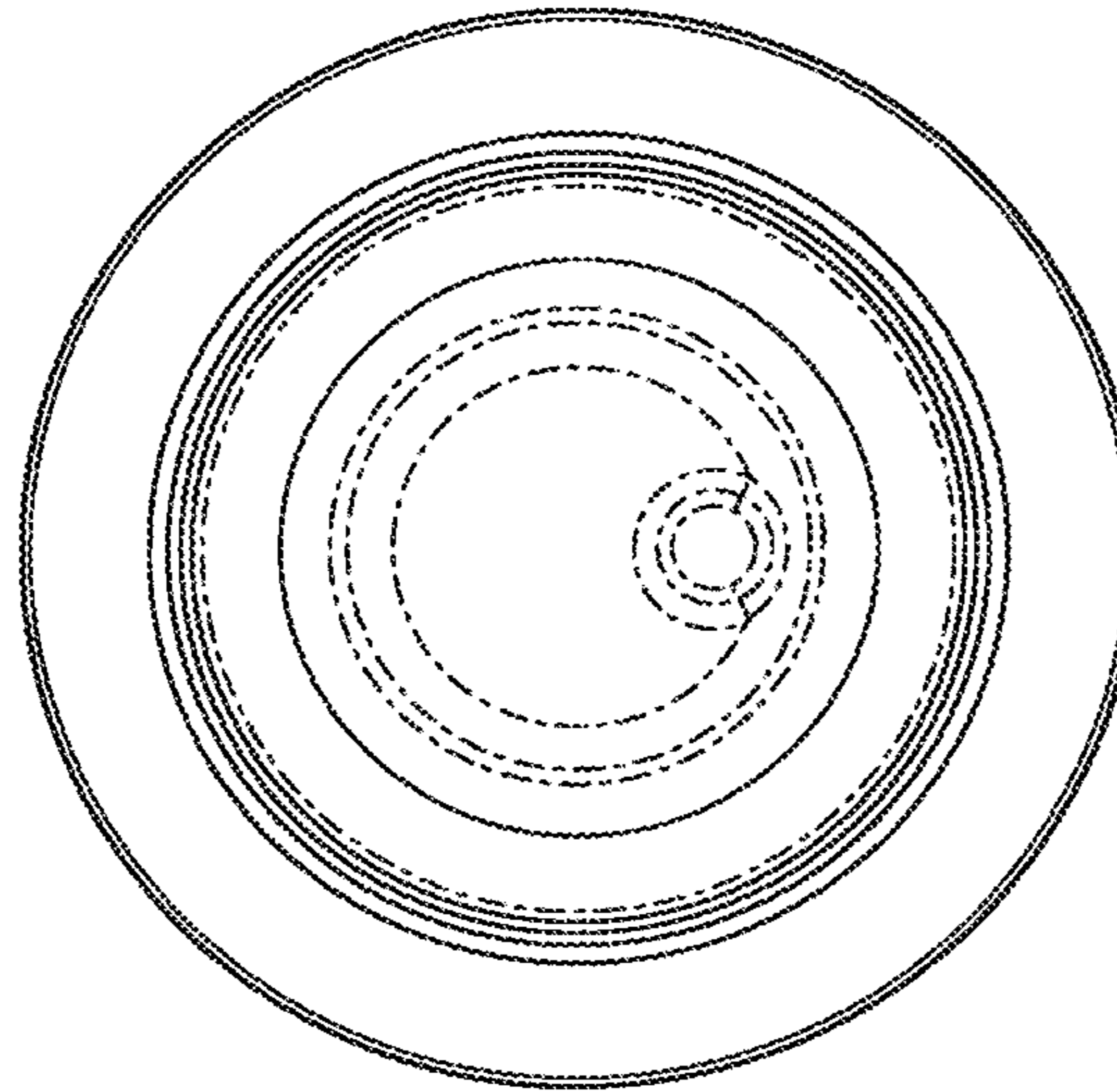


FIG. 4

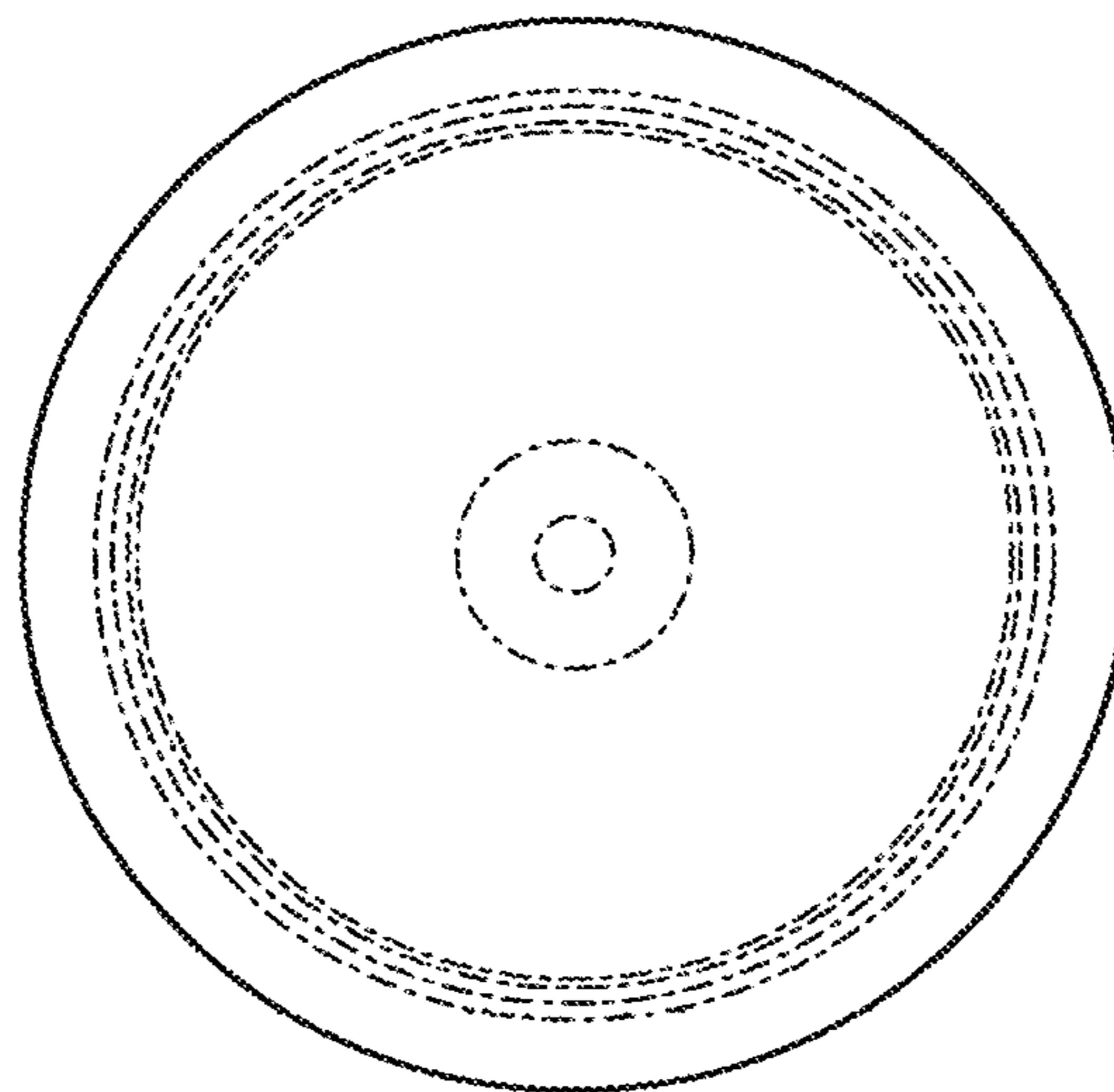


FIG. 5

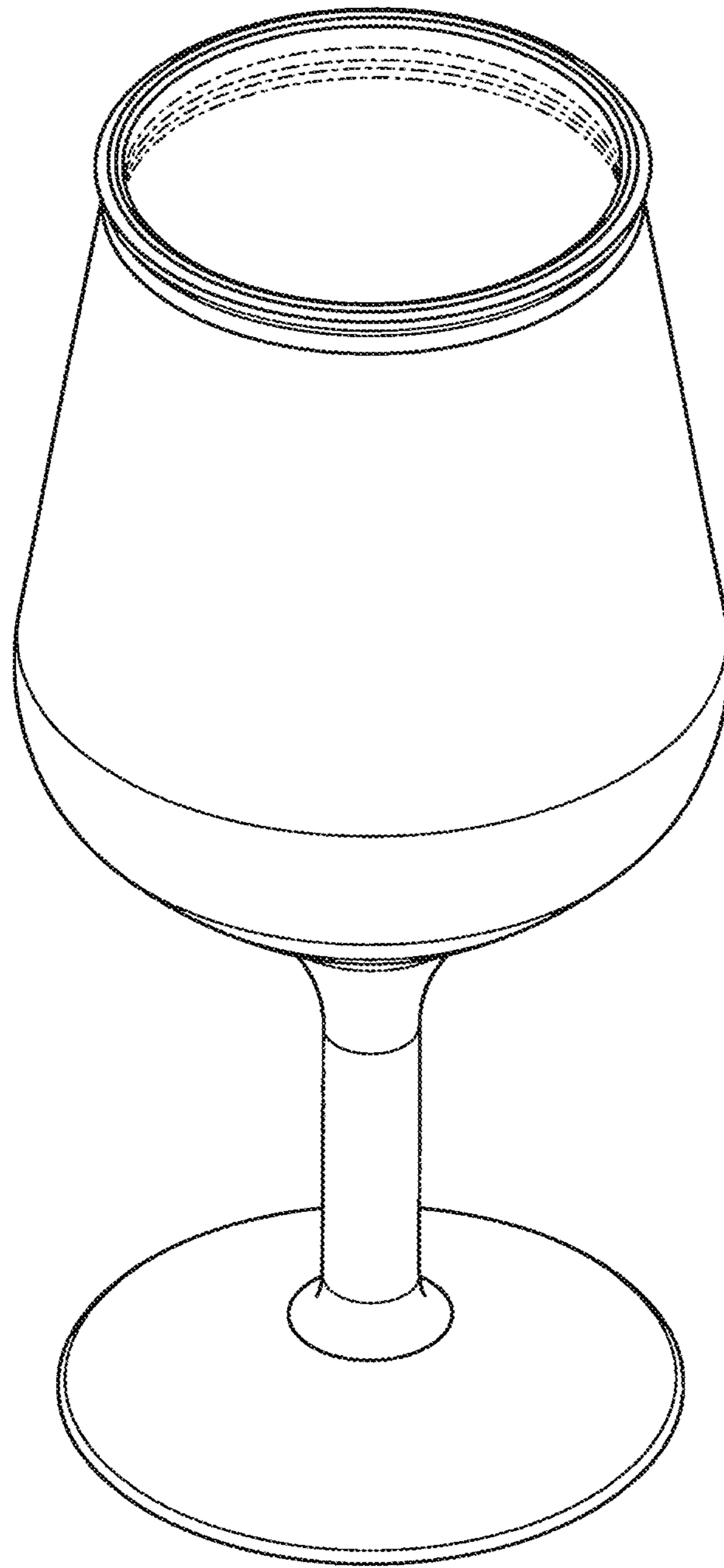


FIG. 6

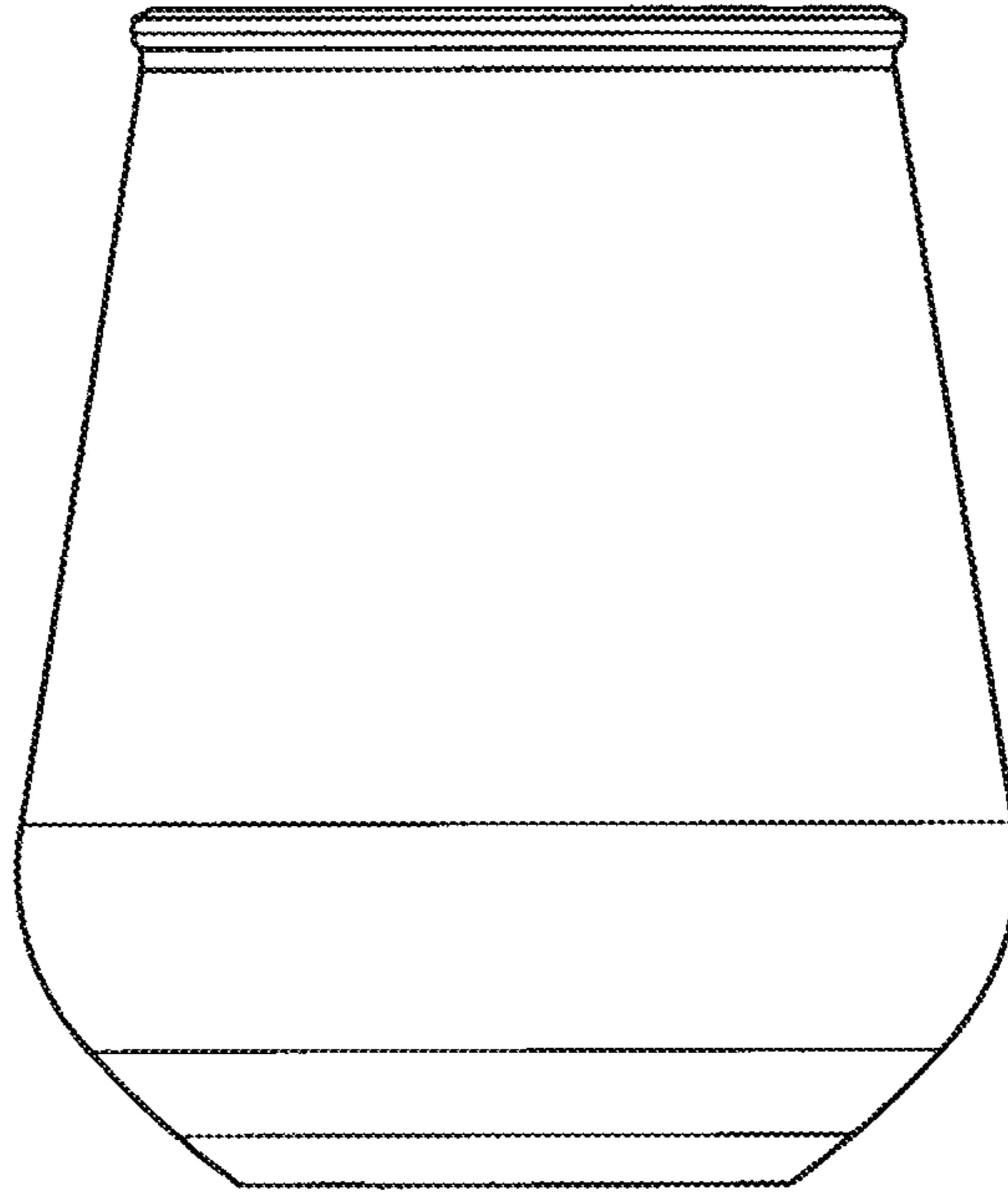
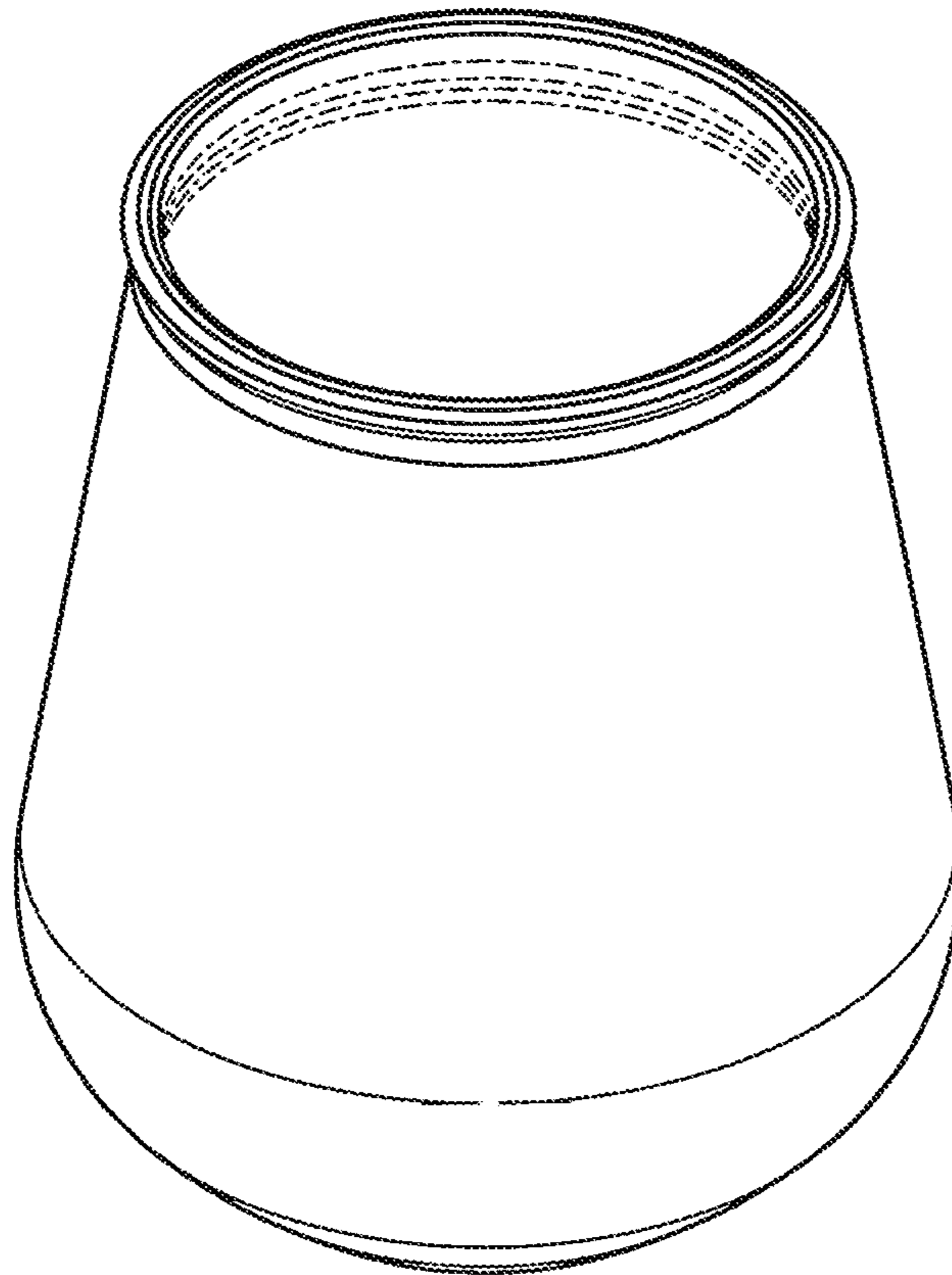


FIG. 7



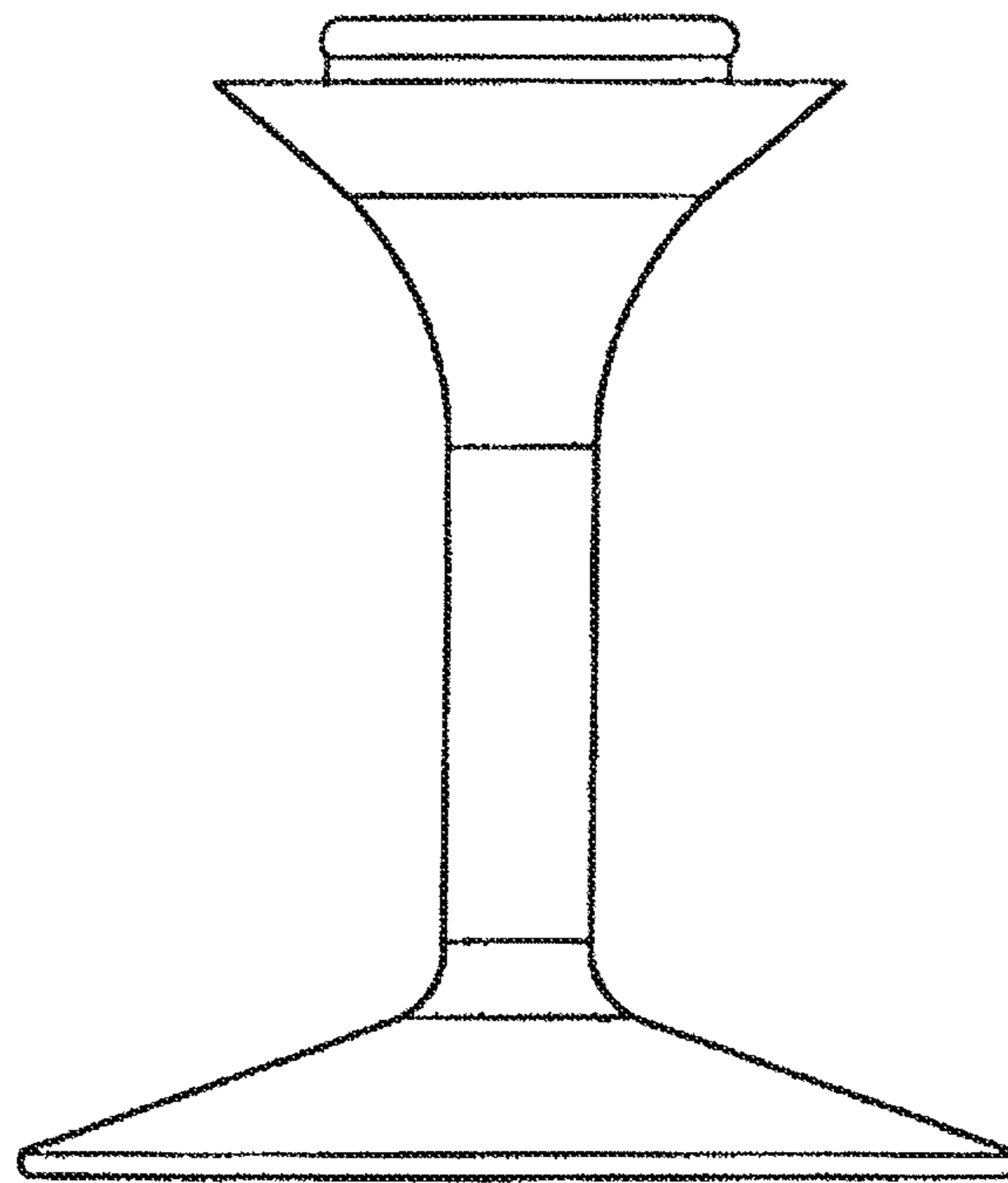


FIG 8

FIG. 9

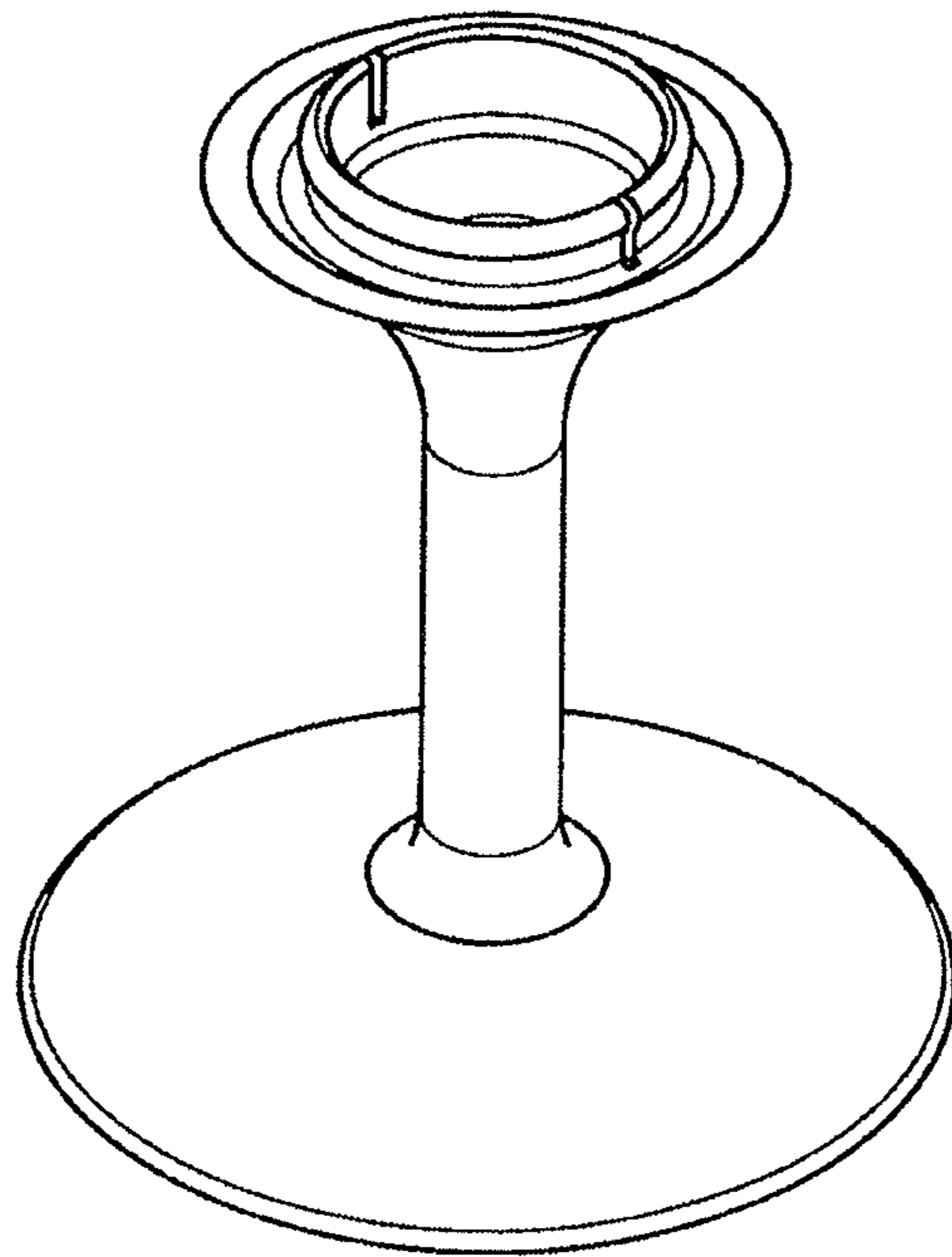
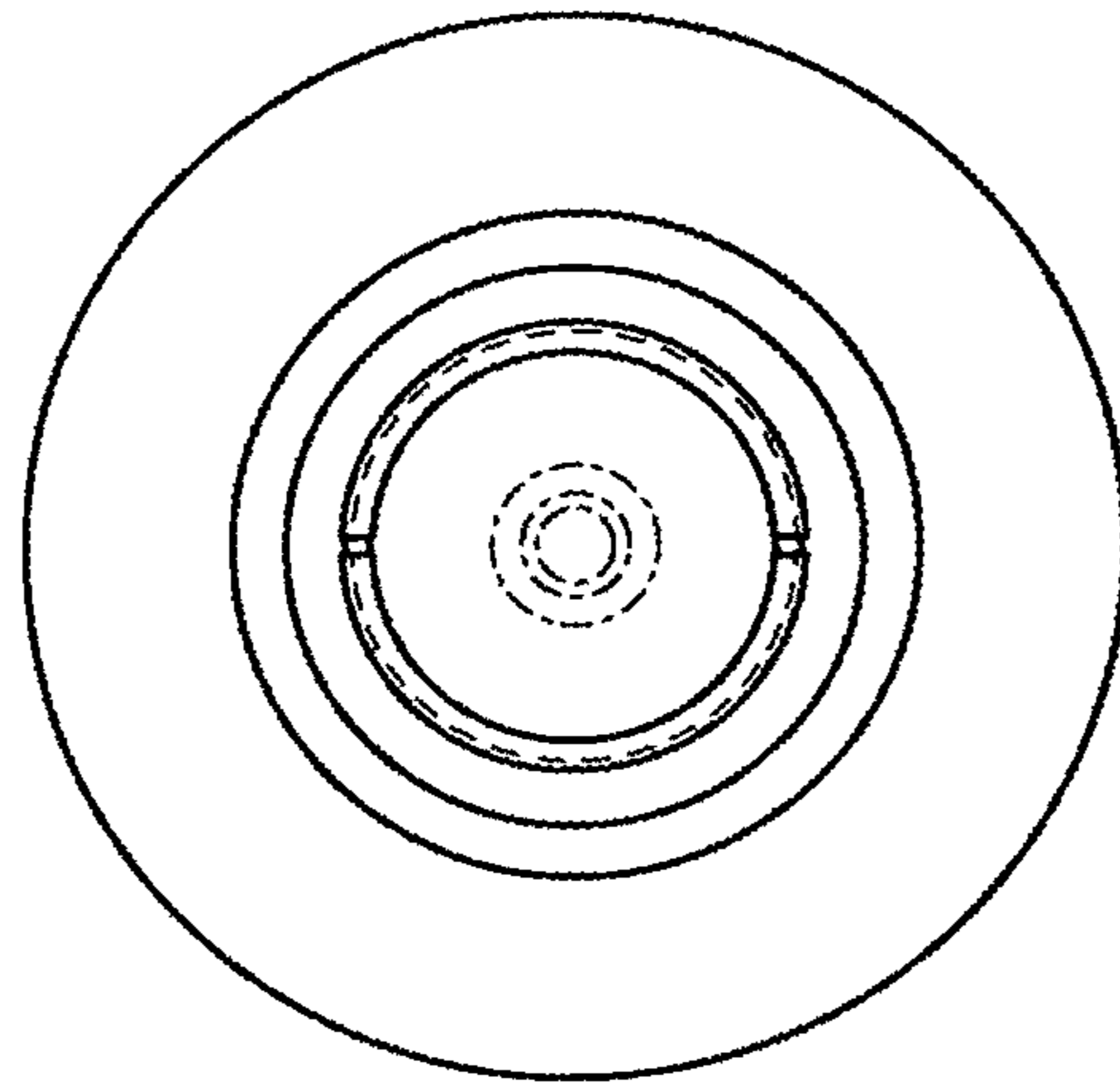


FIG. 10



UNITED STATES PATENT AND TRADEMARK OFFICE
CERTIFICATE OF CORRECTION

PATENT NO. : D812,431 S
APPLICATION NO. : 29/545774
DATED : March 13, 2018
INVENTOR(S) : Pascal Carvin et al.

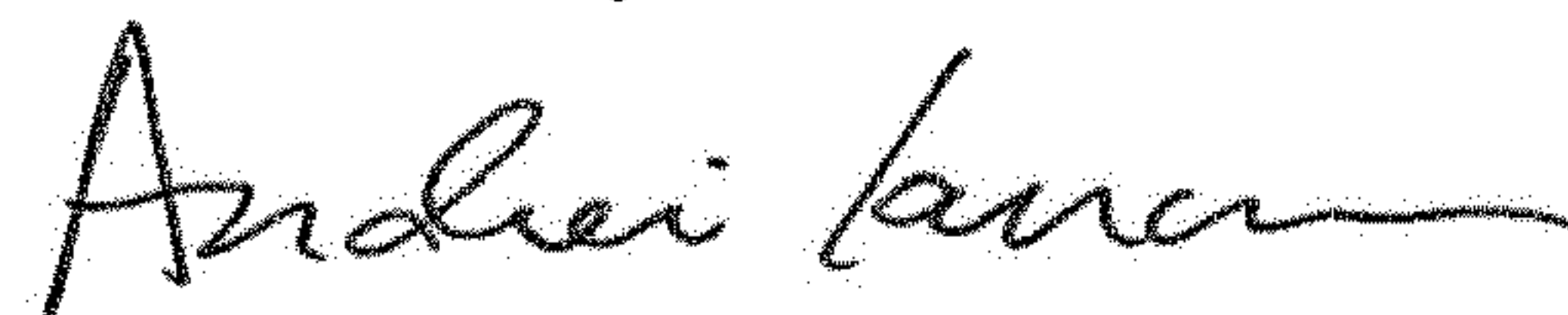
Page 1 of 1

It is certified that error appears in the above-identified patent and that said Letters Patent is hereby corrected as shown below:

On the Title Page

Column 1, Line 13 should read:
(30) Foreign Application Priority Data
Jun. 4, 2015 (EM)..... 002.713.347

Signed and Sealed this
Eleventh Day of December, 2018



Andrei Iancu
Director of the United States Patent and Trademark Office