

US00D812428S

(12) **United States Design Patent** (10) **Patent No.:** **US D812,428 S**  
**Wu** (45) **Date of Patent:** **\*\* Mar. 13, 2018**

(54) **BOTTLE**

6,779,677 B2 \* 8/2004 Chupak ..... B65D 1/0207  
215/335

(71) Applicant: **Arthur Wu**, North Hollywood, CA  
(US)

(Continued)

(72) Inventor: **Arthur Wu**, North Hollywood, CA  
(US)

**OTHER PUBLICATIONS**

(73) Assignee: **Arthur Wu**, Long Beach, CA (US)

www.amazon.co.jp/  
%E7%9C%9F%E7%A9%BA%E6%96%AD%E7%86%B1-  
%E3%82%B9%E3%82%AF%E3%83%AA%E3%83%A5%E3%  
83%BC%E5%BC%8F-0-45L-  
%E3%83%9B%E3%83%AF%E3%82%A4%E3%83%88-  
DMMB450WH/dp/B01IT9OTUU/  
ref=pd\_sbs\_79\_2?\_encoding=UTF8&psc=1  
&refRID=AAW7945D1HJZWJKJ0MA7 Mosh 0716.\*

(\*\*) Term: **15 Years**

(Continued)

(21) Appl. No.: **29/574,848**

(22) Filed: **Aug. 18, 2016**

(51) **LOC (11) Cl.** ..... **07-01**

(52) **U.S. Cl.**

USPC ..... **D7/510**; D7/511; D7/536; D9/503

(58) **Field of Classification Search**

USPC ..... D7/507, 509, 510, 511, 523, 529, 530,  
D7/531, 532, 533, 534, 535, 536, 608,  
D7/392.1, 396.2, 396.4, 387, 394, 515,  
D7/554.2, 543, 546, 300.1; D9/434, 450,  
D9/531, 503, 505, 516, 435, 440, 449,  
D9/523, 520, 500, 517; D10/46.2;  
D24/197, 199, 122; 220/592.16, 592.17;  
D3/202; 222/461, 146.5, 481  
CPC ..... A47G 19/22; A47G 19/2205; A47G  
19/2227; A47G 19/2266; A47F 3/16;  
B65D 47/066

See application file for complete search history.

*Primary Examiner* — Marianne Pandozzi

*Assistant Examiner* — Jae Liang

(57) **CLAIM**

The ornamental design for a bottle, as shown and described.

**DESCRIPTION**

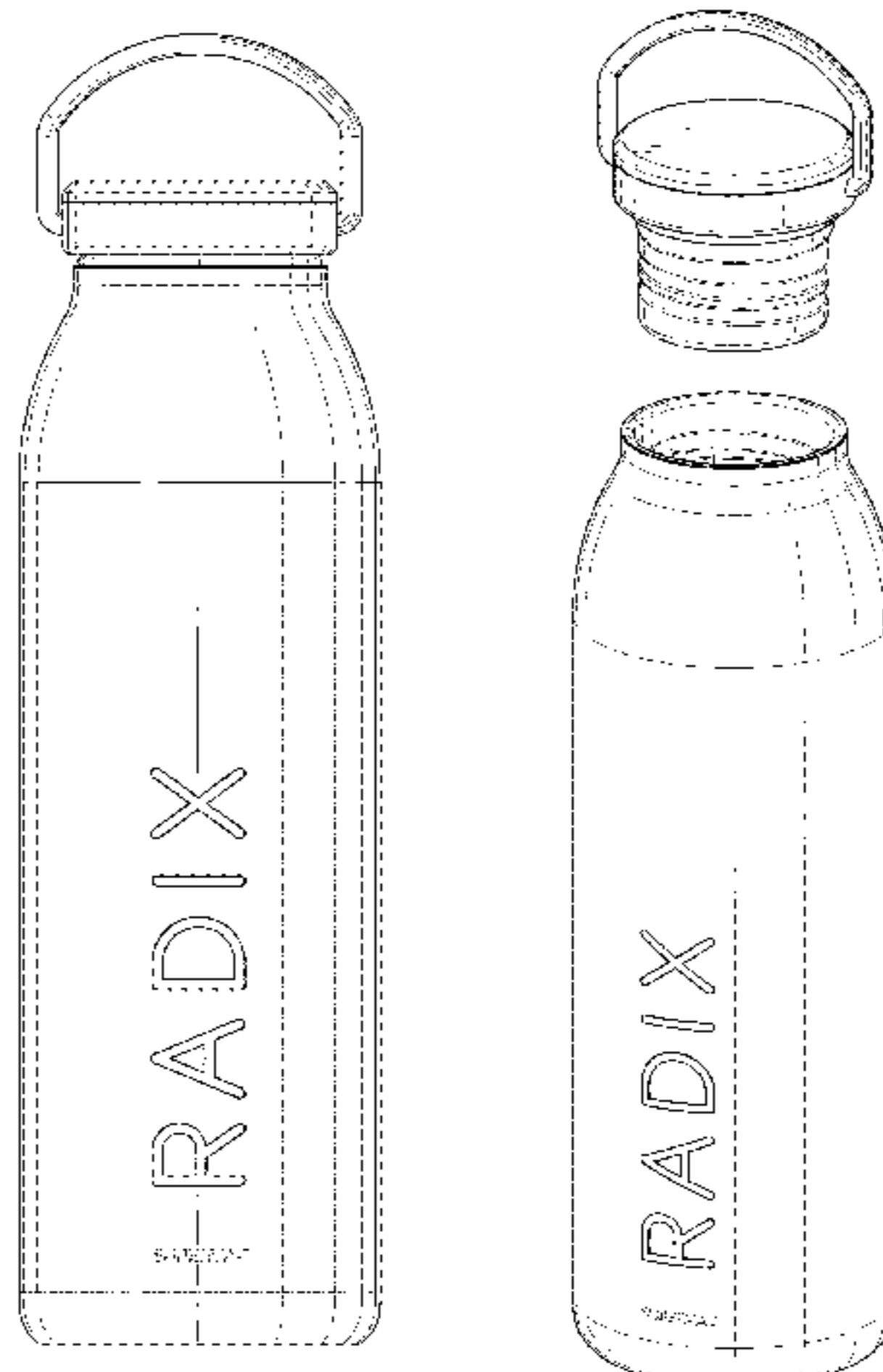
FIG. 1 is a front, first side, top perspective view of a bottle in a closed configuration showing my new design;  
FIG. 2 is a rear, second side, bottom perspective view thereof;  
FIG. 3 is a front view thereof;  
FIG. 4 is a rear view thereof;  
FIG. 5 is a first side view thereof;  
FIG. 6 is a second side view thereof;  
FIG. 7 is a top view thereof;  
FIG. 8 is a bottom view thereof;  
FIG. 9 is a front, first side, top perspective view of a bottle in an open configuration; and,  
FIG. 10 is a front, second side, bottom perspective view of a bottle in an open configuration.  
The broken lines in the drawings depict portions of the bottle that form no part of the claimed design.  
The trademark material "Radix" forms part of the claimed design. The owner of the registered trademark is Arthur Wu, DBA Radix Products LLC located at 5040 Tujunga Ave Suite 17 North Hollywood, Calif. 91601.

(56) **References Cited**

**U.S. PATENT DOCUMENTS**

D26,065 S \* 9/1896 Jenkins ..... D9/500  
1,329,975 A \* 2/1920 Kines ..... B65D 1/04  
215/6  
1,417,282 A \* 5/1922 Senio ..... B65D 51/04  
215/235  
D226,370 S \* 2/1973 Cromb ..... D9/500  
D228,625 S \* 10/1973 Pearce ..... D9/500  
D434,608 S \* 12/2000 Hansen ..... D7/606  
D464,169 S \* 10/2002 McAuley ..... D27/162

**1 Claim, 9 Drawing Sheets**



(56)

References Cited

U.S. PATENT DOCUMENTS

D554,000 S \* 10/2007 Walsh ..... B65D 1/0207  
 D9/772  
 D568,747 S \* 5/2008 Sequeira ..... D9/500  
 D569,252 S \* 5/2008 Borsari ..... D9/500  
 D584,623 S \* 1/2009 Chupak ..... D9/500  
 D604,561 S \* 11/2009 Chisholm ..... D7/510  
 D615,405 S \* 5/2010 Bakic ..... D9/503  
 D620,357 S \* 7/2010 Jewett ..... D9/443  
 D624,362 S \* 9/2010 Wahl ..... D7/392.1  
 D624,417 S \* 9/2010 Bentley ..... D9/500  
 D627,601 S \* 11/2010 Eyal ..... D7/510  
 D629,653 S \* 12/2010 Gullickson ..... D7/510  
 D632,574 S \* 2/2011 Huntington ..... D9/443  
 D635,457 S \* 4/2011 Lane ..... D7/510  
 D641,594 S \* 7/2011 Huang ..... D7/608  
 D647,402 S \* 10/2011 Uribe Juarez ..... D9/504  
 D655,571 S \* 3/2012 Tuttle ..... D7/510  
 D658,445 S \* 5/2012 Carreno ..... D7/510  
 D660,704 S \* 5/2012 Simmons ..... D9/449  
 D671,409 S \* 11/2012 Cohen ..... D9/500

D672,609 S \* 12/2012 Aziz ..... D7/507  
 D677,119 S \* 3/2013 Ying ..... D7/392.1  
 D690,987 S \* 10/2013 Gallen ..... D7/392.1  
 D697,409 S \* 1/2014 Wilson ..... D9/503  
 D699,516 S \* 2/2014 Kim ..... D7/510  
 D700,808 S \* 3/2014 Eyal ..... D7/510  
 8,708,176 B2 \* 4/2014 Andis ..... B65D 41/04  
 215/329  
 D724,385 S \* 3/2015 Hurley ..... D7/511  
 D762,418 S \* 8/2016 Sorensen ..... D7/511  
 D763,622 S \* 8/2016 Shirley ..... D7/511  
 D786,012 S \* 5/2017 Hein ..... D7/396.2  
 9,681,732 B2 \* 6/2017 Winter ..... A45D 34/00  
 2016/0318693 A1 \* 11/2016 Hein ..... B65D 41/0442

OTHER PUBLICATIONS

Rhino Zing Stainless Steel Water Bottle Date: May 13, 2016  
<https://www.amazon.com/Rhino%ADZing%ADStainless%ADInsulated%AD18%ADOunce/dp/B01CWZKO6K>.\*

\* cited by examiner

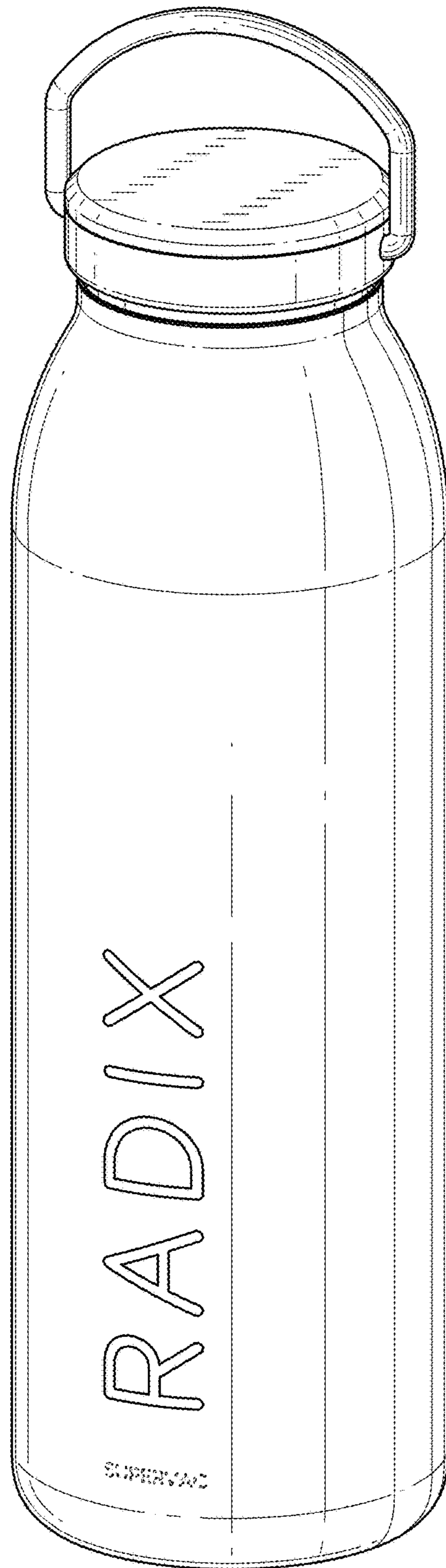


FIG. 1

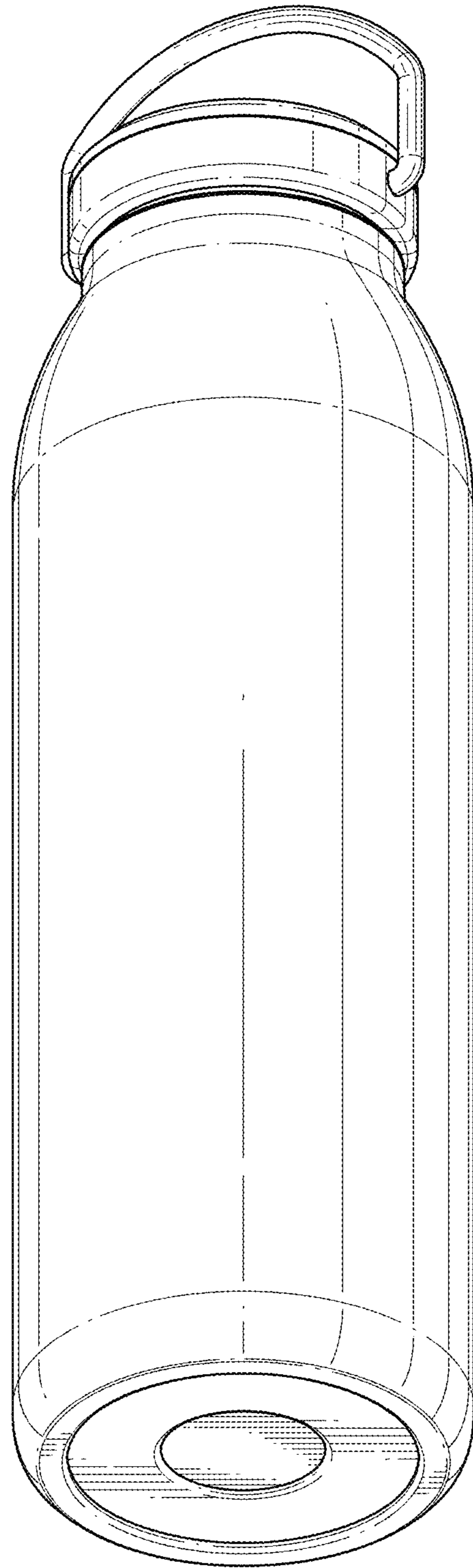


FIG. 2

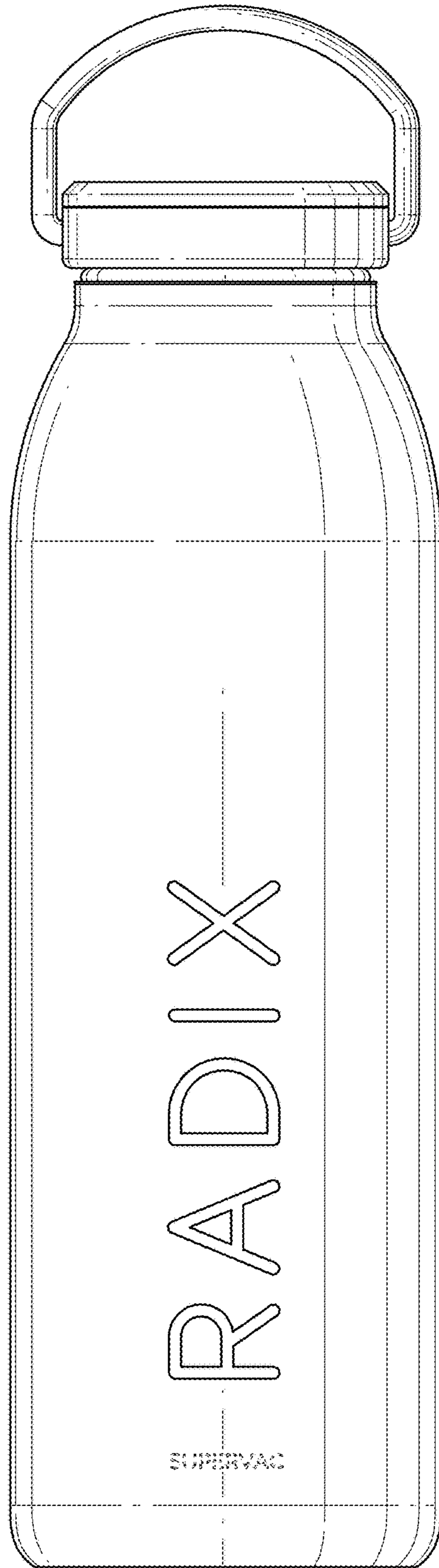


FIG. 3

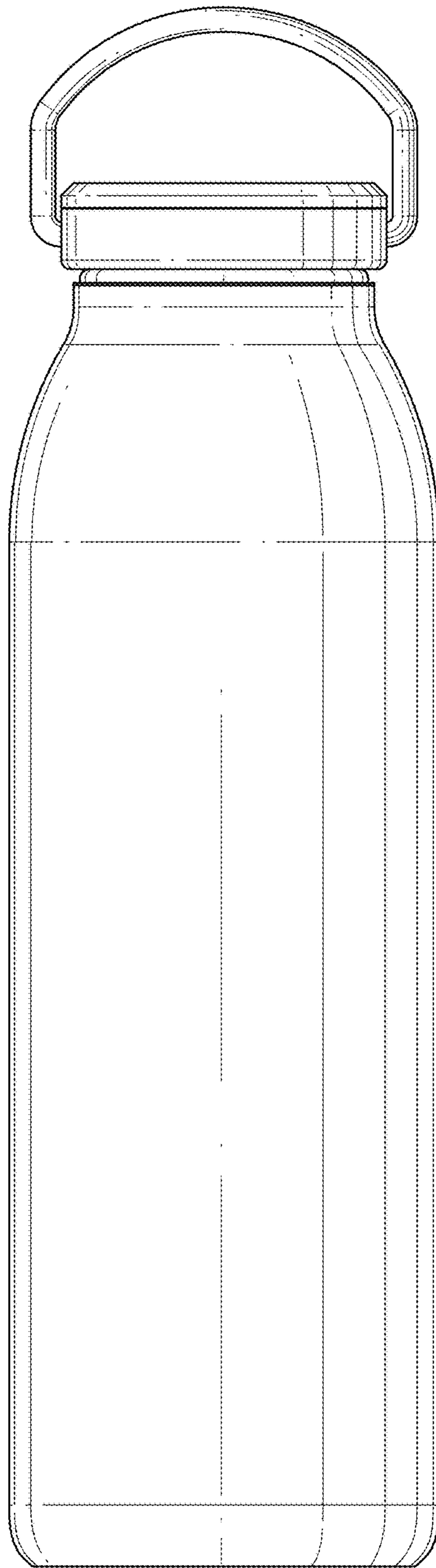


FIG. 4

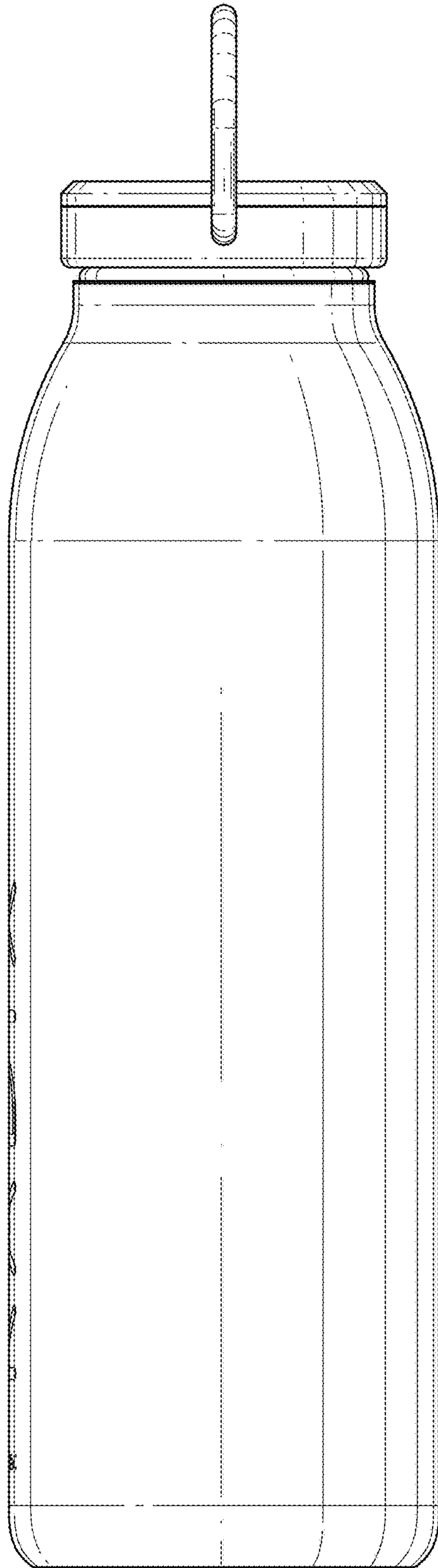


FIG. 5

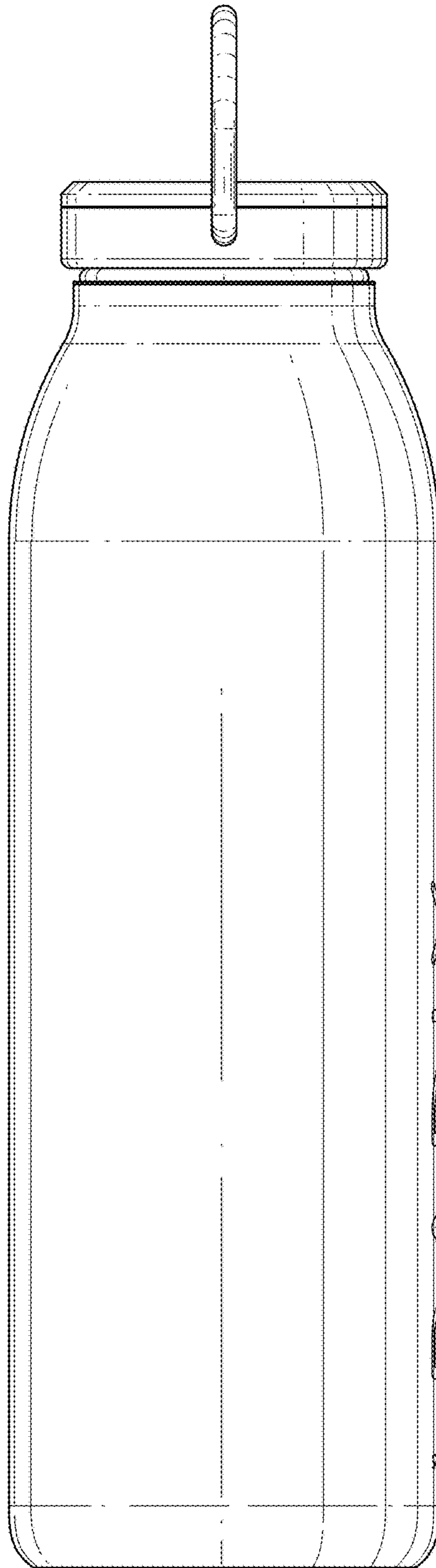
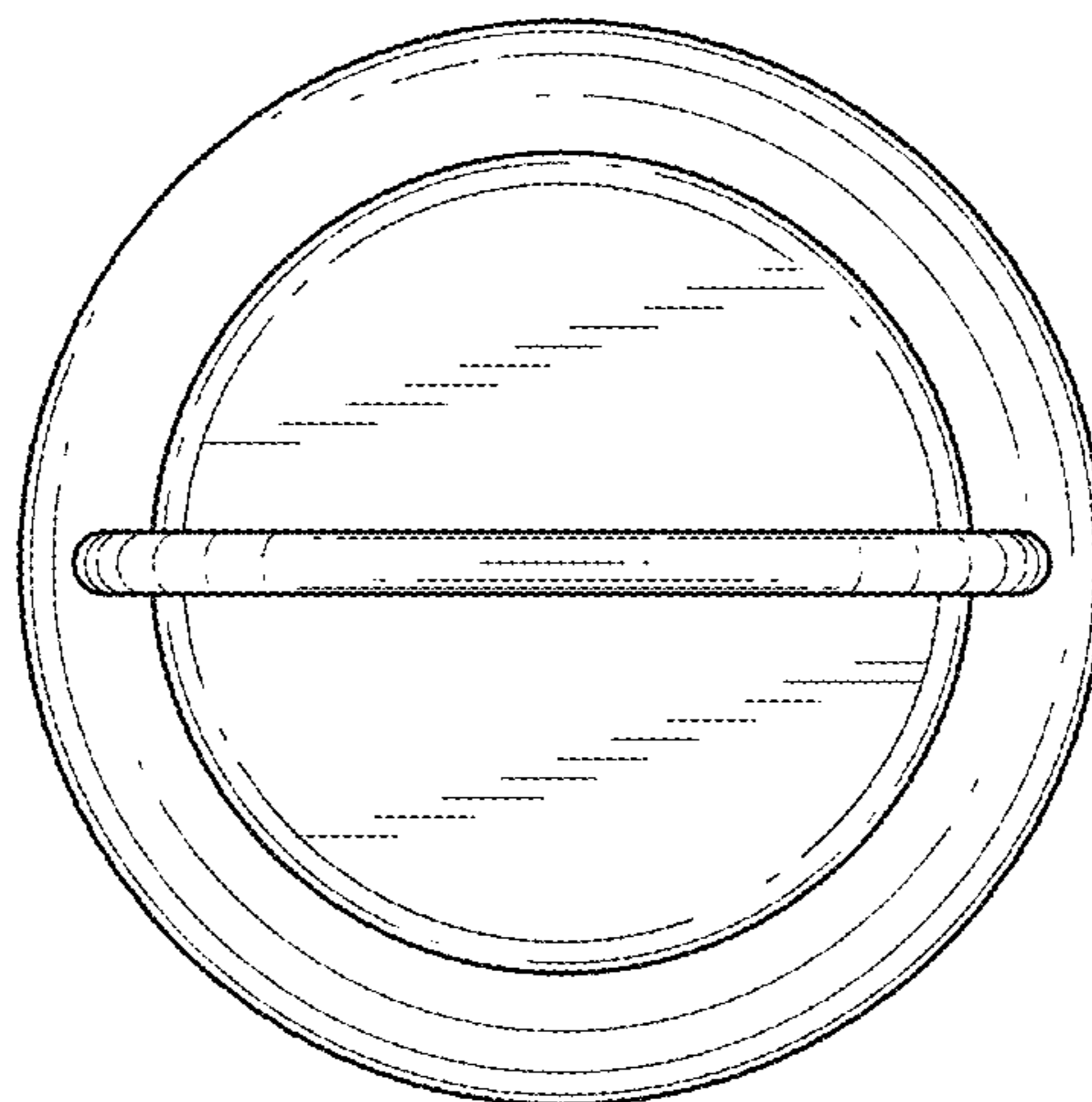
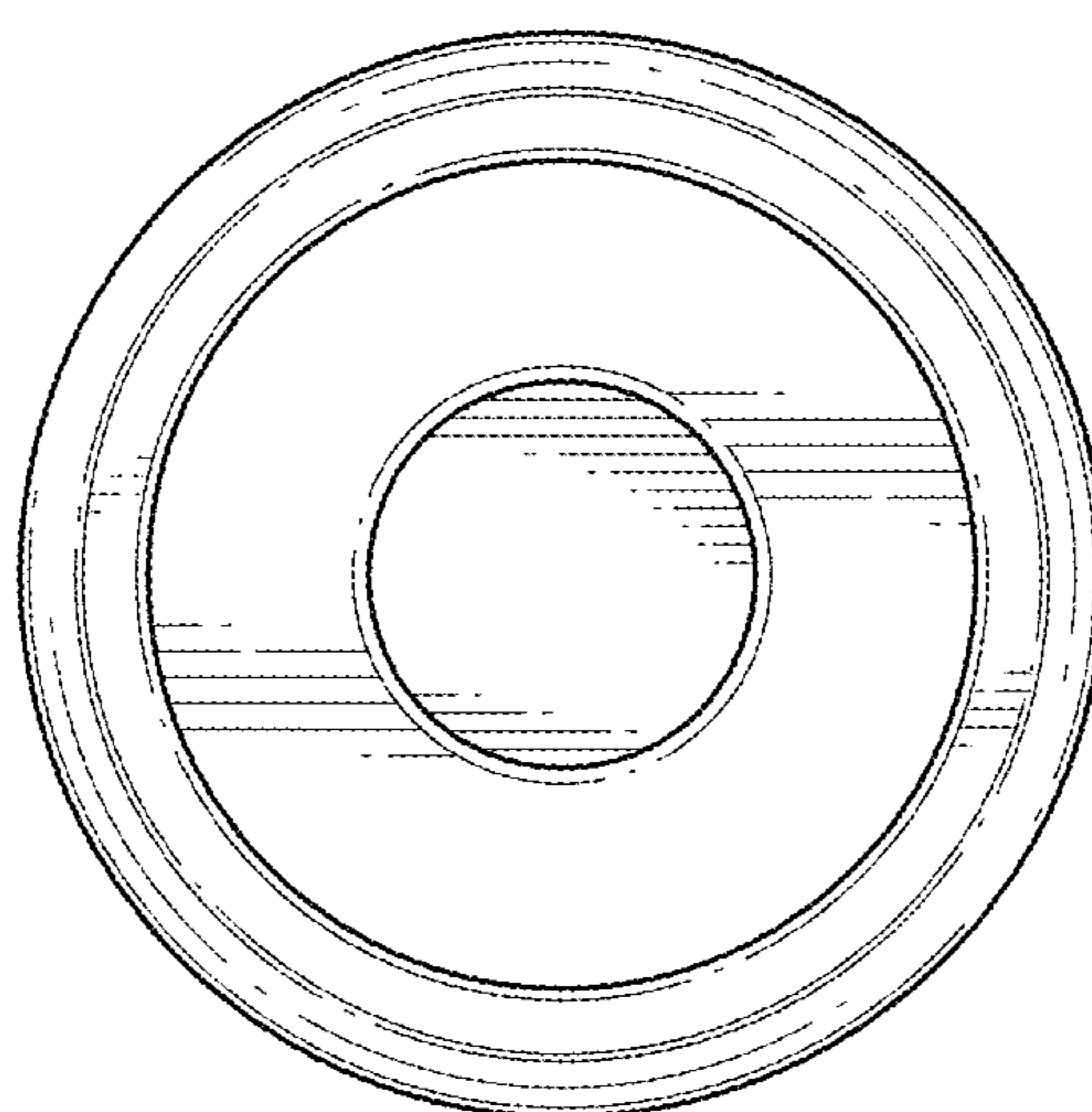


FIG. 6





*FIG. 7*



*FIG. 8*

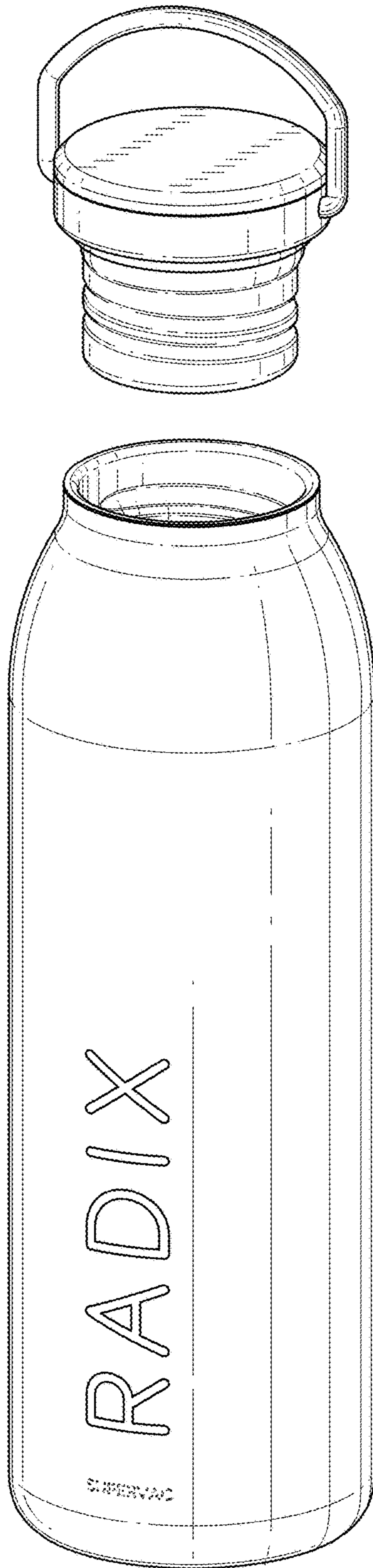


FIG. 9

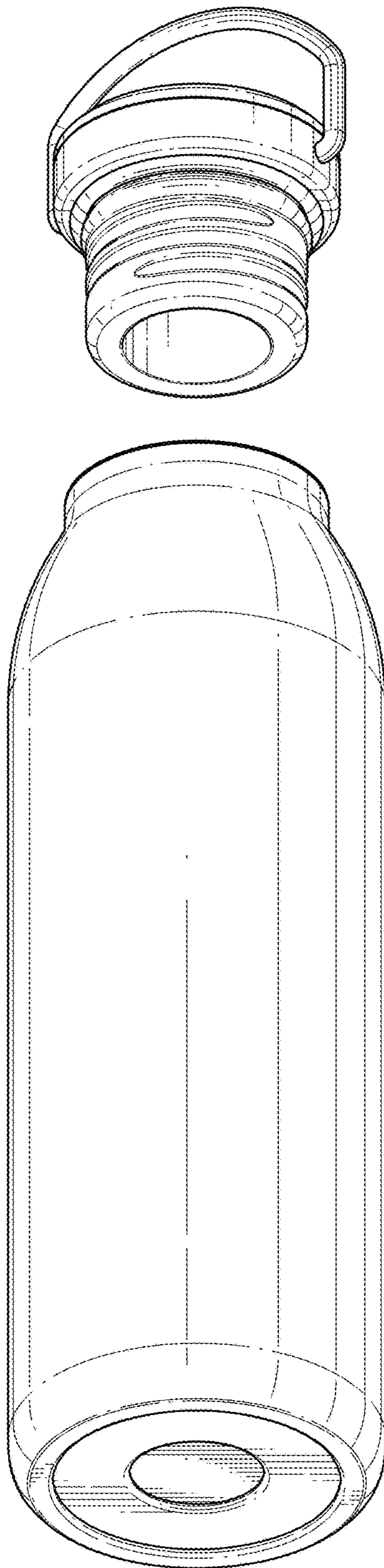


FIG. 10