



US00D812427S

(12) **United States Design Patent** (10) **Patent No.:** **US D812,427 S**
Barber (45) **Date of Patent:** **** Mar. 13, 2018**

(54) **SUPPLEMENT CUP**

(71) Applicant: **Stephen A Barber**, Salt Lake City, UT (US)

(72) Inventor: **Stephen A Barber**, Salt Lake City, UT (US)

(**) Term: **15 Years**

(21) Appl. No.: **29/569,929**

(22) Filed: **Jul. 1, 2016**

(51) **LOC (11) Cl.** **07-01**

(52) **U.S. Cl.**
USPC **D7/510; D7/511; D7/507; D7/531; D7/513; D9/504**

(58) **Field of Classification Search**
USPC D7/507, 509, 510, 511, 523, 529, 530, D7/531, 532, 533, 536, 608, 598, 300.1, D7/320, 629, 392.1, 396.2, 396.6, 387, D7/667, 537, 524, 525, 601, 213, 619.1, D7/513; D9/435, 436, 443, 452, 453, D9/447, 440, 503, 708, 707, 504; 220/592.16, 592.17, 705, 495.03; 215/381; D3/202; D14/252, 411, 415, D14/253; D15/135
CPC A47G 19/22; A47G 19/2205; A47G 19/2211; A47G 19/2266; A47G 19/2272; A45F 3/16; B65D 47/066; B65D 5/60; B65D 25/16; B65D 53/02; B60R 2011/0008; B60R 11/02; B60R 11/0241; B60R 11/0258

See application file for complete search history.

(56) **References Cited**

U.S. PATENT DOCUMENTS

D254,714 S * 4/1980 Mascia D9/767
D255,655 S * 7/1980 Hart D9/737
5,749,489 A * 5/1998 Benner B65D 77/061
229/109

(Continued)

Primary Examiner — Marianne Pandozzi

Assistant Examiner — Jae Liang

(74) *Attorney, Agent, or Firm* — Bryant J. Keller; Kirton McConkie

(57) **CLAIM**

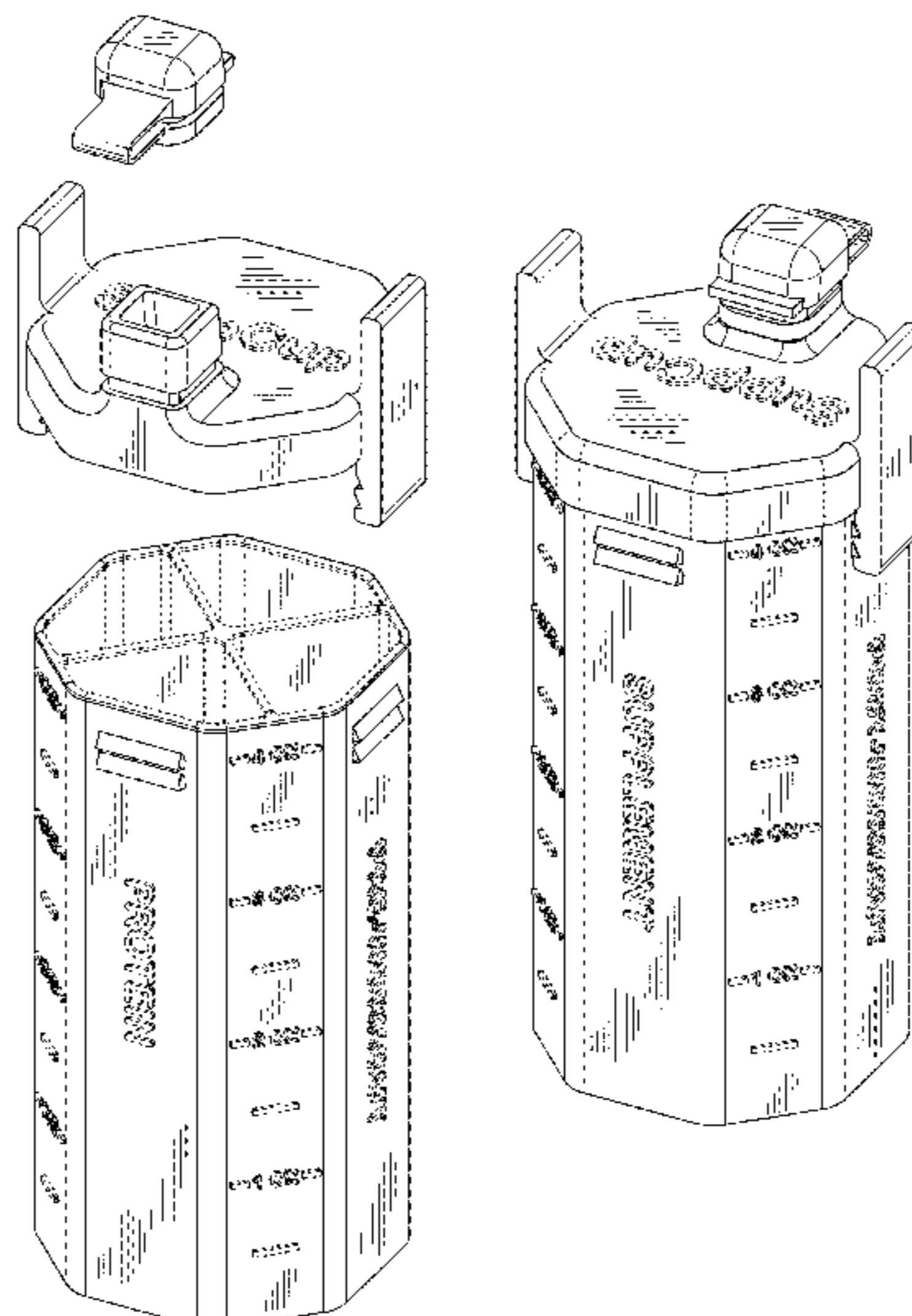
The ornamental design for a supplement cup, as shown and described.

DESCRIPTION

FIG. 1 is an exploded front, right side perspective view of a supplement cup showing my new design; the front, left side exploded view being a mirror image thereof; FIG. 2 is a front, right side perspective view thereof; FIG. 3 is a rear, left side perspective view thereof; FIG. 4 is a front elevational view thereof; FIG. 5 is a rear elevational view thereof; FIG. 6 is left side elevational view thereof; FIG. 7 is a right side elevational view thereof; FIG. 8 is a top plan view thereof; FIG. 9 is a bottom plan view thereof; FIG. 10 is a cross section view showing a section taken along line 10-10 in FIG. 8; FIG. 11 is a top plan view of the supplement cup with a lid portion removed for ease of illustration showing only a cup portion; FIG. 12 is a bottom plan view thereof; FIG. 13 is a right side perspective view of the supplement cup with the cup portion removed for ease of illustration showing only the lid portion; FIG. 14 is a front elevational view thereof; FIG. 15 is a rear elevational view thereof; FIG. 16 is a left side elevational view thereof; FIG. 17 is a right side elevational view thereof; FIG. 18 is a bottom plan view thereof; and, FIG. 19 is a top plan view thereof.

The broken lines in the drawing depict portions of the supplement cup that form no part of the claimed design.

1 Claim, 8 Drawing Sheets



(56)

References Cited

U.S. PATENT DOCUMENTS

6,446,859 B1 * 9/2002 Holladay B65D 5/10
229/109
D478,002 S * 8/2003 Lin D9/415
D489,939 S * 5/2004 Allanson D7/510
D573,839 S * 7/2008 Sun D7/510
D620,759 S * 8/2010 Lundberg D7/509
D640,133 S * 6/2011 Jones D9/430
D717,653 S * 11/2014 Chur D9/435
D777,514 S * 1/2017 McMullin D7/400
D791,606 S * 7/2017 Cobb D9/566
2010/0301108 A1 * 12/2010 Wisecarver B65D 5/029
229/174
2011/0111938 A1 * 5/2011 Smith B65D 5/0227
493/162
2014/0110411 A1 * 4/2014 Saslekov B65D 5/60
220/495.03

* cited by examiner

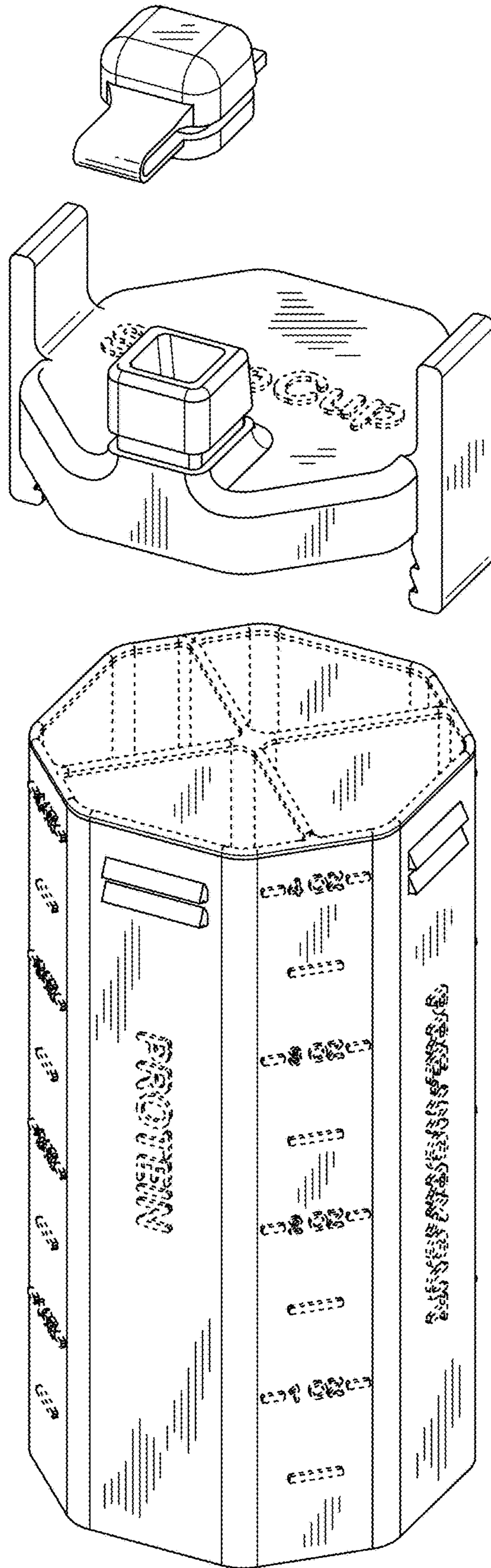


FIG. 1

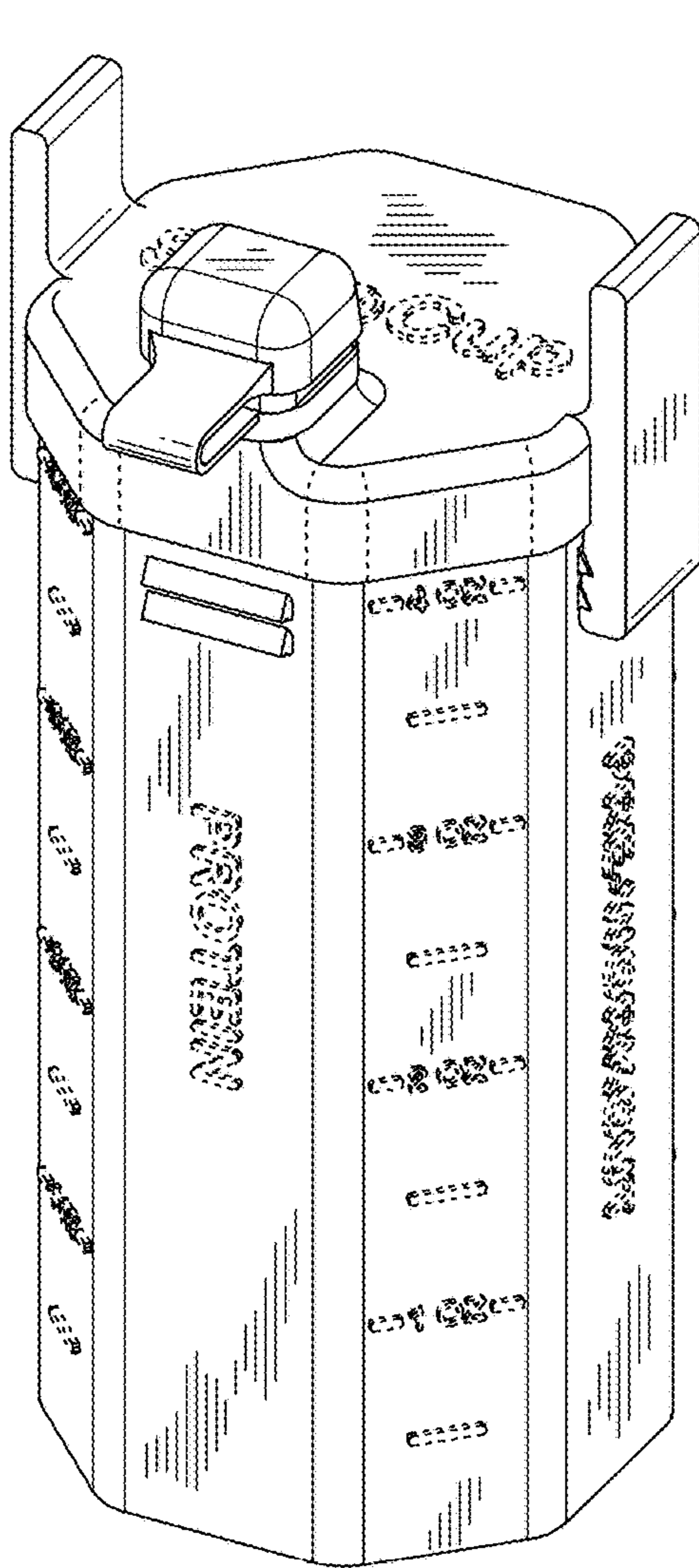


FIG. 2

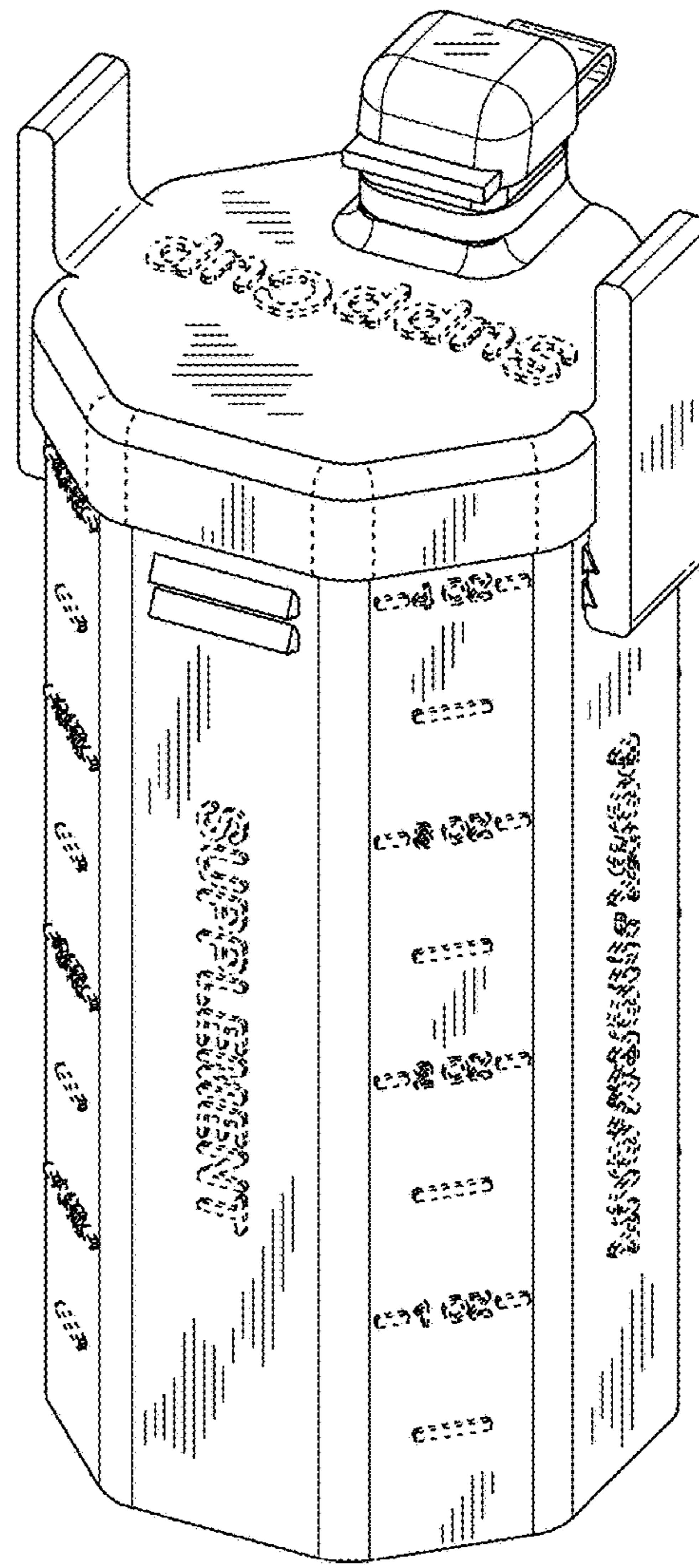


FIG. 3

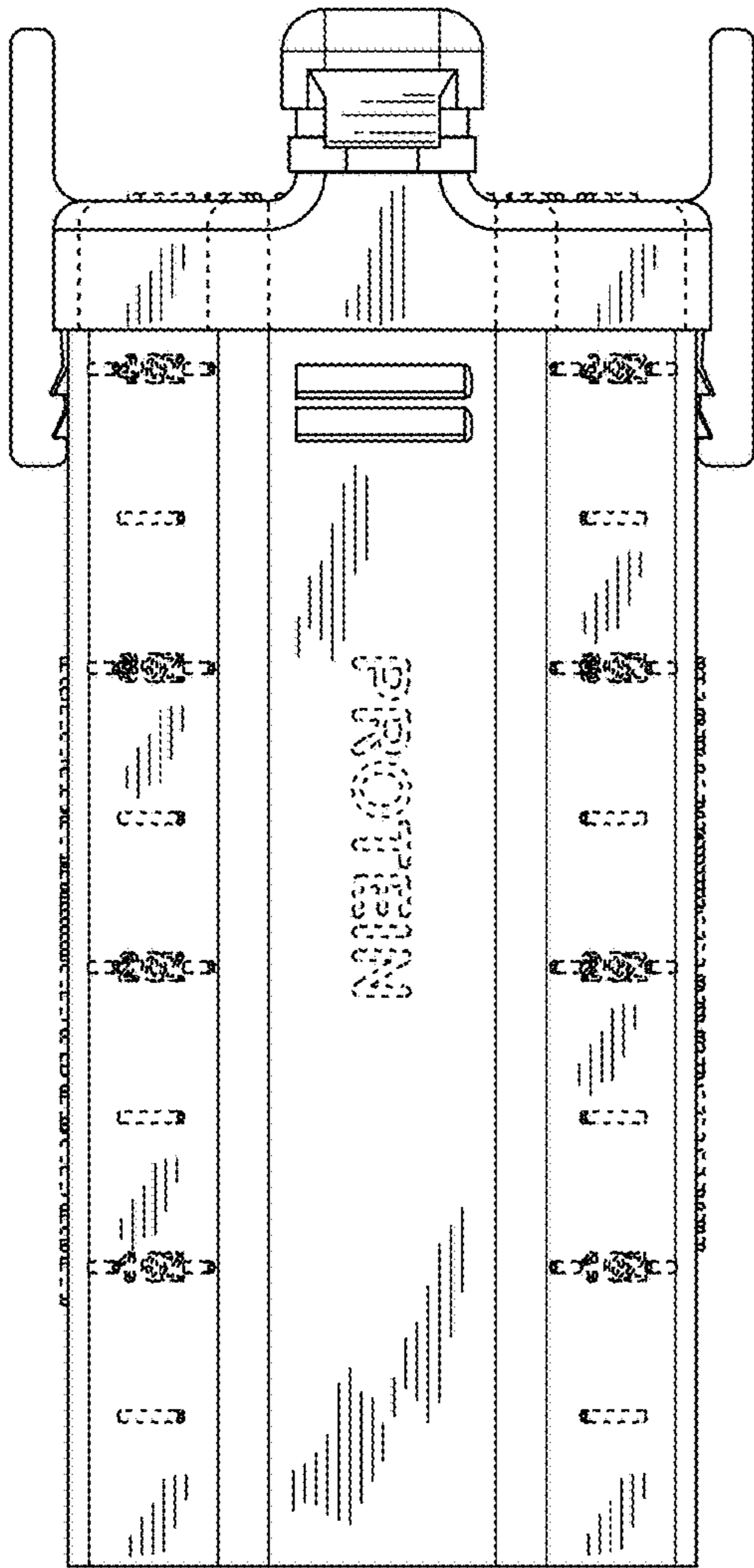


FIG. 4

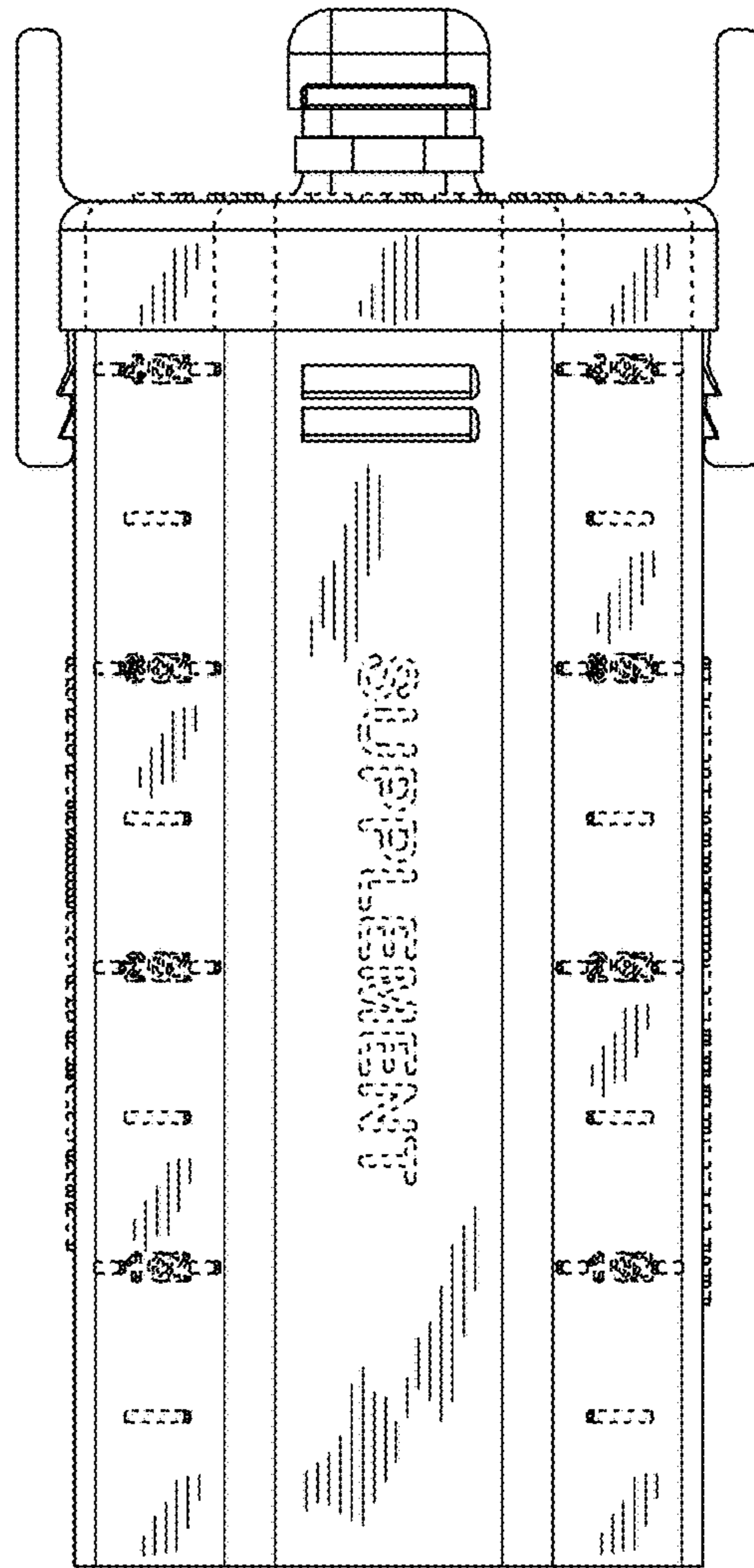


FIG. 5

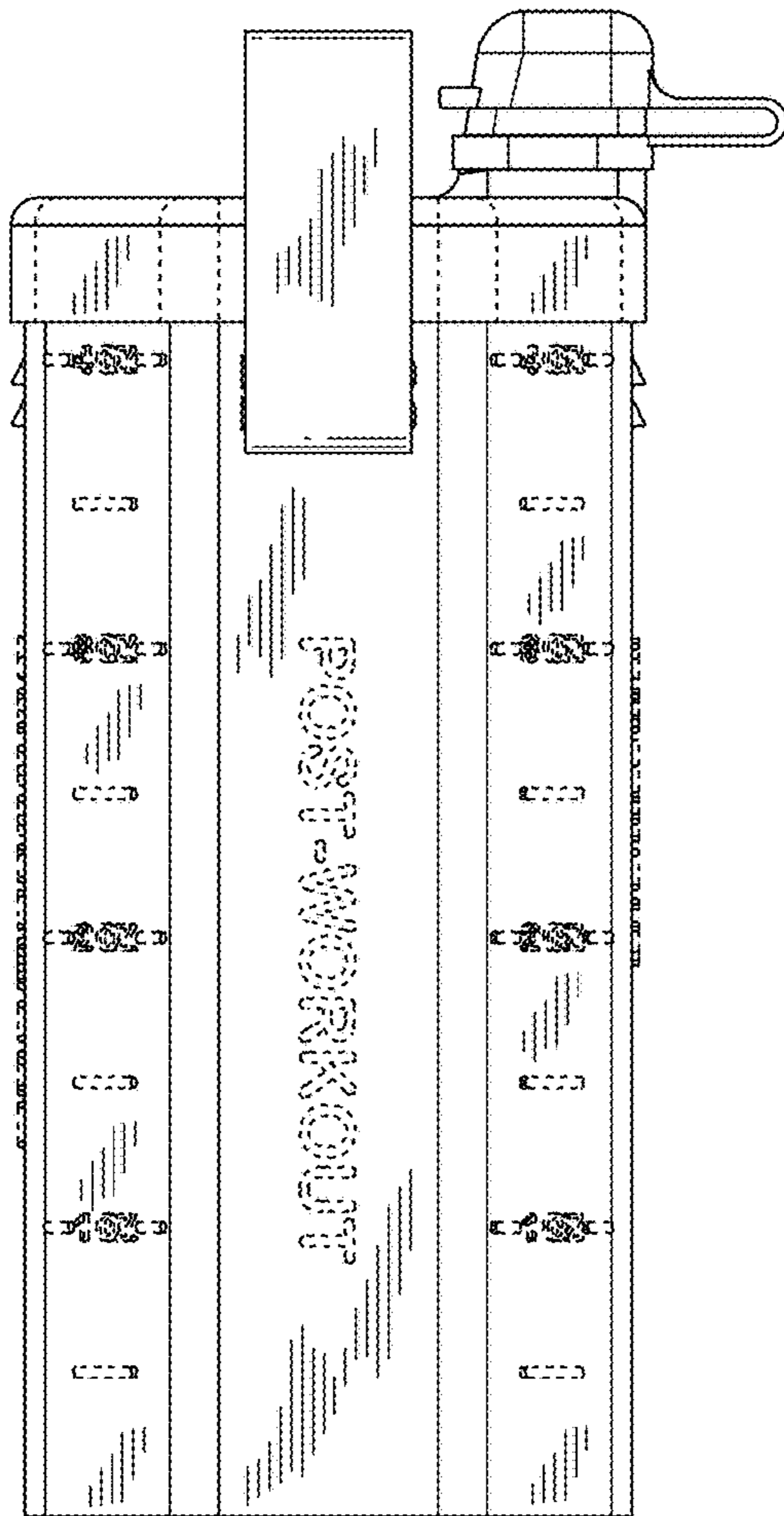


FIG. 6

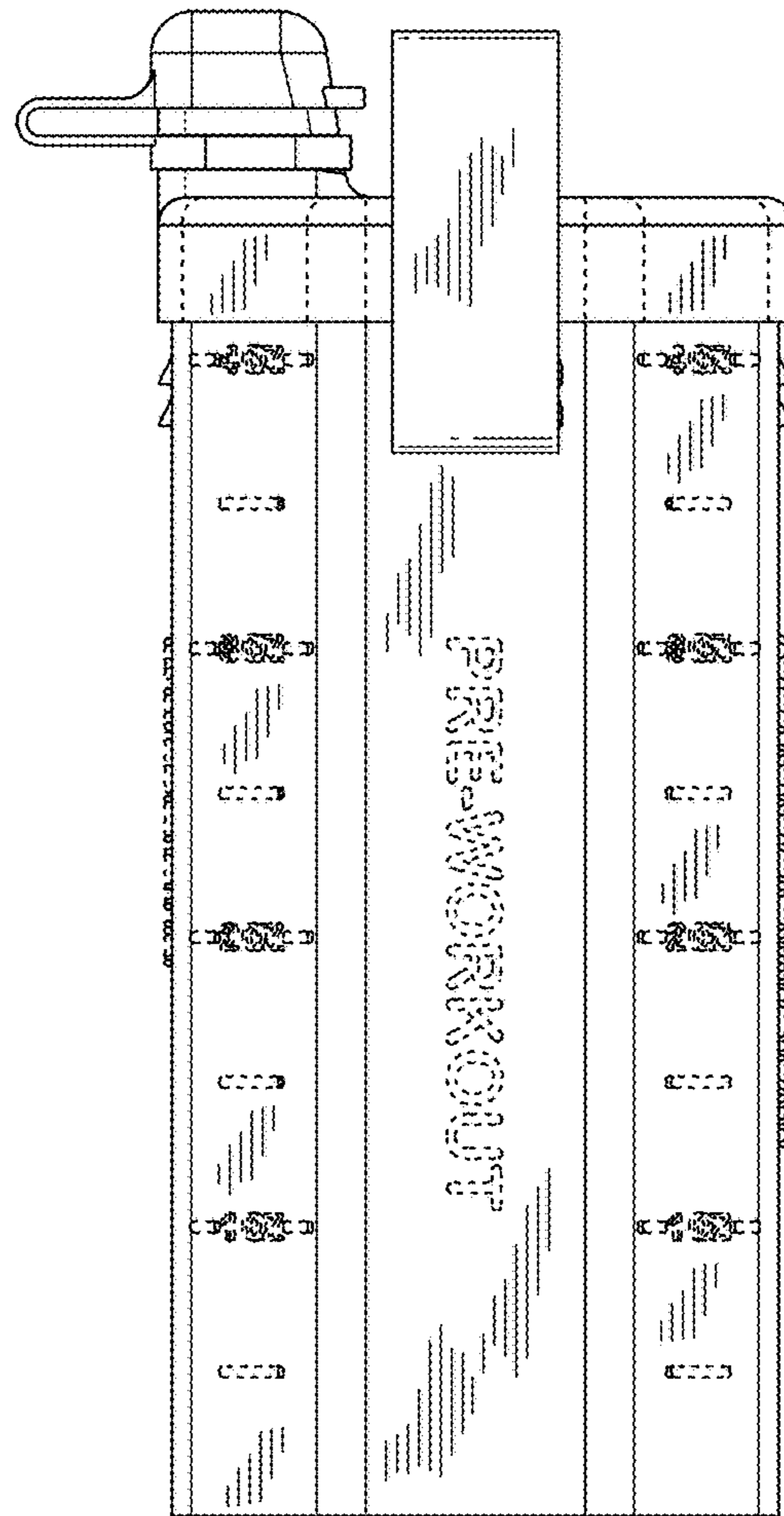


FIG. 7

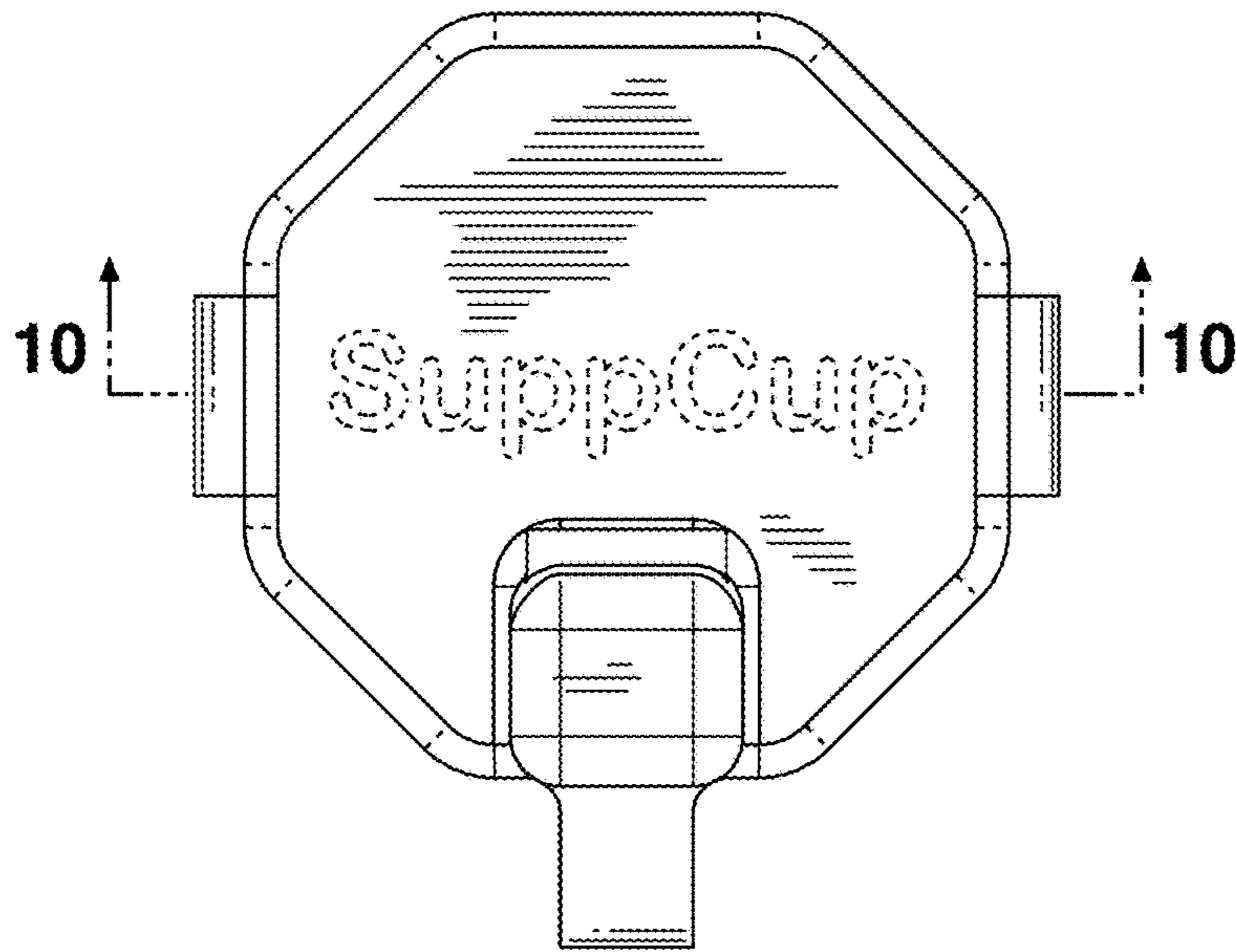


FIG. 8

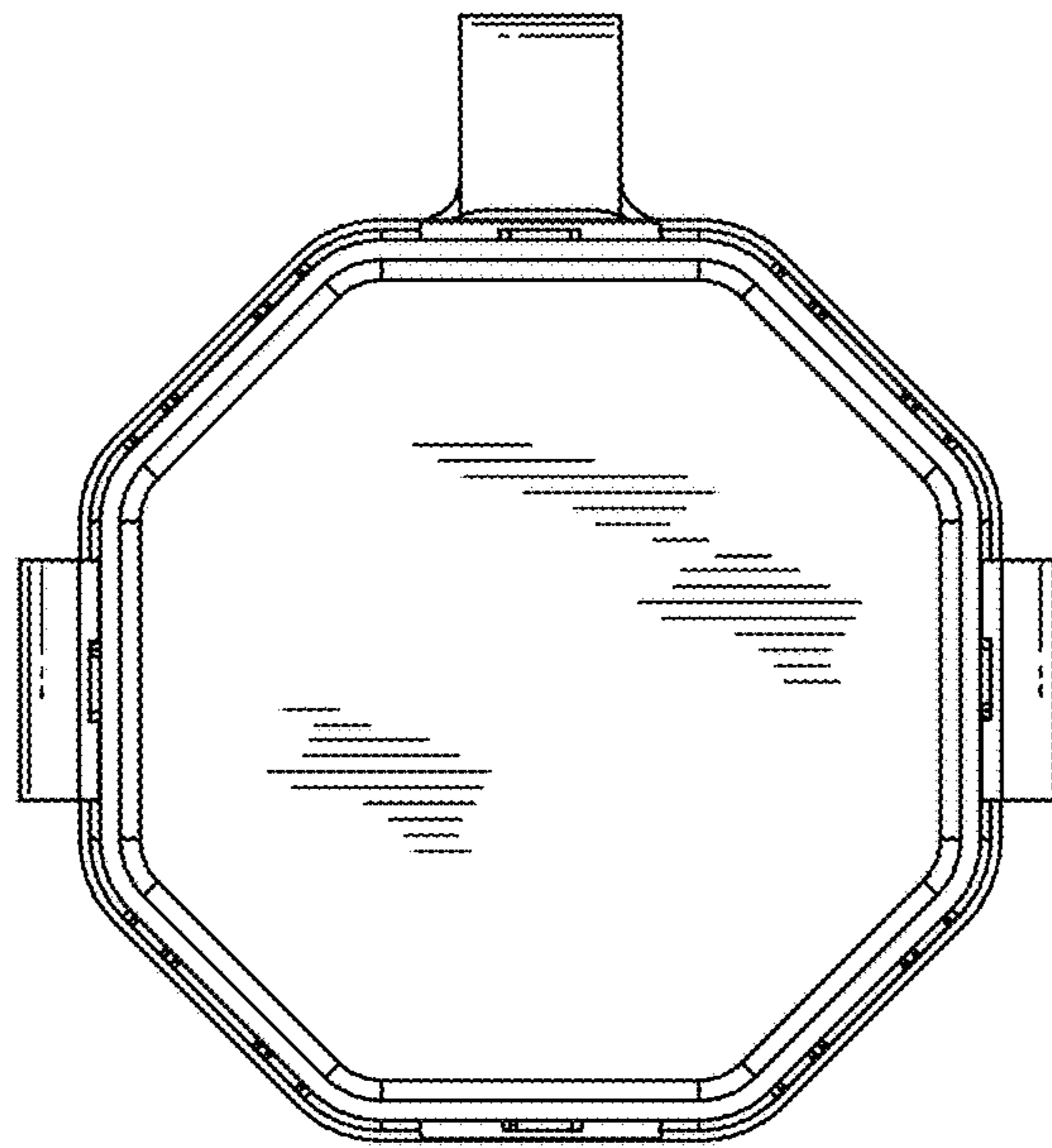


FIG. 9

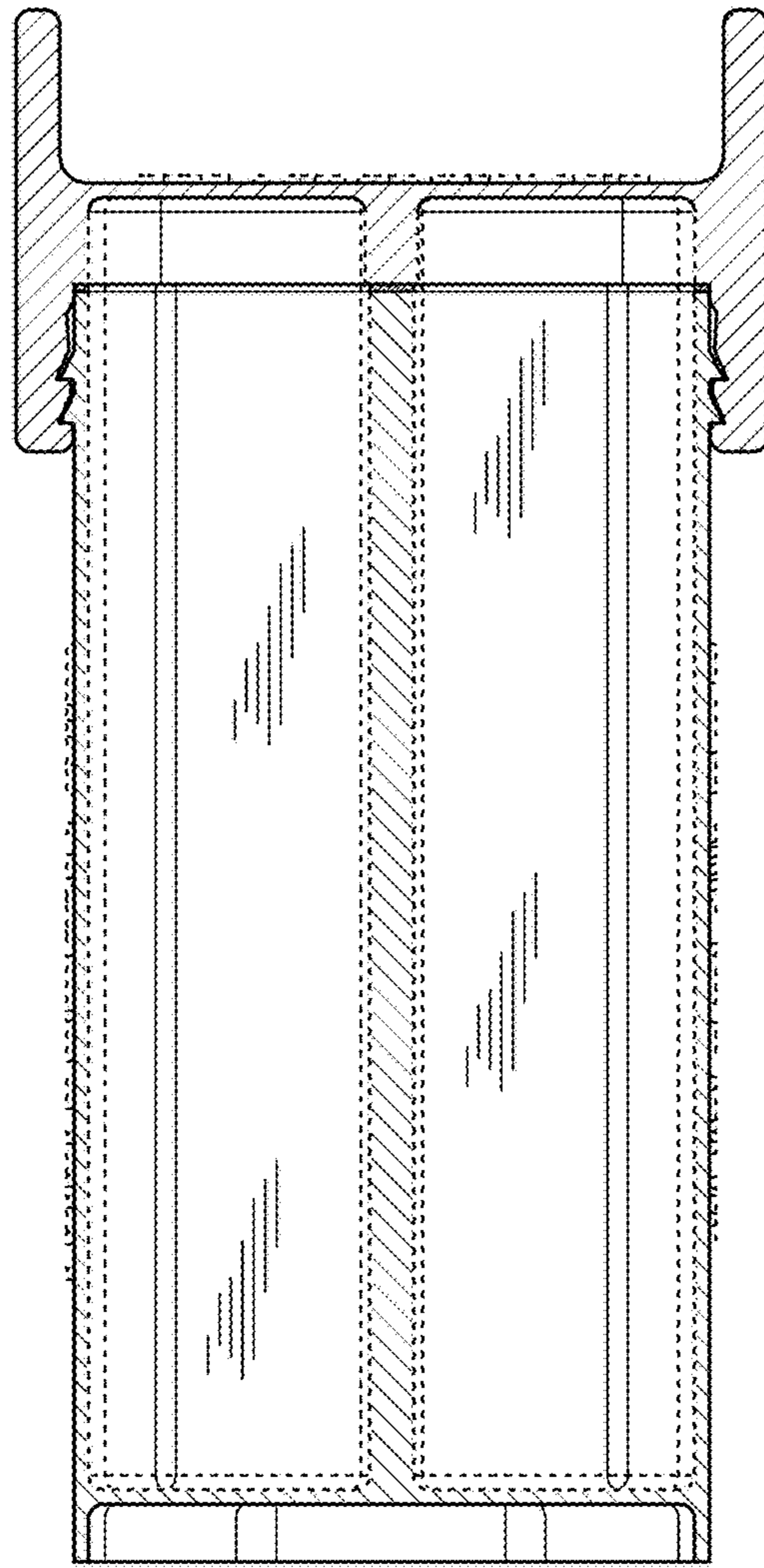


FIG. 10

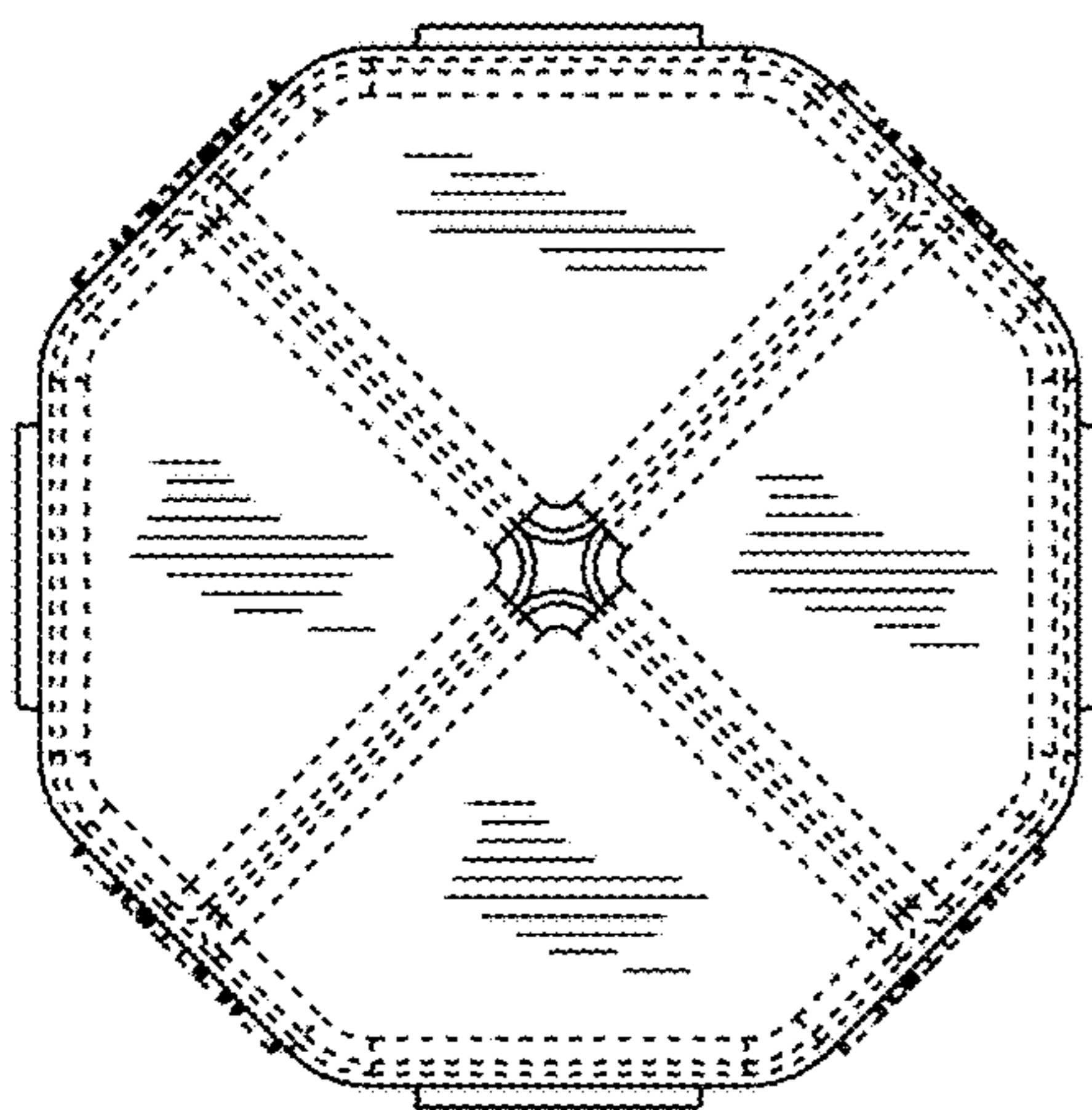


FIG. 11

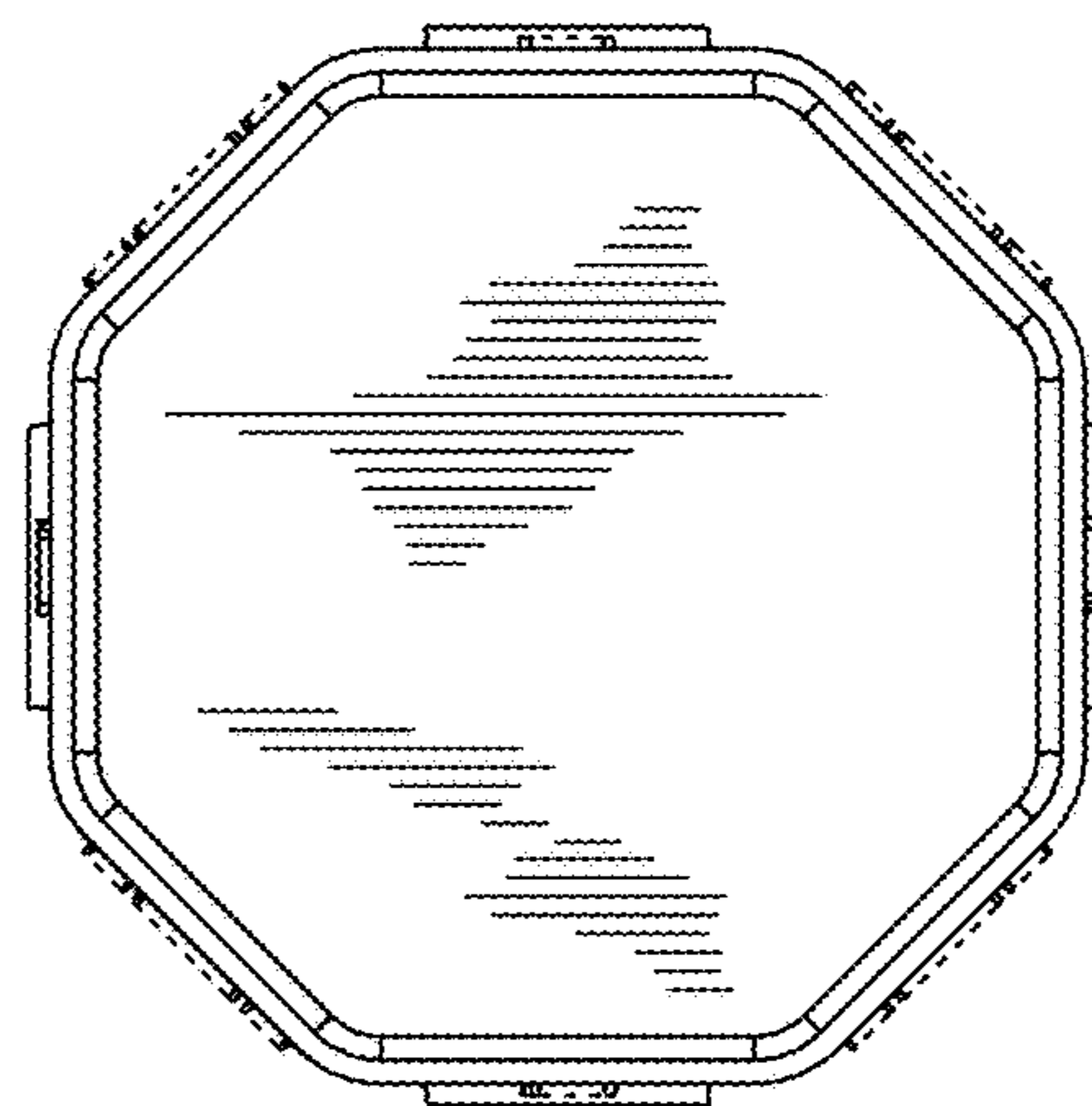


FIG. 12

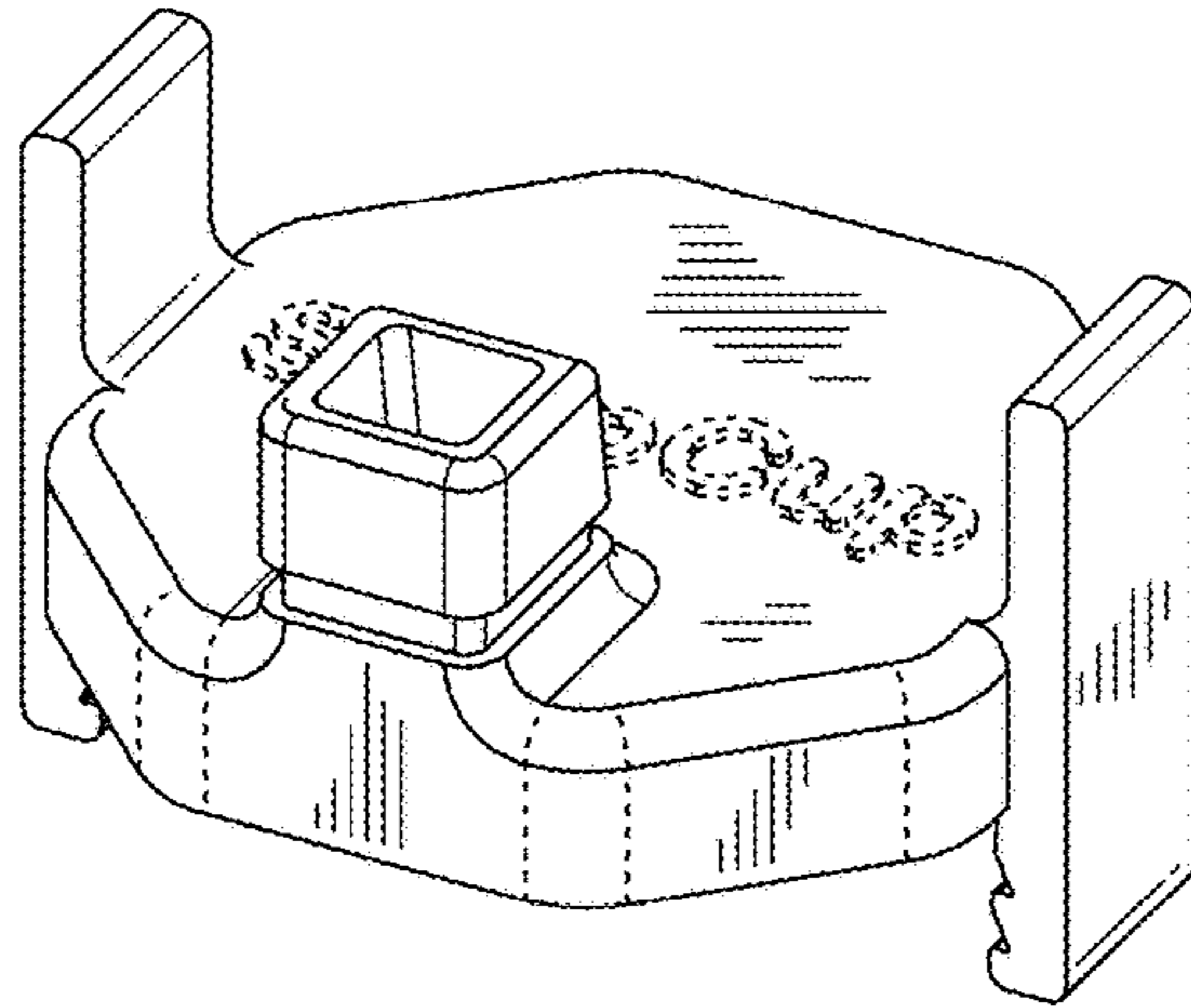


FIG. 13

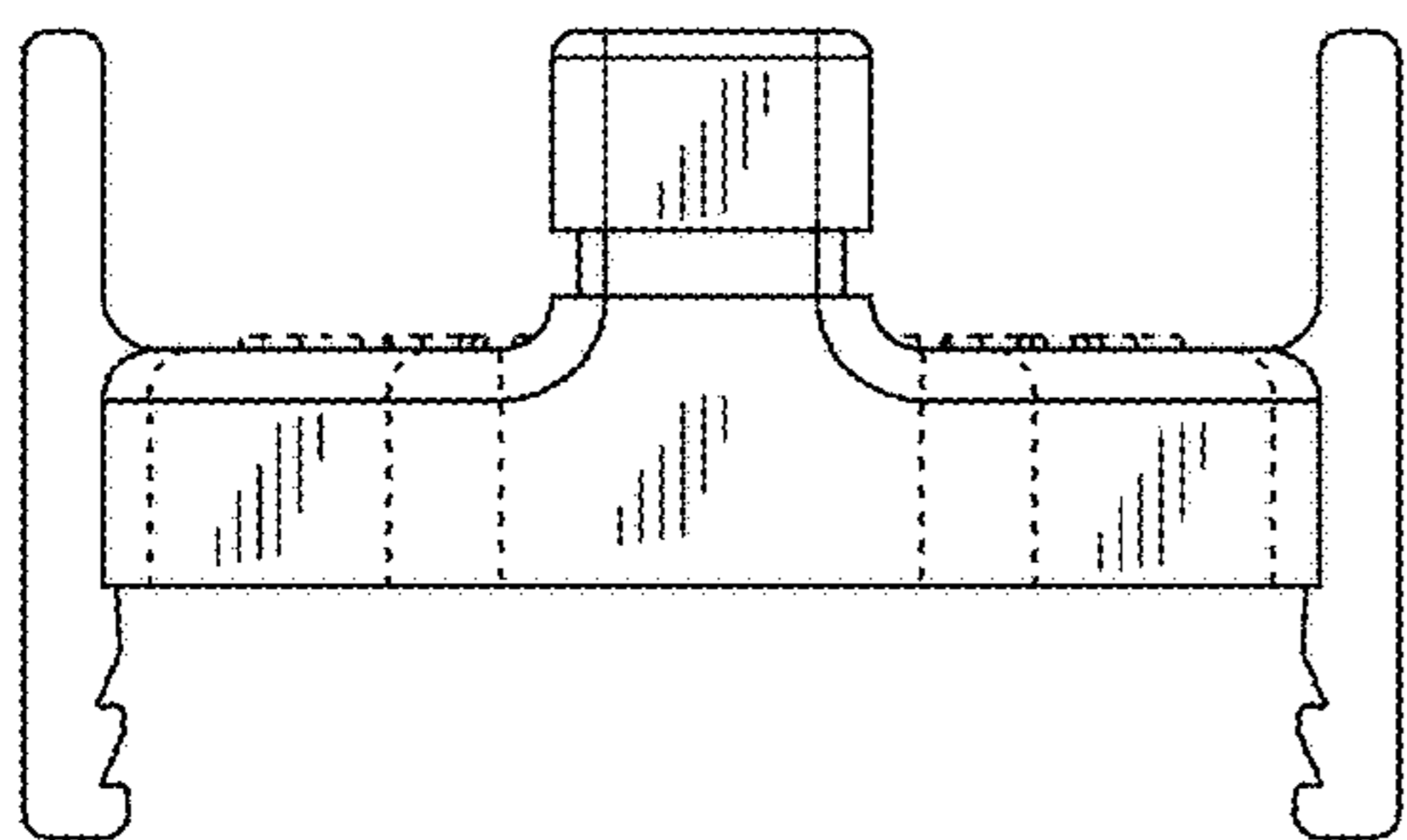


FIG. 14

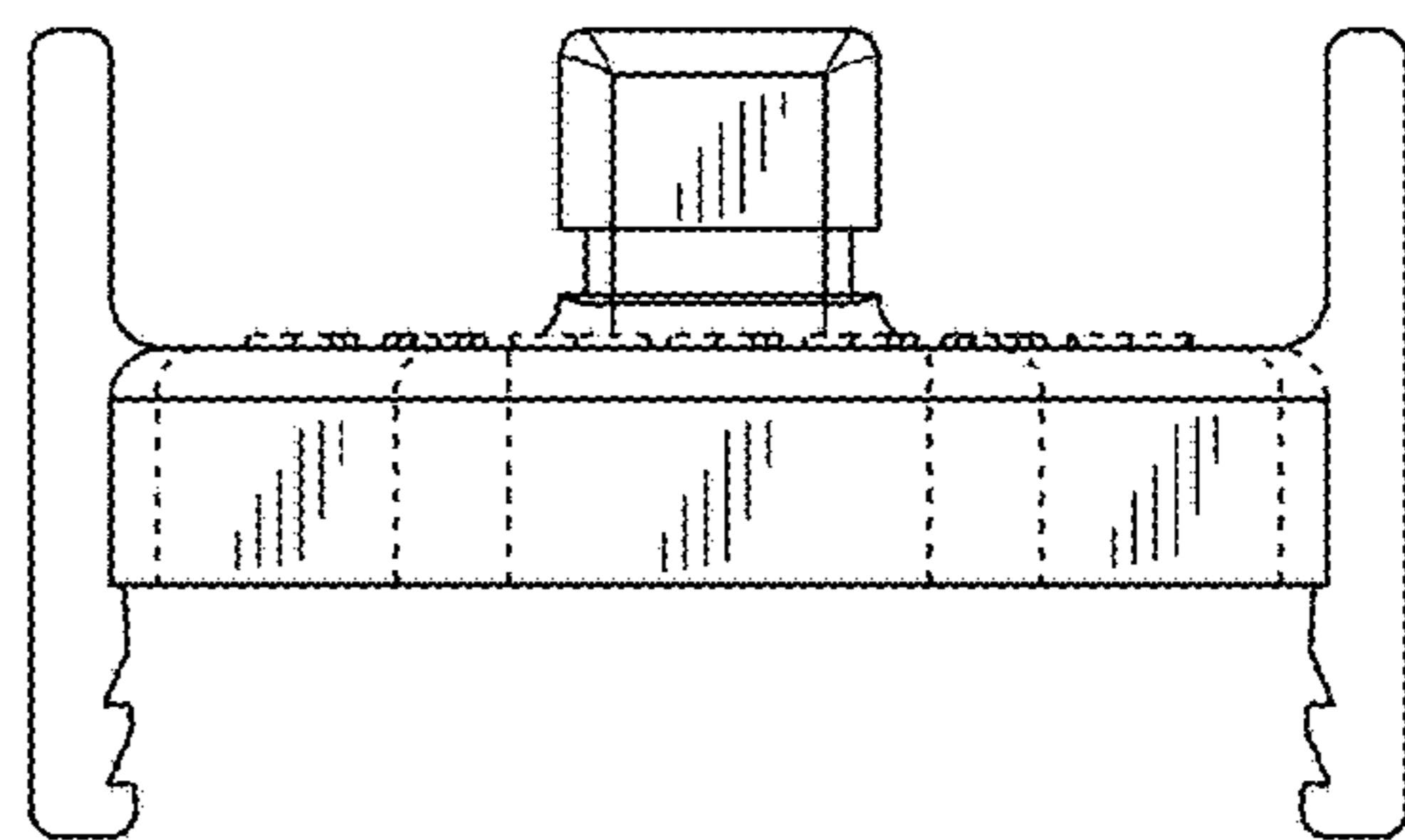


FIG. 15

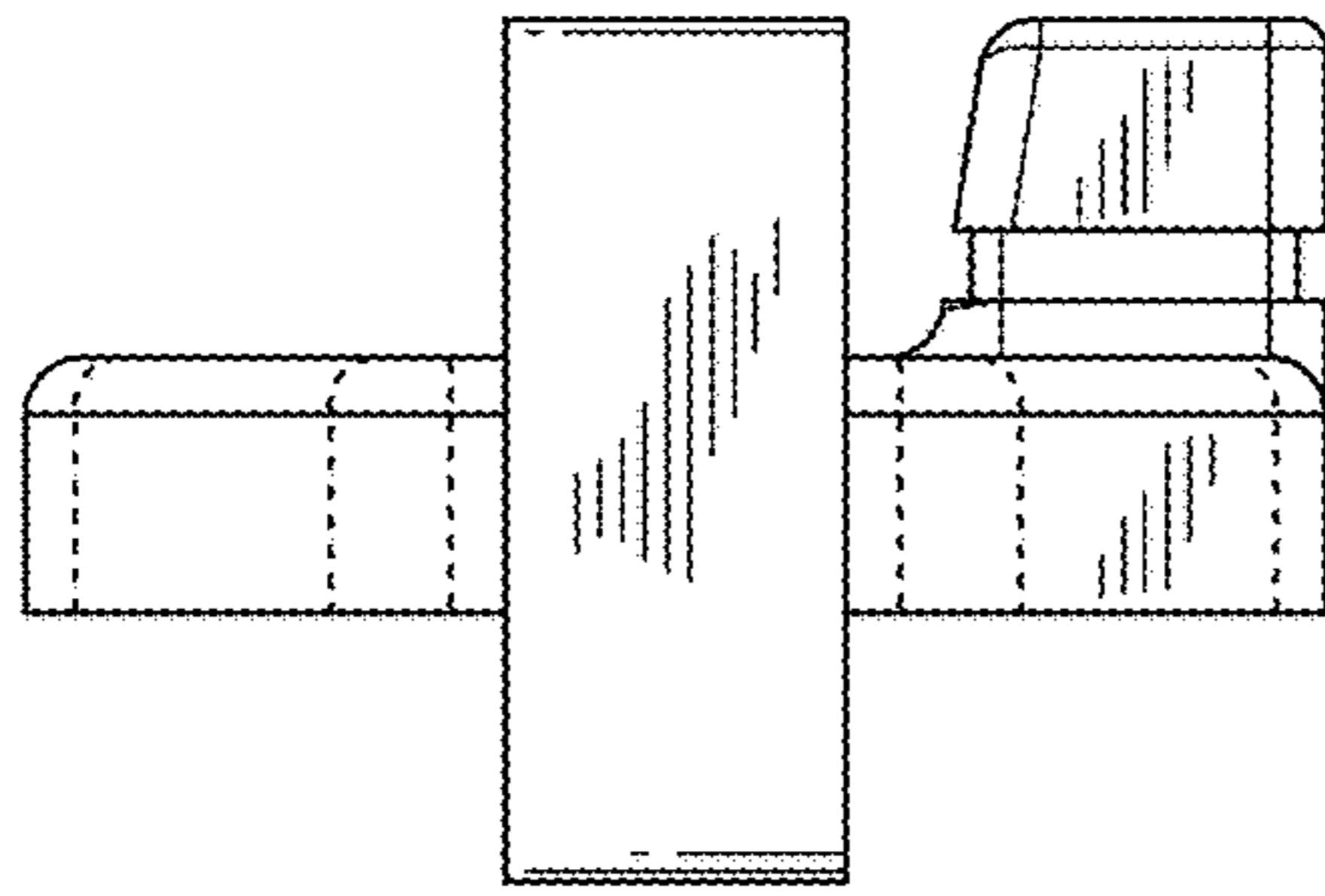


FIG. 16

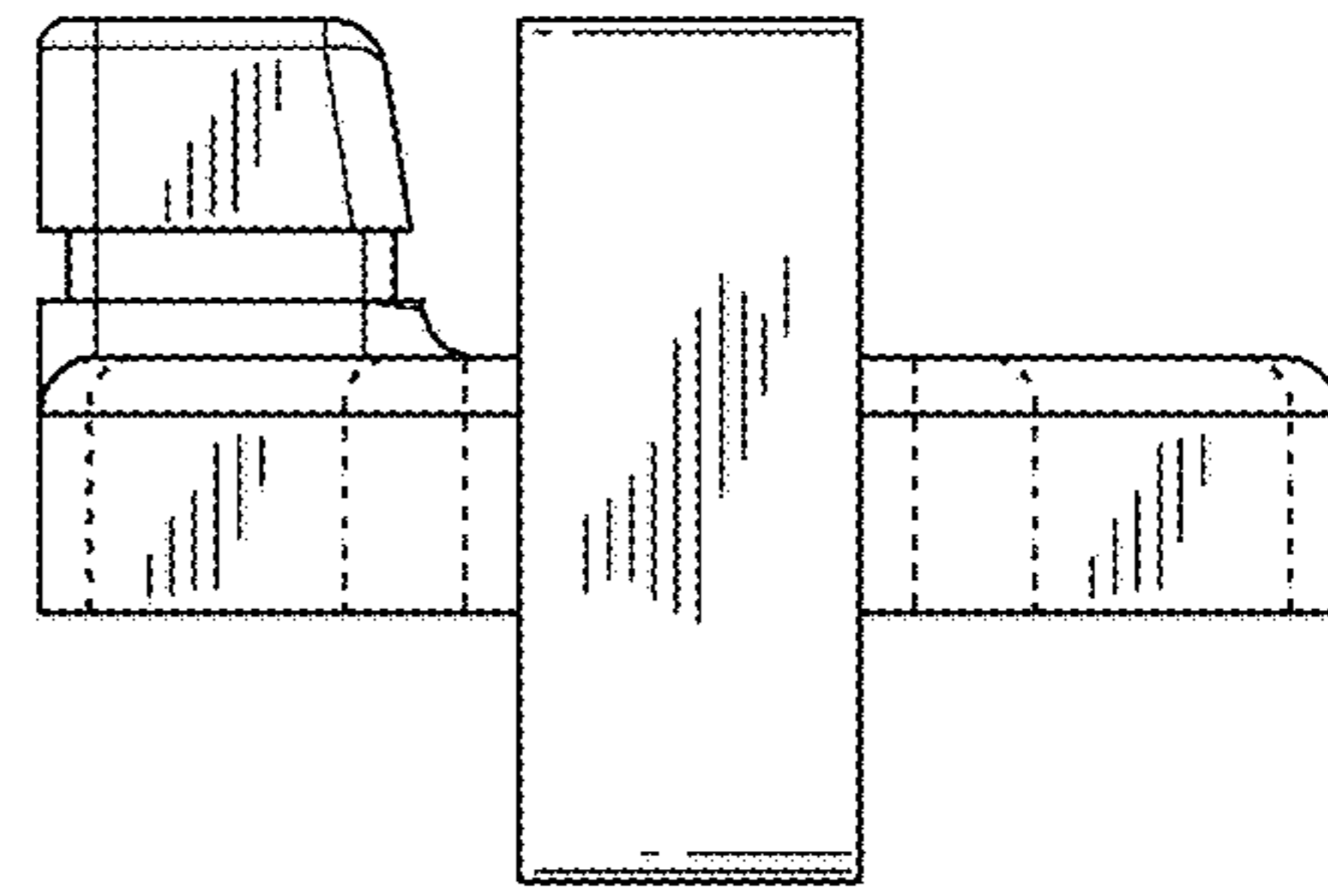


FIG. 17

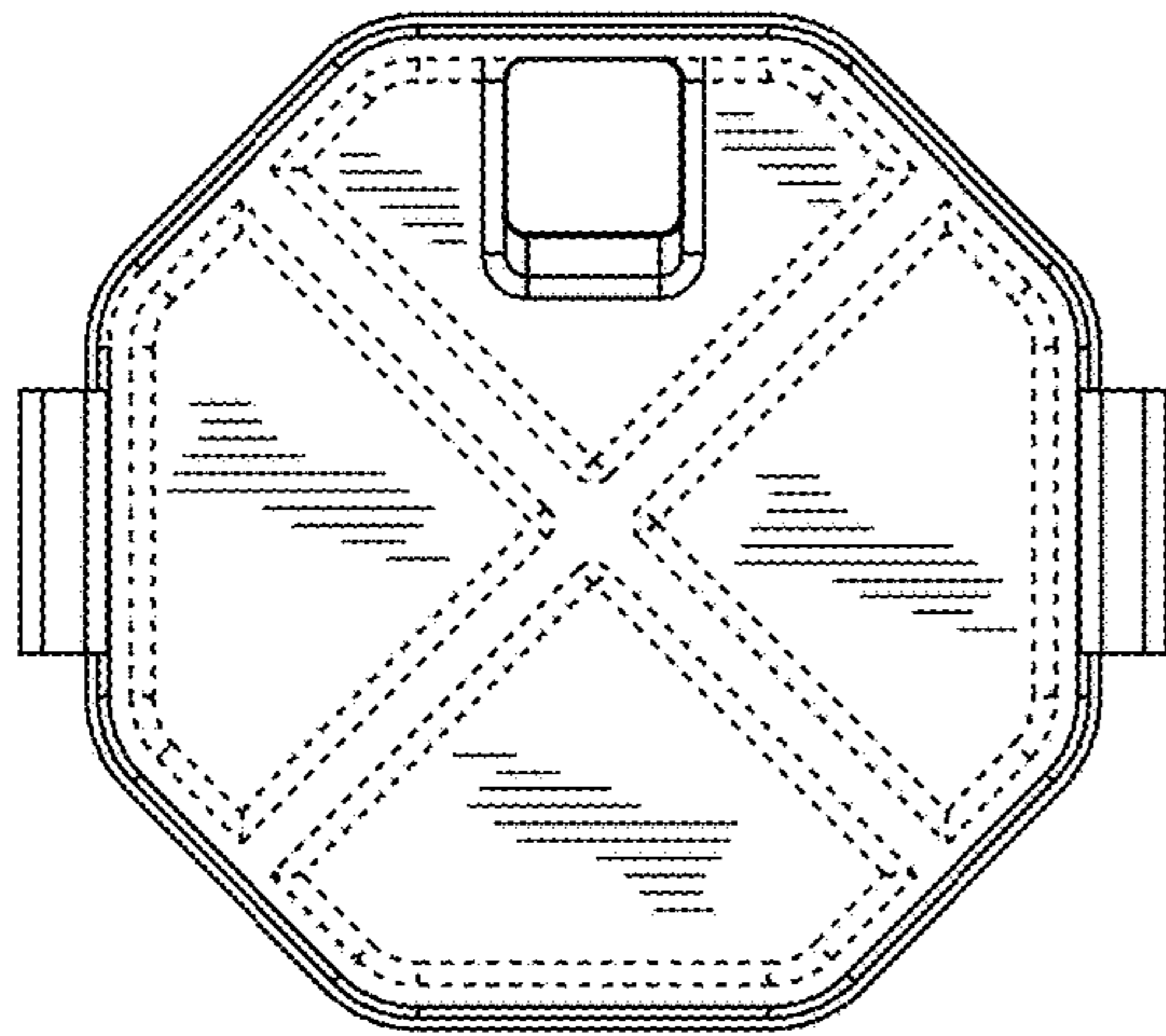


FIG. 18

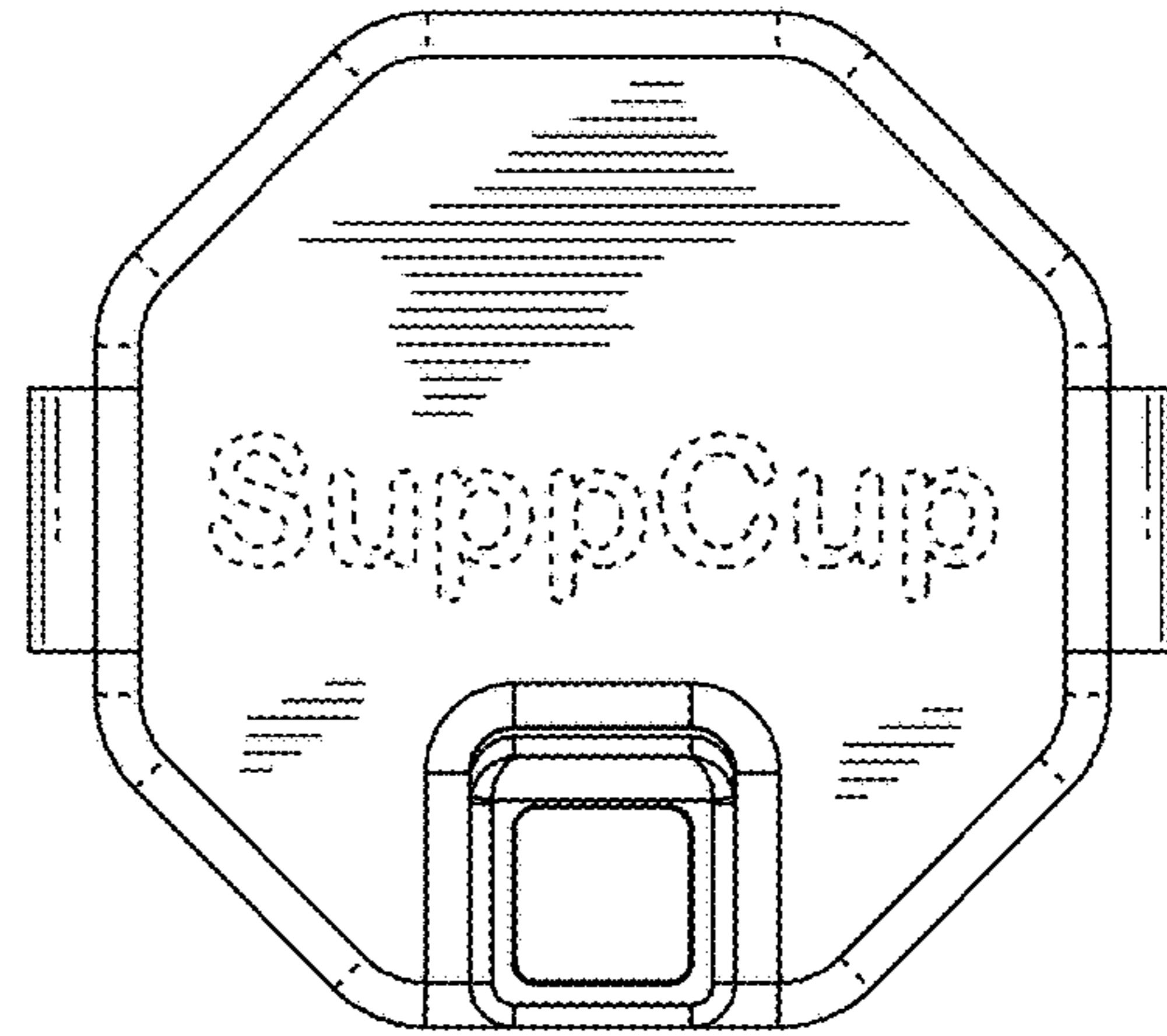


FIG. 19